



US00D877360S

(12) **United States Design Patent**
Erb et al.

(10) **Patent No.:** **US D877,360 S**
(45) **Date of Patent:** **** Mar. 3, 2020**

(54) **LABORATORY APPARATUS**

(71) Applicant: **TECAN TRADING AG**, Mannedorf
(CH)

(72) Inventors: **Dominic Erb**, Winterthur (CH);
Christophe Apotheloz, Gockhausen
(CH)

(73) Assignee: **TECAN TRADING AG**, Mannedorf
(CH)

(**) Term: **15 Years**

(21) Appl. No.: **29/630,328**

(22) Filed: **Dec. 20, 2017**

(30) **Foreign Application Priority Data**

Jun. 27, 2017 (CH) 143348

(51) **LOC (12) Cl.** **24-01**

(52) **U.S. Cl.**
USPC **D24/232**

(58) **Field of Classification Search**
USPC D24/107, 169, 185, 186, 216-219,
D24/231-234; D10/81
CPC G01N 2035/00306; G01N 2035/00326;
G01N 2035/00336; G01N 2030/027;
G01N 21/76
See application file for complete search history.

(56) **References Cited**

U.S. PATENT DOCUMENTS

D472,645 S * 4/2003 Roepke D24/234
D682,440 S * 5/2013 Degn D24/216

D690,023 S * 9/2013 Chang D24/216
D691,283 S * 10/2013 Lee D24/234
D693,020 S * 11/2013 Degn D24/232
D716,966 S * 11/2014 Lizari Illarramendi D24/232
D787,695 S * 5/2017 Mottscheller D24/216
D802,156 S * 11/2017 Barton D24/216
2017/0269114 A1* 9/2017 Bryant G01N 35/04

* cited by examiner

Primary Examiner — Anhdao Doan

(74) *Attorney, Agent, or Firm* — Notaro, Michalos &
Zaccaria P.C.

(57) **CLAIM**

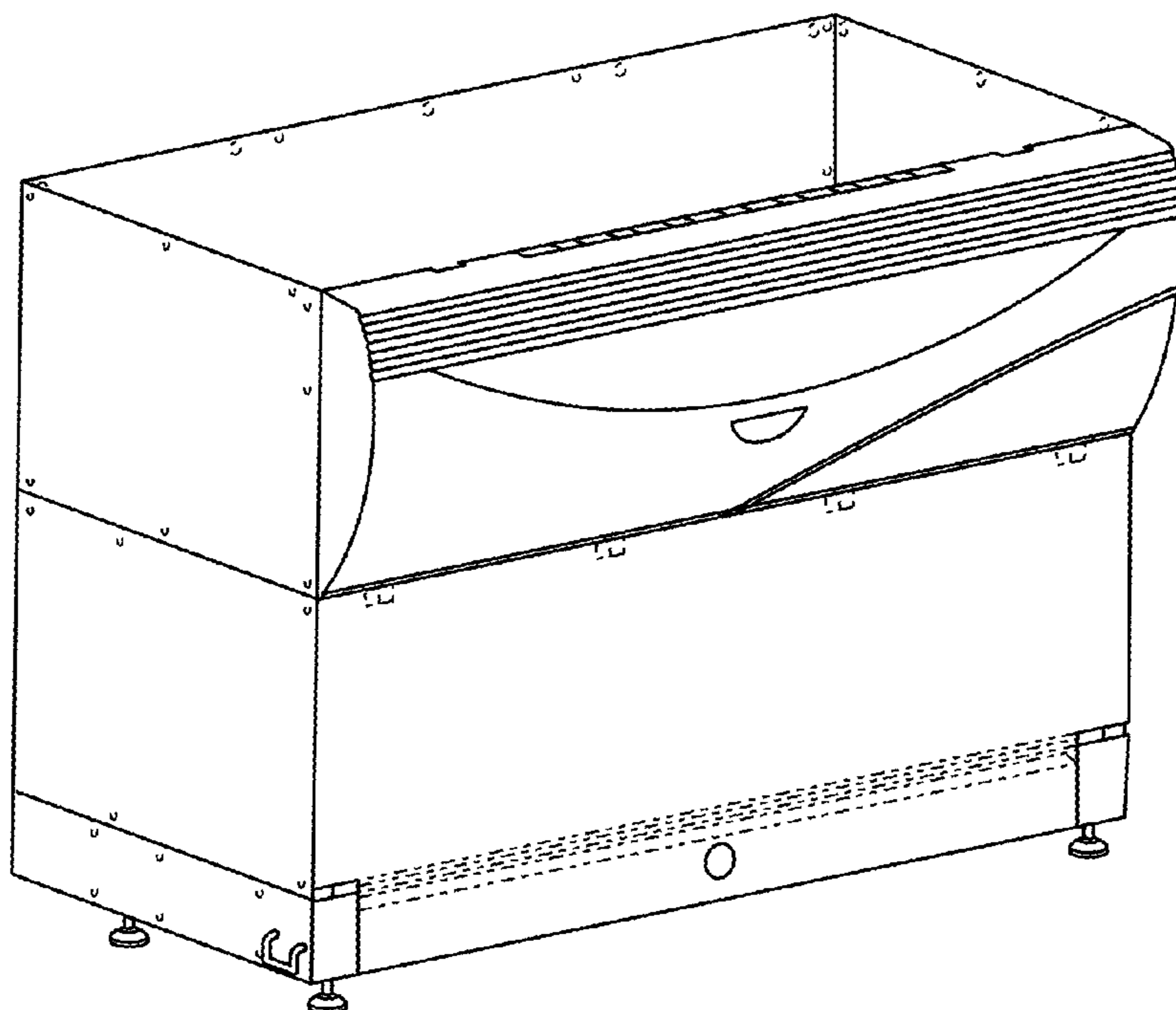
The ornamental design for a laboratory apparatus, as shown and described.

DESCRIPTION

FIG. 1 is a front, left, top perspective view of a laboratory apparatus showing our design therefor; FIG. 2 is a top perspective view thereof; FIG. 3 is a front elevational view thereof; FIG. 4 is a back elevational view thereof; FIG. 5 is a left side elevational view thereof; FIG. 6 is a right side elevational view thereof; FIG. 7 is a top plan view thereof; and, FIG. 8 is a bottom plan view thereof.

The broken lines represent portions of the laboratory apparatus that form no part of the claimed design.

1 Claim, 8 Drawing Sheets



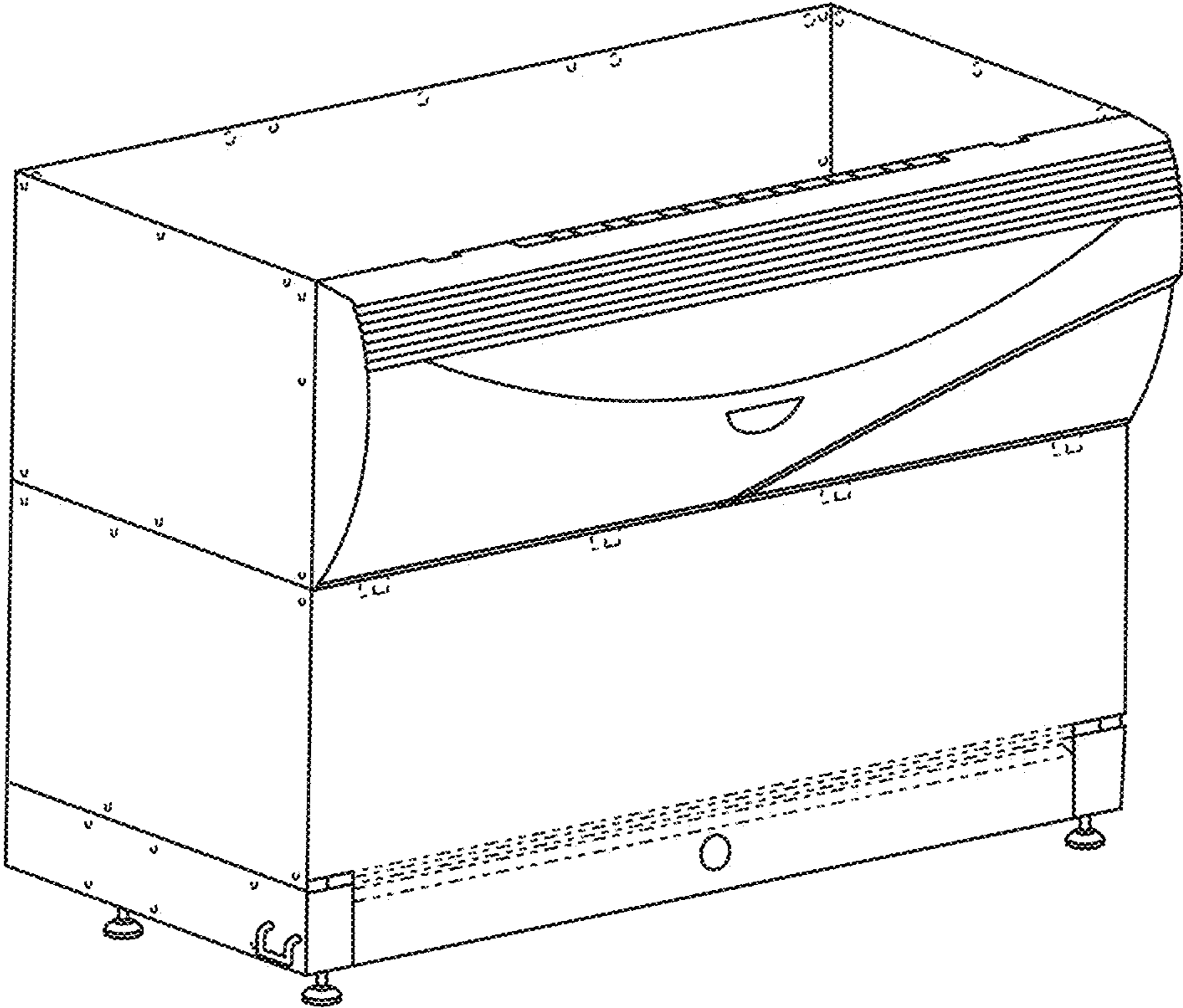


FIG. 1

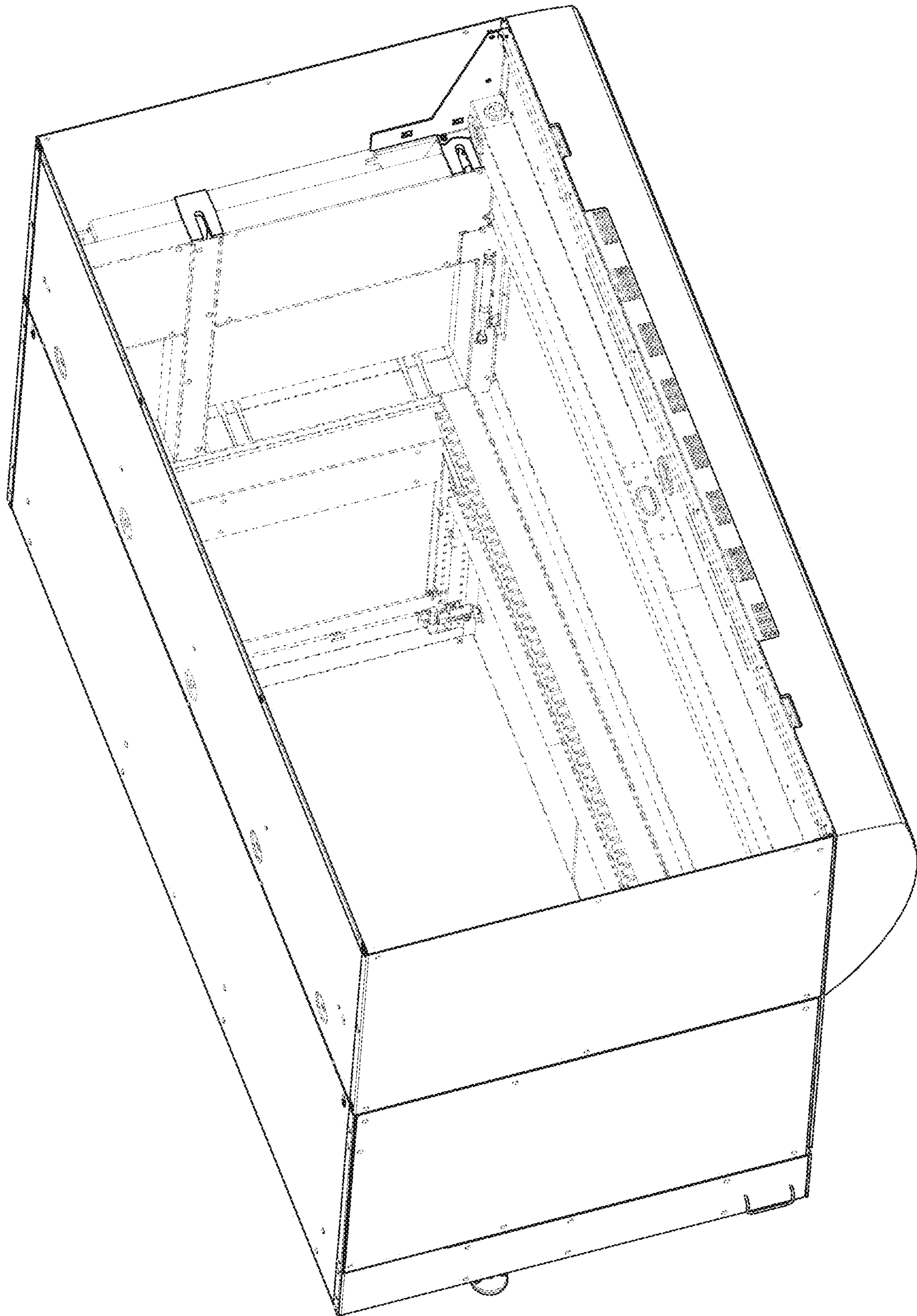


FIG. 2

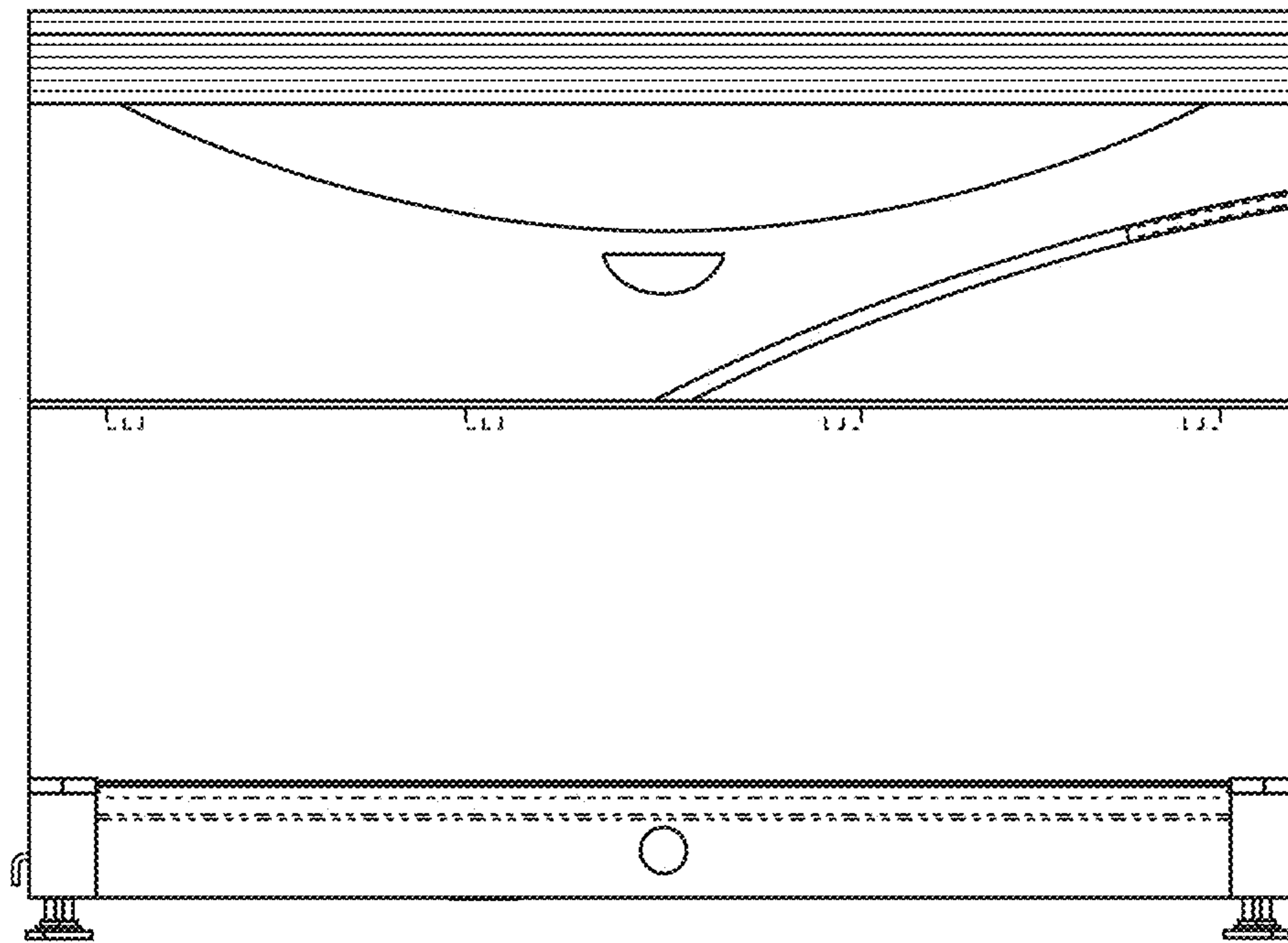


FIG. 3

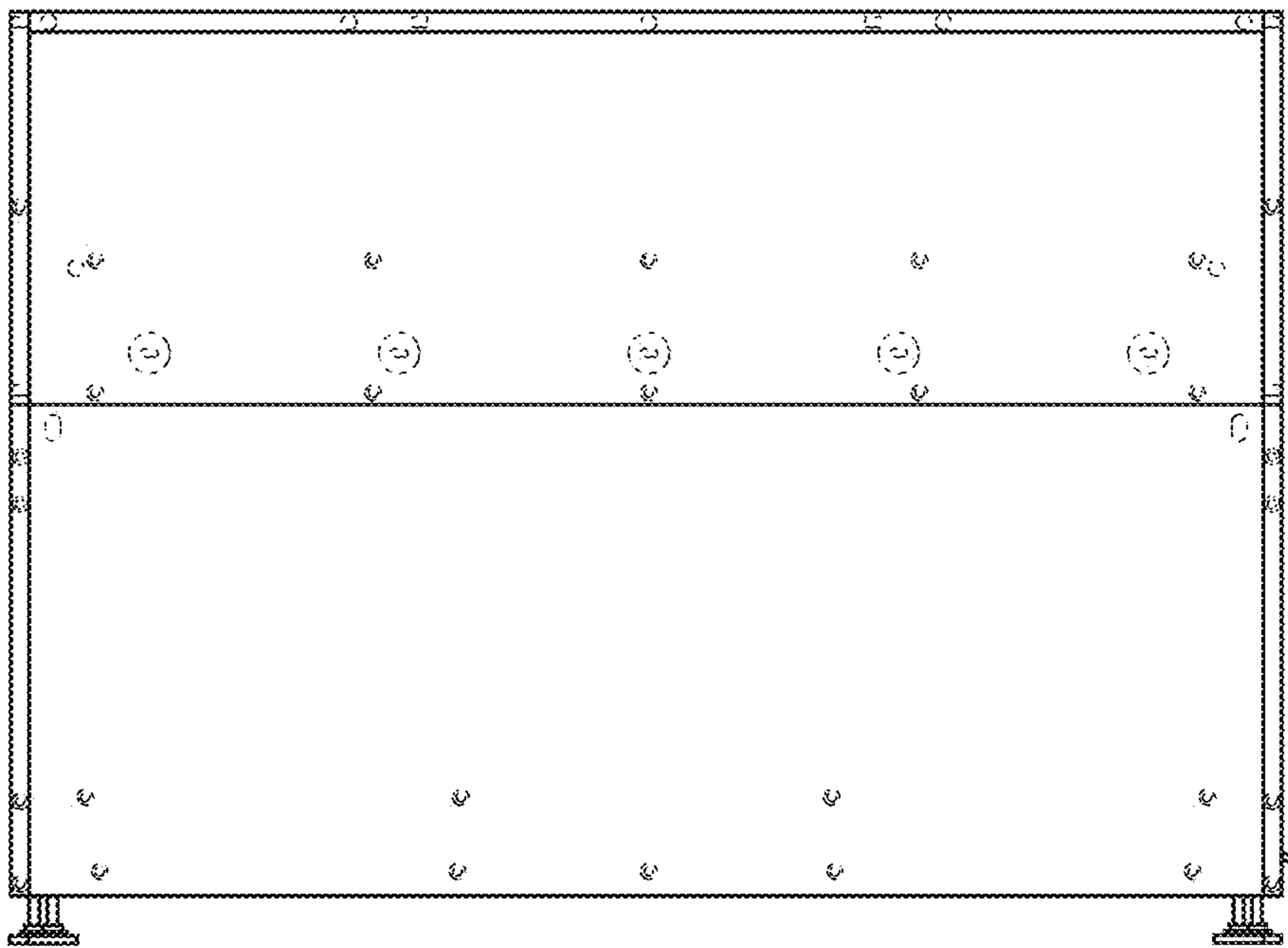


FIG. 4

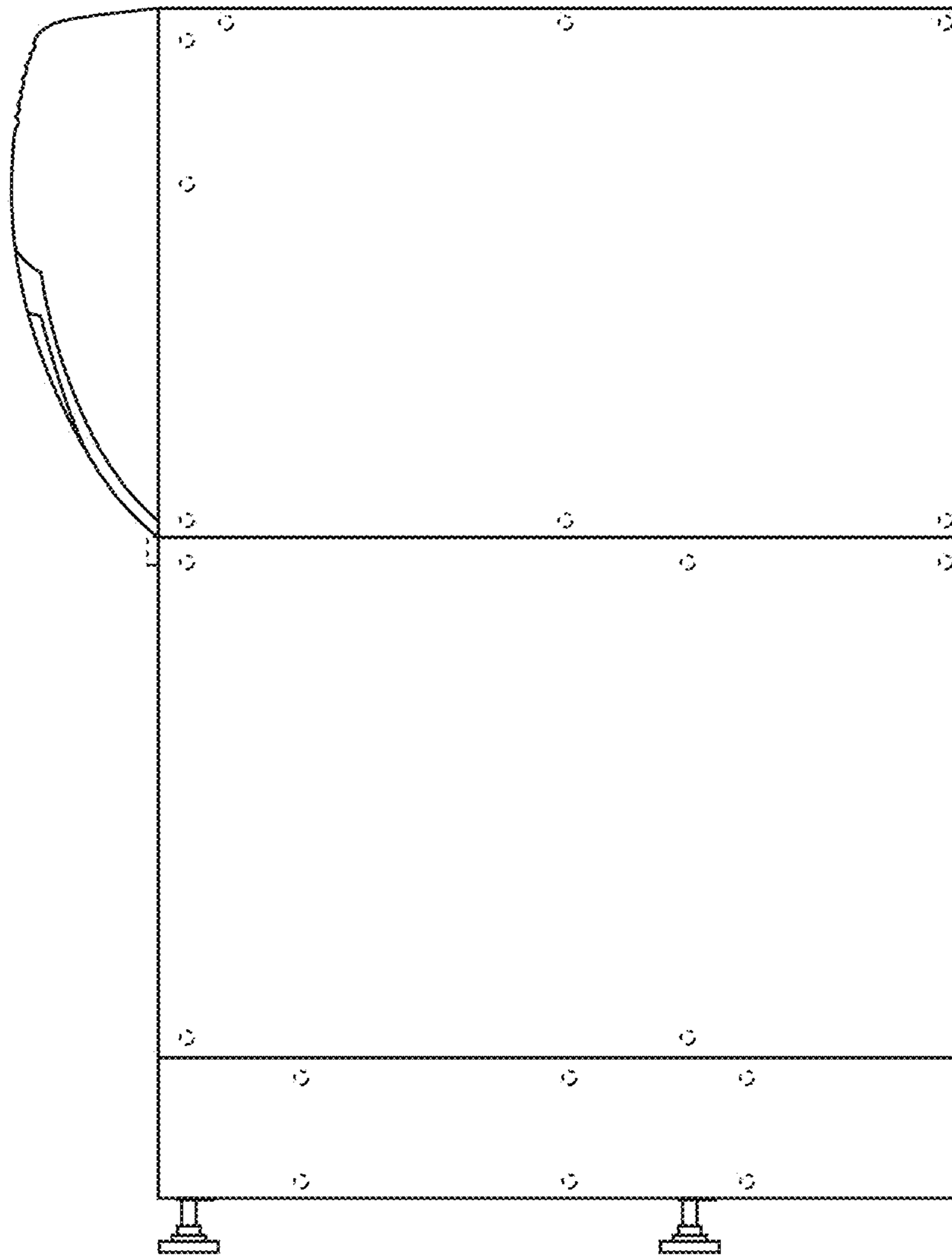


FIG. 5

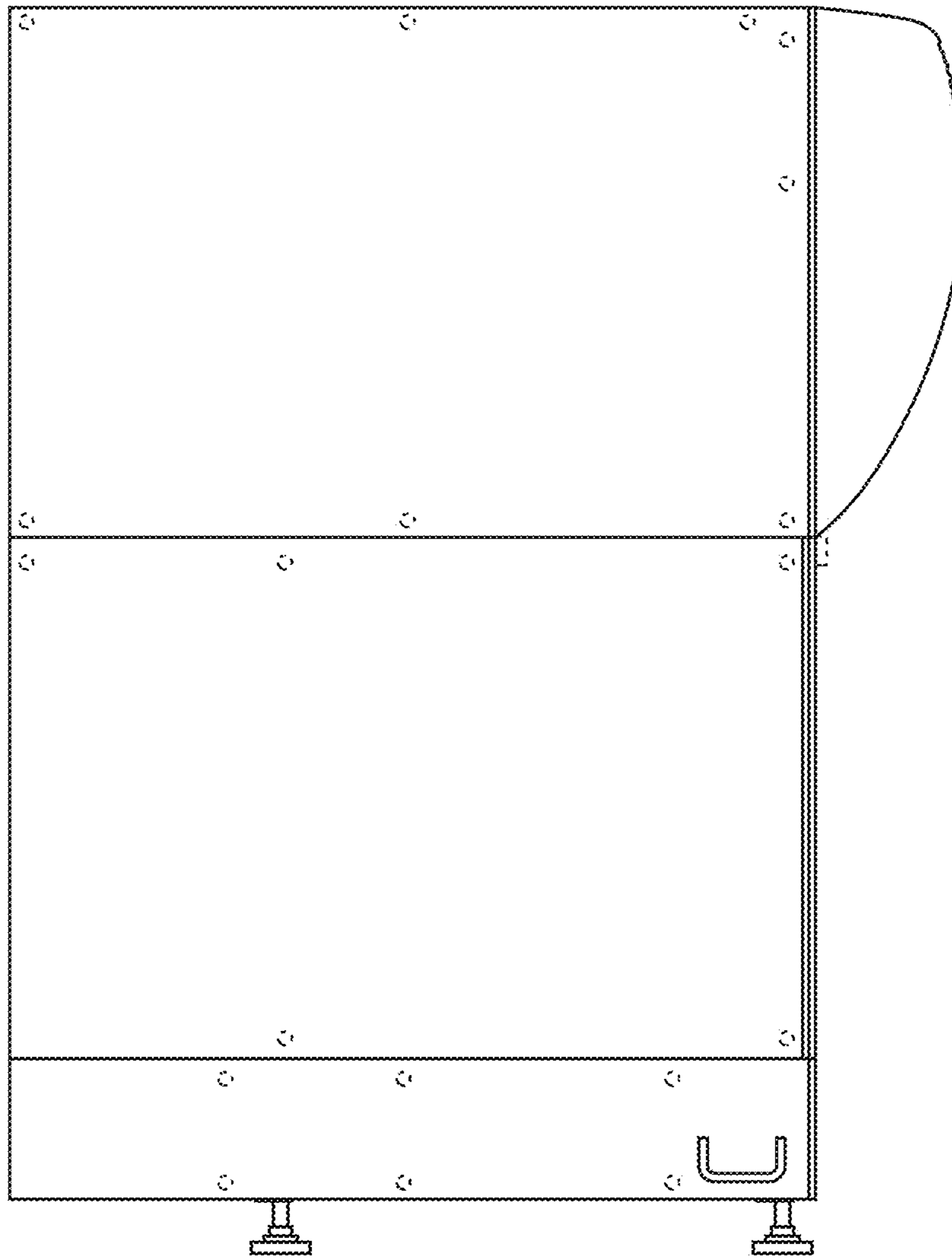


FIG. 6

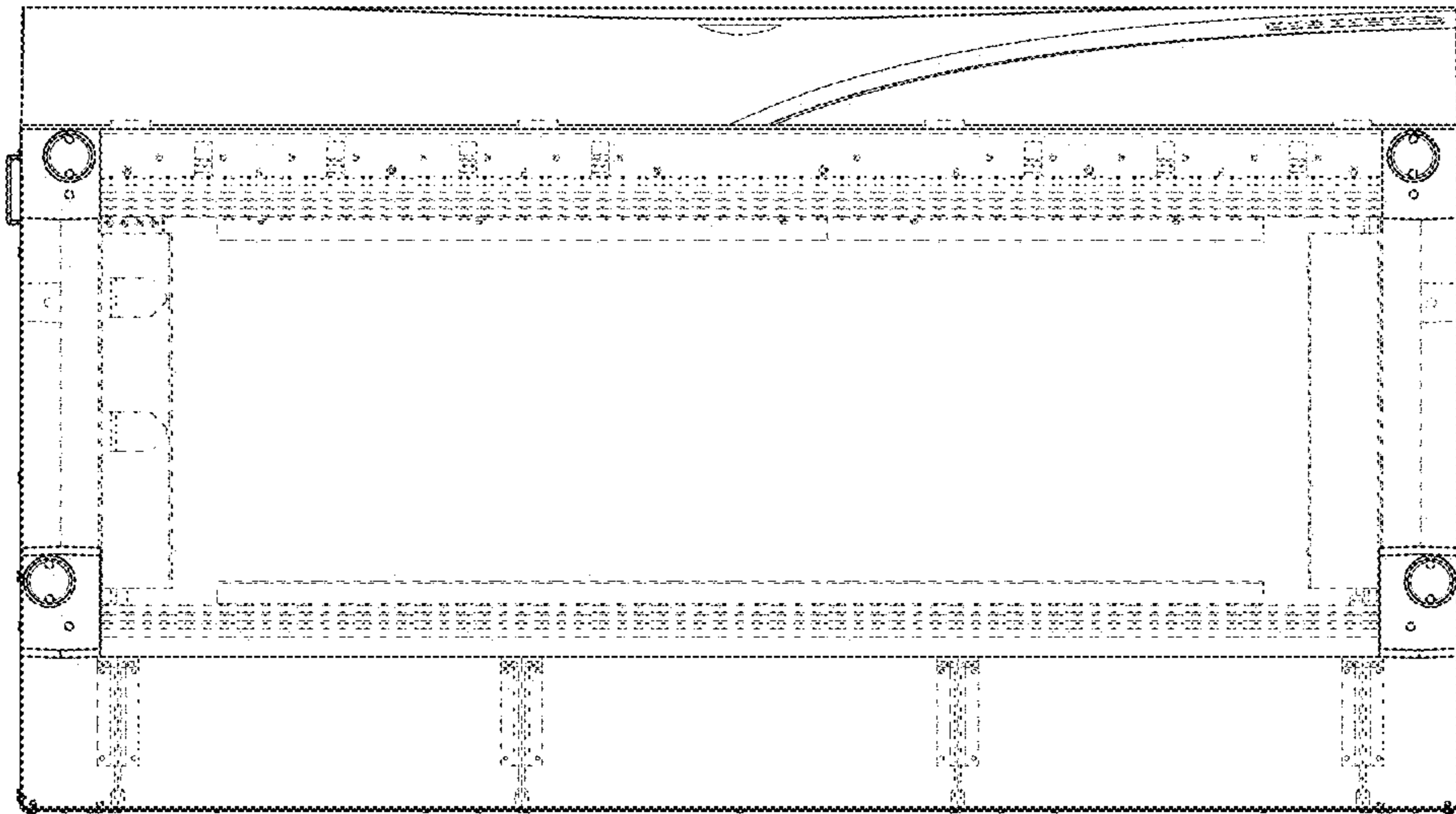


FIG. 7

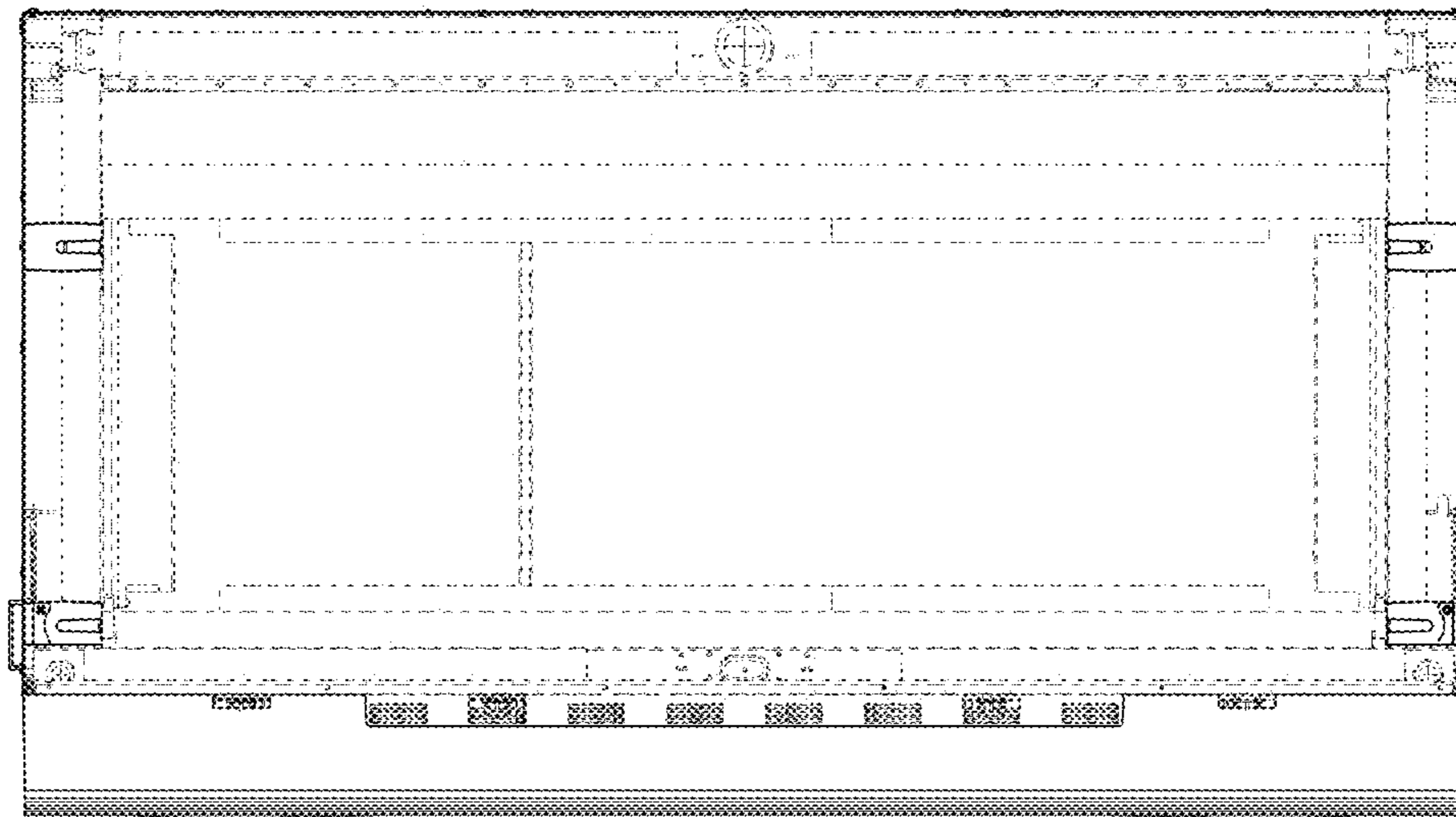


FIG. 8