



US00D877359S

(12) **United States Design Patent** (10) **Patent No.:** **US D877,359 S**
Eberle (45) **Date of Patent:** **** Mar. 3, 2020**

(54) **MEDICAL INSTRUMENT**

(71) Applicant: **ANDREAS HETTICH GMBH & CO. KG**, Tuttlingen (DE)

(72) Inventor: **Klaus-Guenter Eberle**, Tuttlingen (DE)

(73) Assignee: **ANDREAS HETTICH GMBH & CO. KG**, Tuttlingen (DE)

(**) Term: **15 Years**

(21) Appl. No.: **29/667,921**

(22) Filed: **Oct. 25, 2018**

Related U.S. Application Data

(62) Division of application No. 29/600,656, filed on Apr. 13, 2017.

Foreign Application Priority Data

Oct. 14, 2016 (EM) 003418854-0001
Oct. 14, 2016 (EM) 003418854-0002

(51) **LOC (12) Cl.** **24-01**

(52) **U.S. Cl.**
USPC **D24/230**

(58) **Field of Classification Search**
USPC D24/121, 216, 219–221, 224–233;
D10/81
CPC B01L 2200/16; B01L 2200/18; B01L
2300/0809; B01L 2300/0816; B01L
2300/0825; B01L 2300/0609; B01L
2300/0618; G01N 2021/0346; G01N
2035/0401; G01N 2035/0441; G01N
2035/0444; G01N 21/07; G01N 2021/13;
G01N 2021/135

See application file for complete search history.

(56) **References Cited**

U.S. PATENT DOCUMENTS

D311,876 S *	11/1990	Kiegami	D10/81
D514,705 S *	2/2006	Bublewitz	D24/224
D584,827 S *	1/2009	Potter	D24/216
D595,421 S *	6/2009	Suzuki	D24/227
D595,862 S *	7/2009	Suzuki	D24/227
D595,863 S *	7/2009	Suzuki	D24/227
7,744,821 B2 *	6/2010	Eberle	B04B 5/0428 210/767
D763,464 S *	8/2016	Li	D24/227
D781,437 S *	3/2017	Valley	D24/227
2014/0030802 A1 *	1/2014	Eberle	B01L 1/025 435/303.1
2018/0117594 A1 *	5/2018	Eberle	B01L 9/52

* cited by examiner

Primary Examiner — Anhdao Doan

(74) *Attorney, Agent, or Firm* — Woodling, Krost and Rust

(57) **CLAIM**

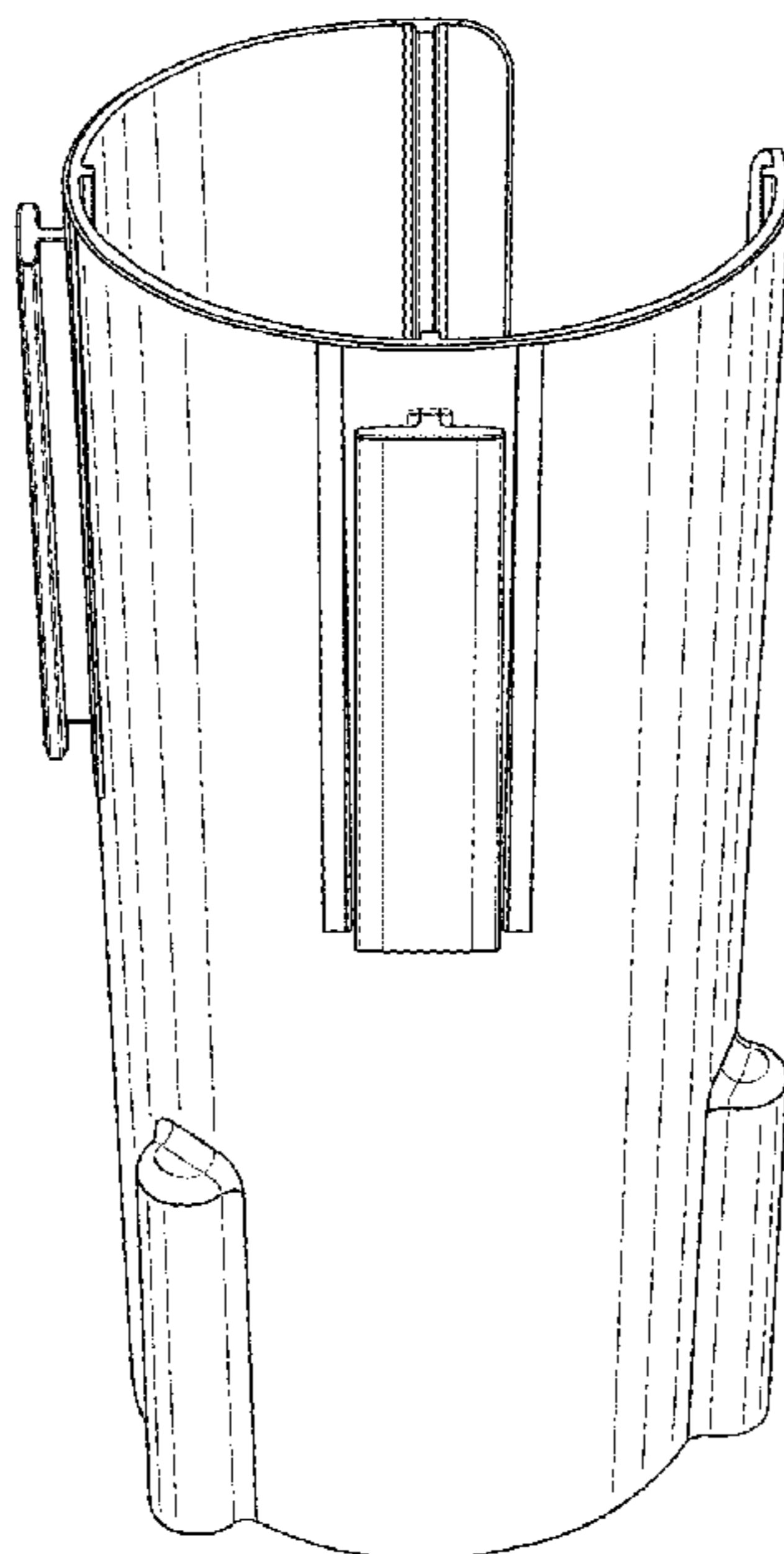
The ornamental design for a medical instrument, as shown and described.

DESCRIPTION

FIG. 1 is a top perspective view of a medical instrument showing my new design;
FIG. 2 is a side view thereof;
FIG. 3 is another side view thereof;
FIG. 4 is a front view thereof;
FIG. 5 is a rear view thereof;
FIG. 6 is an enlarged bottom view thereof; and,
FIG. 7 is an enlarged top view thereof.

The broken lines illustrate portions of the medical device that form no part of the claimed design; the broken lines and the unshaded surfaces form no part of the claimed design.

1 Claim, 7 Drawing Sheets



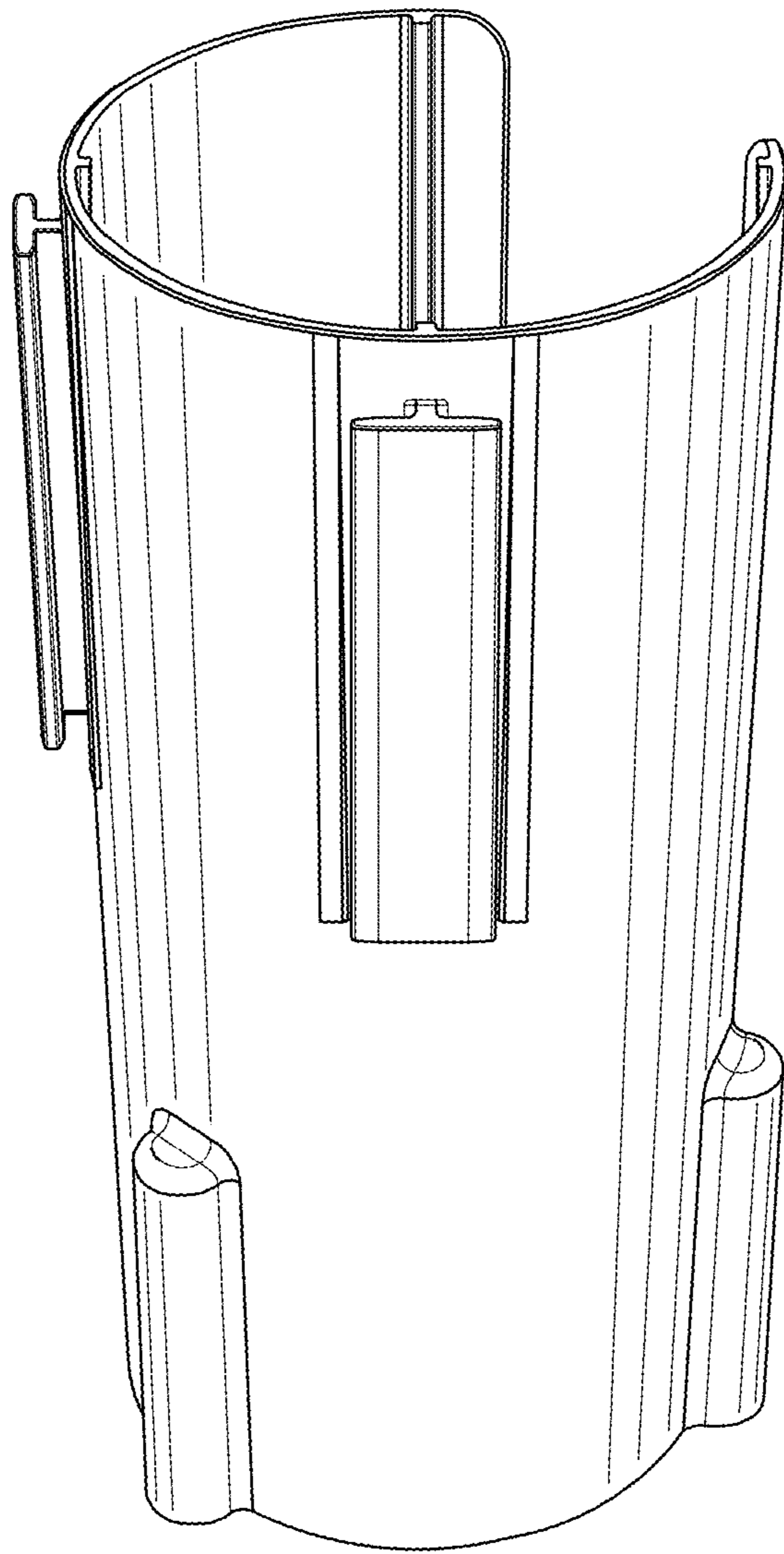


FIG. 1

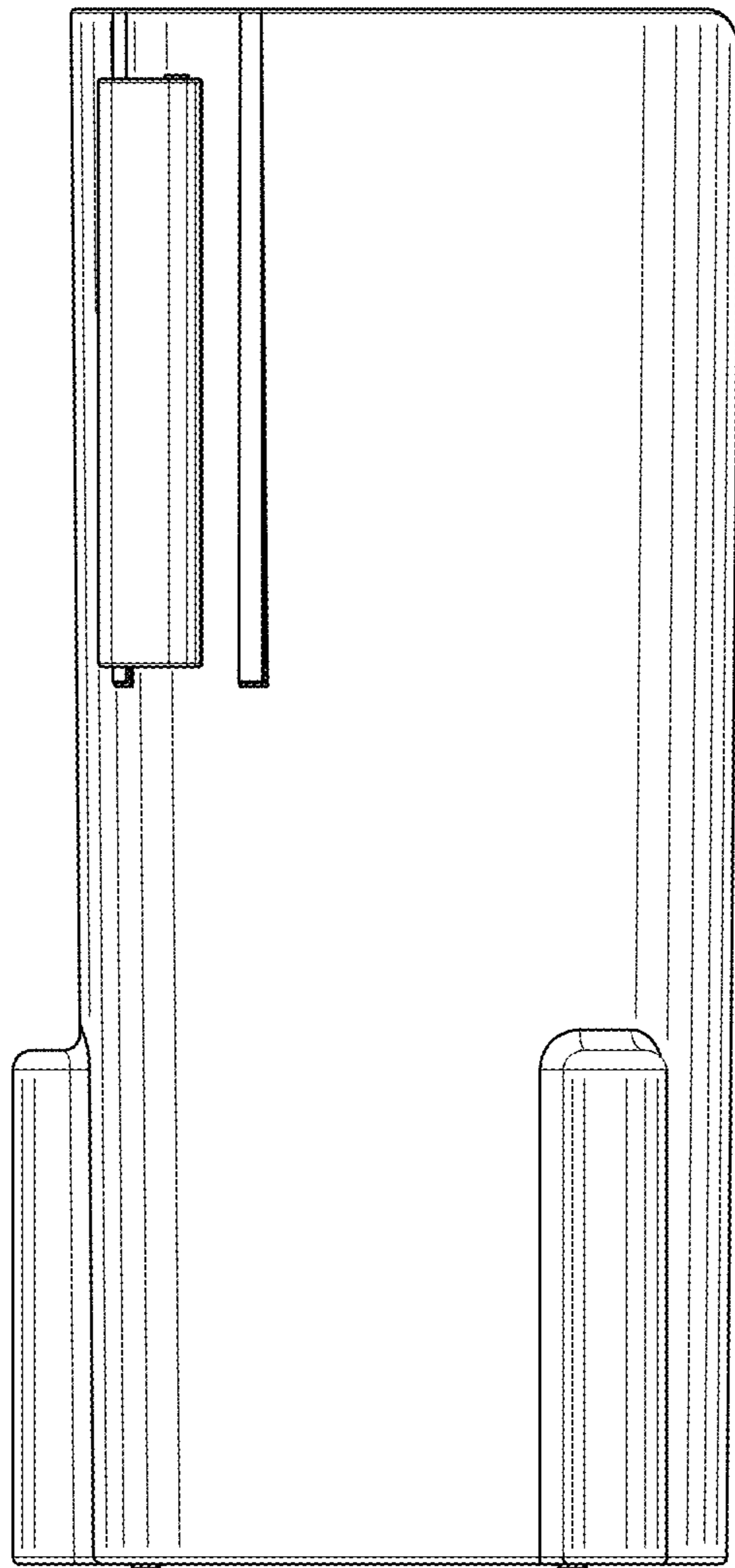


FIG. 2

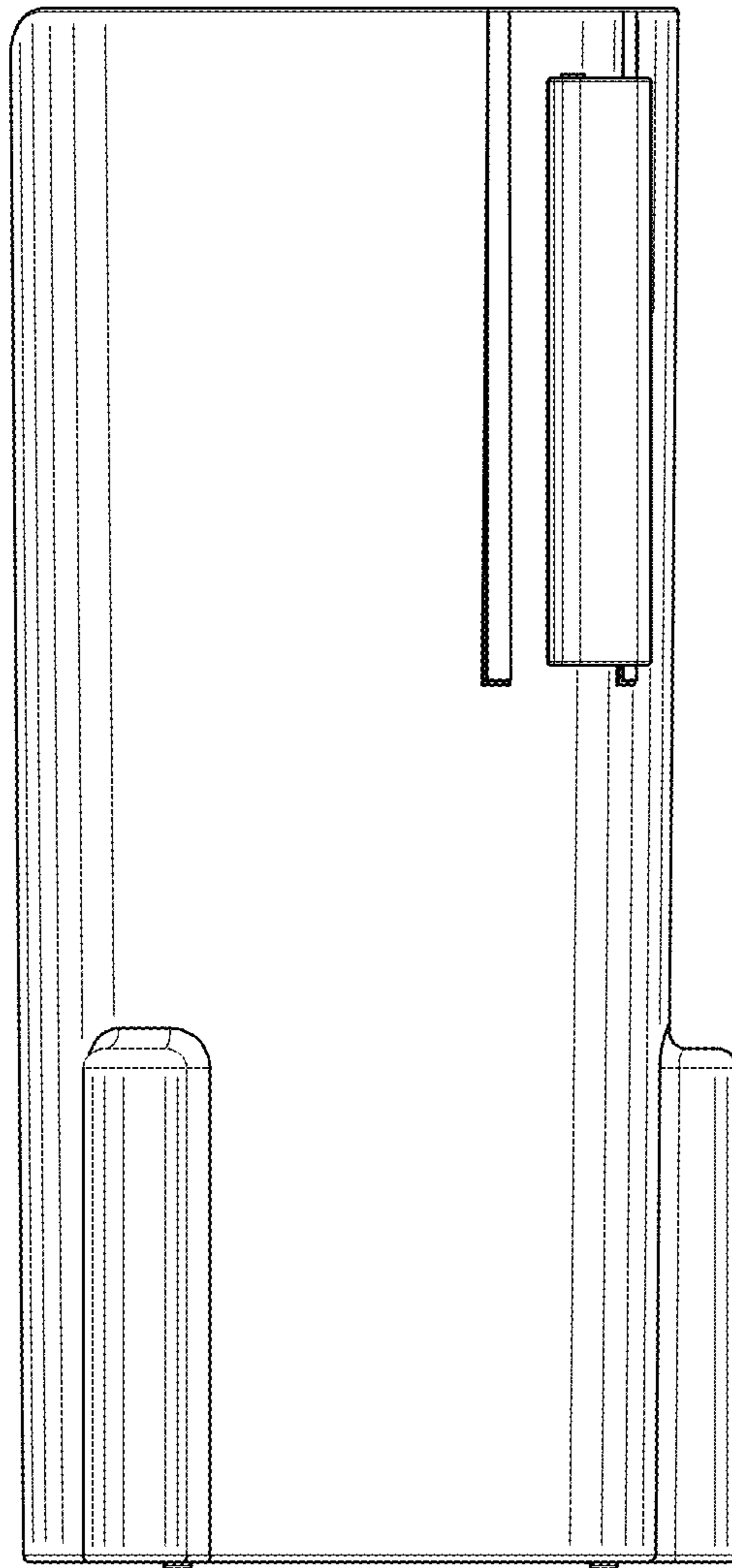


FIG. 3

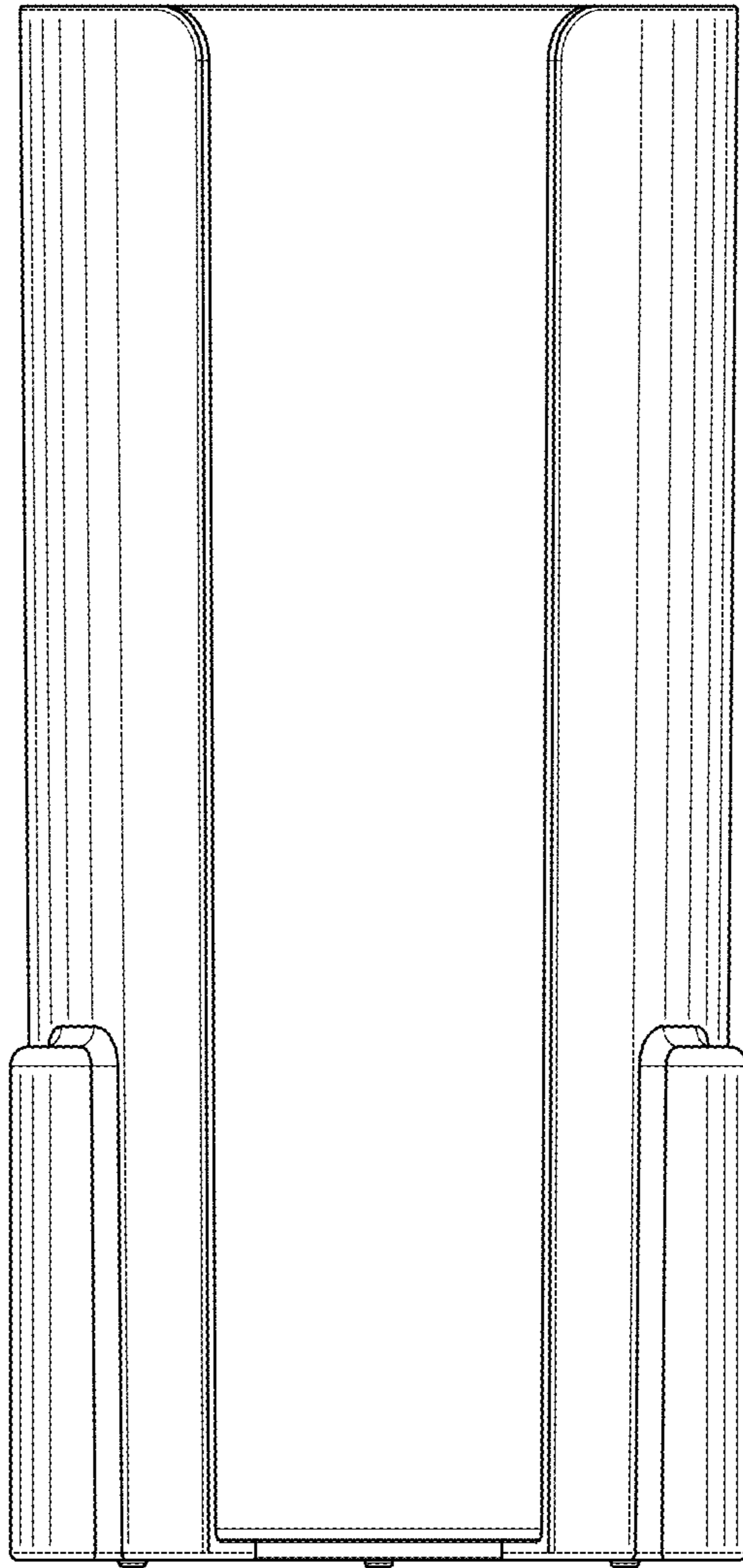


FIG. 4

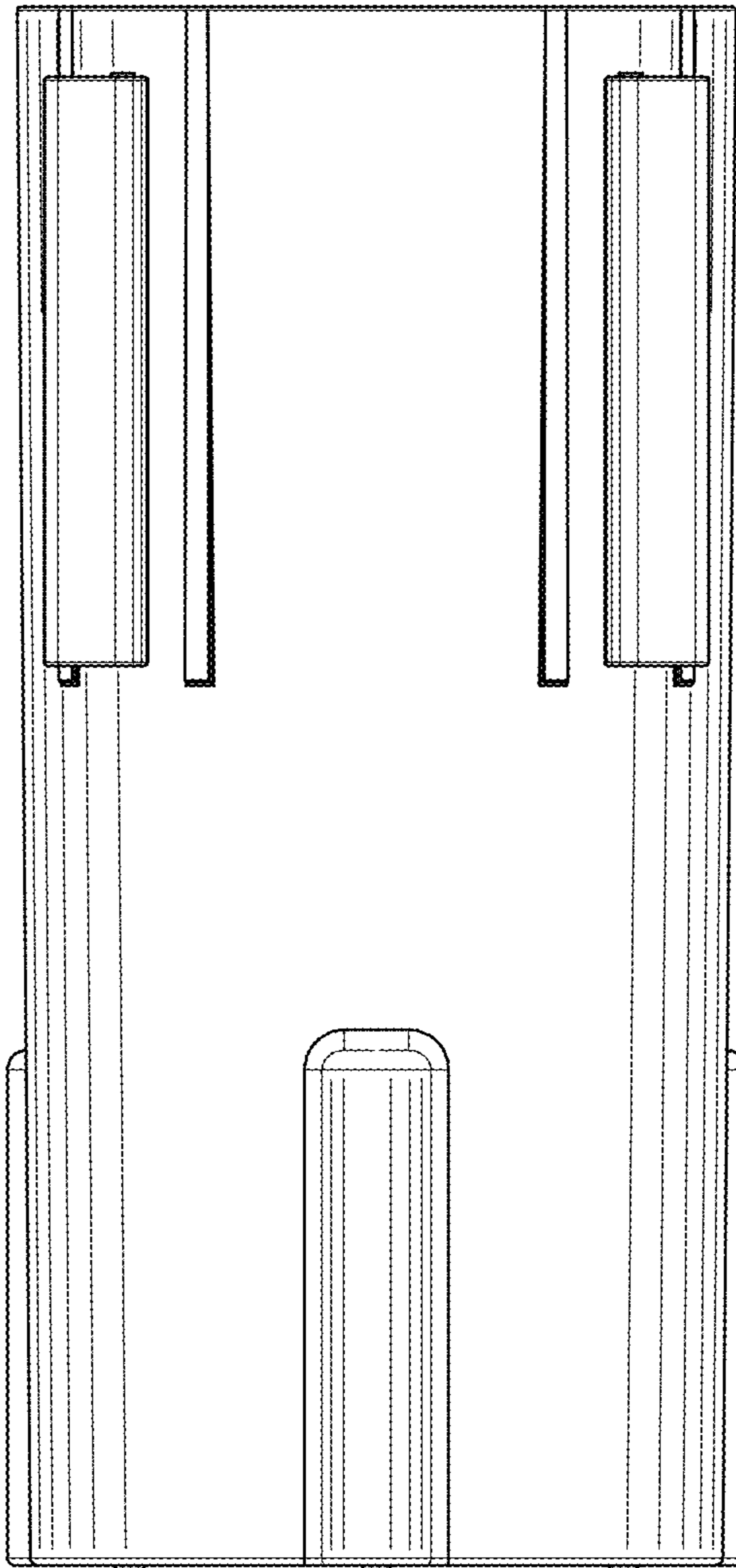


FIG. 5

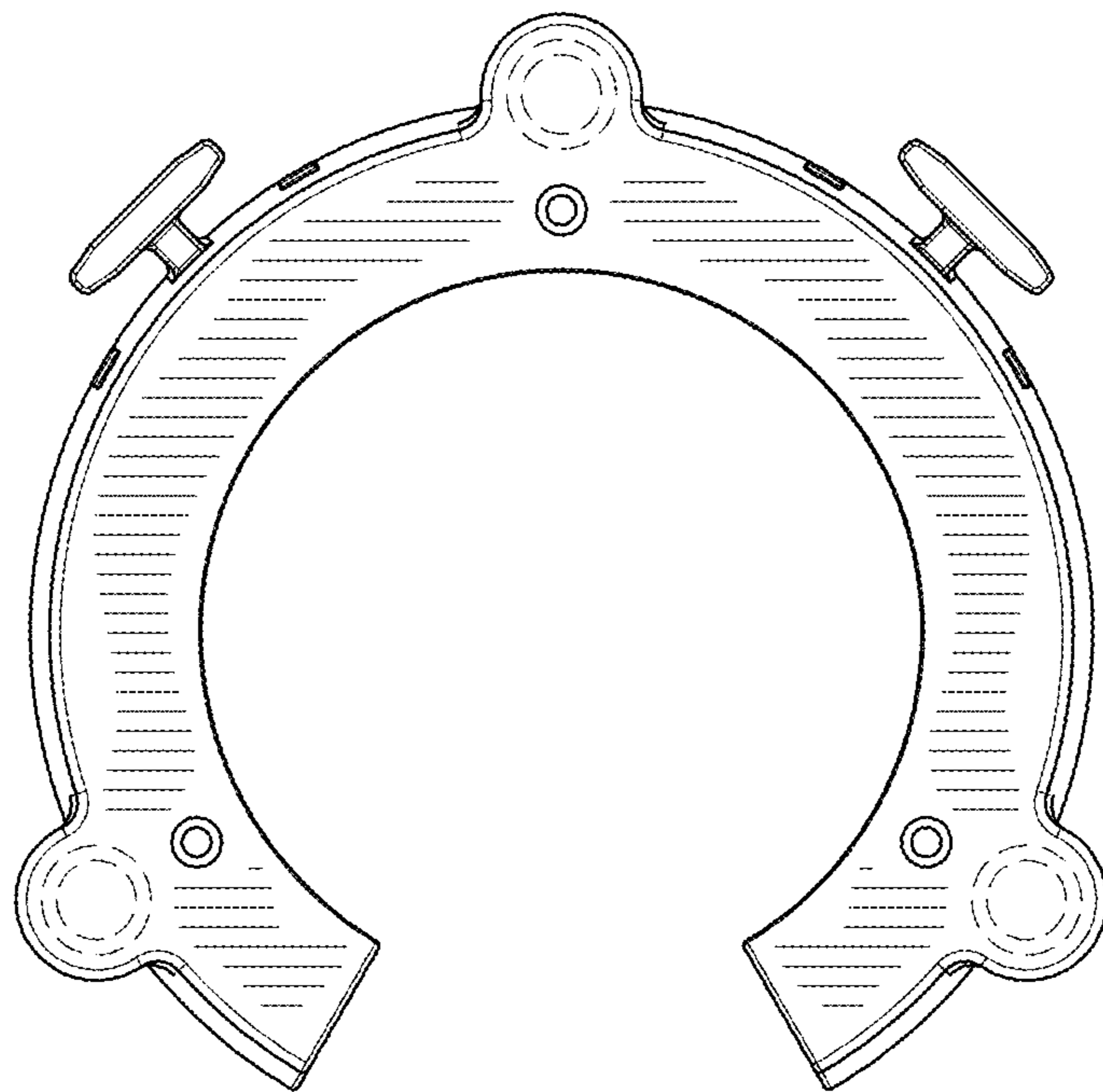


FIG. 6

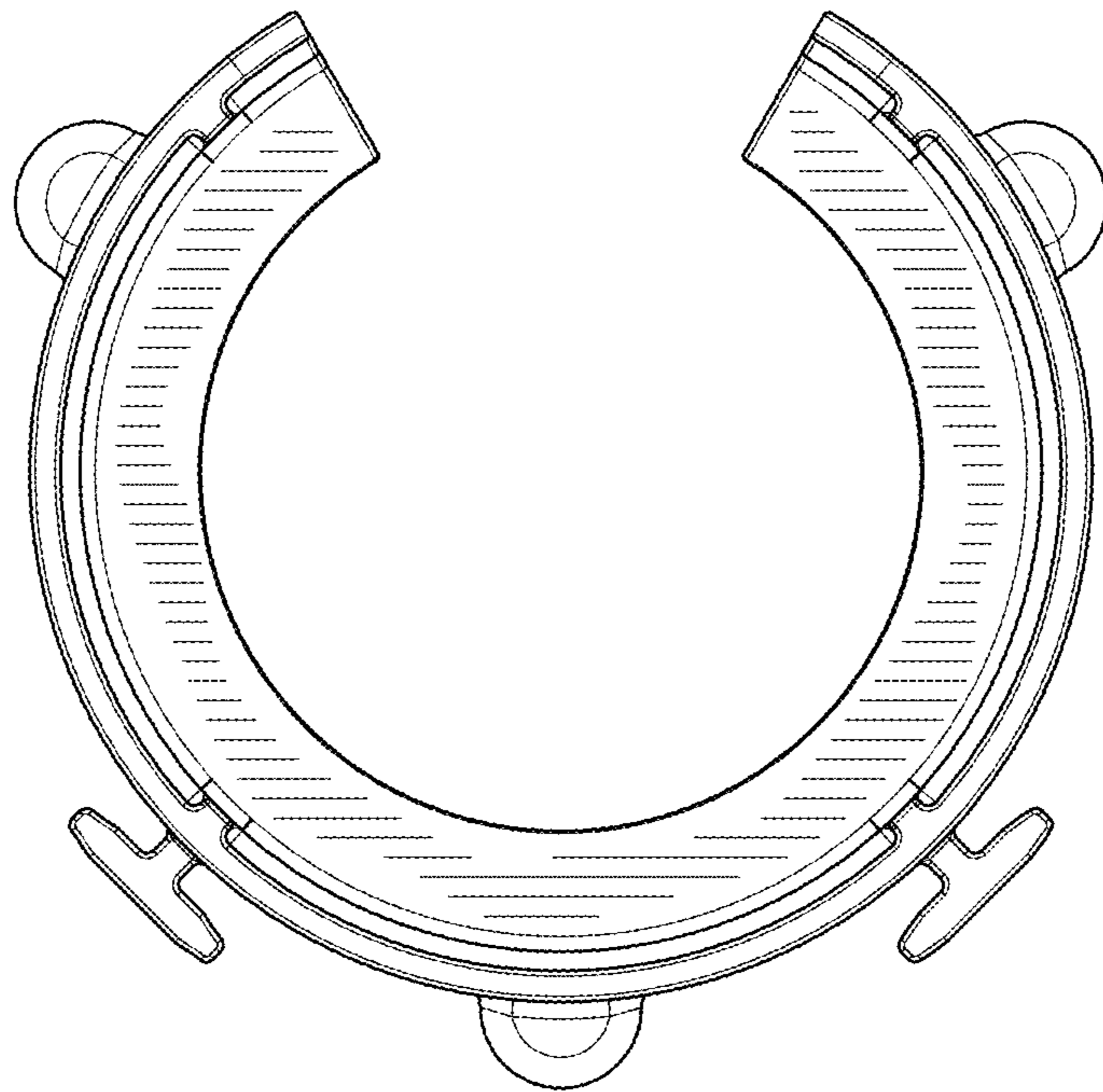


FIG. 7