



US00D877358S

(12) **United States Design Patent** (10) **Patent No.:** **US D877,358 S**  
**Bucher et al.** (45) **Date of Patent:** **\*\* Mar. 3, 2020**

(54) **RACK FOR ASSAY TIPS AND ASSAY CUPS**

(71) Applicant: **Roche Diagnostics Operations, Inc.**,  
Indianapolis, IN (US)

(72) Inventors: **Armin Bucher**, Neuenkirch (CH);  
**Thomas Guggisberg**, Boswil (CH);  
**Stephan Sattler**, Starnberg (DE);  
**Martin Halter**, Oberarth (CH)

(73) Assignee: **Roche Diagnostics Operations, Inc.**,  
Indianapolis, IN (US)

(\*\*) Term: **15 Years**

(21) Appl. No.: **29/690,630**

(22) Filed: **May 9, 2019**

**Related U.S. Application Data**

(60) Division of application No. 29/567,591, filed on Jun. 10, 2016, now Pat. No. Des. 853,581, which is a continuation of application No. 14/872,471, filed on Oct. 1, 2015, now abandoned.

(51) **LOC (12) Cl.** ..... **24-02**

(52) **U.S. Cl.**  
USPC ..... **D24/229**

(58) **Field of Classification Search**  
USPC ..... D24/224–230, 216, 217, 232; 422/569,  
422/500–553, 560–562, 564, 50, 400;  
211/126.1, 74, 70.1; 435/287.1, 288, 4,  
435/305.2, 289.1; 206/443  
CPC ..... B01L 9/54; B01L 9/00; B01L 9/06; B01L  
9/065; B01L 9/543  
See application file for complete search history.

(56) **References Cited**

**U.S. PATENT DOCUMENTS**

4,349,109 A 9/1982 Scordato et al.  
4,619,365 A 10/1986 Kelly et al.

5,366,088 A 11/1994 Hill et al.  
5,392,914 A 2/1995 Lemieux et al.  
D369,415 S 4/1996 Boulton et al.  
5,582,297 A 12/1996 Carter  
5,827,745 A 10/1998 Astle  
D414,271 S 9/1999 Mendoza  
D420,743 S \* 2/2000 Monks ..... D24/224  
6,098,819 A 8/2000 Link  
D448,854 S 10/2001 Kuiper et al.  
D461,554 S 8/2002 Lafond et al.

(Continued)

**FOREIGN PATENT DOCUMENTS**

EP 1275966 B1 7/2006  
EP 3006110 A1 4/2016

(Continued)

*Primary Examiner* — Susan Bennett Hattan

*Assistant Examiner* — Rebecca Tsehaye

(74) *Attorney, Agent, or Firm* — Dinsmore & Shohl, LLP

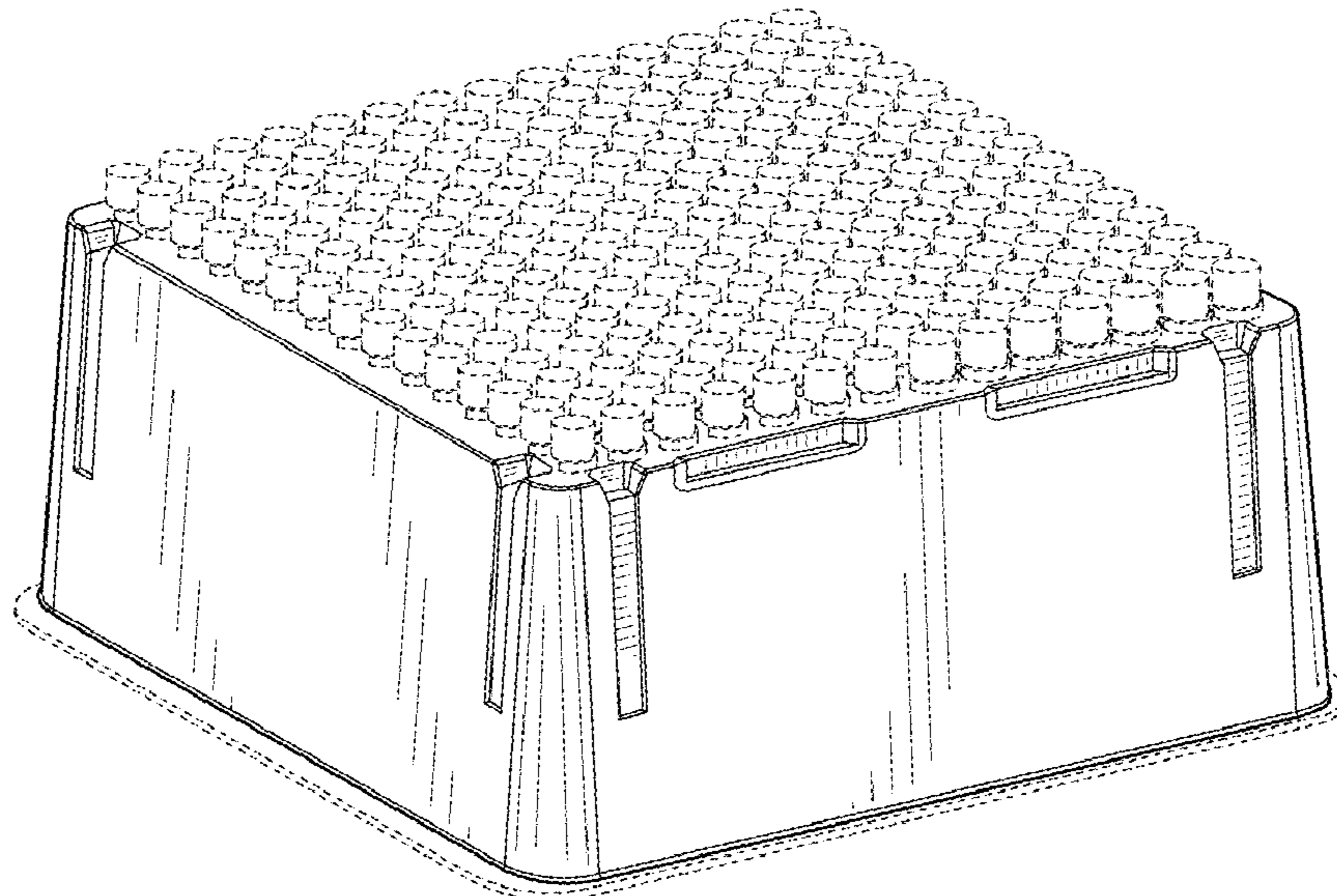
(57) **CLAIM**

The ornamental design for a rack for assay tips and assay cups, as shown and described.

**DESCRIPTION**

FIG. 1 is a perspective view of a rack in accordance with the present invention;  
FIG. 2 is a top view of the rack of FIG. 1, the opposite side being disclaimed entirely and not shown;  
FIG. 3 is a left side view of the rack of FIG. 1;  
FIG. 4 is a front view of the rack of FIG. 1, the opposite side being a mirror image; and,  
FIG. 5 is a right side view of the rack of FIG. 1.  
The broken line circles on the top surface of FIGS. 1-5 represent holding wells each filled with an assay tip or assay cup and form no part of the claimed design. All other broken lines on the exterior of the rack depict unclaimed environment and form no part of the claimed design.

**1 Claim, 2 Drawing Sheets**



(56)

References Cited

U.S. PATENT DOCUMENTS

6,534,015 B1 3/2003 Viot et al.  
 D628,306 S 11/2010 Blanc et al.  
 D639,447 S 6/2011 Karpiloff  
 D645,156 S 9/2011 Reitze  
 8,168,137 B2 5/2012 Powell et al.  
 D675,748 S 2/2013 Hilligoss et al.  
 D699,370 S \* 2/2014 Motadel ..... D24/229  
 D699,371 S 2/2014 Williams et al.  
 8,906,327 B2 12/2014 Williams et al.  
 8,950,595 B2 2/2015 Ammon  
 D767,164 S \* 9/2016 Schimmel ..... D24/226  
 D768,870 S \* 10/2016 Kuhn ..... D24/224  
 D774,659 S \* 12/2016 Quackenbush ..... D24/216  
 D787,087 S \* 5/2017 Duffy ..... D24/227  
 D808,540 S 1/2018 Johns et al.  
 D812,243 S 3/2018 Johns et al.  
 D825,774 S \* 8/2018 Self ..... D24/224  
 D827,149 S \* 8/2018 Self ..... D24/224  
 D832,456 S \* 10/2018 Self ..... D24/224  
 D838,380 S \* 1/2019 Self ..... D24/224

D840,053 S \* 2/2019 Kamees ..... D24/230  
 D843,014 S \* 3/2019 Johns ..... D24/227  
 D849,961 S \* 5/2019 Muller ..... D24/224  
 D853,581 S \* 7/2019 Bucher ..... B01L 9/543  
 D24/227  
 D854,707 S \* 7/2019 Jakobsen ..... D24/230  
 2006/0045815 A1 3/2006 Hovatter  
 2008/0023426 A1 1/2008 Stahl  
 2011/0180541 A1 7/2011 Becklin  
 2013/0315800 A1 11/2013 Yin et al.  
 2014/0308181 A1 10/2014 Blumentritt  
 2016/0101422 A1 4/2016 Bucher et al.  
 2016/0167041 A1 6/2016 Curry et al.  
 2017/0043346 A1 \* 2/2017 Welch ..... A61B 5/15  
 2017/0136467 A1 5/2017 Johns et al.

FOREIGN PATENT DOCUMENTS

FR 2726201 A1 5/1996  
 GB 1522128 A 8/1978  
 WO 03064271 A3 8/2003

\* cited by examiner

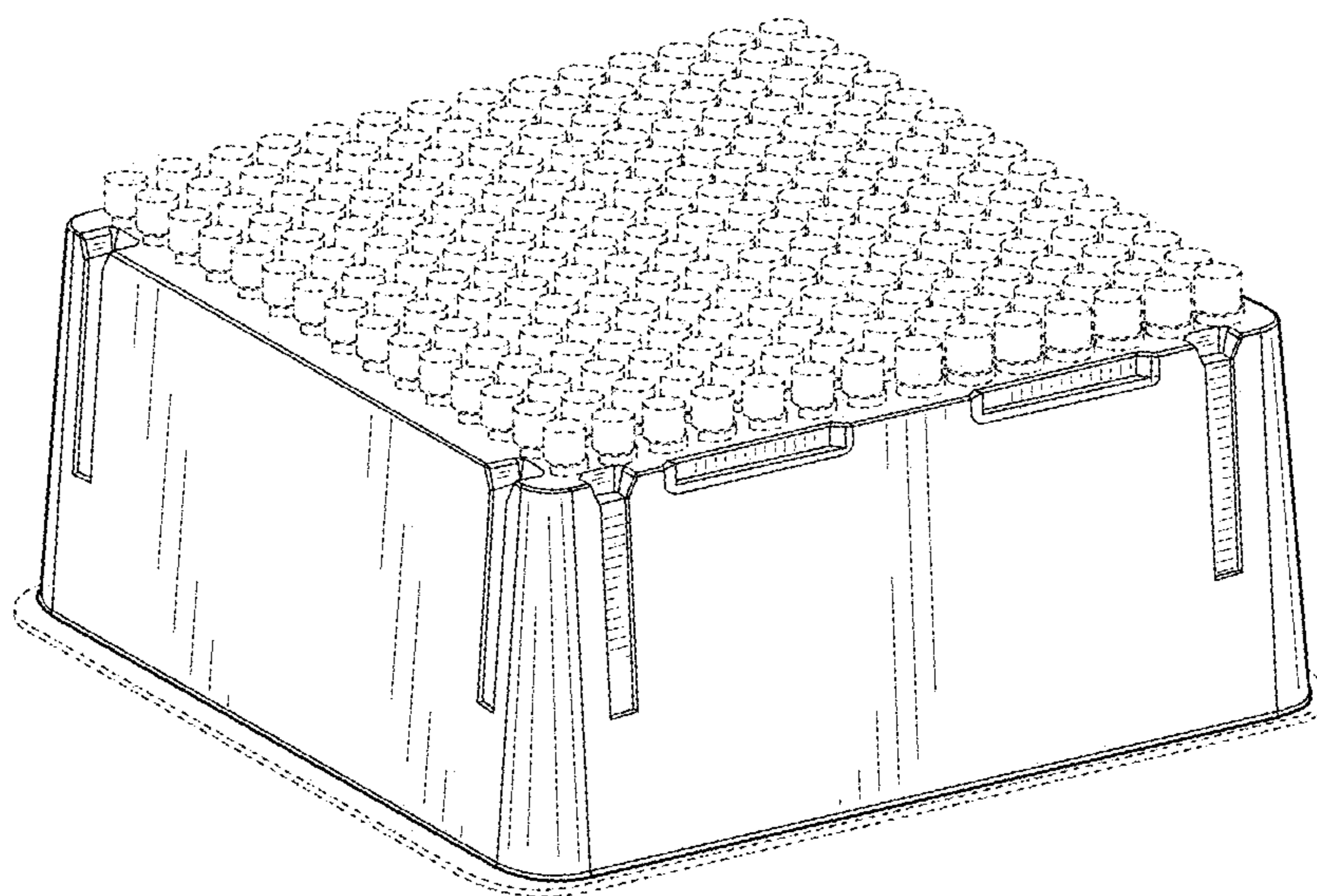


FIG. 1

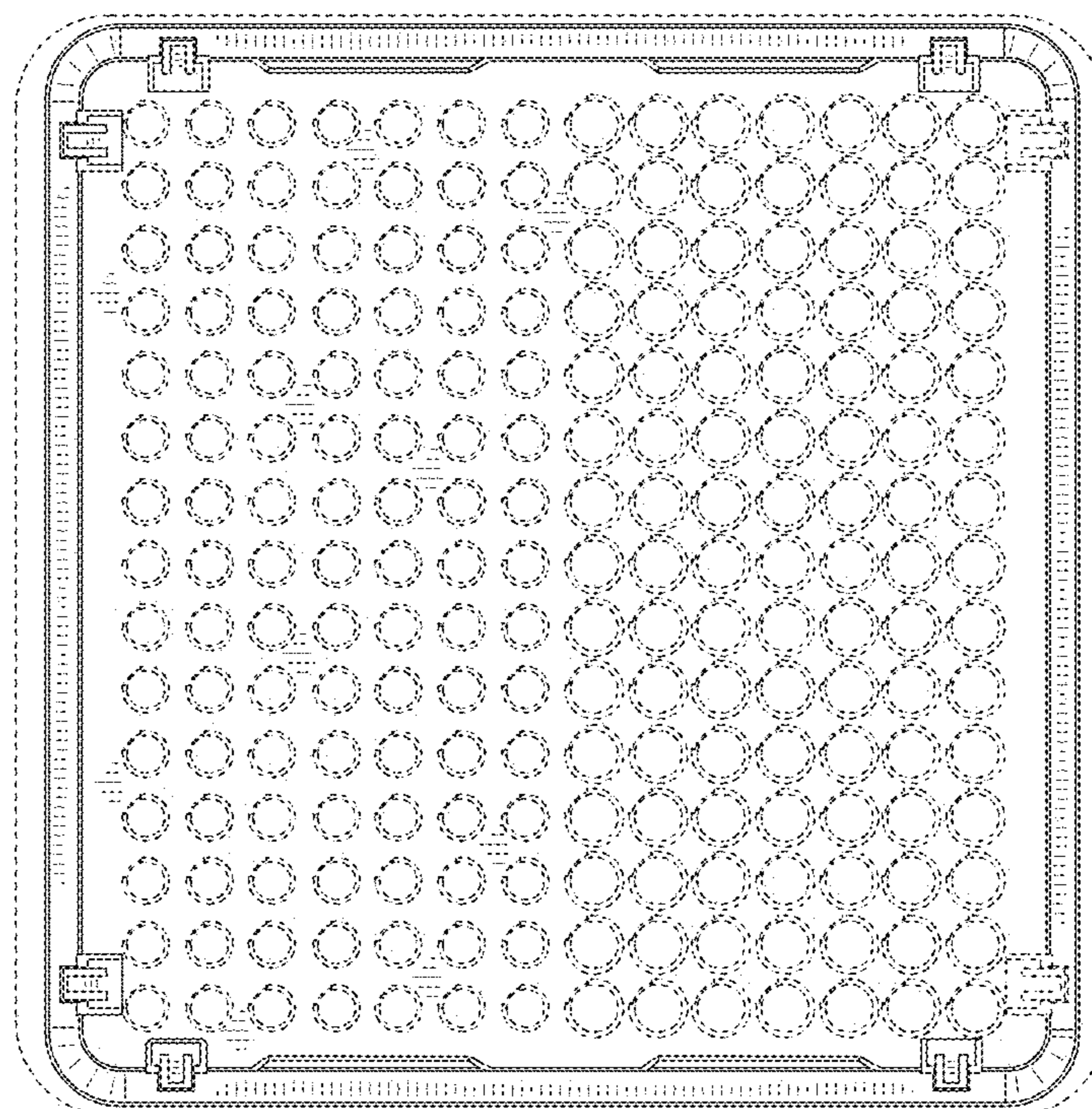


FIG. 2

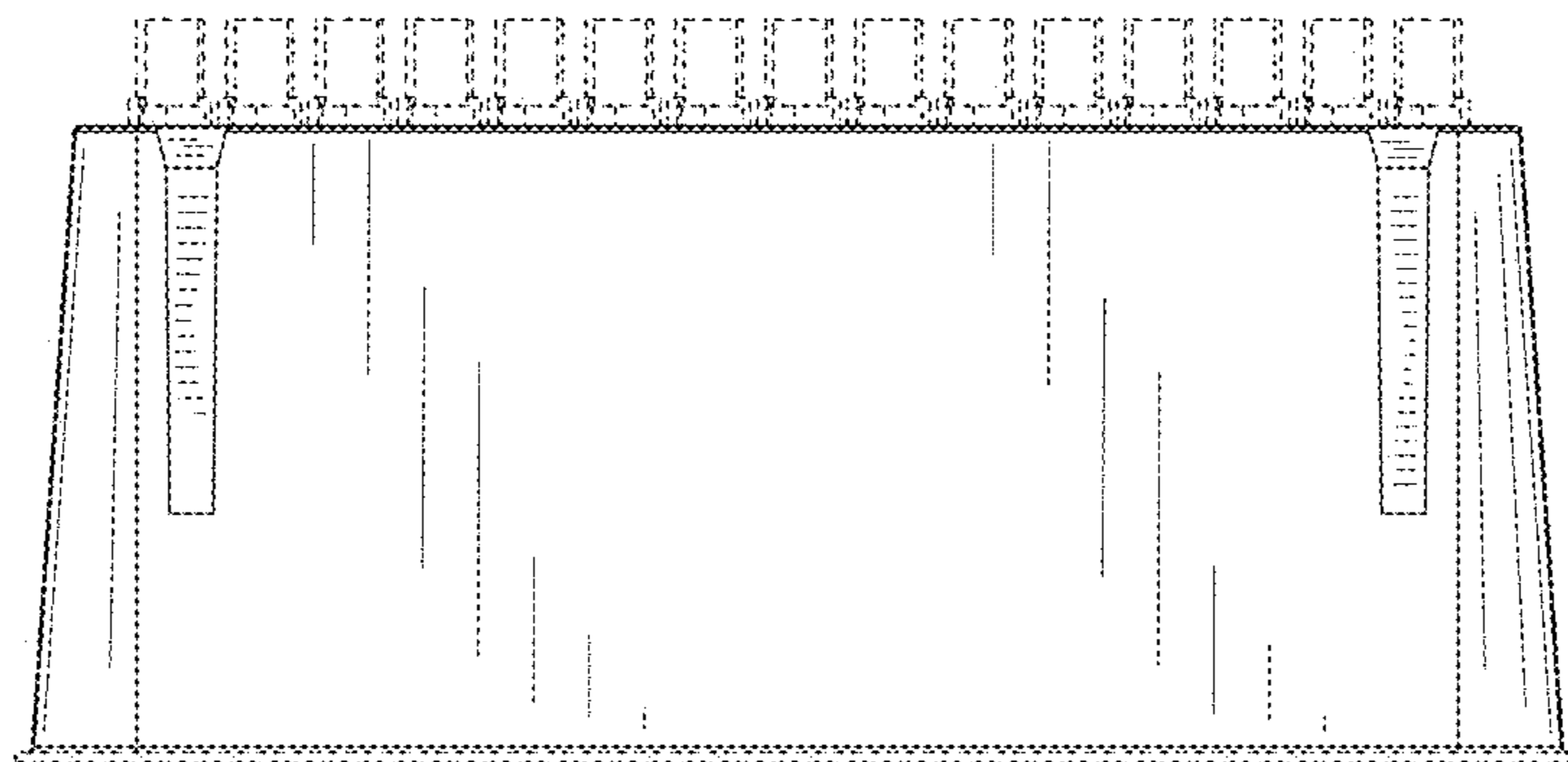


FIG. 3

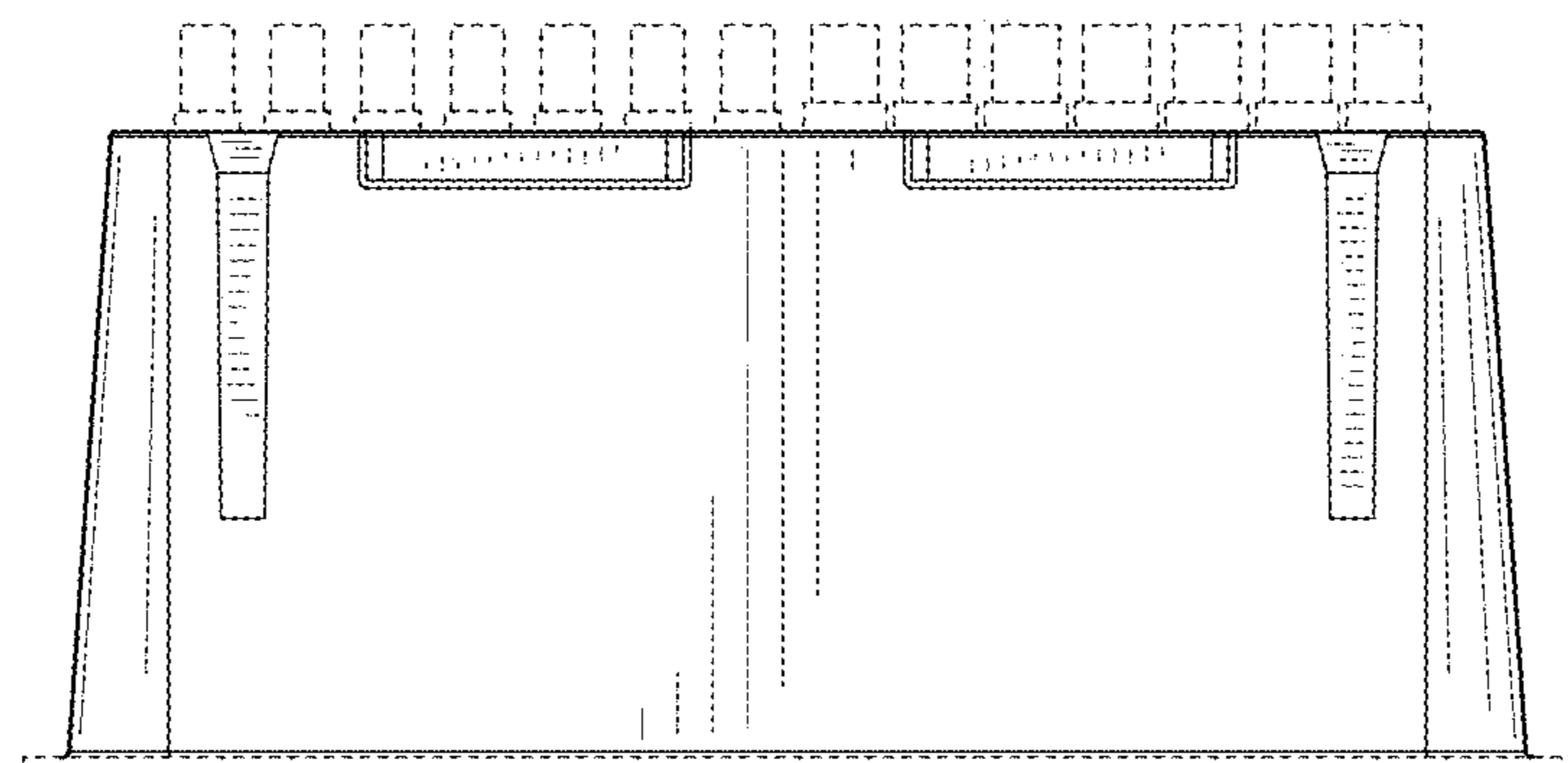


FIG. 4

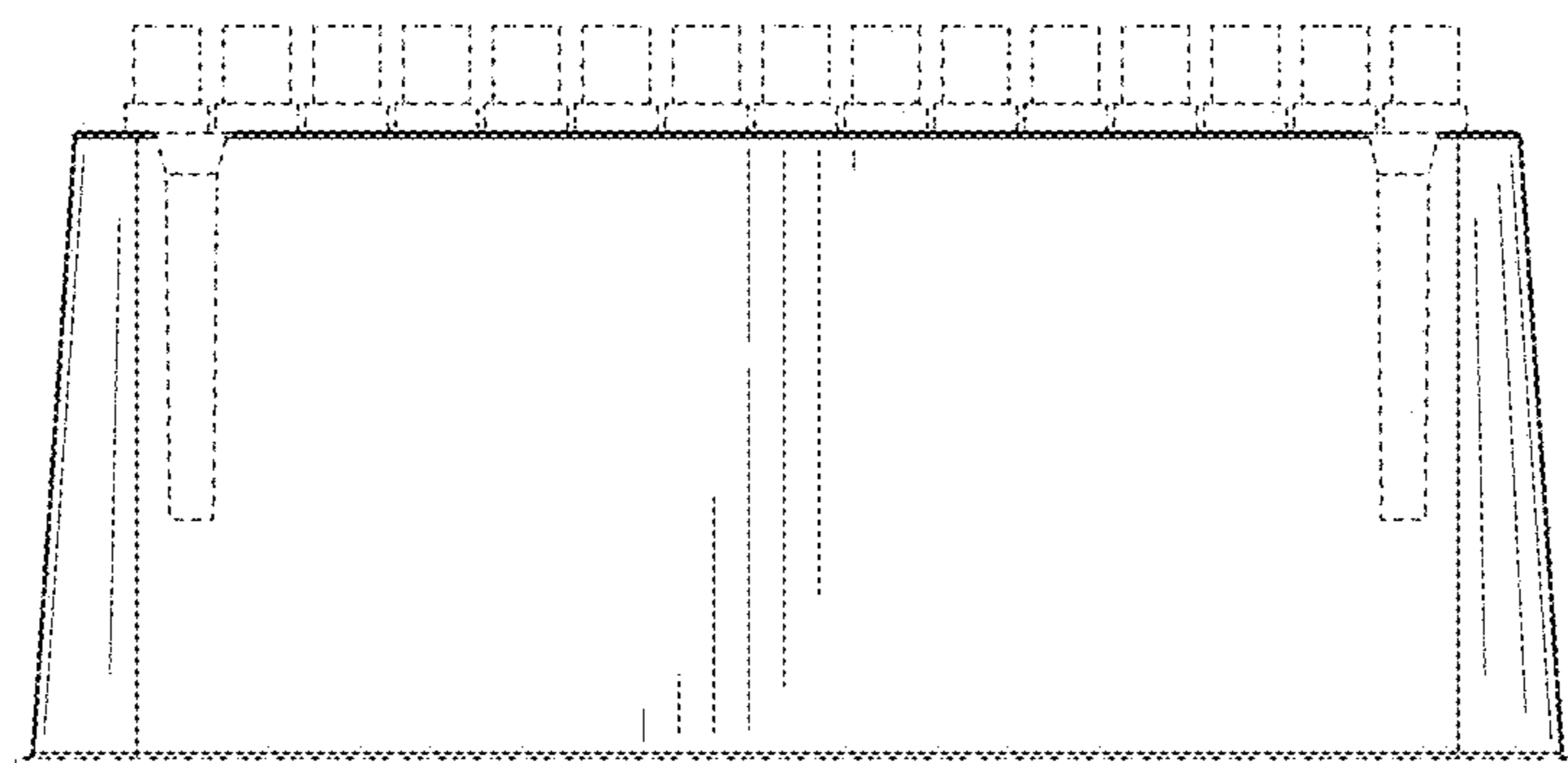


FIG. 5