



US00D877356S

(12) **United States Design Patent**
Clive-Smith et al.

(10) **Patent No.:** **US D877,356 S**
(45) **Date of Patent:** **** Mar. 3, 2020**

(54) **CUVETTE**

(71) Applicant: **Entia Ltd.**, London (GB)

(72) Inventors: **Millie Amy Catherine Clive-Smith**,
London (GB); **Toby Henry**
Basey-Fisher, London (GB)

(73) Assignee: **Entia Ltd.**, London (GB)

(**) Term: **15 Years**

(21) Appl. No.: **29/639,930**

(22) Filed: **Mar. 9, 2018**

(30) **Foreign Application Priority Data**

Sep. 12, 2017 (EM) 004309011

(51) **LOC (12) Cl.** **24-02**

(52) **U.S. Cl.**
USPC **D24/224**

(58) **Field of Classification Search**

USPC D24/107, 169, 186, 216, 223-230;
D3/203.1, 203.3; D7/550.1, 553.1, 553.3,
D7/698; D9/759, 760

CPC G01N 21/0303; B01L 3/508
See application file for complete search history.

(56) **References Cited**

U.S. PATENT DOCUMENTS

D366,598 S * 1/1996 Geddes D7/549
D379,902 S * 6/1997 Jeppesen D7/550.1
D464,141 S * 10/2002 McMenamy D24/216
D511,386 S * 11/2005 Emerson D24/233
D661,403 S * 6/2012 Connelly D24/224

D666,305 S * 8/2012 Benarieh D24/232
D688,385 S * 8/2013 Trump D24/224
D749,235 S * 2/2016 Murray D24/233
D773,260 S * 12/2016 Shamoon D7/698
D792,603 S * 7/2017 Bulloch D24/233
D839,448 S * 1/2019 Langhoff D24/224

OTHER PUBLICATIONS

UV transparent cuvette, ultra-micro, 15 mm. Online, published date unknown. Retrieved on May 28, 2019 from URL: [https:// www.usascientific.com/uv-cuvette-ultra-micro-1.5mm.aspx](https://www.usascientific.com/uv-cuvette-ultra-micro-1.5mm.aspx).*

* cited by examiner

Primary Examiner — Susan Bennett-Hattan

Assistant Examiner — Omeed Agilee

(74) *Attorney, Agent, or Firm* — Dykema Gossett PLLC

(57) **CLAIM**

We claim the ornamental design for a cuvette, as shown and described.

DESCRIPTION

FIG. 1 is an isometric view of a cuvette.

FIG. 2 is a right side elevational view of the cuvette depicted in FIG. 1.

FIG. 3 is a left side elevational view of the cuvette depicted in FIG. 1.

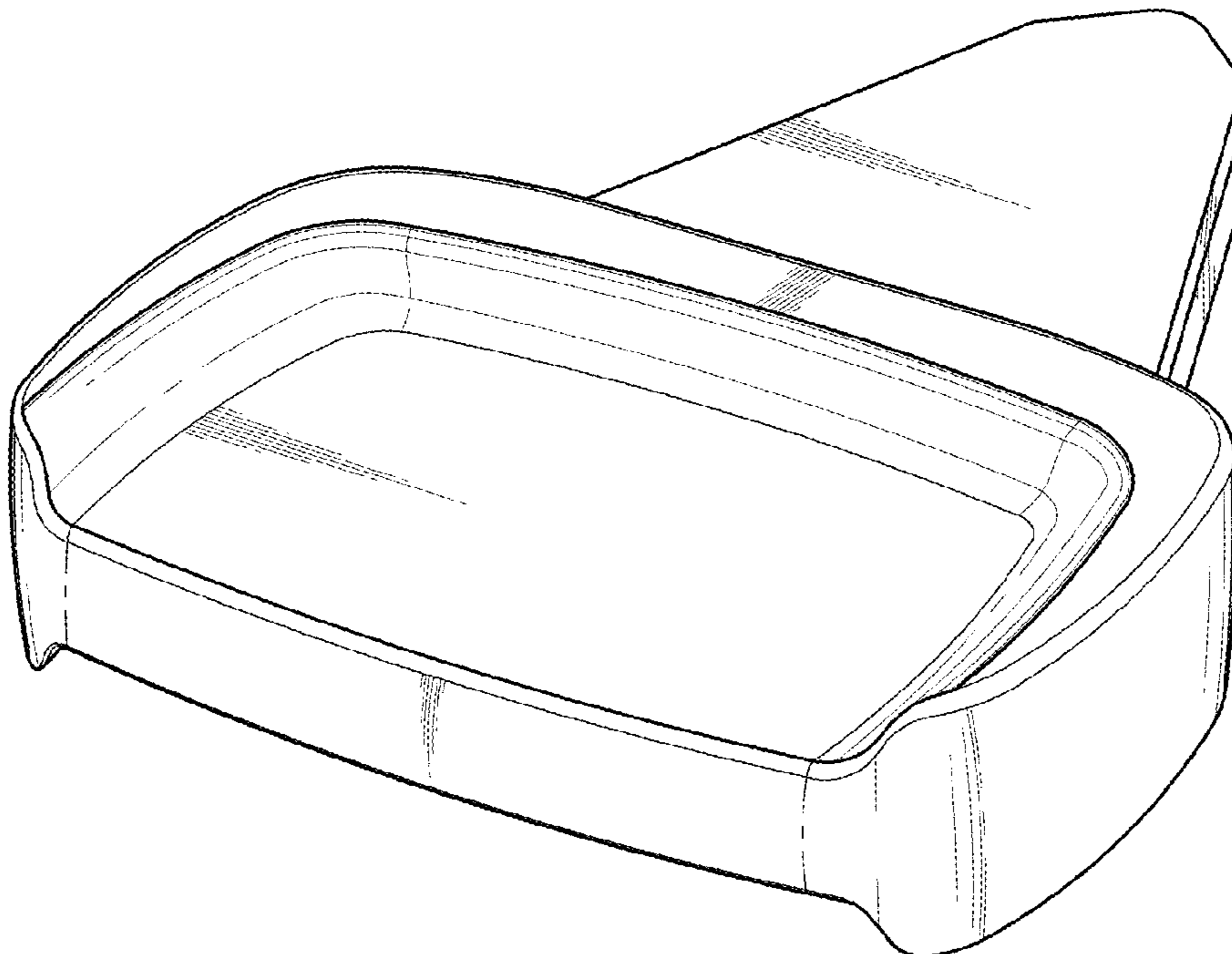
FIG. 4 is a top view of the cuvette depicted in FIG. 1.

FIG. 5 is a bottom view of the cuvette depicted in FIG. 1.

FIG. 6 is a back view of the cuvette depicted in FIG. 1; and, FIG. 7 is a front view of the cuvette depicted in FIG. 1.

The broken lines and the unshaded areas bounded by broken lines and solid lines in FIG. 7 depict portions of the cuvette that form no part of the claimed design.

1 Claim, 5 Drawing Sheets



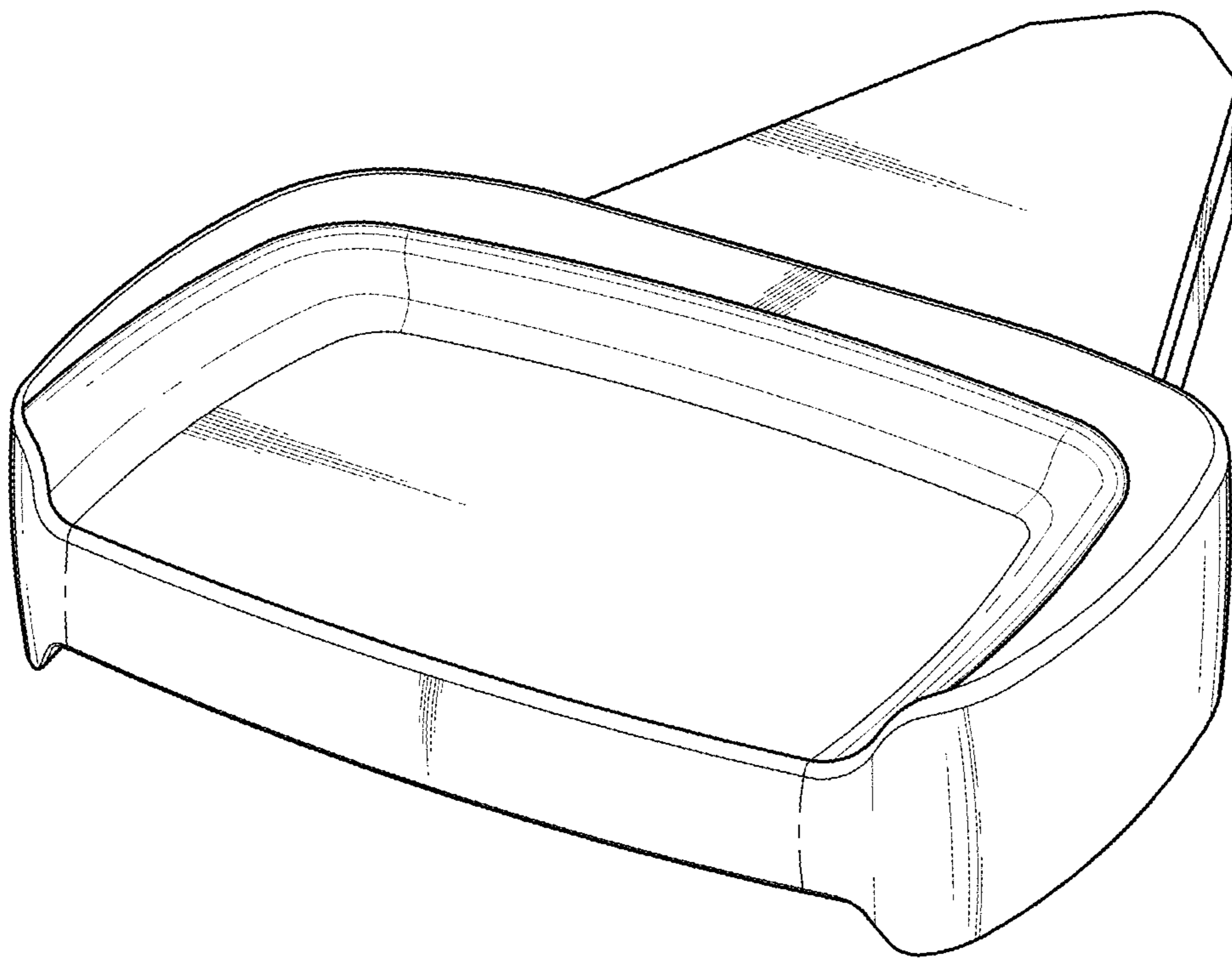


FIG. 1

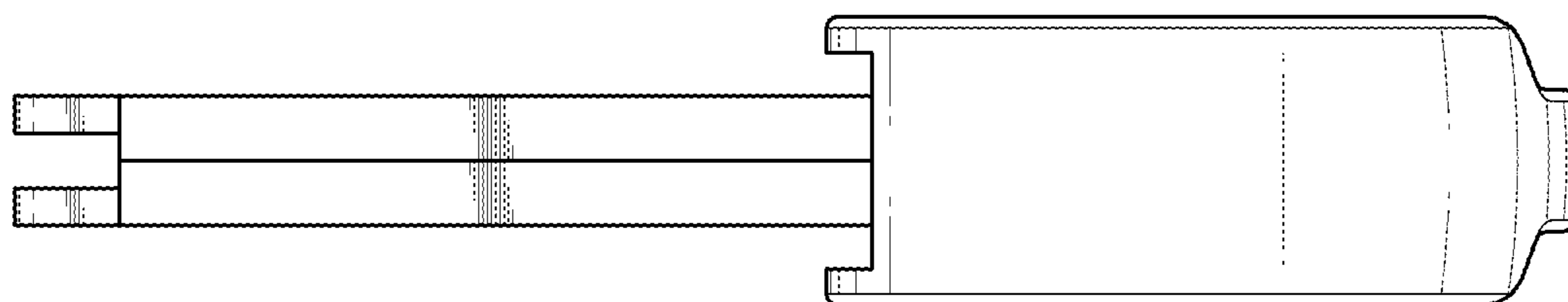


FIG. 2

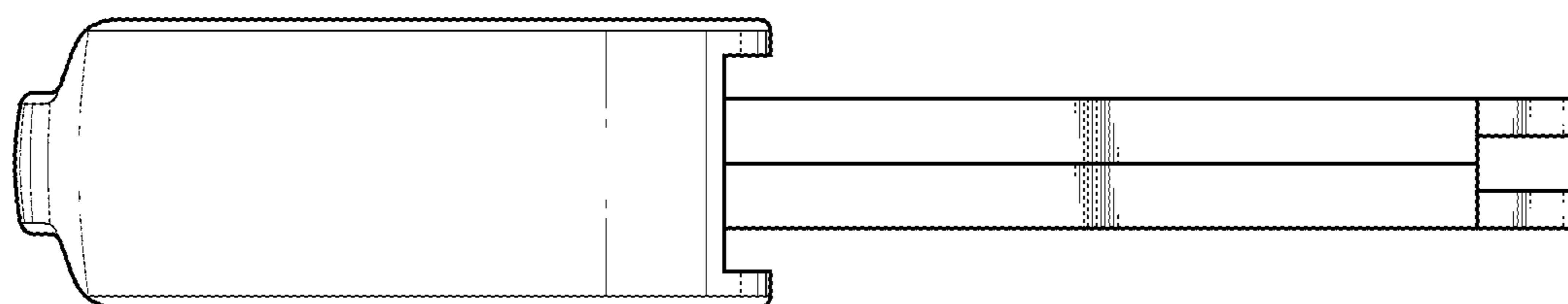


FIG. 3

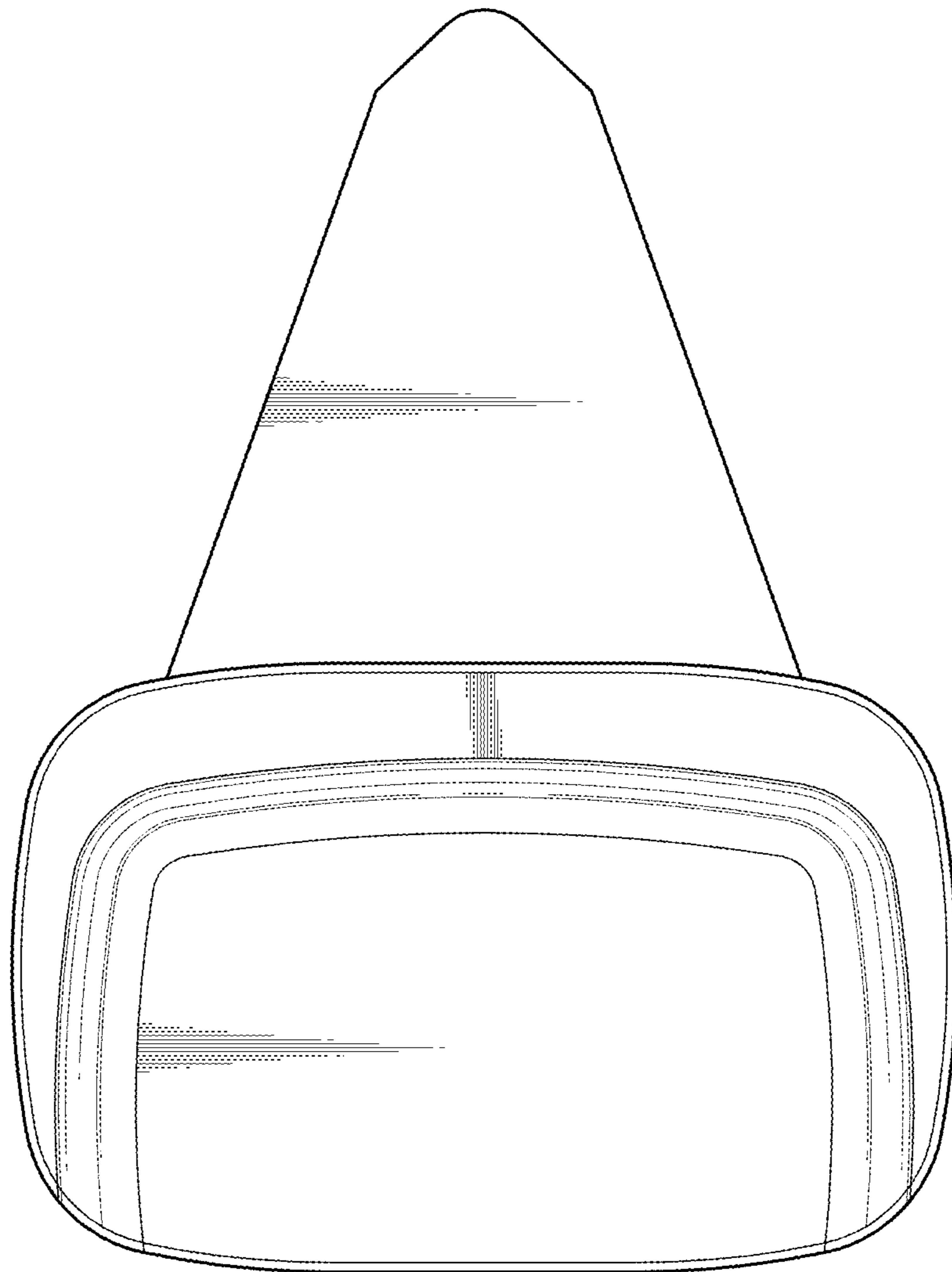


FIG. 4

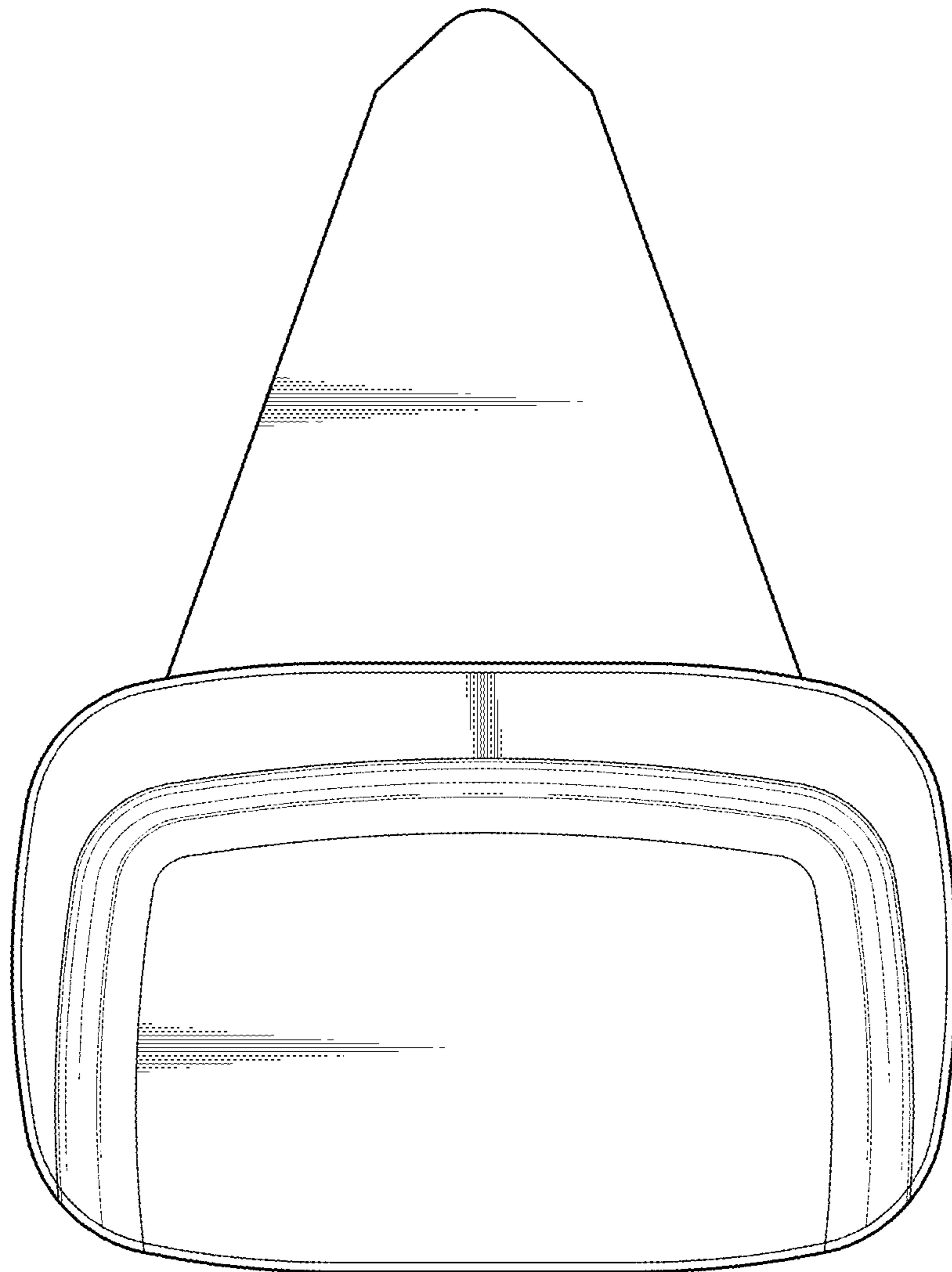


FIG. 5

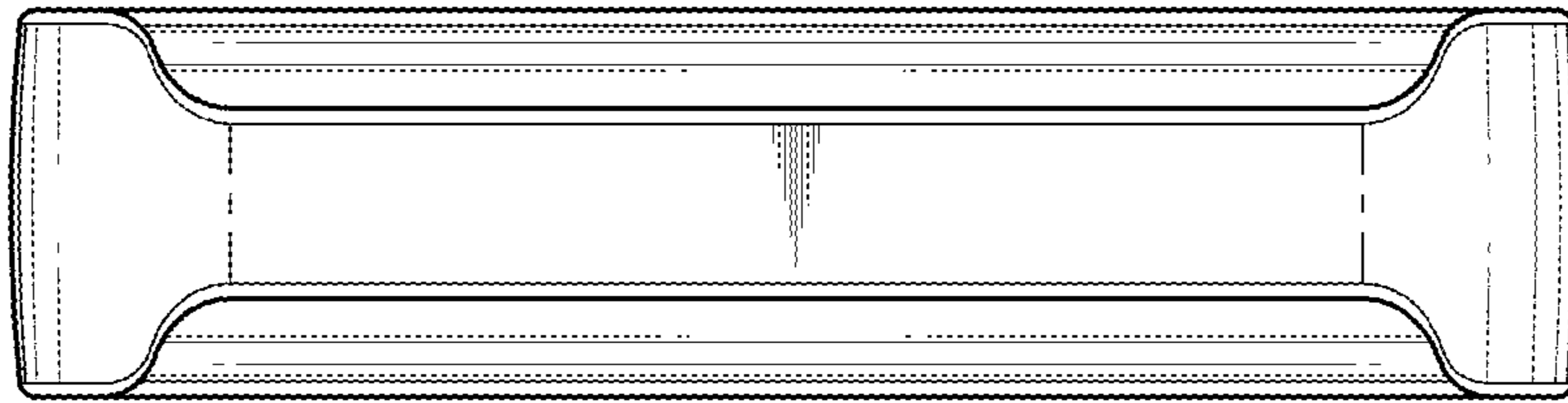


FIG. 6

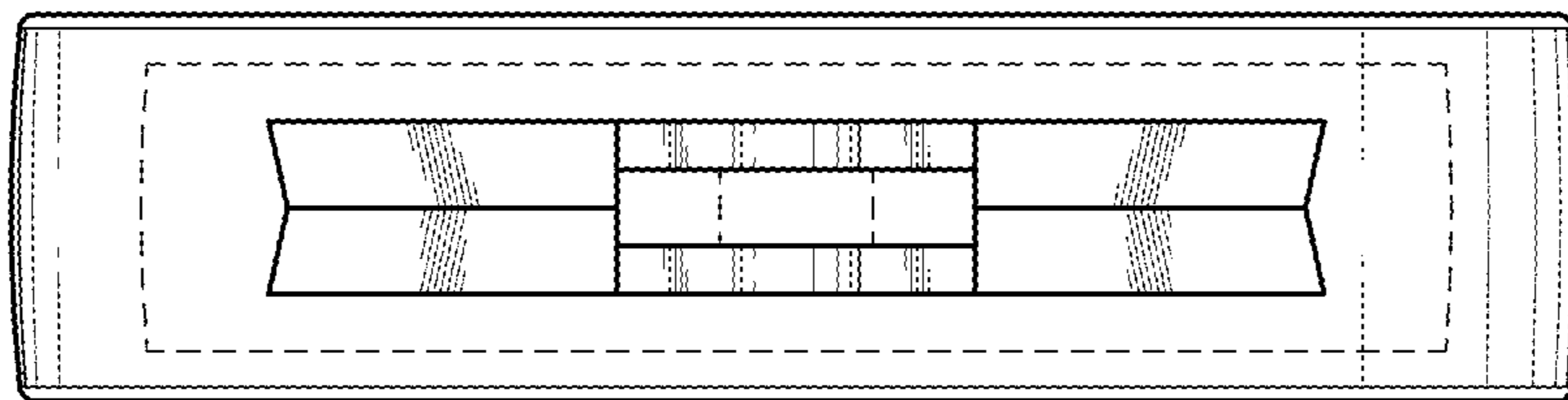


FIG. 7