



US00D877355S

(12) **United States Design Patent** (10) **Patent No.:** **US D877,355 S**
Russo et al. (45) **Date of Patent:** **** Mar. 3, 2020**

(54) **CRYOSTAT**

(71) Applicant: **United Kingdom Research and Innovation**, Swindon (GB)

(72) Inventors: **Christopher J. Russo**, Cambridge (GB); **Steve Scotcher**, Cambridge (GB); **Martin Kyte**, Cambridge (GB)

(73) Assignee: **UNITED KINGDOM RESEARCH AND INNOVATION**, Swindon (GB)

(**) Term: **15 Years**

(21) Appl. No.: **29/626,922**

(22) Filed: **Nov. 21, 2017**

(51) **LOC (12) Cl.** **24-02**

(52) **U.S. Cl.**
USPC **D24/224**

(58) **Field of Classification Search**
USPC D24/127, 128, 216, 222, 224, 225, 231;
D8/97, 300, 310, 349

(Continued)

(56) **References Cited**

U.S. PATENT DOCUMENTS

D238,693 S * 2/1976 Solazzi D24/232
4,848,103 A * 7/1989 Pelc F17C 3/085
62/51.1

(Continued)

FOREIGN PATENT DOCUMENTS

JP D2017-10718 * 5/2017

OTHER PUBLICATIONS

Janis Research Cryogenic Applications. Online, published date Jun. 13, 2012. Retrieved on Feb. 7, 2019 from URL: https://www.youtube.com/watch?v=TUC8YSRP_gc.*

(Continued)

Primary Examiner — Susan Bennett Hattan

Assistant Examiner — Omeed Agilee

(74) *Attorney, Agent, or Firm* — Calfee, Halter & Griswold LLP

(57) **CLAIM**

We claim the ornamental design for a cryostat, as shown and described.

DESCRIPTION

FIG. 1 is a front, right, and top perspective view of a cryostat with the optional insert and the cover removed to disclose details of the cryostat not otherwise discernible from the drawings;

FIG. 2 is another front, right, and top perspective view thereof at a slightly different angle;

FIG. 3 is a front elevational view thereof;

FIG. 4 is a rear elevational view thereof;

FIG. 5 is a right side elevational view thereof;

FIG. 6 is a left side elevational view thereof;

FIG. 7 is a top plan view thereof; and

FIG. 8 is a bottom plan view thereof.

FIG. 9 is a front, right, and top perspective view of a cryostat showing the optional insert in place and with the cover removed to disclose details of the cryostat not otherwise discernible from the drawings;

FIG. 10 is a front, right, and top perspective view thereof with the optional insert elevated;

FIG. 11 is a front elevational view thereof with the optional insert in place;

FIG. 12 is a rear elevational view thereof;

FIG. 13 is a right side elevational view thereof;

FIG. 14 is a left side elevational view thereof;

FIG. 15 is a top plan view thereof; and

FIG. 16 is a bottom plan view thereof.

FIG. 17 is a front, right, and top perspective view of a cryostat showing the cover in closed configuration and with the optional insert removed to disclose details of the cryostat not otherwise discernible from the drawings;

FIG. 18 is a front, right, and top perspective view thereof showing the cover in open configuration;

FIG. 19 is a front elevational view thereof showing the cover in closed configuration;

(Continued)

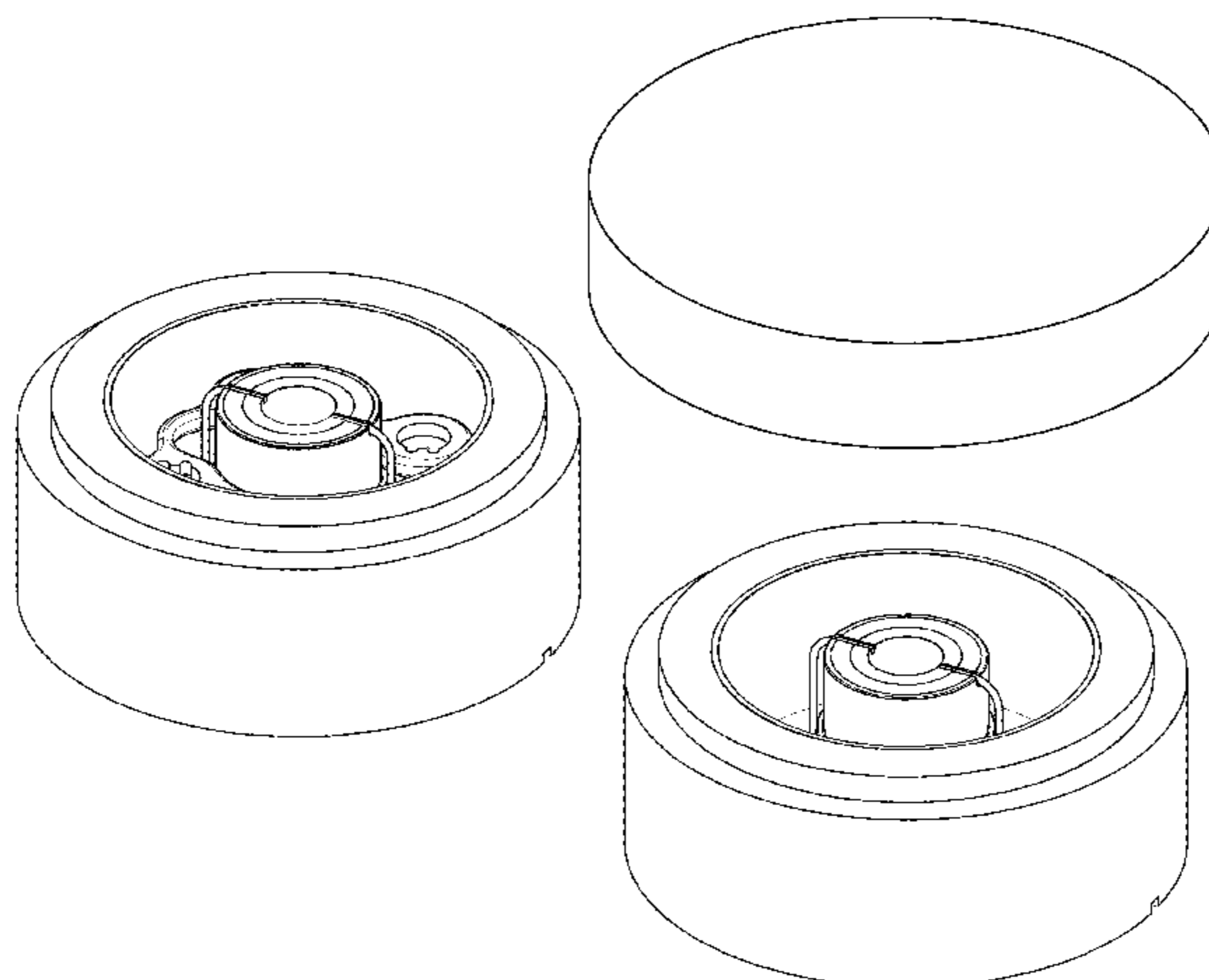


FIG. 20 is a rear elevational view thereof;
FIG. 21 is a right side elevational view thereof;
FIG. 22 is a left side elevational view thereof;
FIG. 23 is a top plan view thereof; and,
FIG. 24 is a bottom plan view thereof.
The broken lines depict portions of the cryostat that form no part of the claimed design.

1 Claim, 14 Drawing Sheets

(58) **Field of Classification Search**

CPC A01N 1/00; A01N 1/257; A01N 1/263;
A61B 10/0233; B24B 27/0023; B24B
27/04; B24B 37/04

See application file for complete search history.

(56) **References Cited**

U.S. PATENT DOCUMENTS

D522,145 S * 5/2006 Best D10/81
D628,709 S * 12/2010 Burdett, Jr. D24/216

D644,317 S * 8/2011 Tsao D24/108
D656,622 S * 3/2012 Gasser D24/224
D658,307 S * 4/2012 Recchi D24/216
D679,807 S * 4/2013 Burgess D24/121
D704,854 S * 5/2014 Wainwright D24/216
8,910,824 B2 * 12/2014 Gore F17C 13/06
220/560.03
D803,414 S * 11/2017 Tate D24/224
D827,151 S * 8/2018 Nakagawa D24/224
D827,856 S * 9/2018 Tate D24/224
2019/0025166 A1 * 1/2019 Schreibeis F25D 3/10

OTHER PUBLICATIONS

A precision cryostat design for manual and semi-automated cryo-
plunge instruments. Online, published date Nov. 22, 2016. Retrieved
on Feb. 13, 2019 from URL: <https://aip.scitation.org/doi/figure/10.1063/1.4967864>.*

* cited by examiner

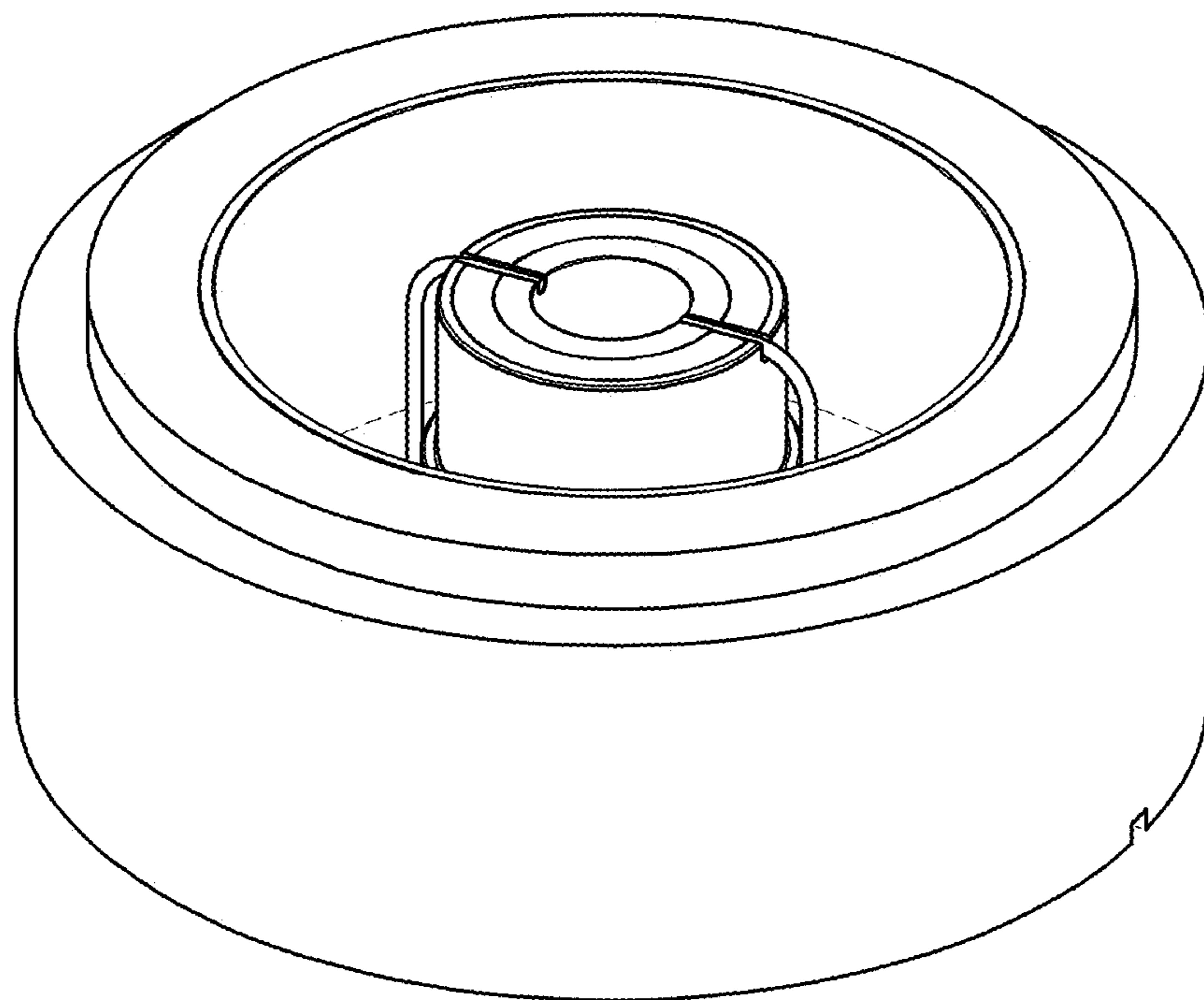


FIG. 1

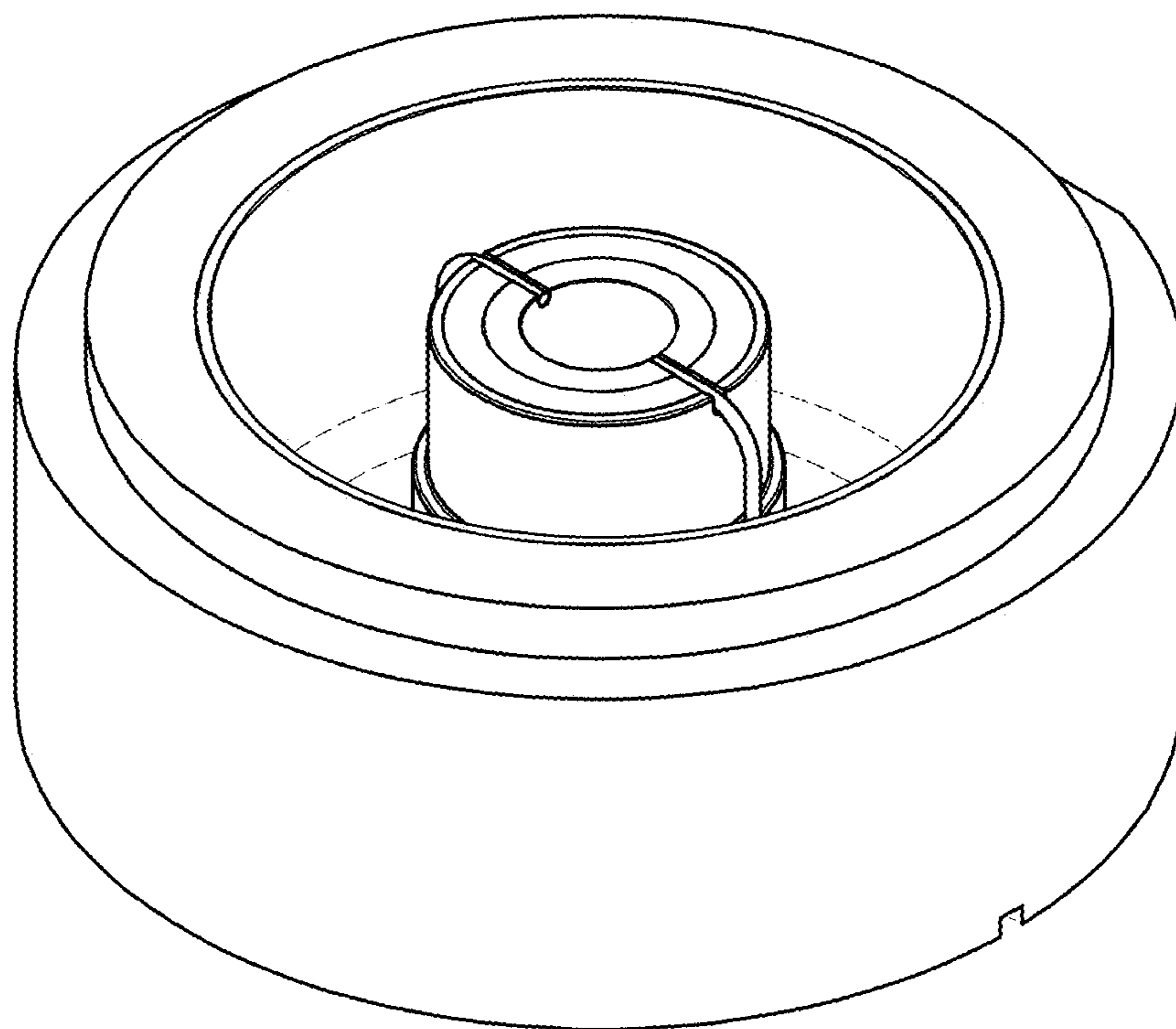


FIG. 2

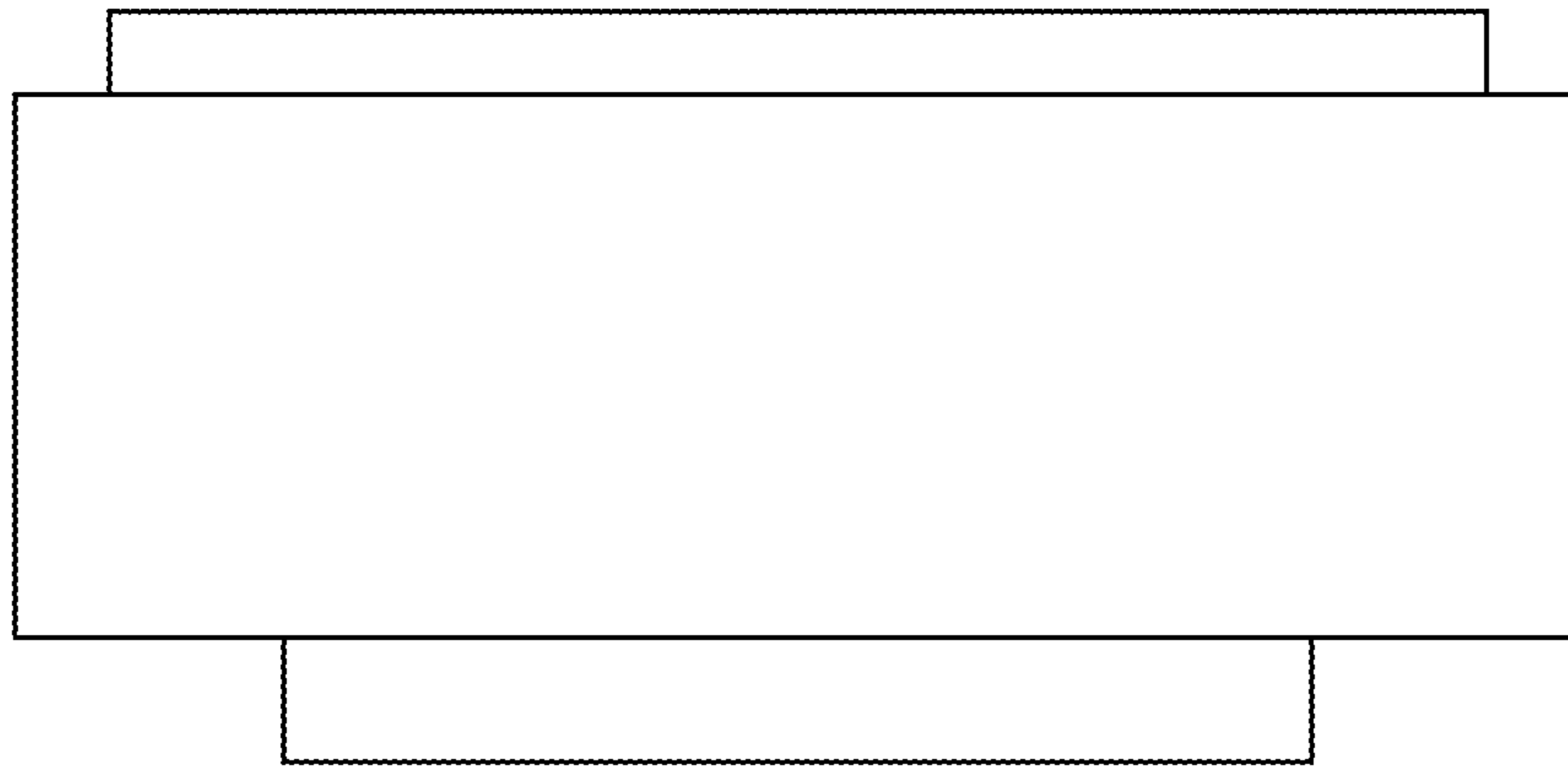


FIG. 3

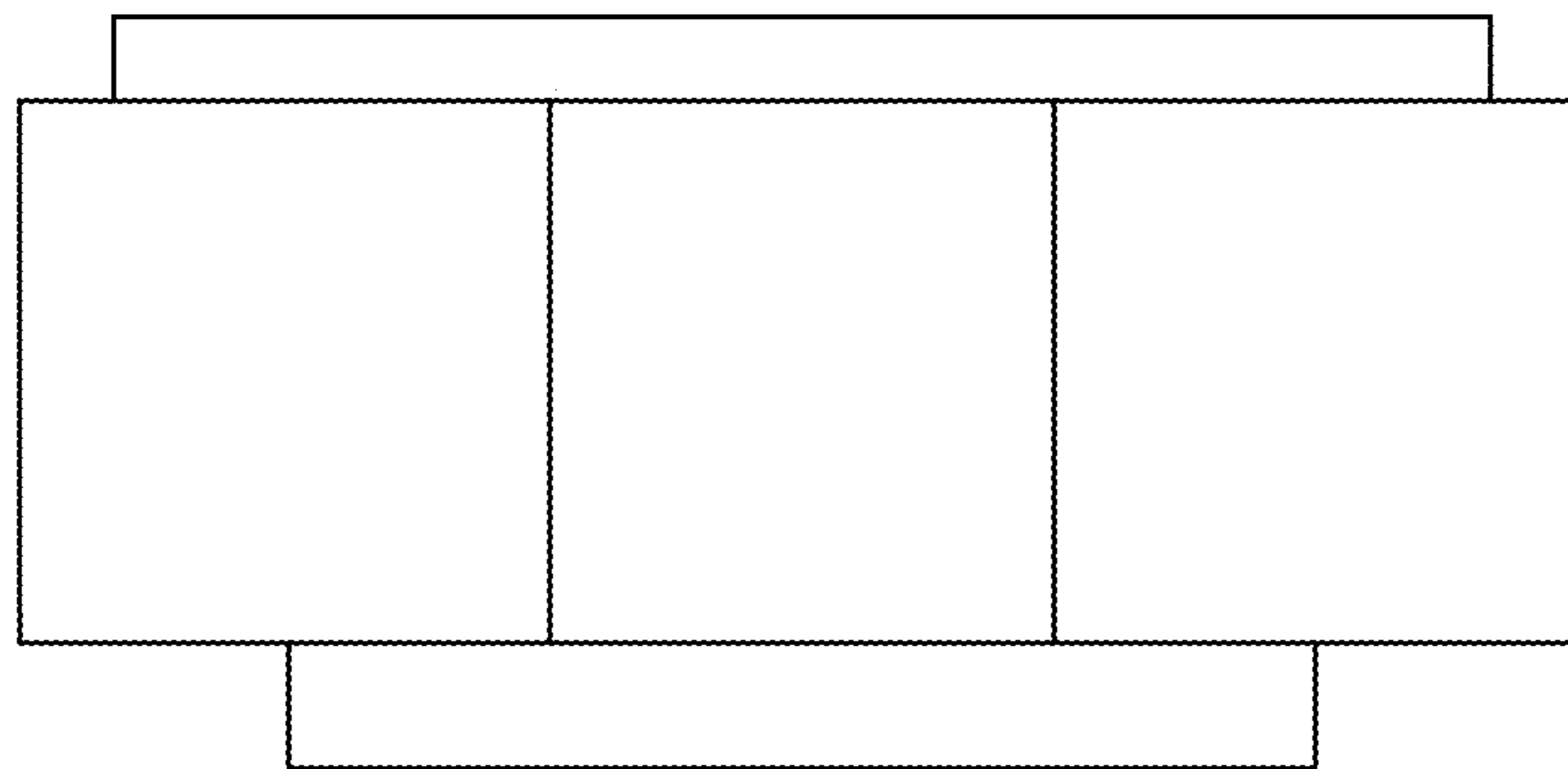


FIG. 4

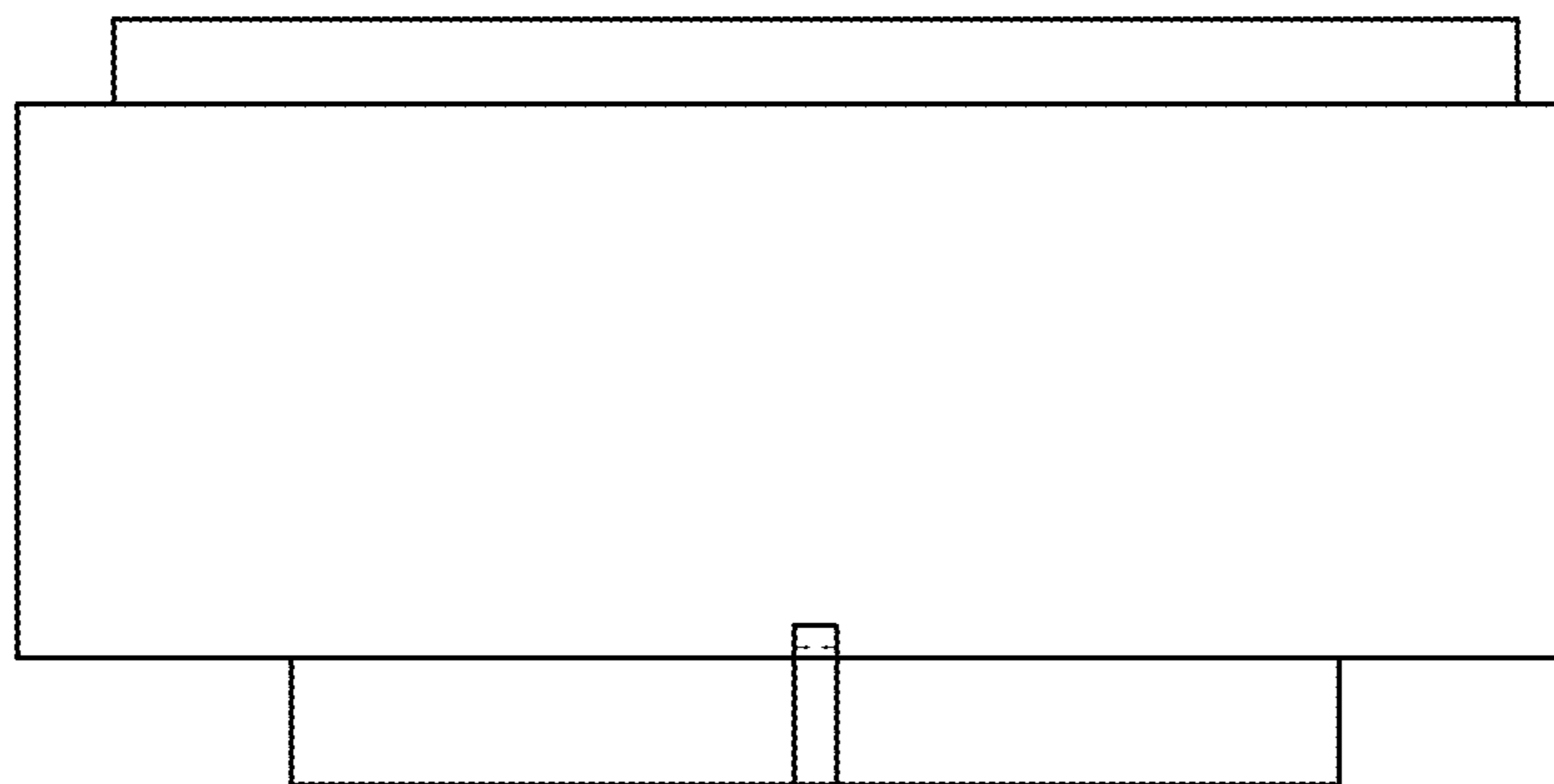


FIG. 5

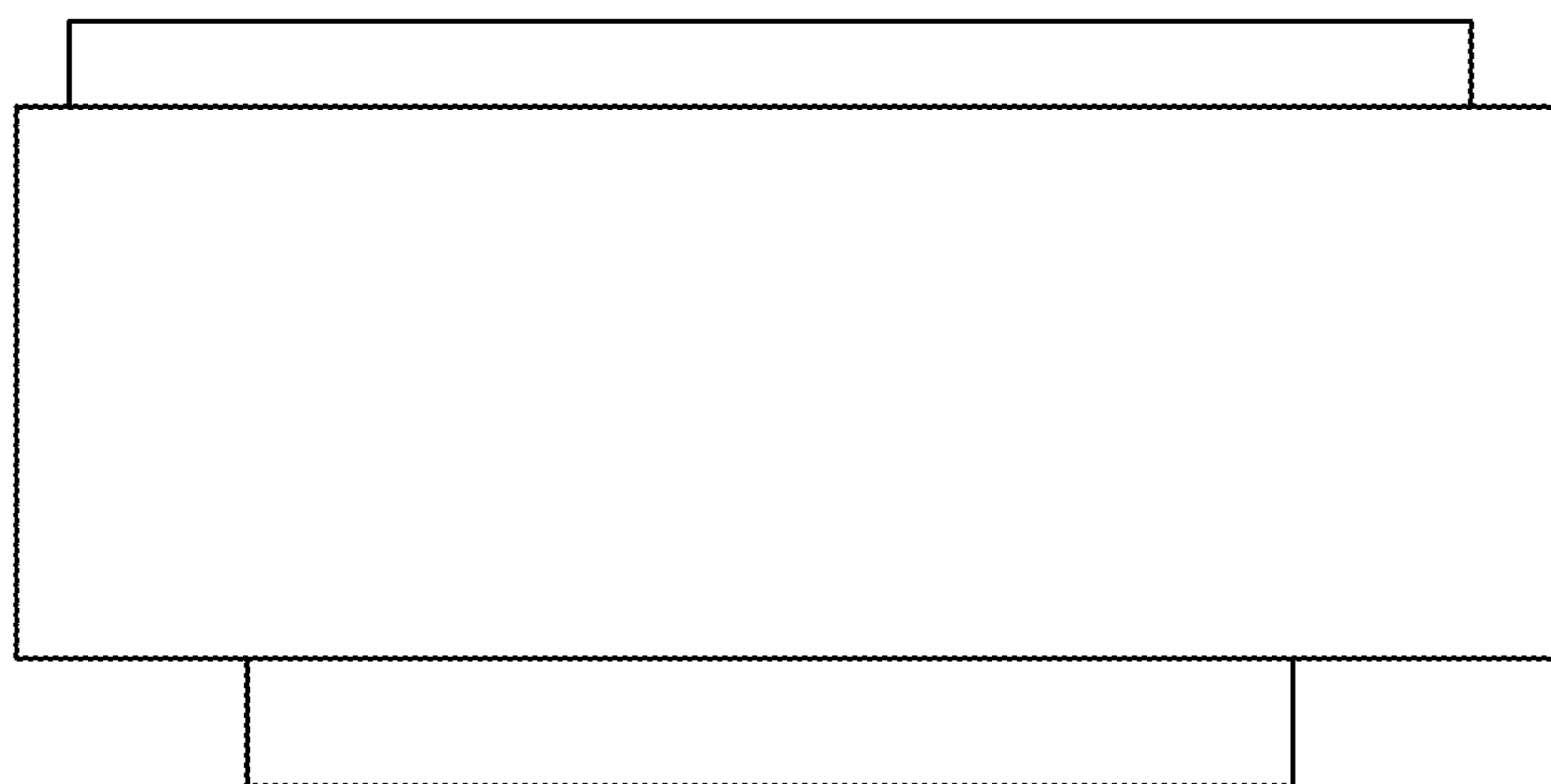


FIG. 6

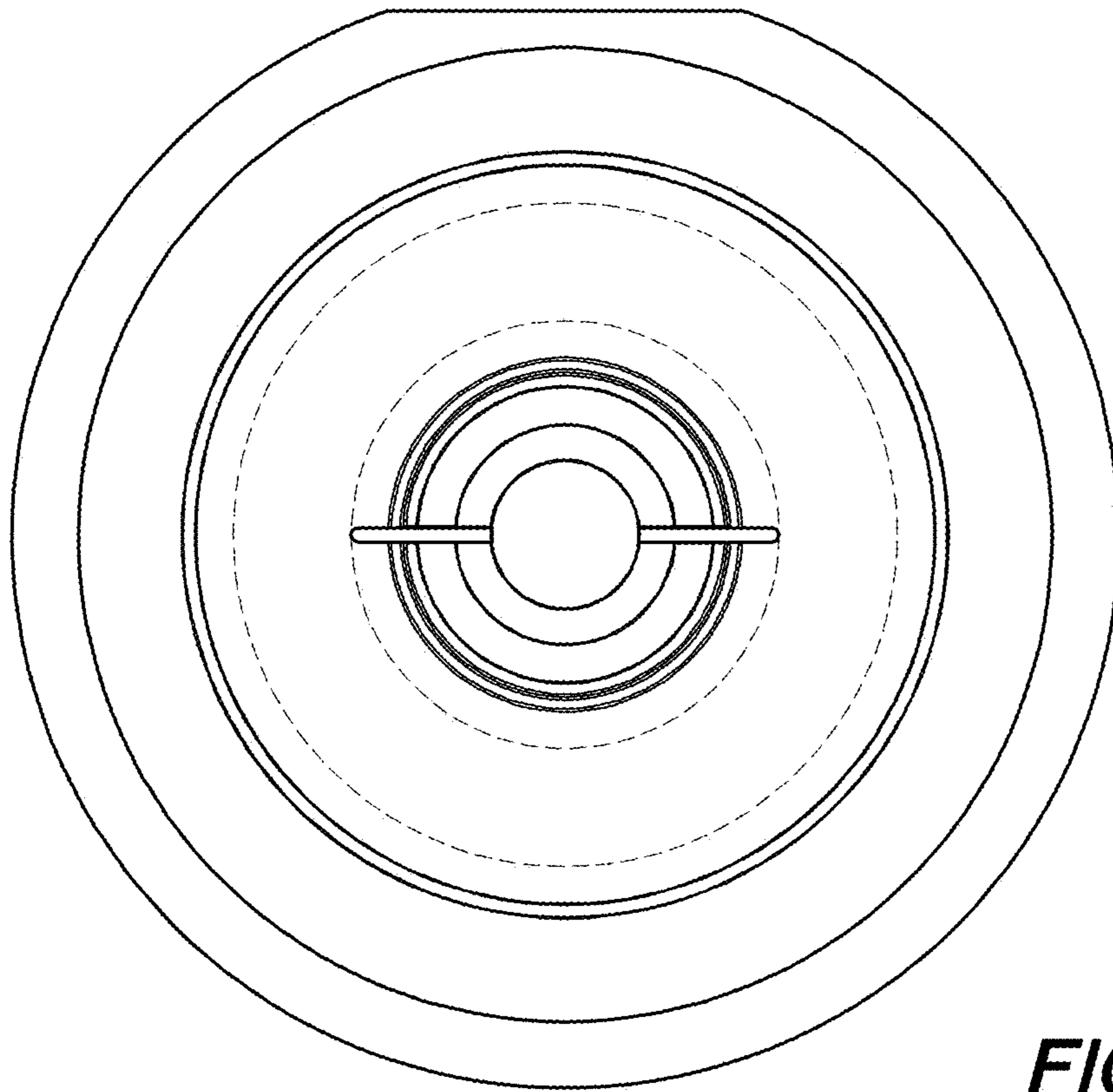


FIG. 7

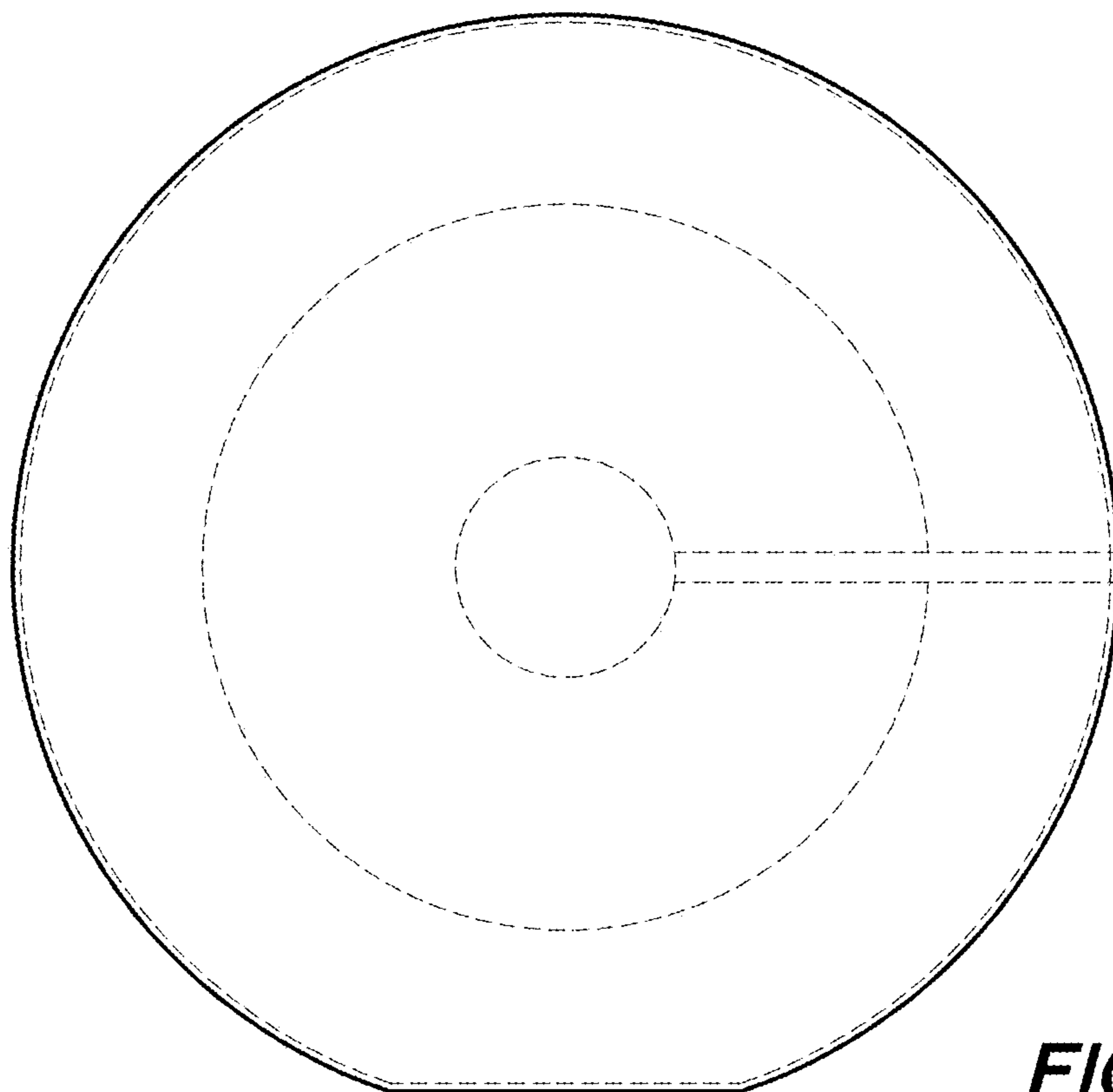


FIG. 8

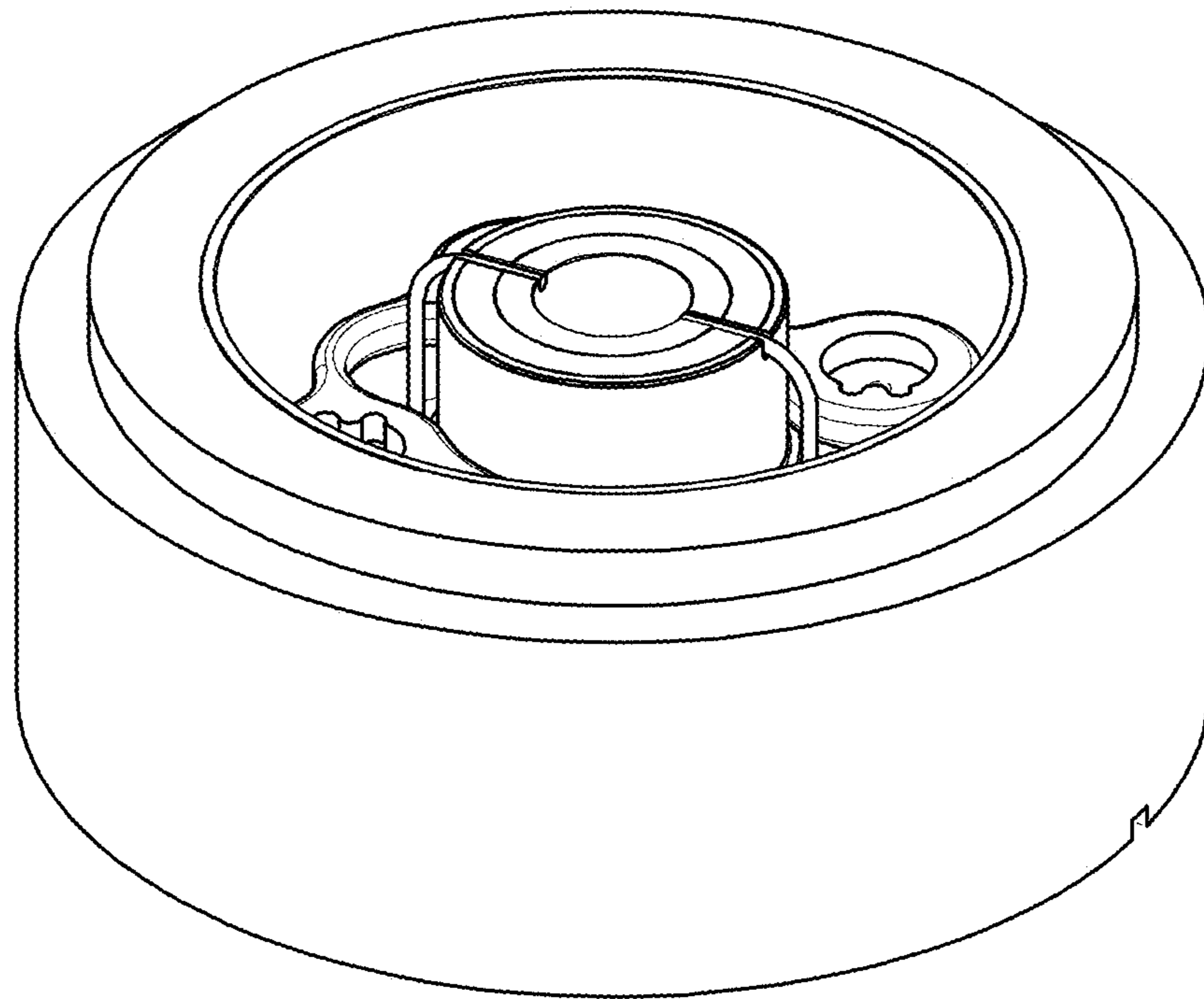


FIG. 9

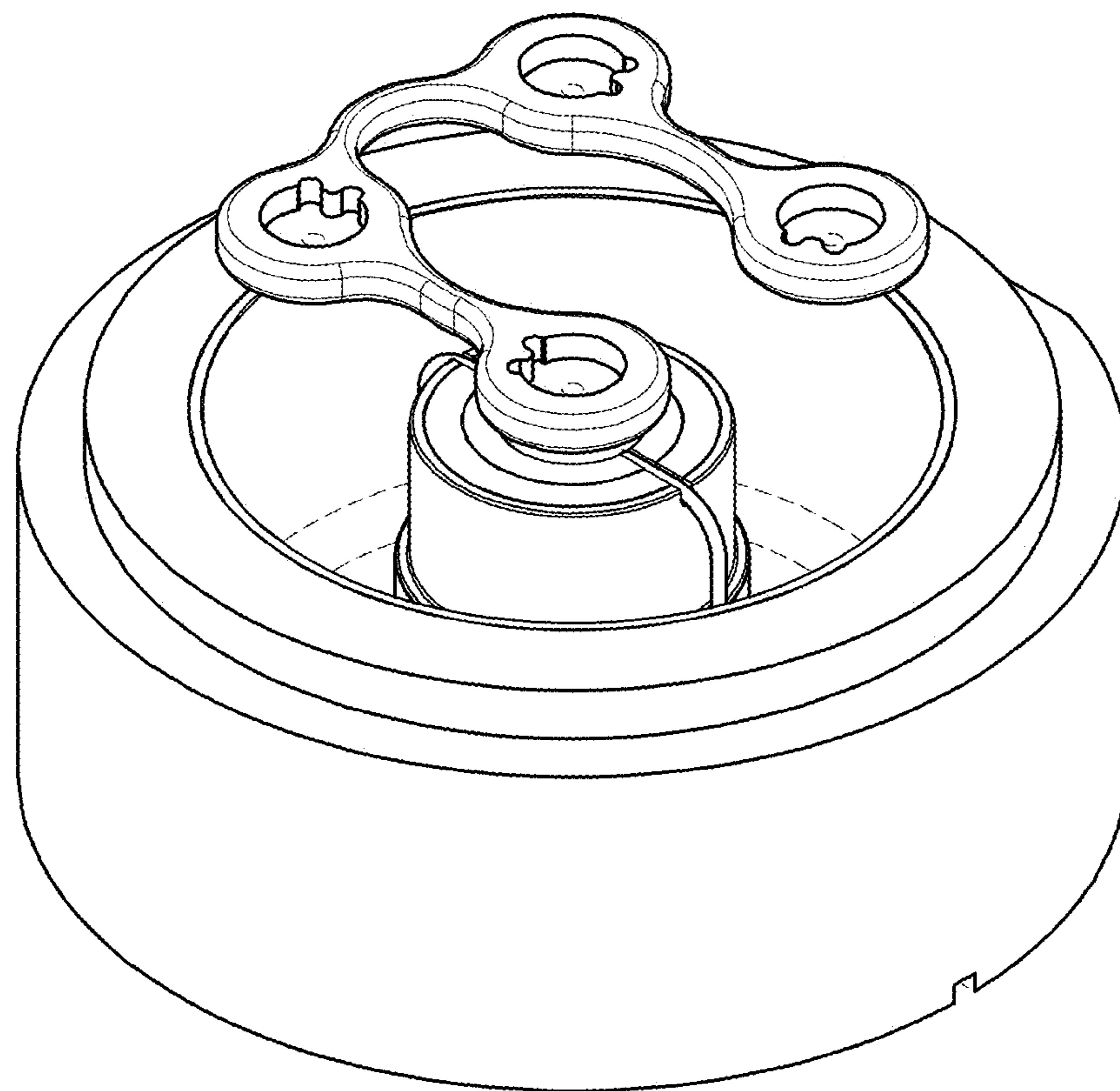


FIG. 10

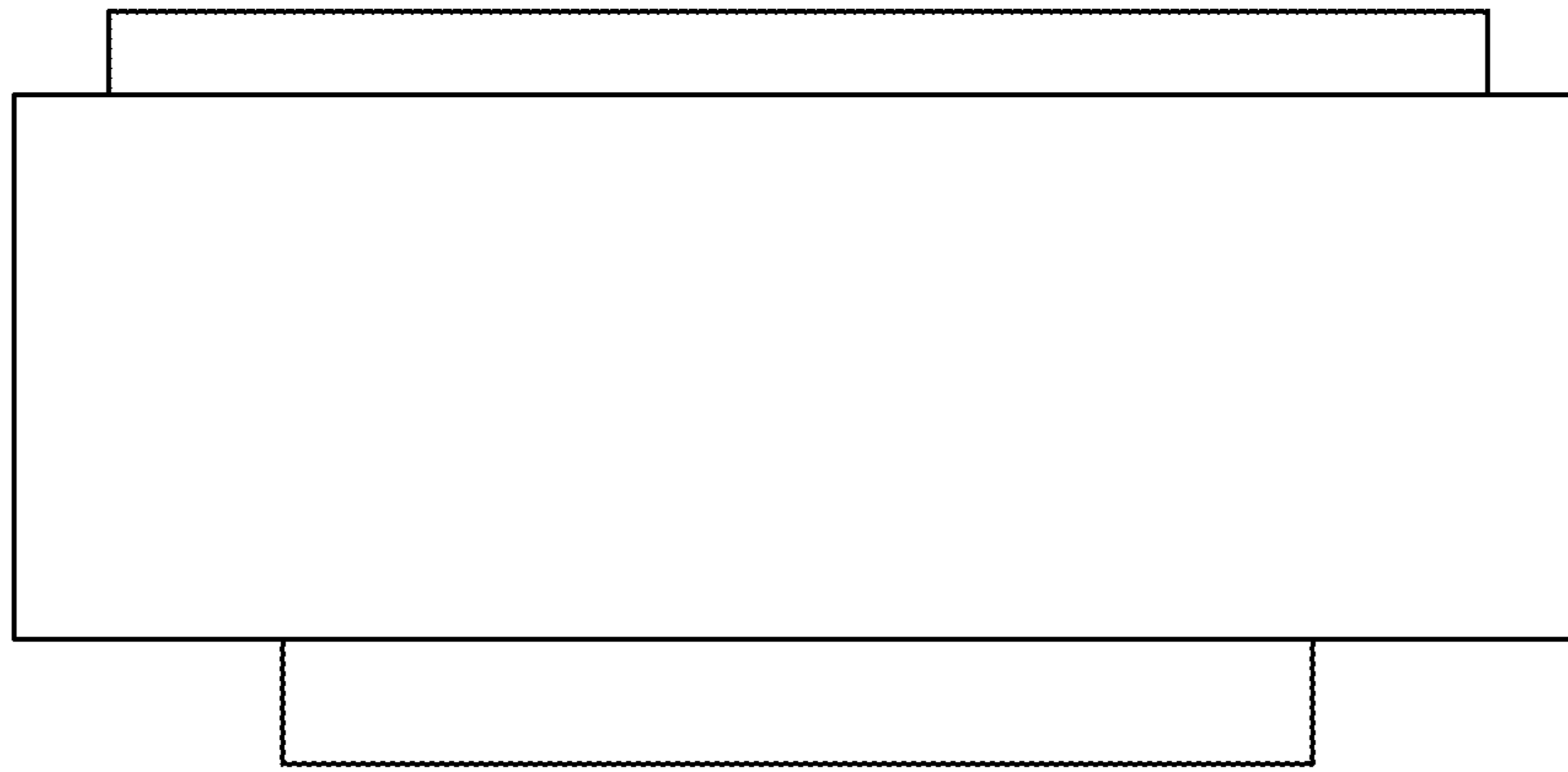


FIG. 11

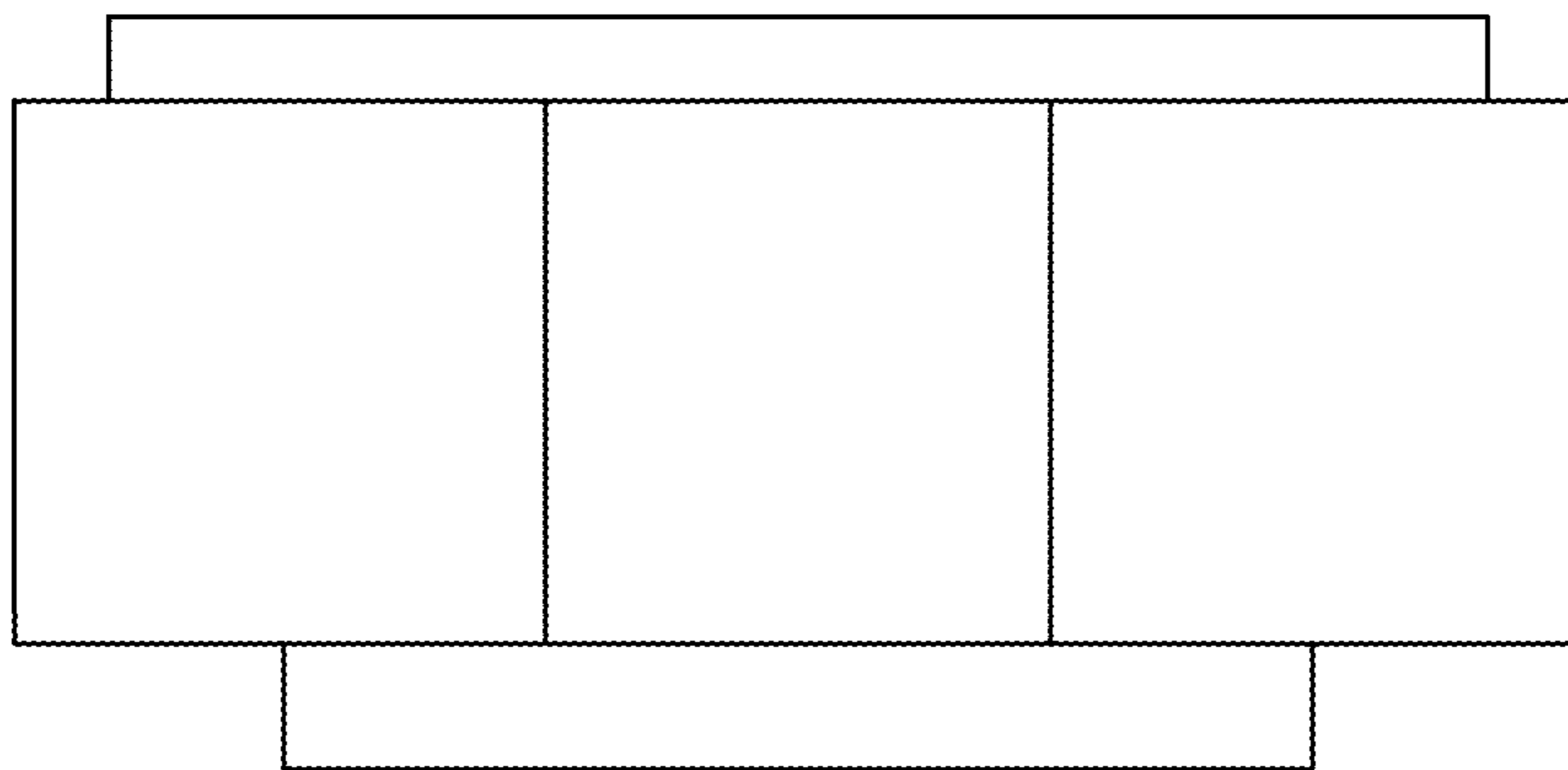


FIG. 12

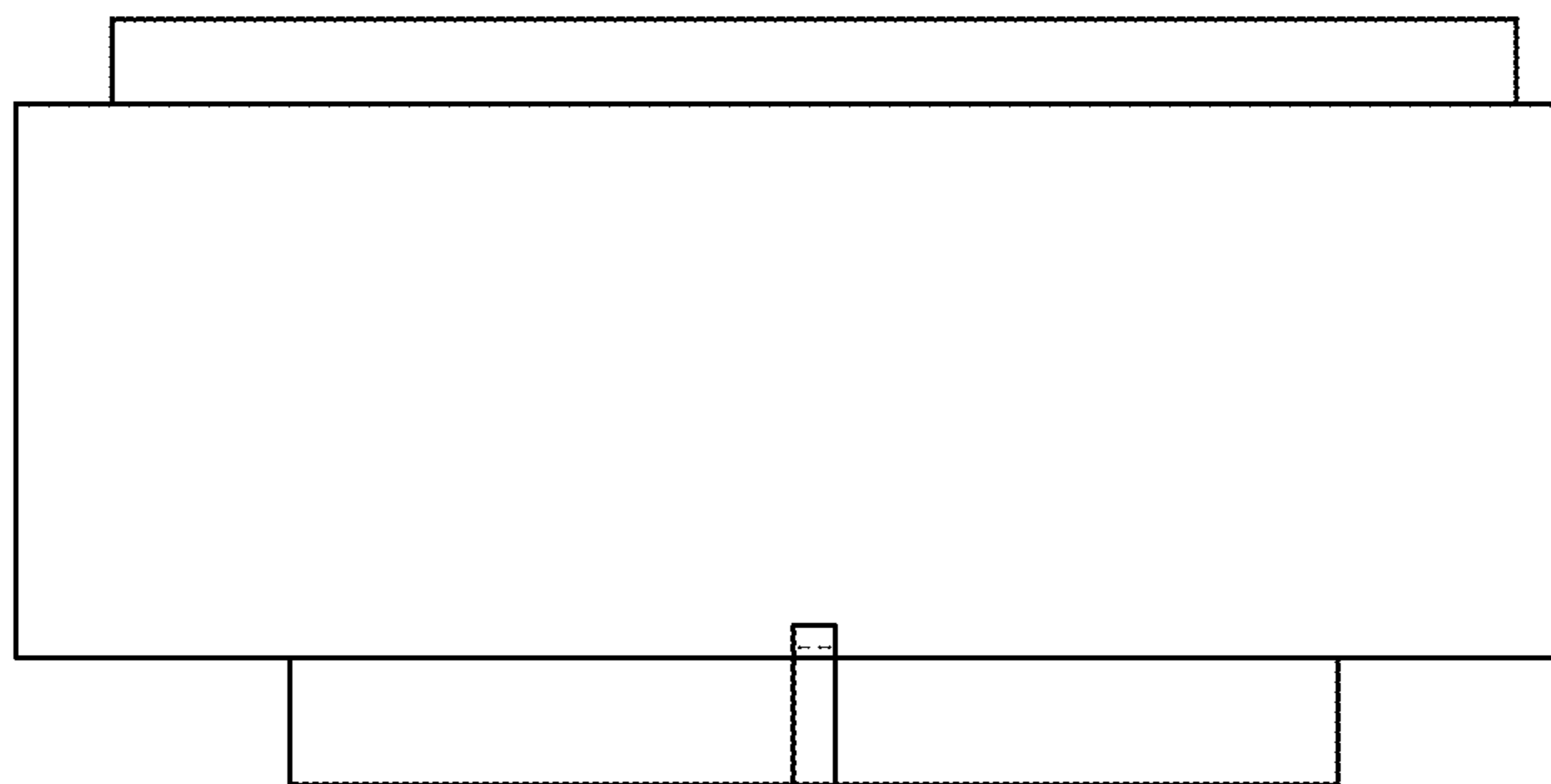


FIG. 13

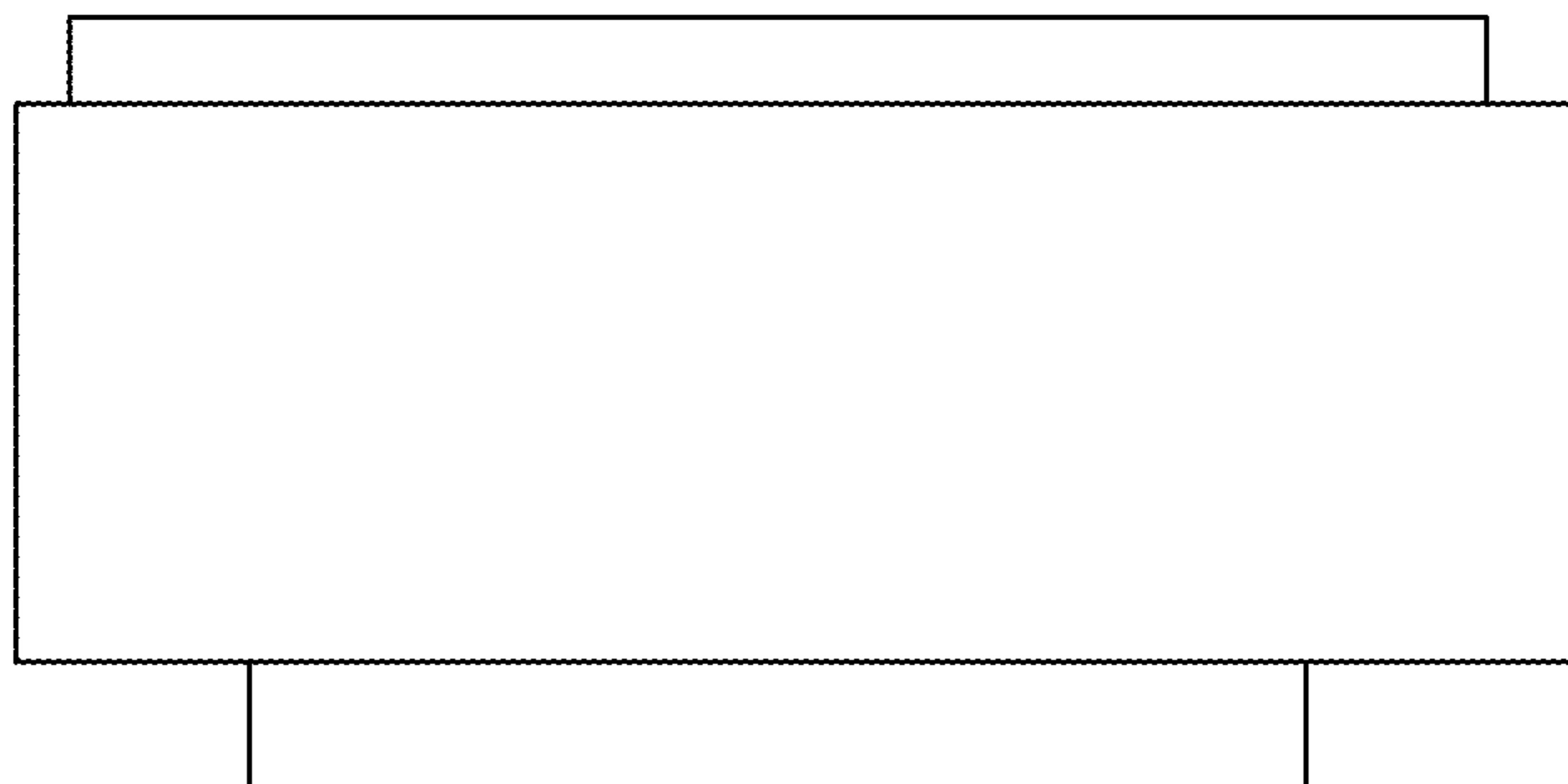


FIG. 14

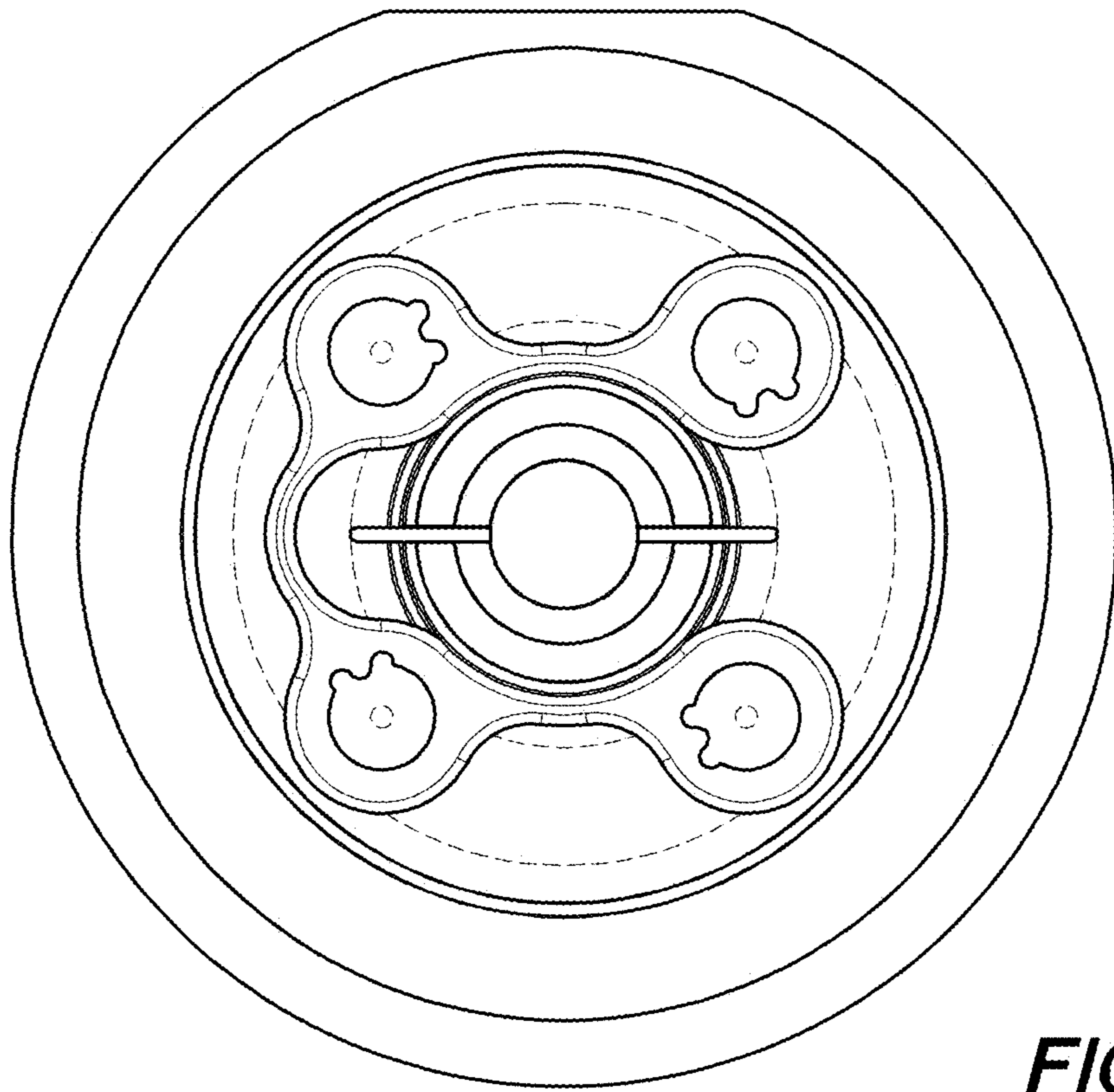


FIG. 15

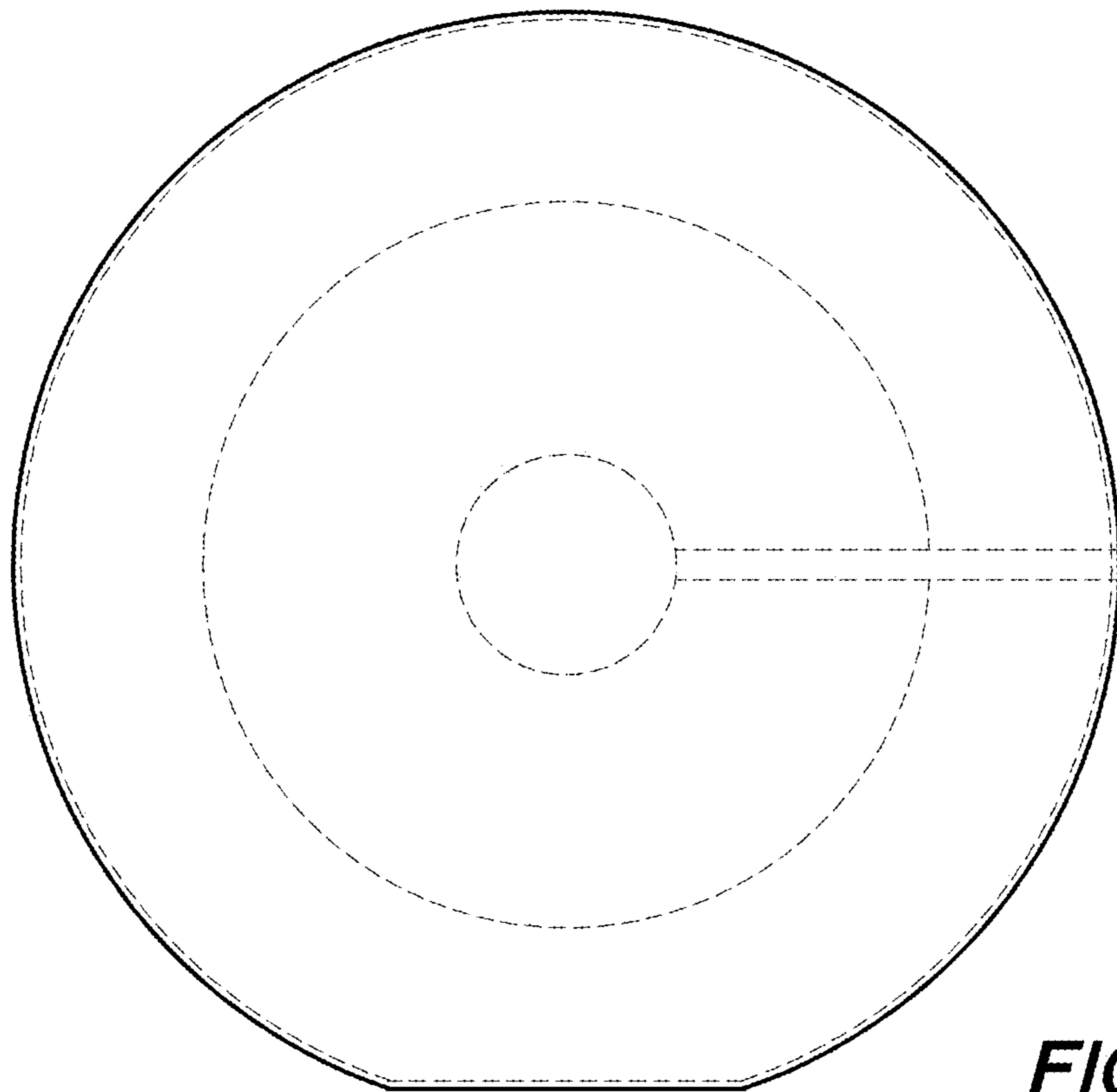


FIG. 16

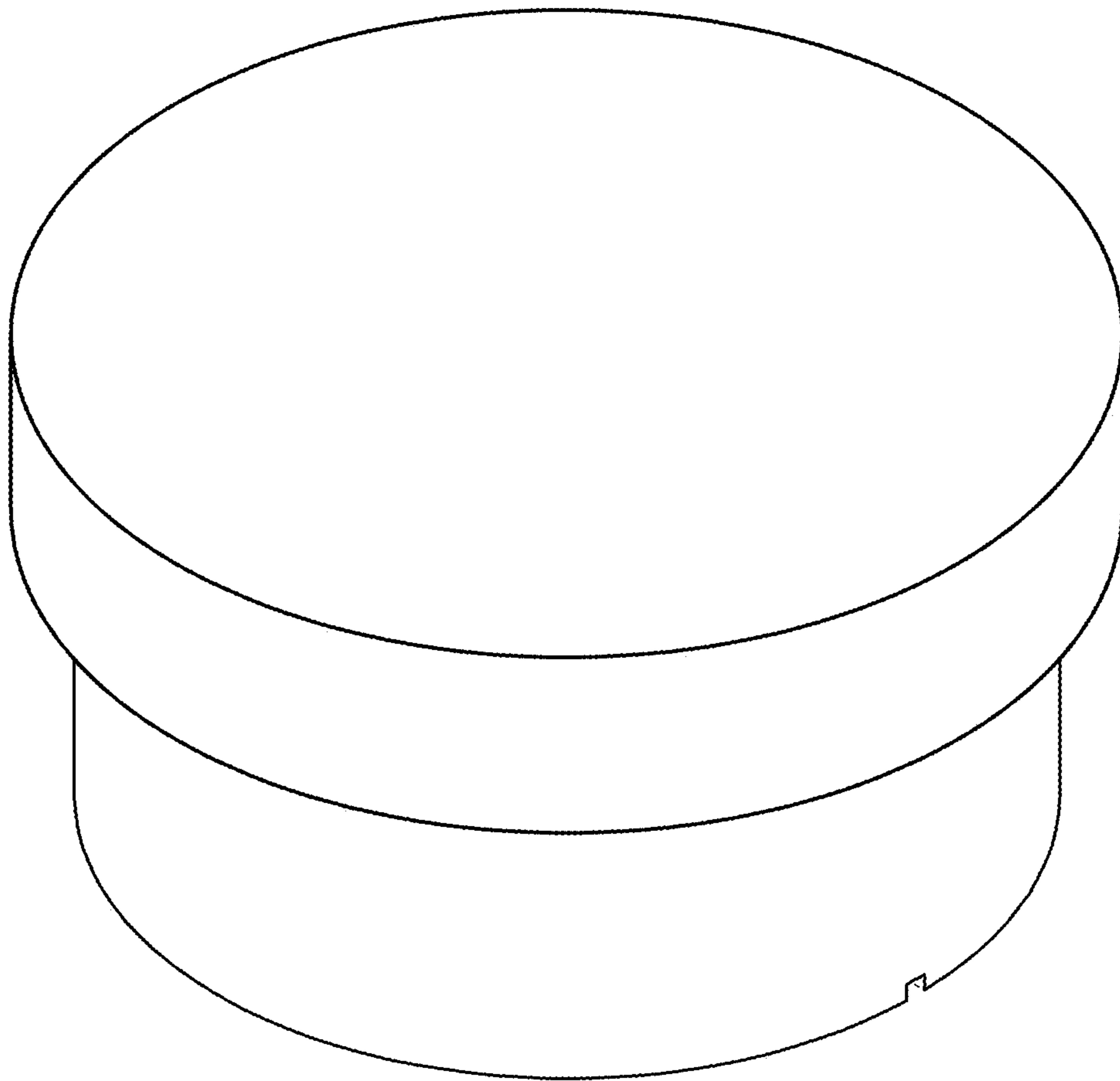


FIG. 17

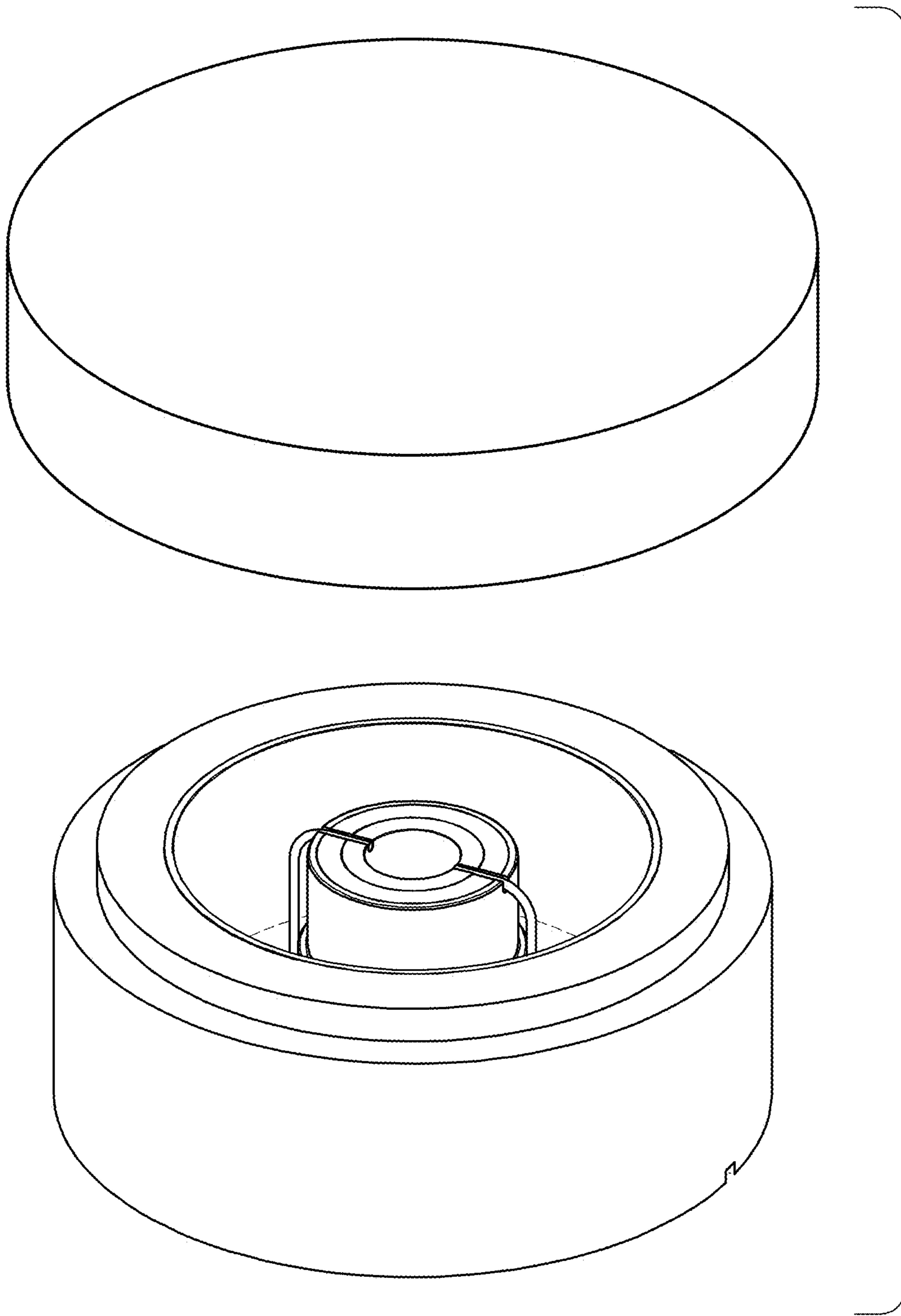


FIG. 18

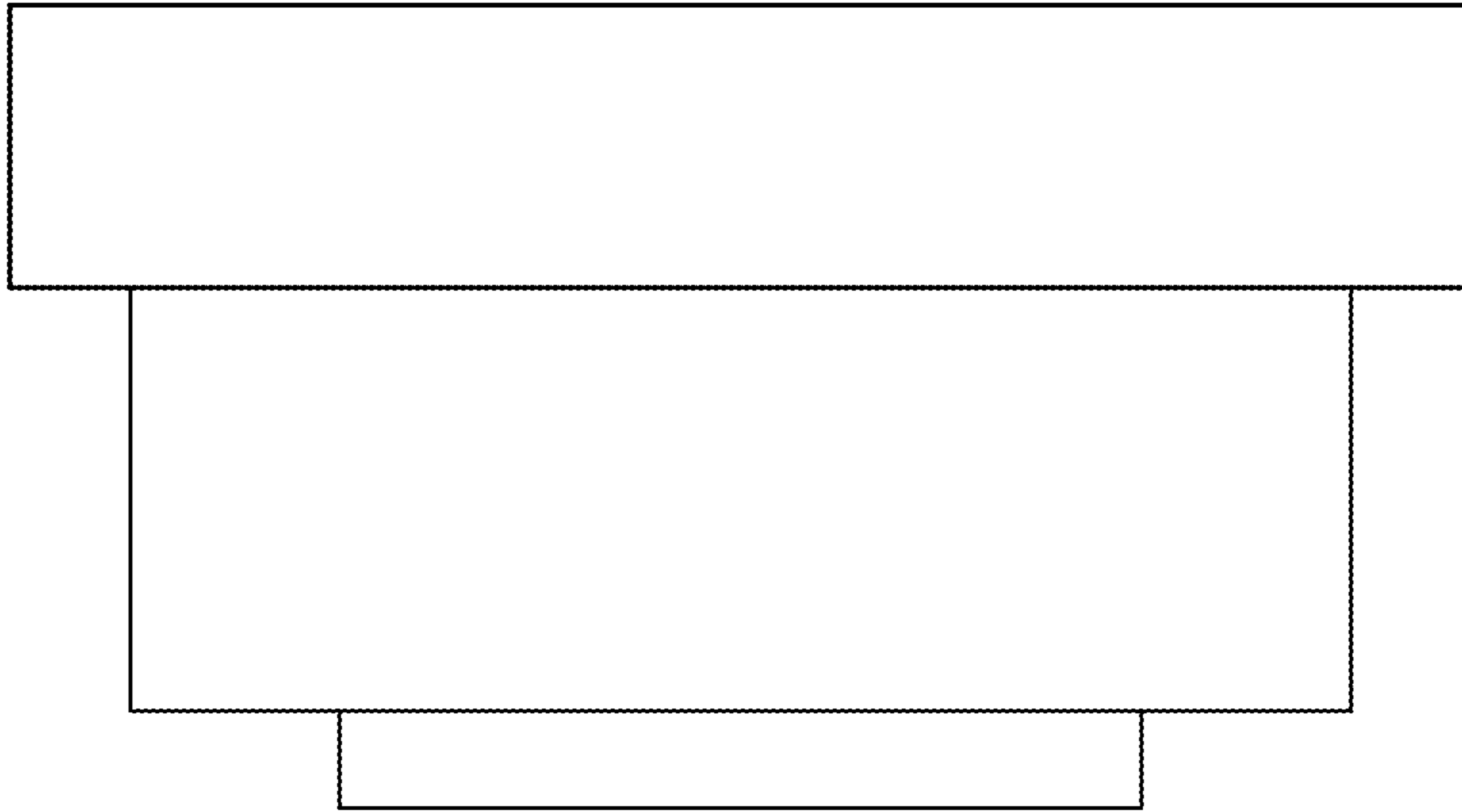


FIG. 19

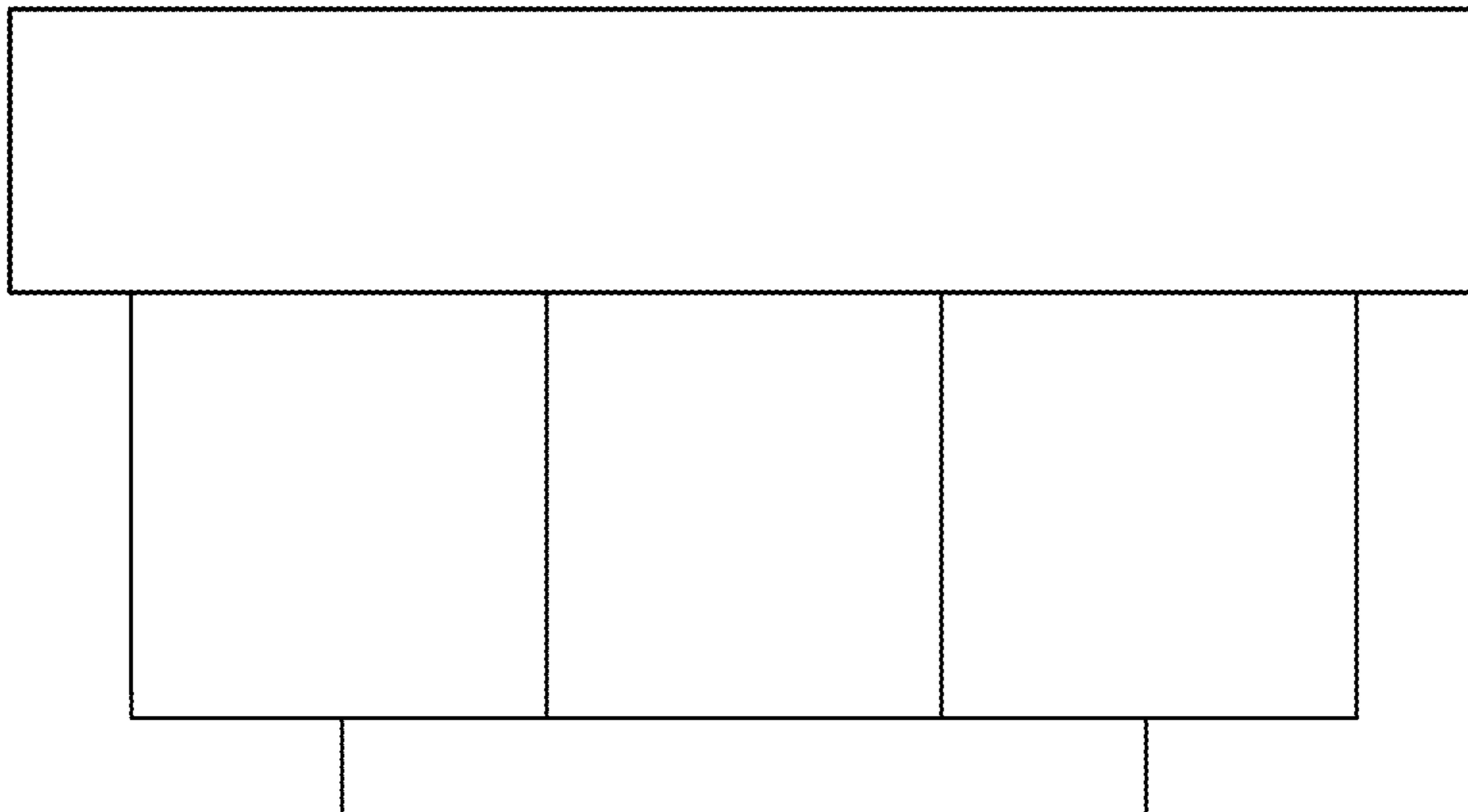


FIG. 20

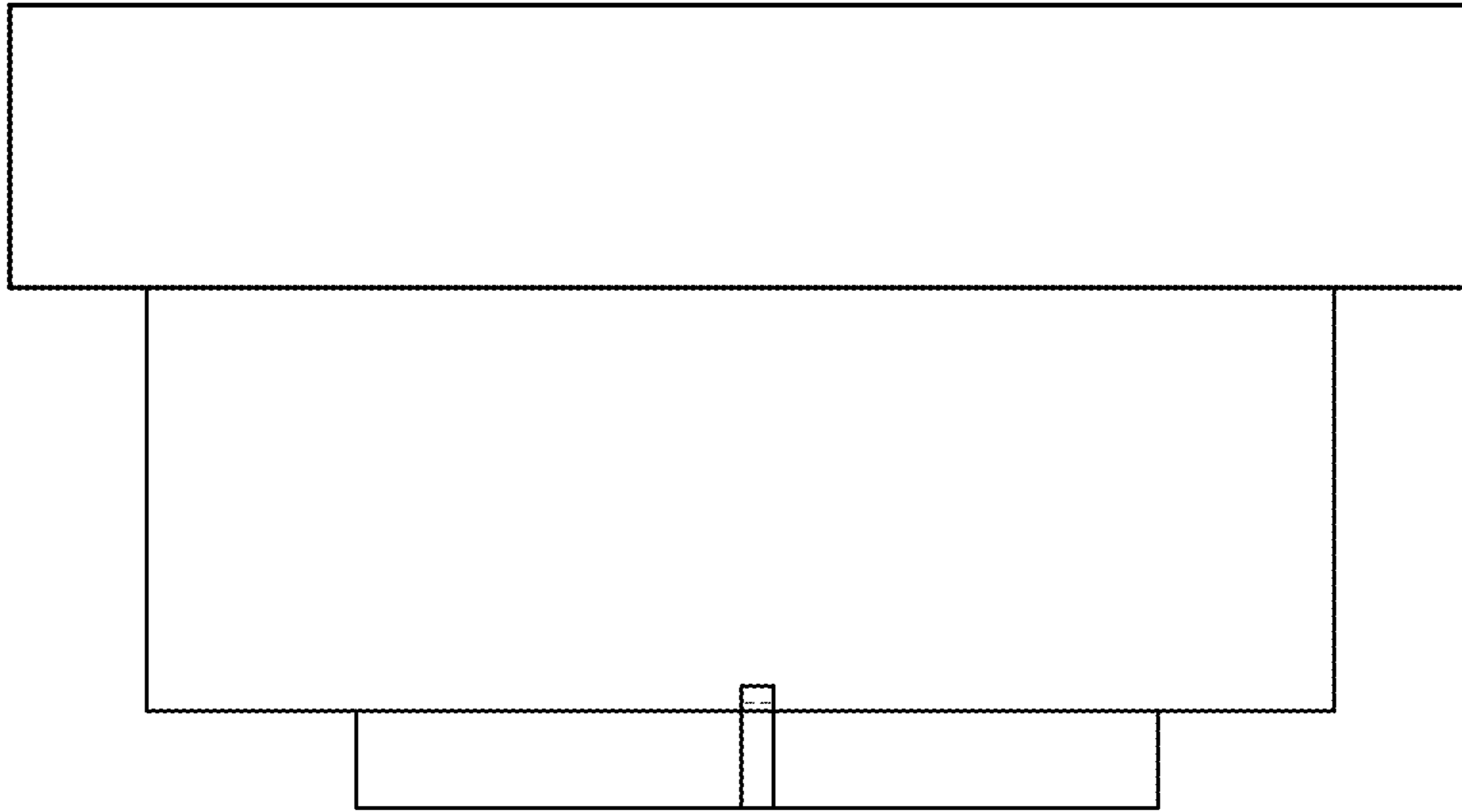


FIG. 21

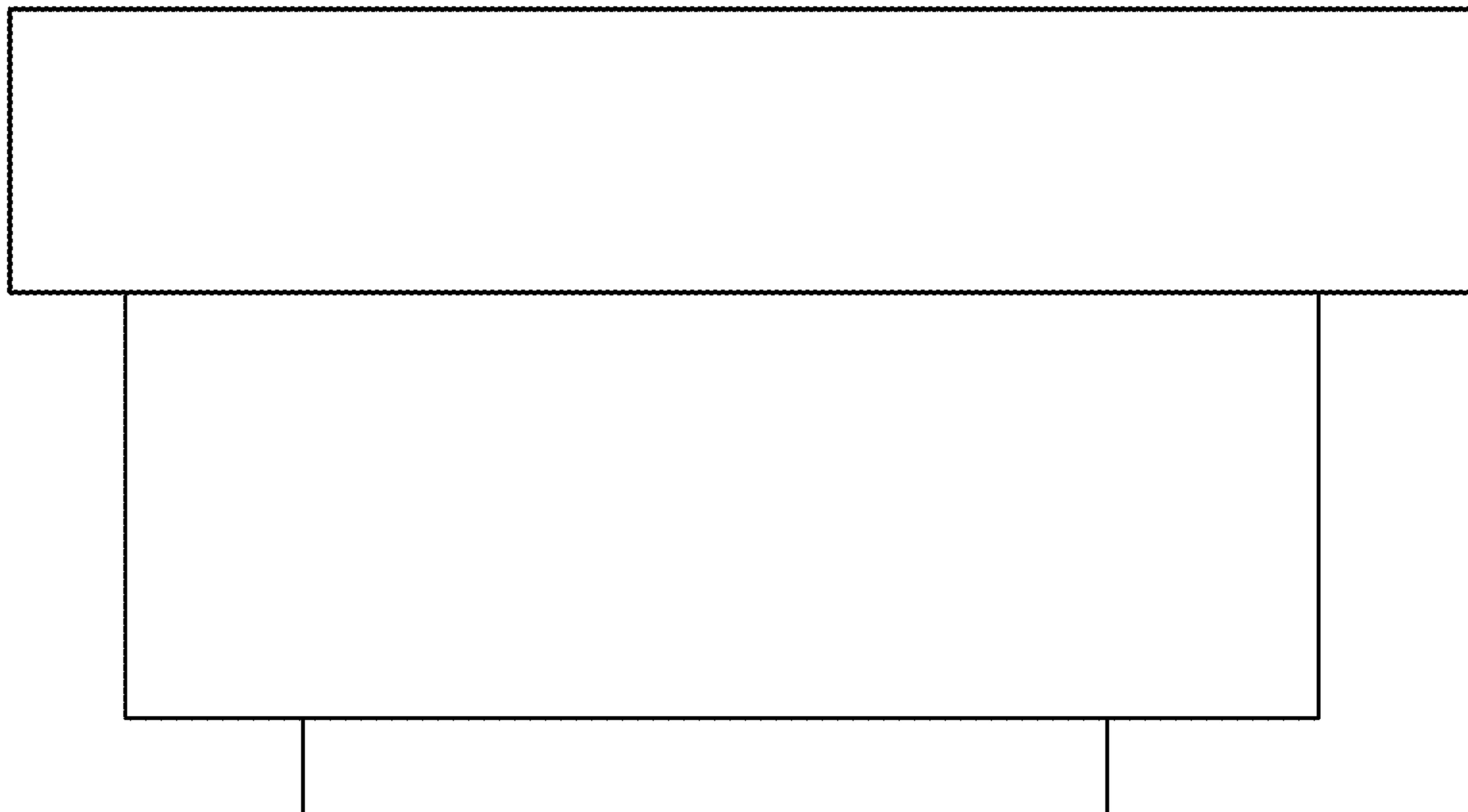


FIG. 22

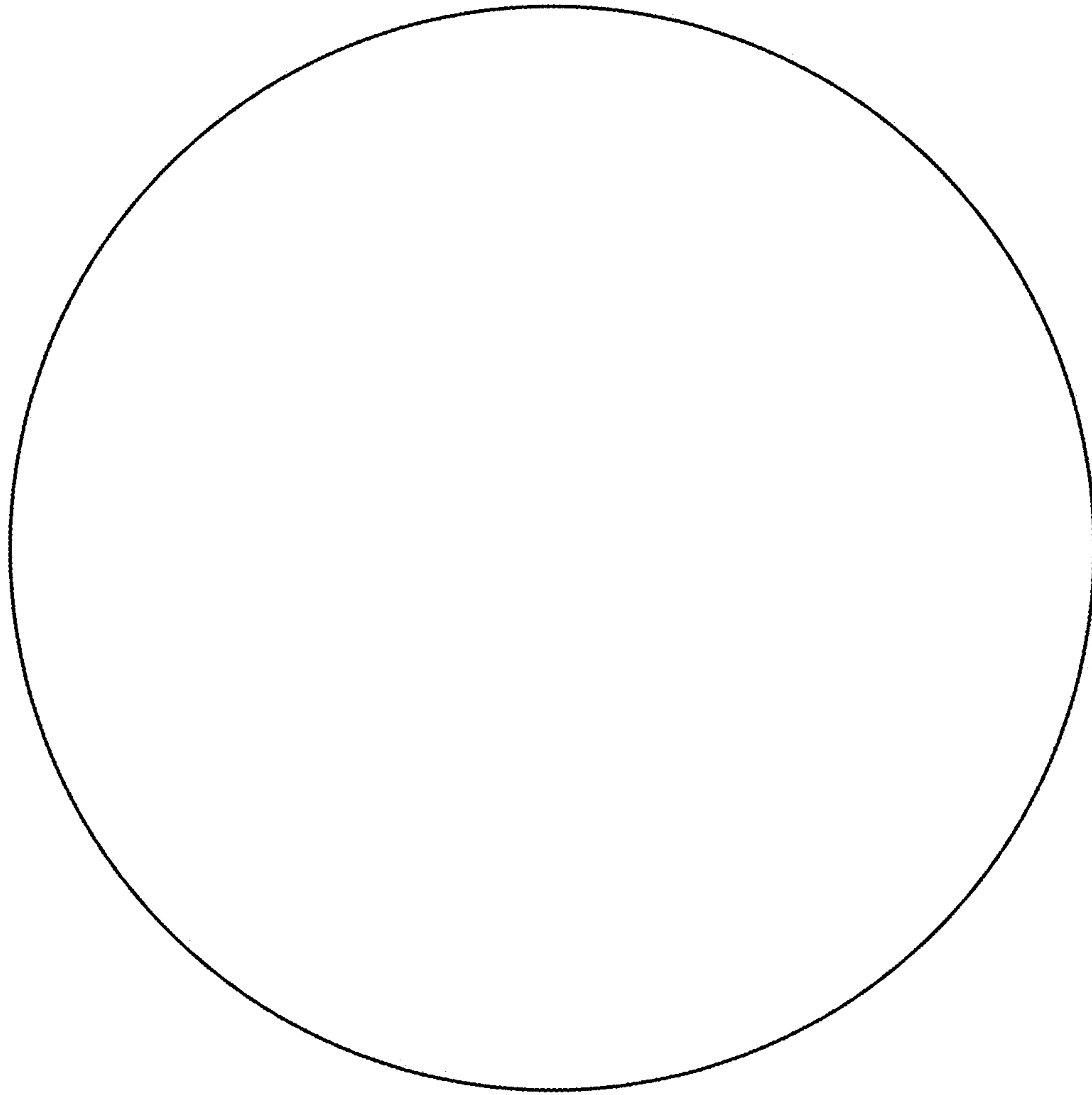


FIG. 23

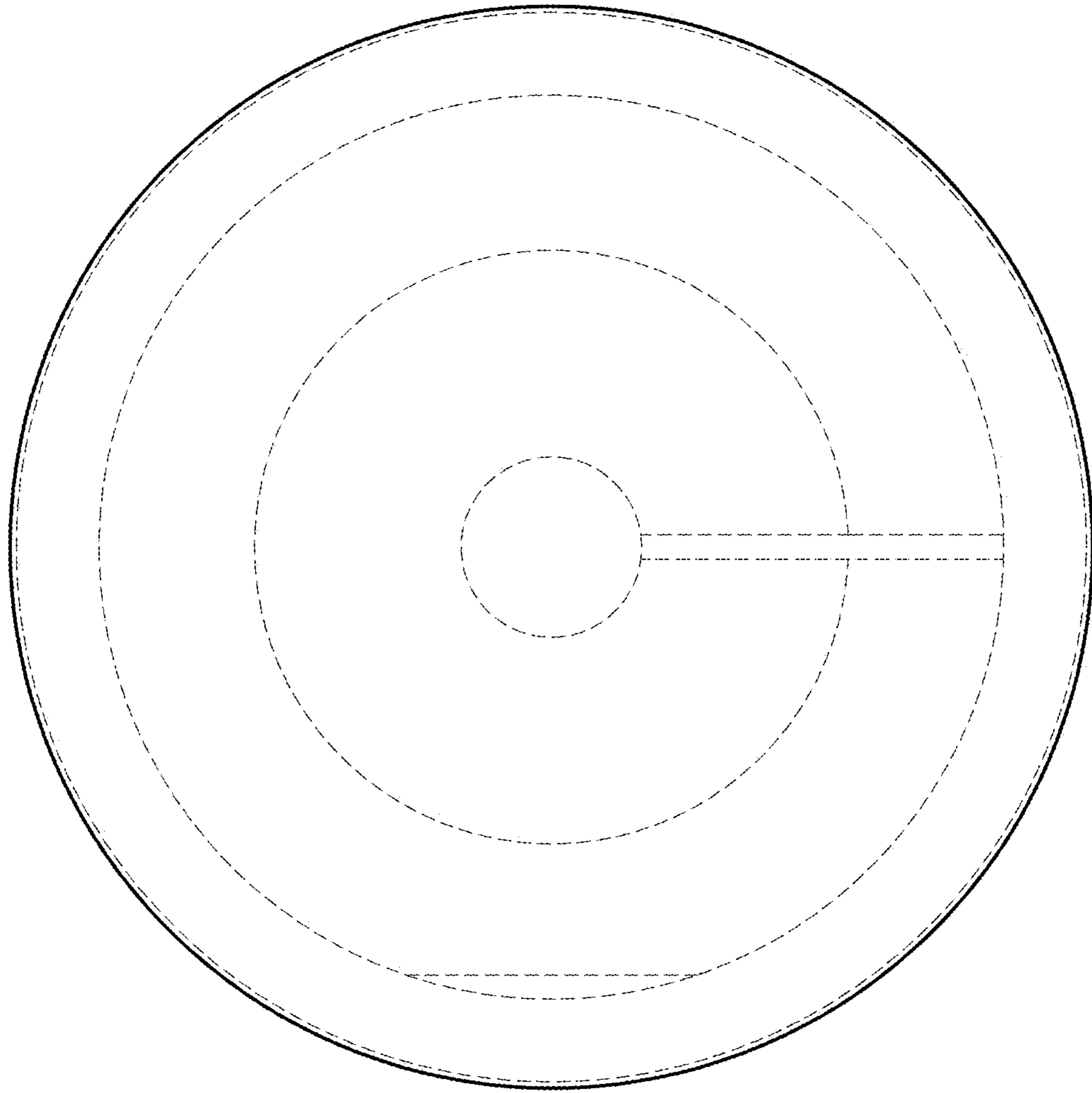


FIG. 24