



US00D877354S

(12) **United States Design Patent**
Schaff et al.

(10) **Patent No.:** **US D877,354 S**

(45) **Date of Patent:** **** Mar. 3, 2020**

(54) **CENTRIFUGE HOUSING**

(71) Applicant: **Sandstone Diagnostics, Inc.**,
Livermore, CA (US)

(72) Inventors: **Ulrich Schaff**, Livermore, CA (US);
Greg Sommer, Maple Grove, MN (US)

(73) Assignee: **Vium, Inc**, San Mateo, CA (US)

(**) Term: **15 Years**

(21) Appl. No.: **29/614,403**

(22) Filed: **Aug. 18, 2017**

(51) **LOC (12) Cl.** **24-02**

(52) **U.S. Cl.**
USPC **D24/224**

(58) **Field of Classification Search**
USPC D24/108, 109, 185, 186, 219;
D7/315-317, 598; D9/529, 537-540
CPC B01L 3/5055; E03C 1/104
See application file for complete search history.

(56) **References Cited**

U.S. PATENT DOCUMENTS

D211,466 S *	6/1968	Gulotta	D24/219
D303,147 S *	8/1989	Ota	D24/219
D412,160 S *	7/1999	Nelson	D14/435
D437,418 S *	2/2001	Suzuki	D24/219
D602,582 S *	10/2009	Pidgeon	D24/108
D630,313 S *	1/2011	Pidgeon	D24/108
D644,118 S *	8/2011	Giles	D24/224
D746,999 S *	1/2016	Jonsson	D24/216
D754,861 S *	4/2016	O'Driscoll	D16/101
D788,897 S *	6/2017	Lee	D23/356
D791,955 S *	7/2017	Gilbert	D24/109
D799,024 S *	10/2017	Gilbert	D24/109
D809,646 S *	2/2018	Mason	D24/109
D827,831 S *	9/2018	Fong	D24/167
D828,542 S *	9/2018	Mason	D24/109

OTHER PUBLICATIONS

Eppendorf™ MiniSpin™ and MiniSpin Plus™ Microcentrifuges. Online, published date unknown. Retrieved on Sep. 23, 2018 from URL: <https://www.fishersci.com/shop/products/eppendorf-minispin-minispin-plus-microcentrifuges-3/p-138691>.
The Purest Plasma. Online, published date unknown. Retrieved on Sep. 23, 2018 from URL: <https://sandstonedx.com/pages/plasma-separation/>.

* cited by examiner

Primary Examiner — Susan Bennett Hattan

Assistant Examiner — Omeed Agilee

(74) *Attorney, Agent, or Firm* — Kim Rubin Patent Agent

(57) **CLAIM**

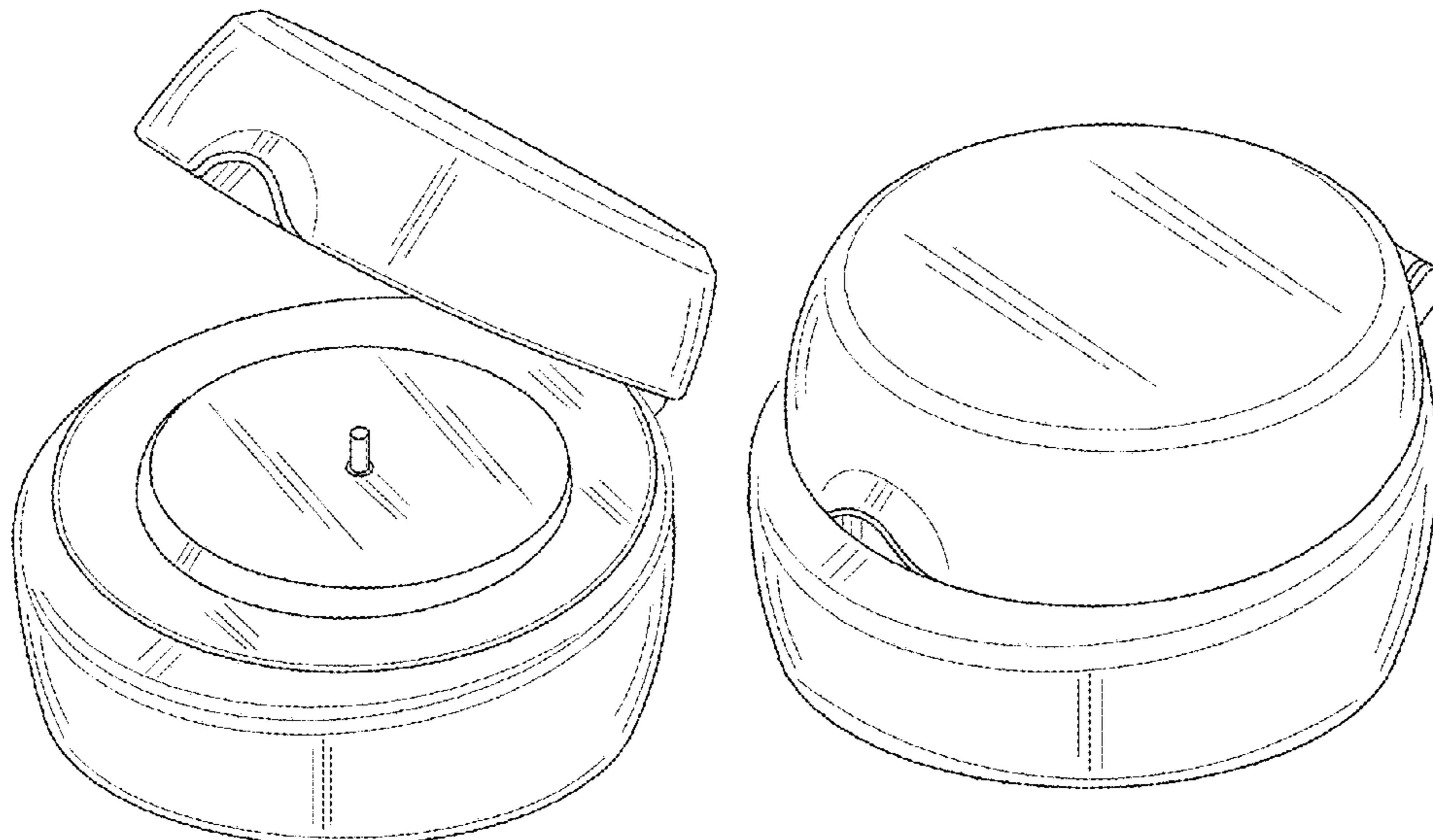
The ornamental design for a centrifuge housing, as shown and described.

DESCRIPTION

FIG. 1 is a side view of the centrifuge housing, open; FIG. 2 is a front view of the centrifuge housing, open; FIG. 3 is a perspective view of the centrifuge housing, open; FIG. 4 is a top of the centrifuge housing, closed; FIG. 5 is a first side view of the centrifuge housing, closed; FIG. 6 is a front view of the centrifuge housing, closed; FIG. 7 is a second side view of the centrifuge housing, closed; FIG. 8 is a back view of the centrifuge housing, closed; FIG. 9 is a bottom view of the centrifuge housing; and, FIG. 10 is a perspective view of the centrifuge housing, closed.

The short-dash-short dash-long dash broken lines in FIG. 9 inside the perimeter of the article and outside of the perimeter of five legs depict the boundaries of the claim and form no part thereof. The evenly spaced broken lines in the drawings depict portions of the cartridge housing that form no part of the claimed design.

1 Claim, 5 Drawing Sheets



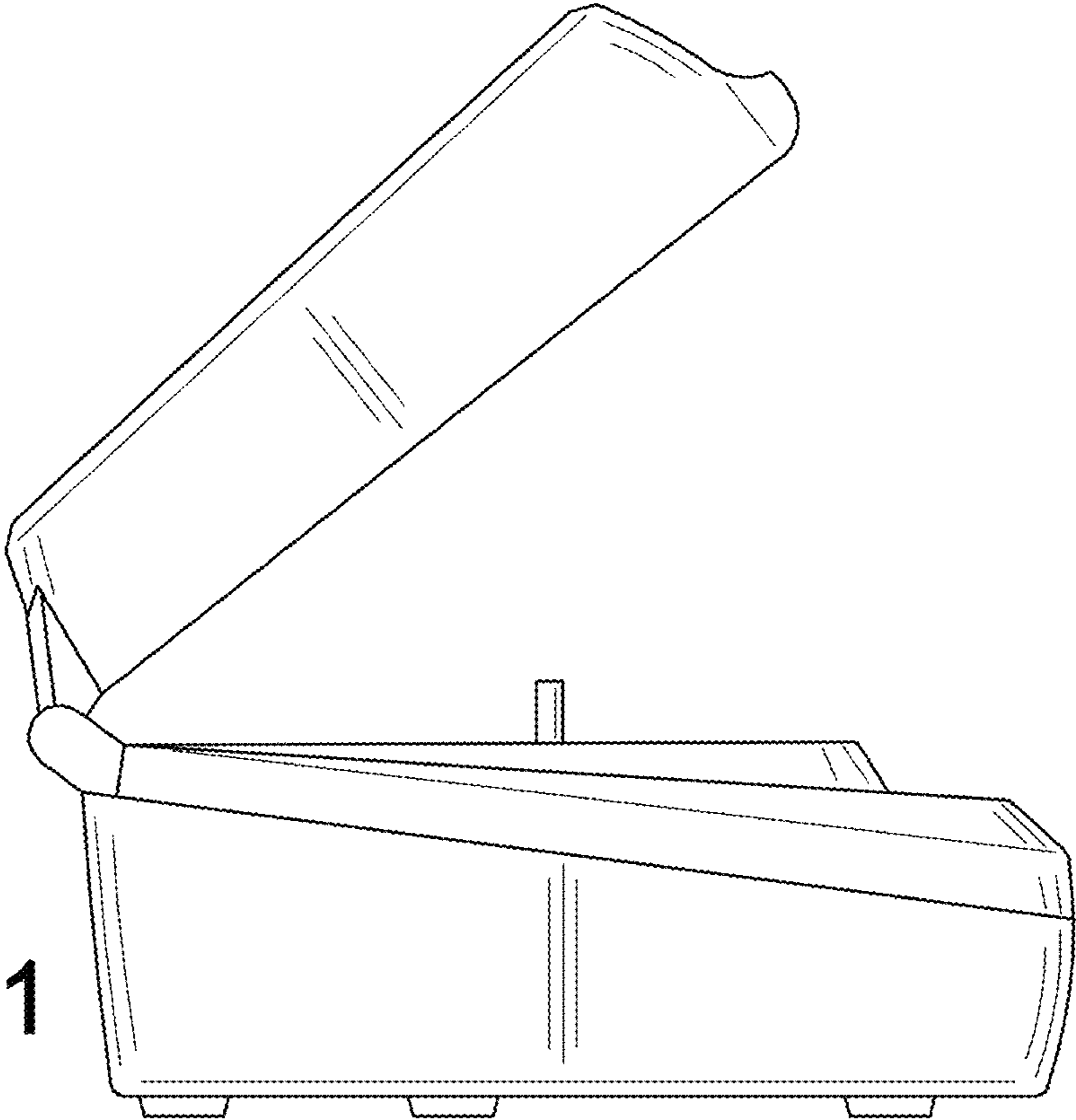


Fig. 1

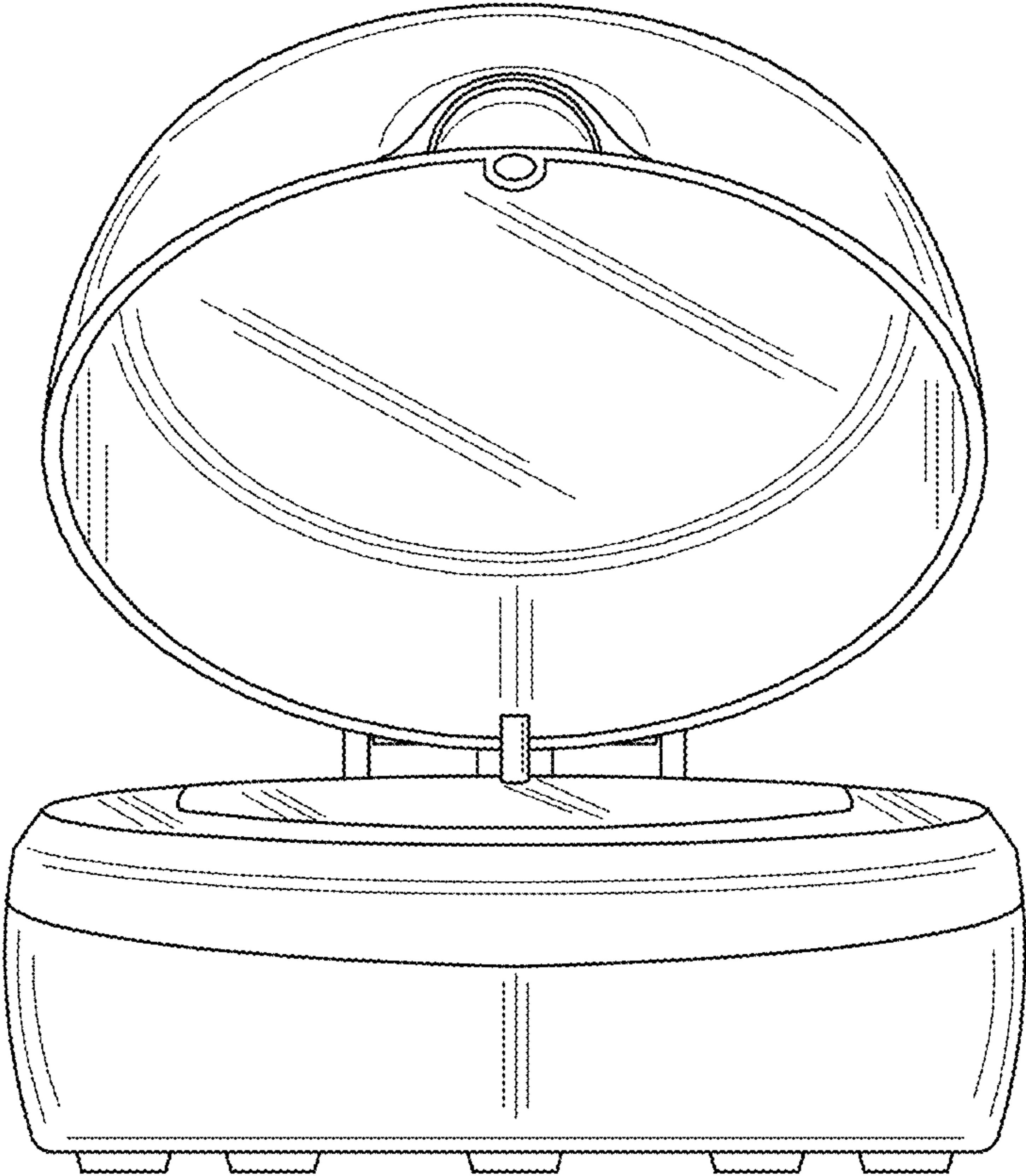


Fig. 2

Fig. 3

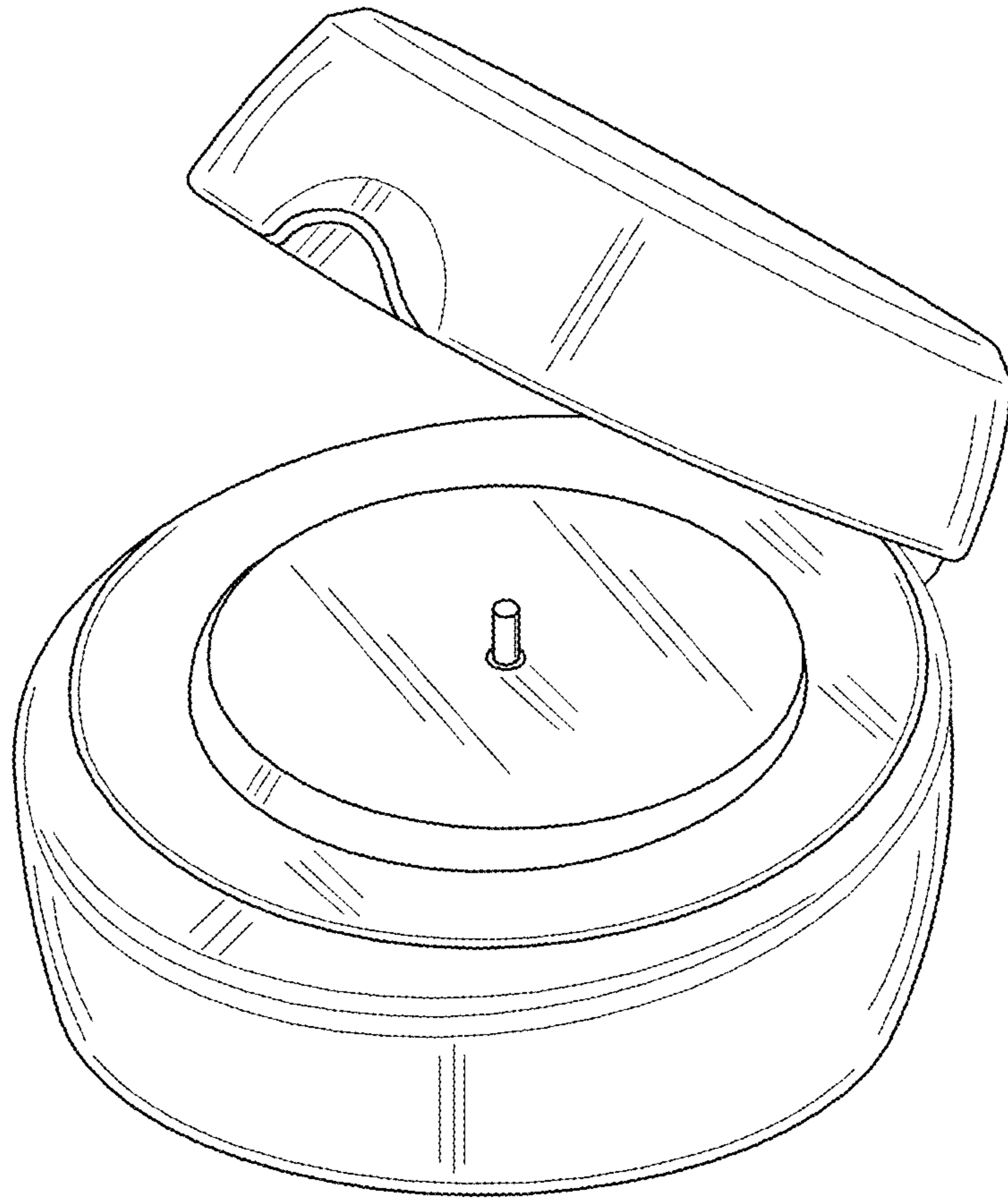
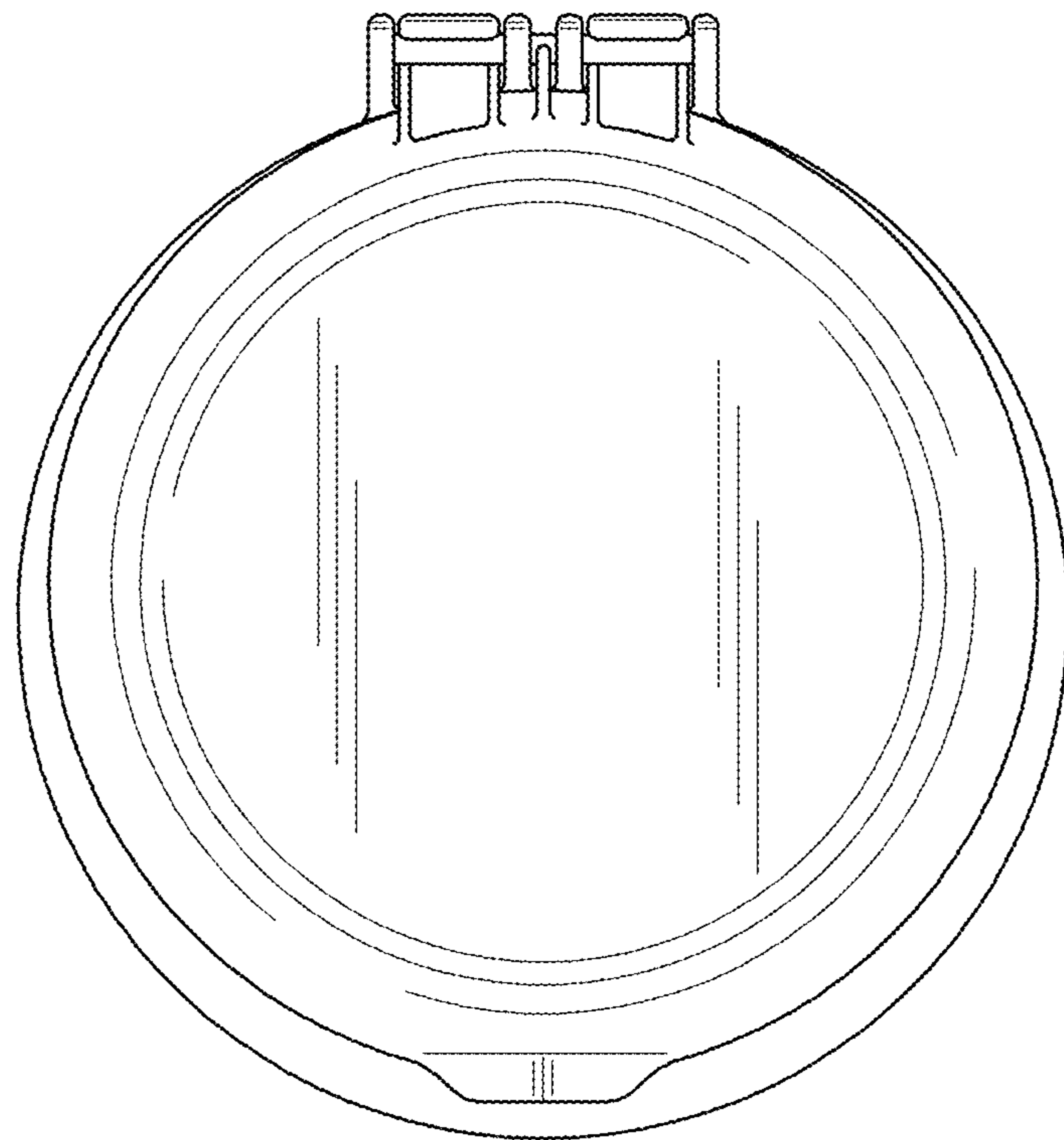


Fig. 4



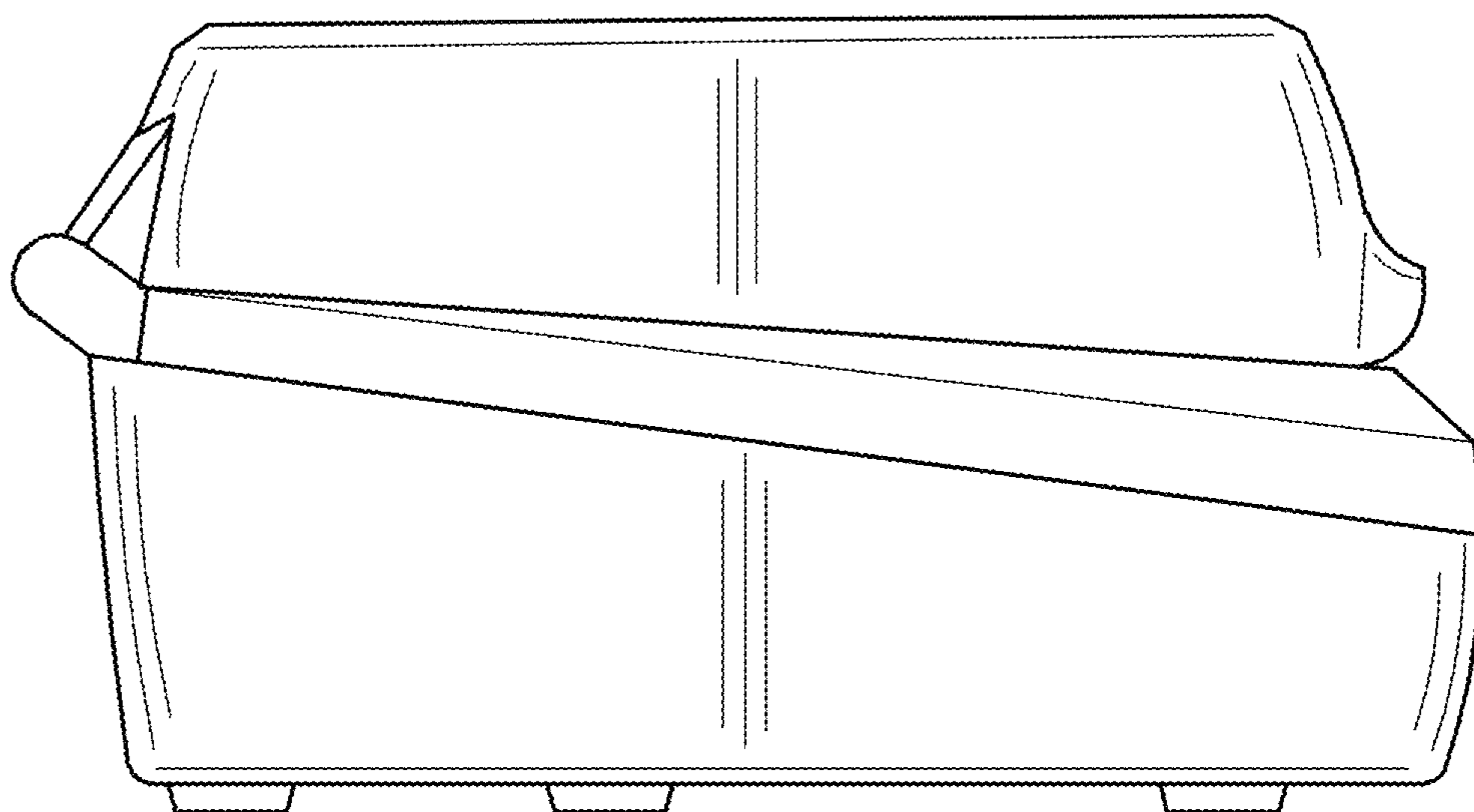


Fig. 5

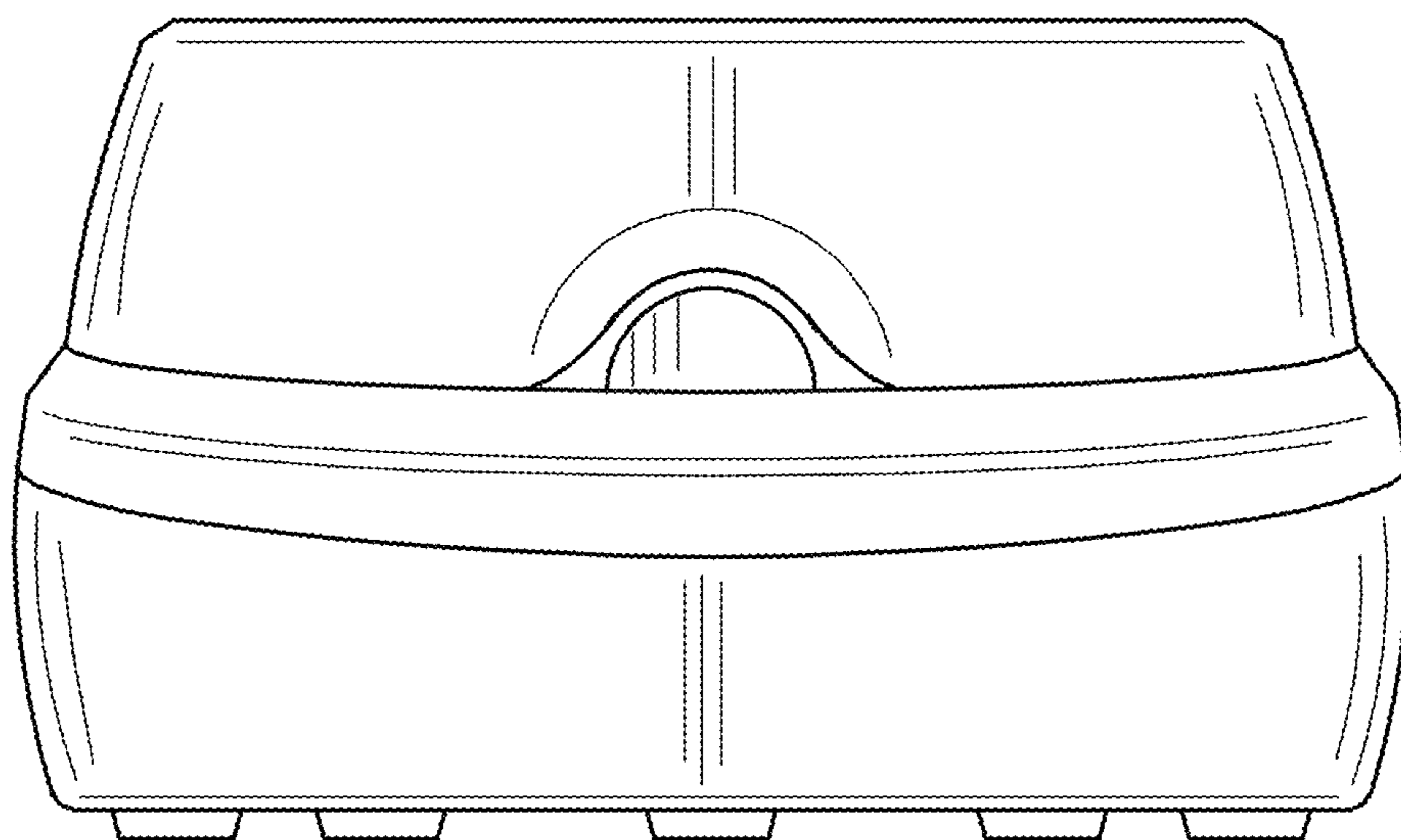


Fig. 6

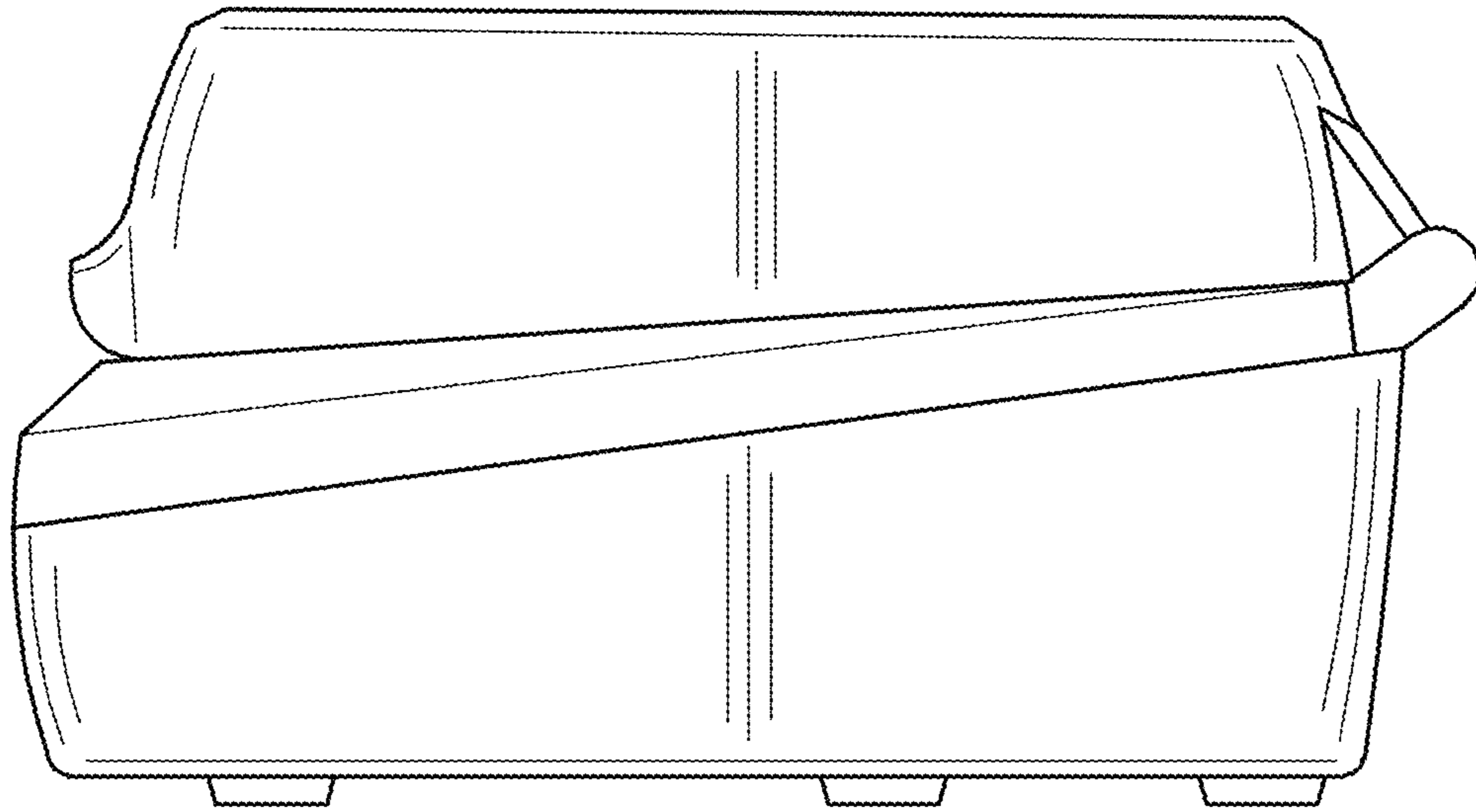


Fig. 7

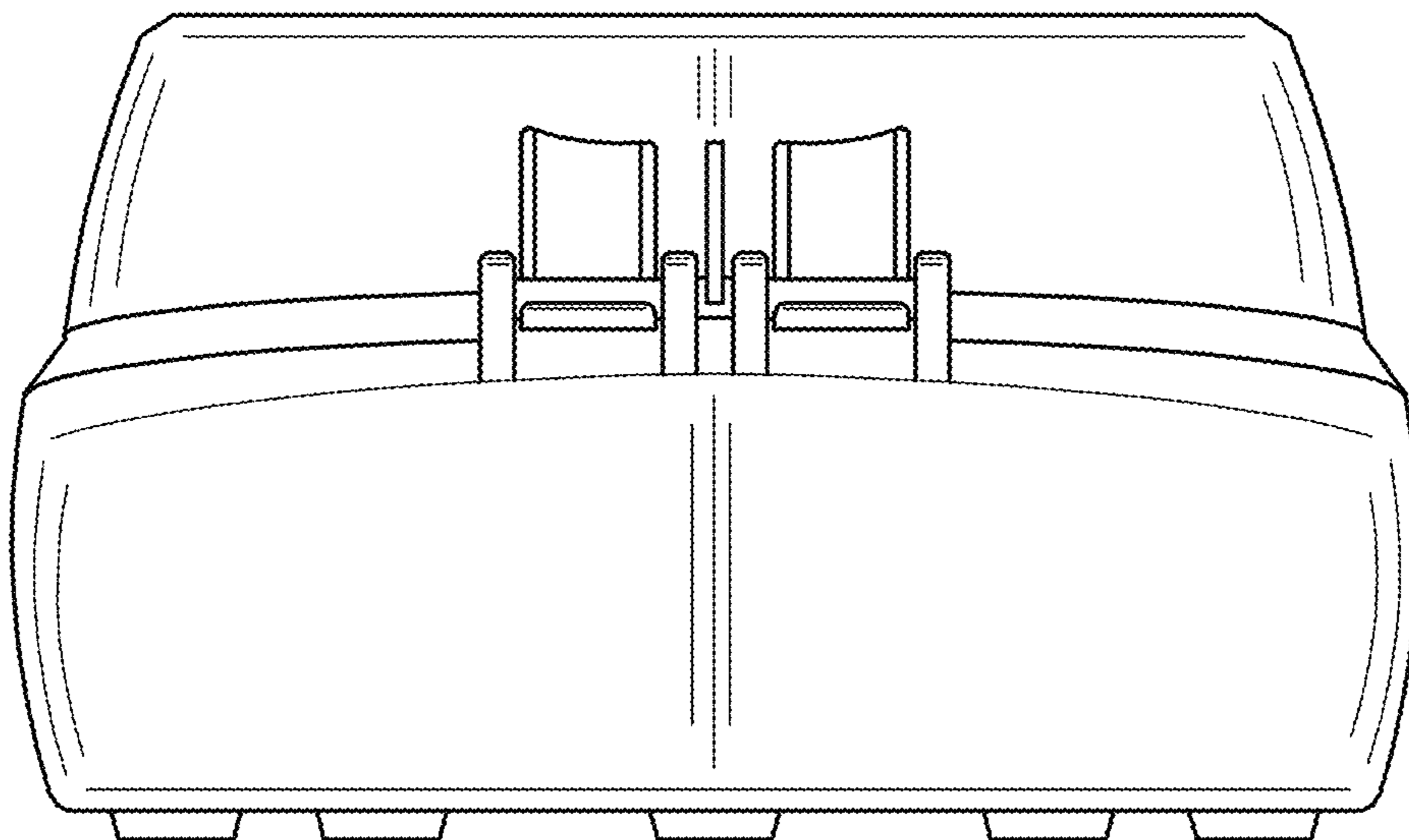


Fig. 8

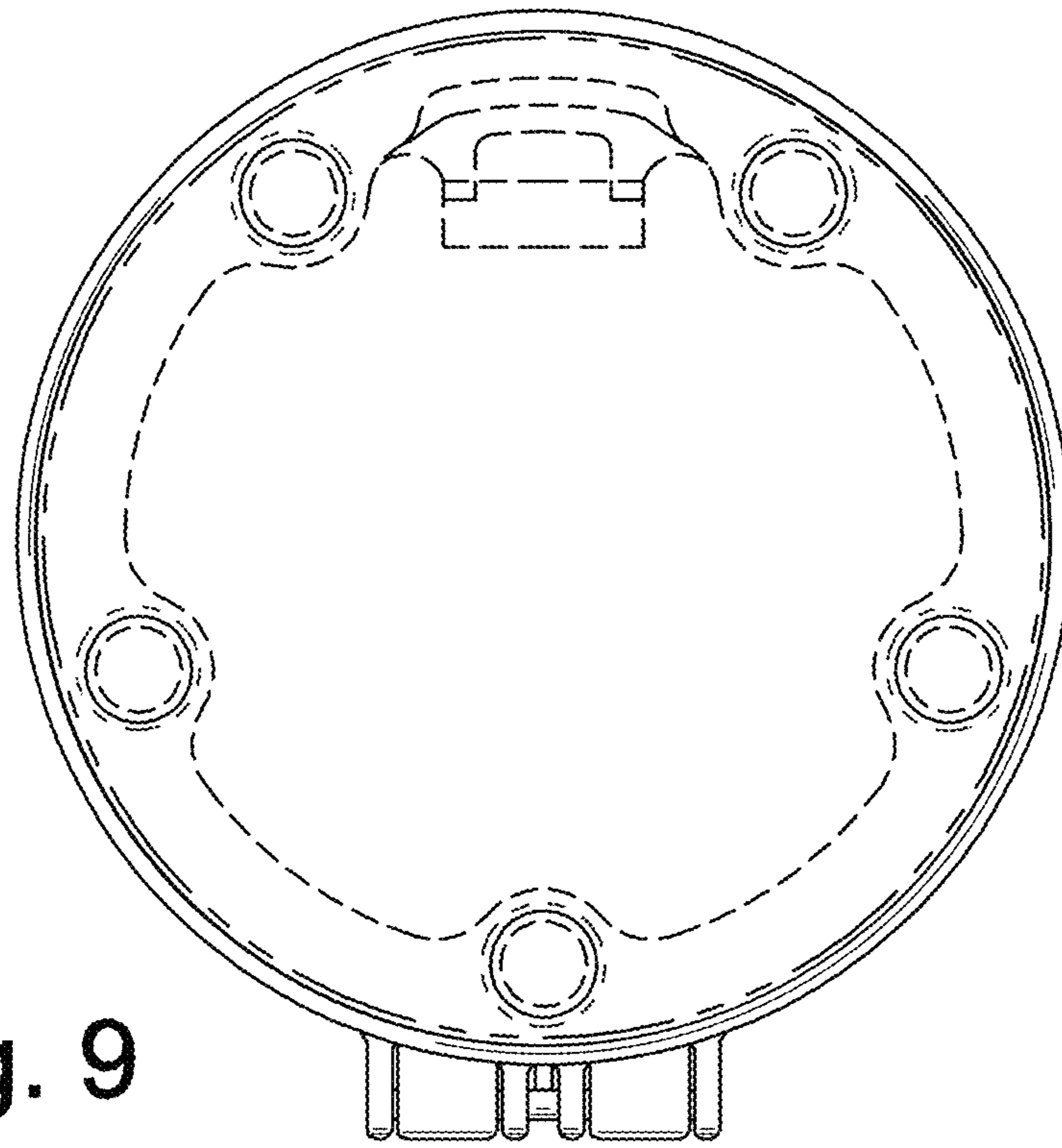


Fig. 9

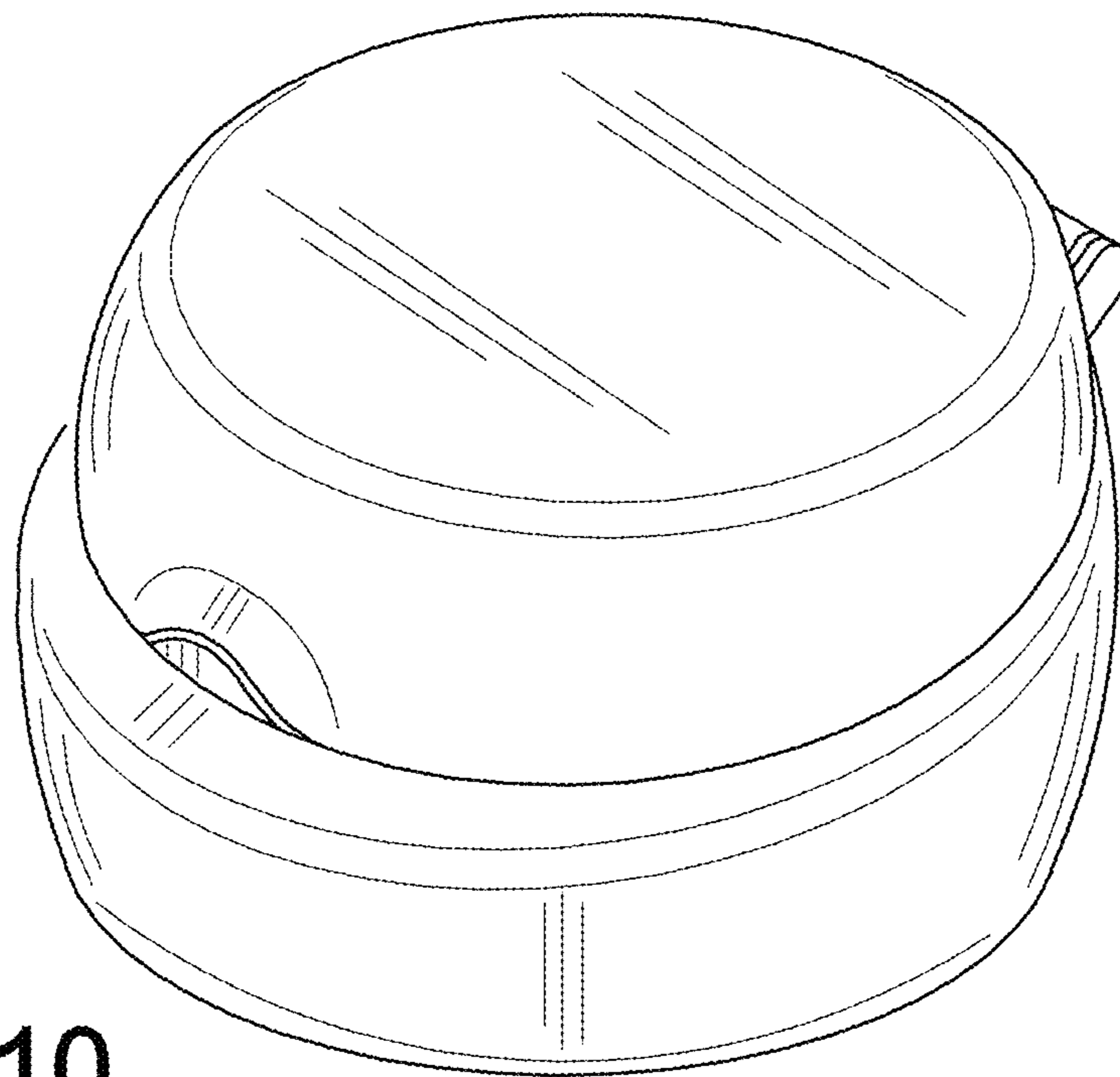


Fig. 10