



US00D877351S

(12) **United States Design Patent**  
**Wersland et al.**

(10) **Patent No.:** **US D877,351 S**  
(45) **Date of Patent:** **\*\* Mar. 3, 2020**

- (54) **THERAPEUTIC DEVICE**
- (71) Applicant: **TheraGun, LLC**, Beverly Hills, CA (US)
- (72) Inventors: **Jason Wersland**, Manhattan Beach, CA (US); **Michael Waldron**, Dunnington (GB); **Geert Ensing**, Shanghai (CN); **Benjamin Nazarian**, Los Angeles, CA (US)
- (73) Assignee: **THERAGUN, INC.**, Beverly Hills, CA (US)
- (\*\*) Term: **15 Years**
- (21) Appl. No.: **29/619,831**
- (22) Filed: **Oct. 2, 2017**
- (51) **LOC (12) Cl.** ..... **28-03**
- (52) **U.S. Cl.**  
USPC ..... **D24/215**
- (58) **Field of Classification Search**  
USPC ..... D24/200, 211, 212, 213, 214, 215, 188, D24/191; 601/19, 22, 40, 46, 52, 63, 99, 601/110-113, 118-120, 125, DIG. 12, 601/DIG. 14, DIG. 15, DIG. 16, DIG. 17  
CPC ..... A61H 1/00; A61H 2015/0007; A61H 2015/0014; A61H 2015/0042; A61H 15/00; A61H 11/00; A61H 21/00; A61H 37/00  
See application file for complete search history.

- D346,660 S \* 5/1994 Chiang ..... D24/215
- 5,311,860 A \* 5/1994 Doria ..... A61H 23/0254  
601/103
- D362,307 S \* 9/1995 Cirone ..... D24/211
- D367,712 S \* 3/1996 Young ..... D24/215
- D383,850 S \* 9/1997 Machuron ..... D24/215
- D387,174 S \* 12/1997 Gladieux, Jr. .... D24/211
- D415,838 S \* 10/1999 Noble ..... D24/214

(Continued)

**OTHER PUBLICATIONS**

<https://massageguns.com/products/massage-gun>. Massage Gun V1, earliest date on site Feb. 2, 2019, downloaded Dec. 31, 2019.\*

(Continued)

*Primary Examiner* — Sandra S Snapp  
(74) *Attorney, Agent, or Firm* — Jeffer Mangels Butler & Mitchell LLP; Brennan C. Swain, Esq.

(57) **CLAIM**

The ornamental design for a therapeutic device, as shown and described.

**DESCRIPTION**

FIG. 1 is a perspective view of the present invention; FIG. 2 is a right side elevational view of the present invention shown in FIG. 1; FIG. 3 is a left side elevational view of the present invention shown in FIG. 1; FIG. 4 is a front elevational view of the present invention shown in FIG. 1; FIG. 5 is a rear elevational view of the present invention shown in FIG. 1; FIG. 6 is a top plan view of the present invention shown in FIG. 1; and, FIG. 7 is a bottom plan view of the present invention shown in FIG. 1.

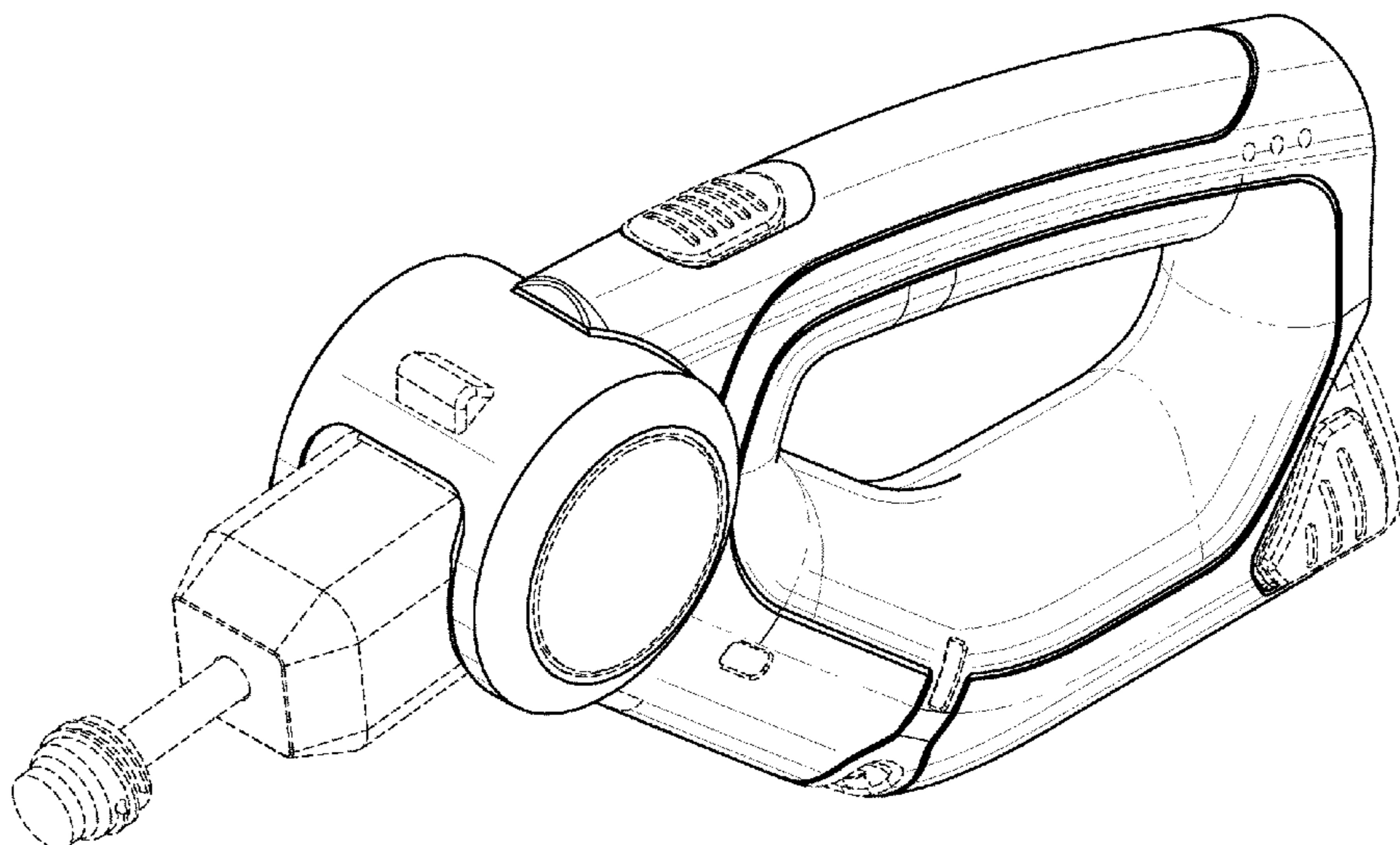
The broken lines shown in the drawings depict portions of the therapeutic device and form no part of the claimed design.

**1 Claim, 6 Drawing Sheets**

(56) **References Cited**

**U.S. PATENT DOCUMENTS**

- 1,657,765 A \* 1/1928 Pasque ..... A61H 23/0254  
601/108
- D245,864 S \* 9/1977 Gelbart ..... D24/211
- D315,408 S \* 3/1991 Duk ..... D24/211
- D323,034 S \* 1/1992 Reinstein ..... D24/200
- 5,088,474 A \* 2/1992 Mabuchi ..... A61H 7/001  
601/110



(56)

**References Cited**

## U.S. PATENT DOCUMENTS

D432,913 S \* 10/2000 Hurwic ..... D9/430  
6,228,042 B1 \* 5/2001 Dungan ..... A61H 1/008  
601/101  
D450,853 S \* 11/2001 Spalding ..... D24/214  
D476,746 S \* 7/2003 Harris ..... D24/214  
6,730,050 B2 \* 5/2004 Huang ..... A61H 23/0254  
601/103  
6,786,878 B2 \* 9/2004 Dehli ..... A61F 7/00  
601/16  
D531,733 S \* 11/2006 Burout, III ..... D24/215  
7,211,057 B2 \* 5/2007 Gleason ..... A61H 23/0263  
601/150  
D583,064 S \* 12/2008 Ferber ..... D24/214  
D599,029 S \* 8/2009 Ferber ..... D24/214  
D628,304 S \* 11/2010 Aulwes ..... D24/214  
D649,657 S \* 11/2011 Petersen ..... D24/215  
D666,303 S \* 8/2012 Ding ..... D24/215  
9,889,066 B2 \* 2/2018 Danby ..... A61H 23/0254  
D823,478 S \* 7/2018 Park ..... D24/215  
D837,395 S \* 1/2019 Gan ..... D24/214  
D842,489 S \* 3/2019 Spewock ..... D24/215  
2009/0069728 A1 \* 3/2009 Hoffmann ..... A61B 8/08  
601/46  
2017/0340510 A1 \* 11/2017 Spewock ..... A61H 7/007

## OTHER PUBLICATIONS

<https://www.theragun.com/>. ThereaGun massager. No date found on site, downloaded Dec. 31, 2019.\*

\* cited by examiner

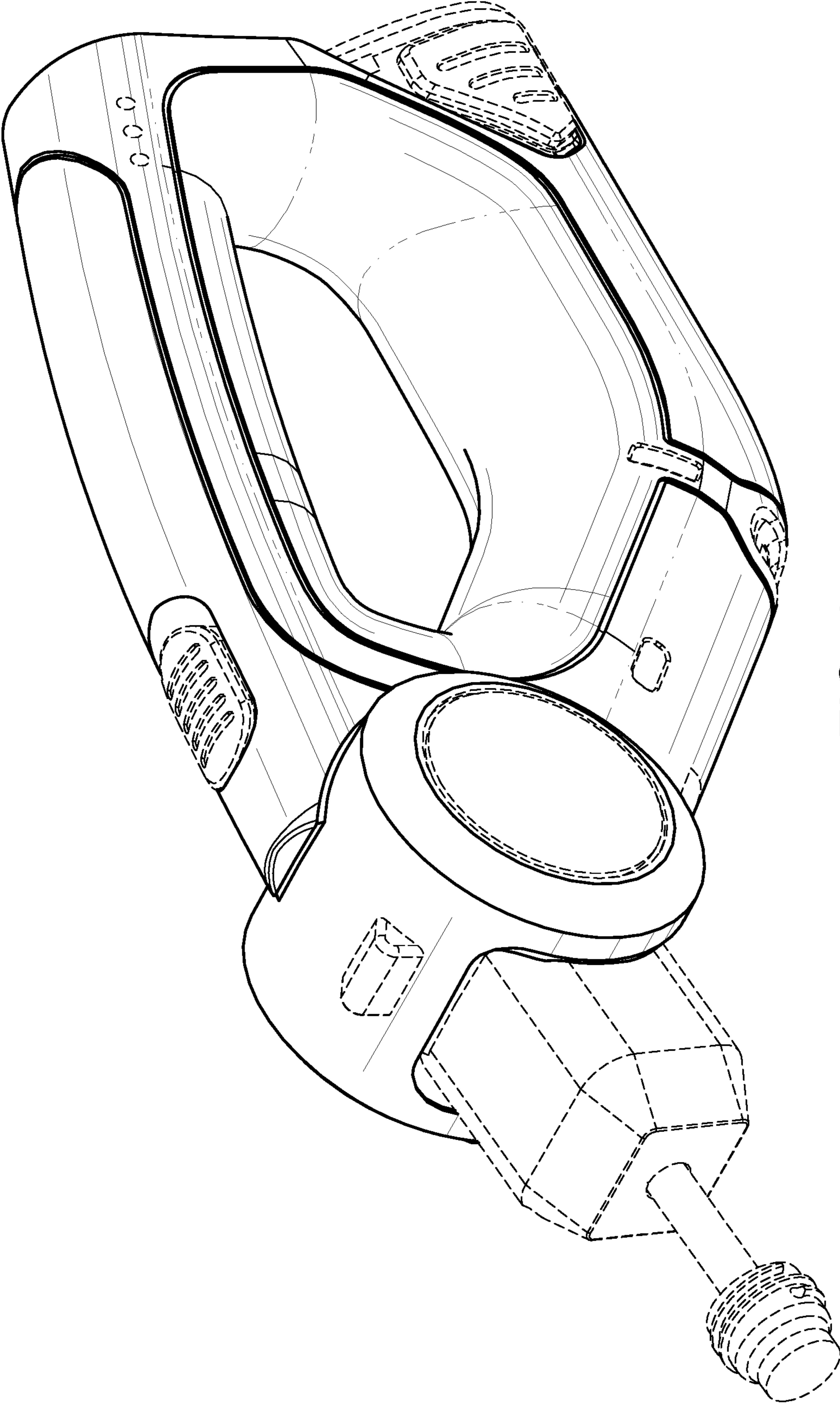


FIG. 1

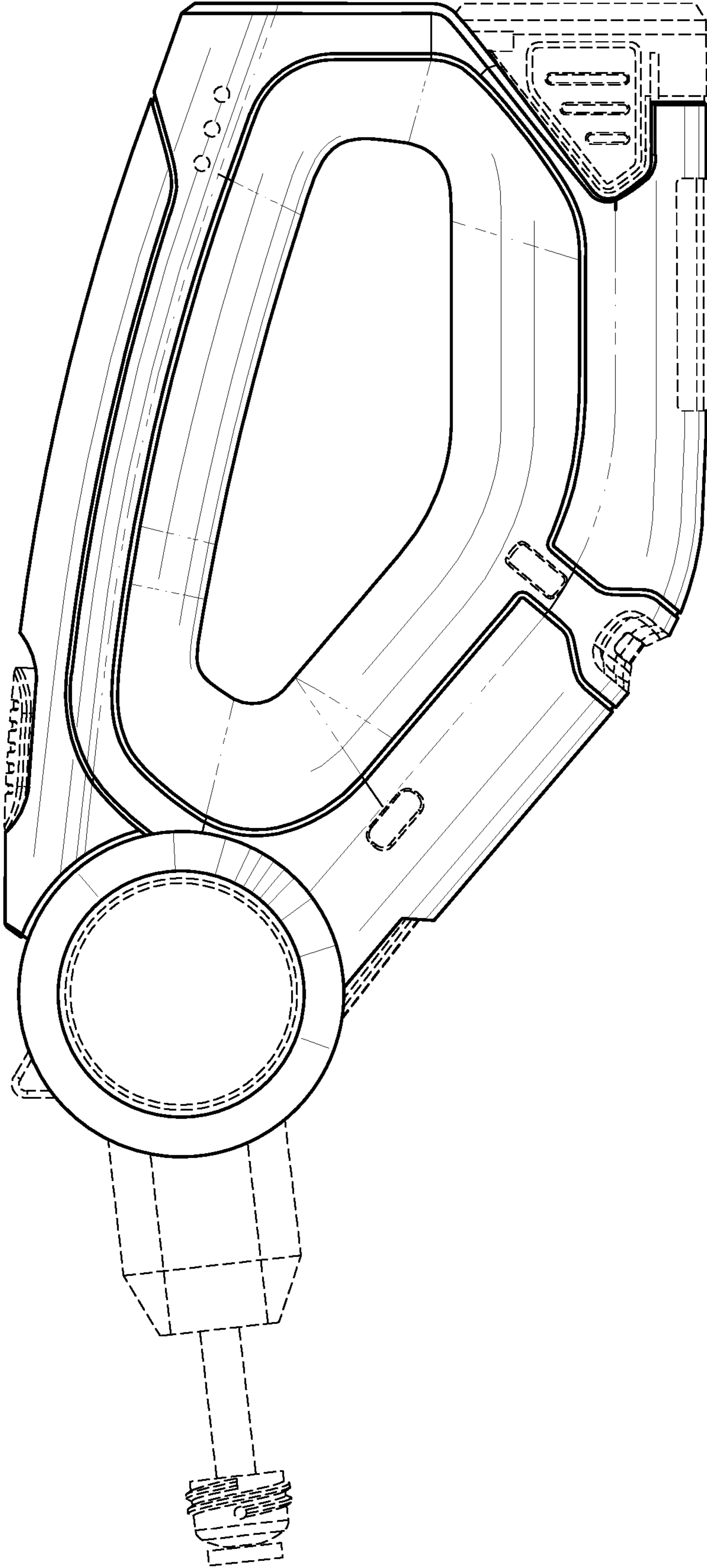


FIG. 2

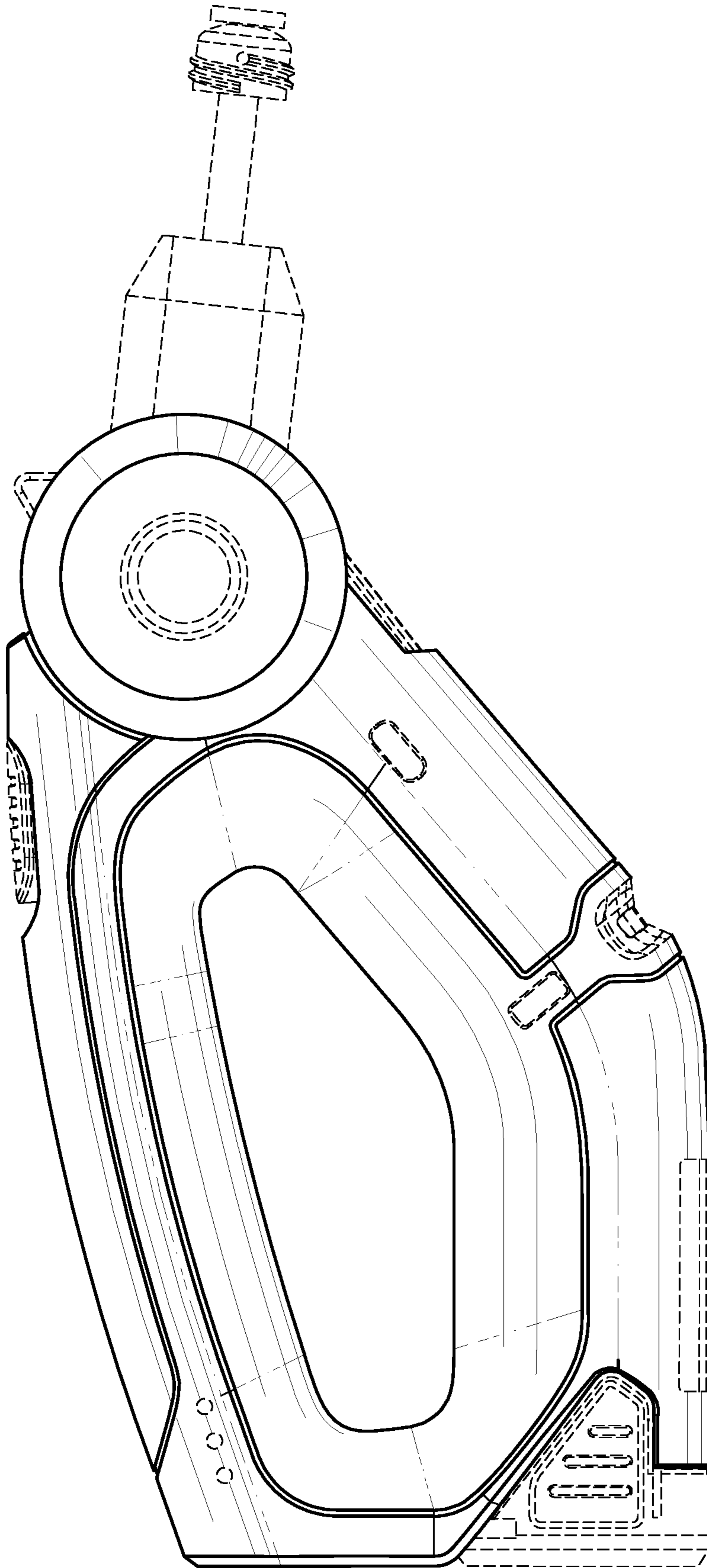


FIG. 3

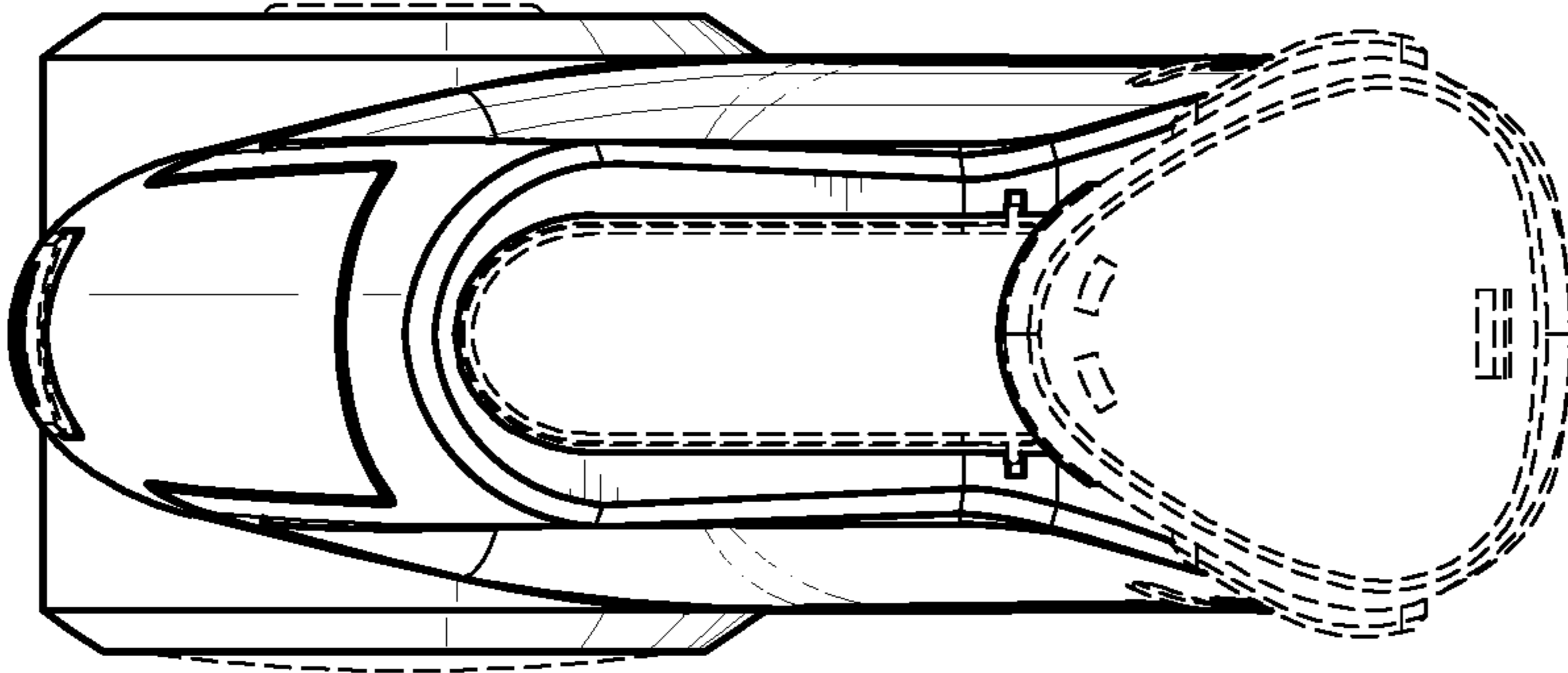


FIG. 4

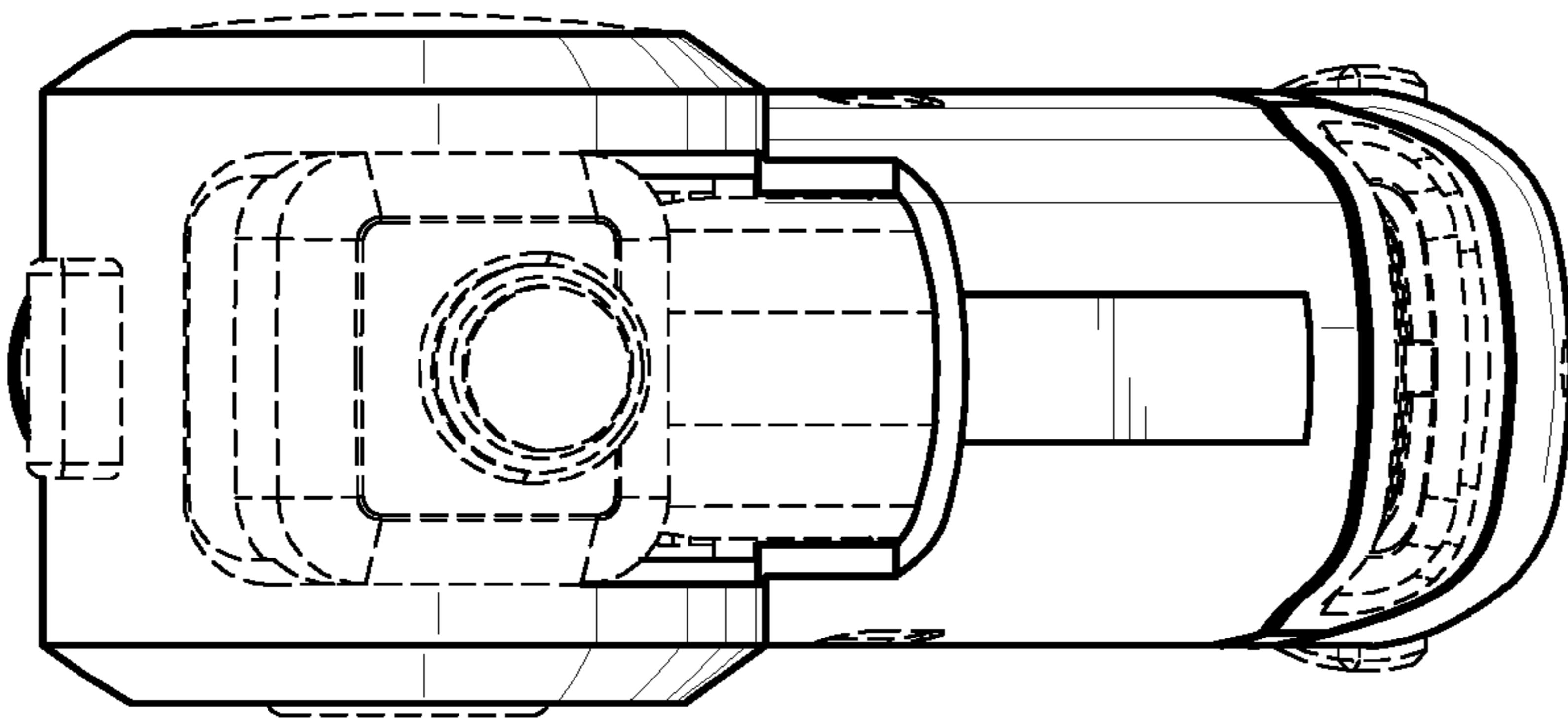


FIG. 5

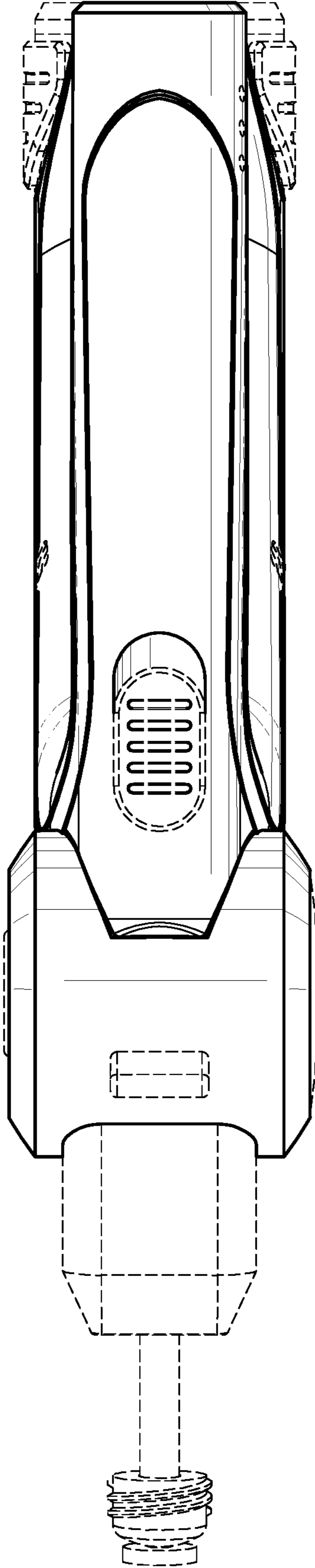


FIG. 6

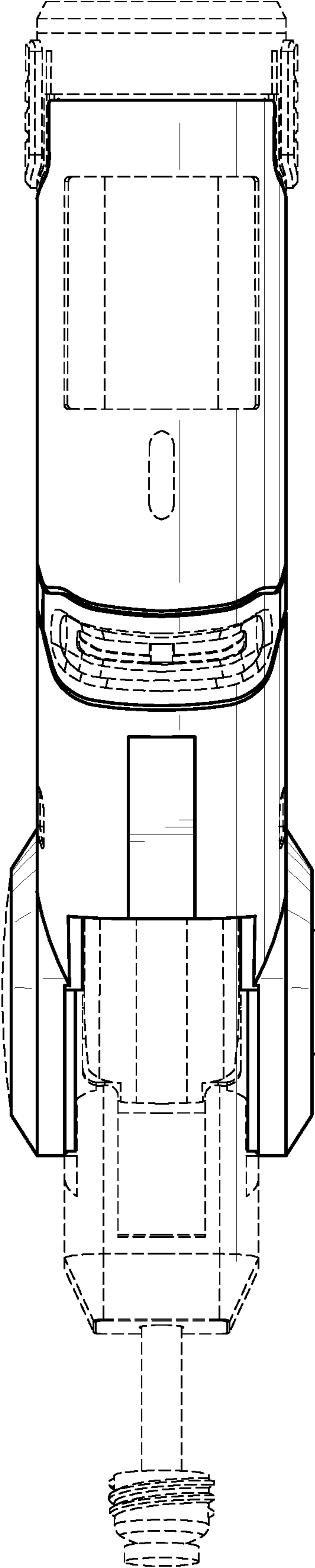


FIG. 7