



US00D877349S

(12) **United States Design Patent**
Jeon et al.

(10) **Patent No.:** **US D877,349 S**
(45) **Date of Patent:** **** Mar. 3, 2020**

(54) **MIDDLE FREQUENCY OPERATING DEVICE**

(71) Applicant: **ATTIBE Beauty Co., Ltd.**, Seoul (KR)

(72) Inventors: **Seung Gyu Jeon**, Yongin-si (KR); **Jin Woo Lee**, Yongin-si (KR); **Woo Jae Lee**, Suwon-si (KR)

(73) Assignee: **Attibe Beauty Co., Ltd.** (KR)

(**) Term: **15 Years**

(21) Appl. No.: **29/650,889**

(22) Filed: **Jun. 11, 2018**

(30) **Foreign Application Priority Data**

Feb. 5, 2018 (KR) 30-2018-0006267

(51) **LOC (12) Cl.** **28-03**

(52) **U.S. Cl.**
USPC **D24/200**

(58) **Field of Classification Search**
USPC D24/200, 211-212, 214-215; 601/19, 63, 601/68, 90, 125-126, 130-131, 134-137
CPC A61H 7/00; A61H 7/002; A61H 7/003; A61H 7/004; A61H 7/005; A61H 7/007; A61H 2007/009; A61H 15/0078; A61H 15/0085; A61H 15/0092; A61H 2201/0153; A61H 2201/0157

See application file for complete search history.

(56) **References Cited**

U.S. PATENT DOCUMENTS

D337,642 S * 7/1993 Yamasaki D24/200
D342,319 S * 12/1993 Cheng D24/200
D403,428 S * 12/1998 Russo D24/200

D438,977 S * 3/2001 Khalaj D24/200
D607,116 S * 12/2009 Morganstern D24/211
D707,835 S * 6/2014 Domoto D24/200
D864,408 S * 10/2019 Xue D24/215

FOREIGN PATENT DOCUMENTS

CN 305383295 * 4/2019

OTHER PUBLICATIONS

Thinbe-Control Massage Device. Retrieved on Oct. 23, 2019. Retrieved from the Internet: https://attibe.gobizkorea.com/user/goods/frontGoodsDetail.do?goods_no=GS20180317197844.
Rechargeable Vacuum Body Massage Machine Lymphatic Drainage Back Arm Leg Neck Massager Cuppling Therapy Health Care Heat Device. Reviewed date Jun. 28, 2019. Retrieved on Oct. 23, 2019. Retrieved from the Internet: <https://www.dhgate.com/product/rechargeable-vacuum-body-massage-machine/428318035.html>.

* cited by examiner

Primary Examiner — Wan Laymon
(74) *Attorney, Agent, or Firm* — Brinks Gilson & Lione

(57) **CLAIM**

We claim the ornamental design for a middle frequency operating device, as shown and described.

DESCRIPTION

FIG. 1 is a perspective view illustrating a middle frequency operating device;
FIG. 2 is a front view thereof;
FIG. 3 is a rear view thereof;
FIG. 4 is a left side view thereof;
FIG. 5 is a right side view thereof;
FIG. 6 is a top view thereof; and,
FIG. 7 a bottom view thereof.

1 Claim, 7 Drawing Sheets

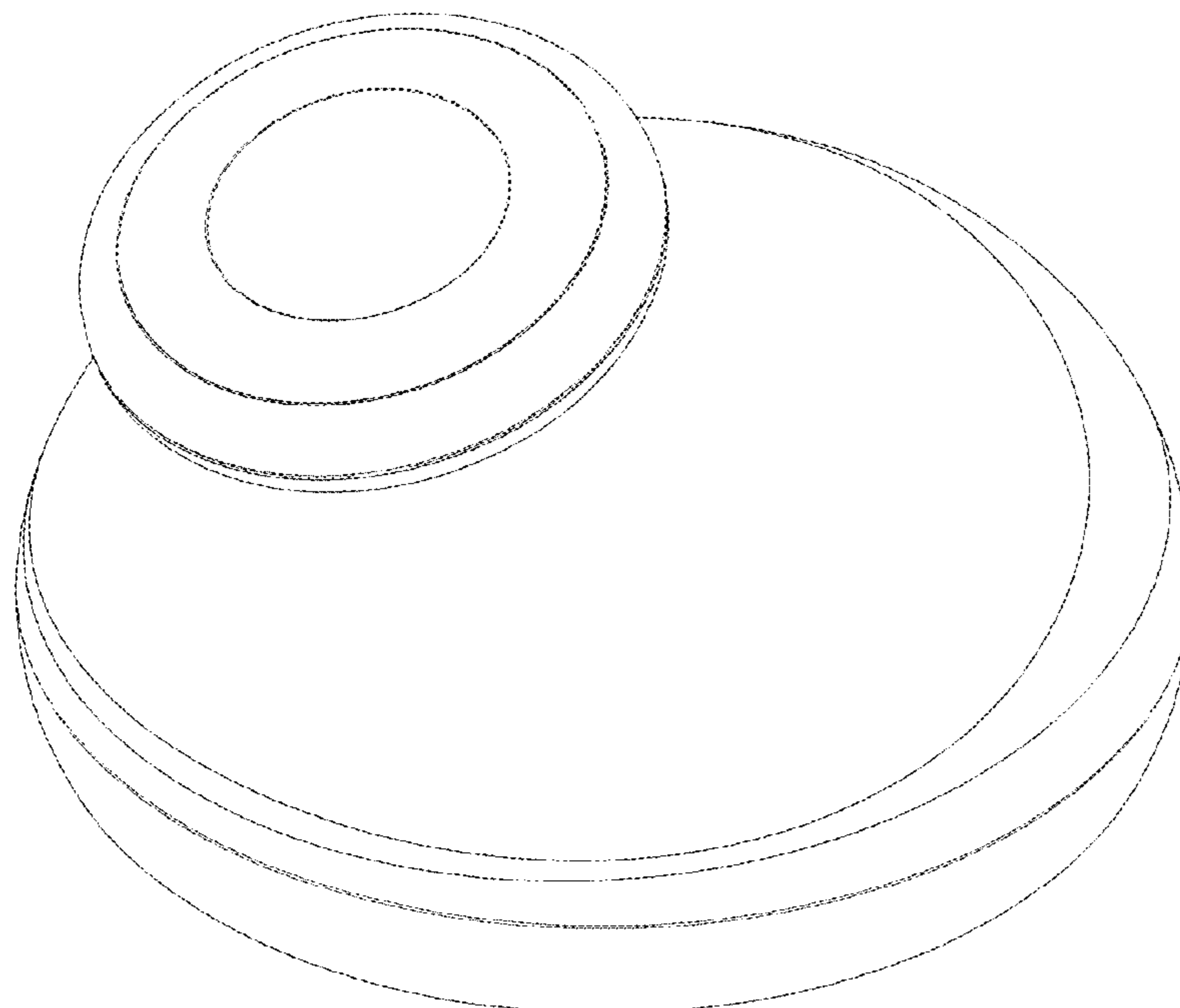


FIG. 1

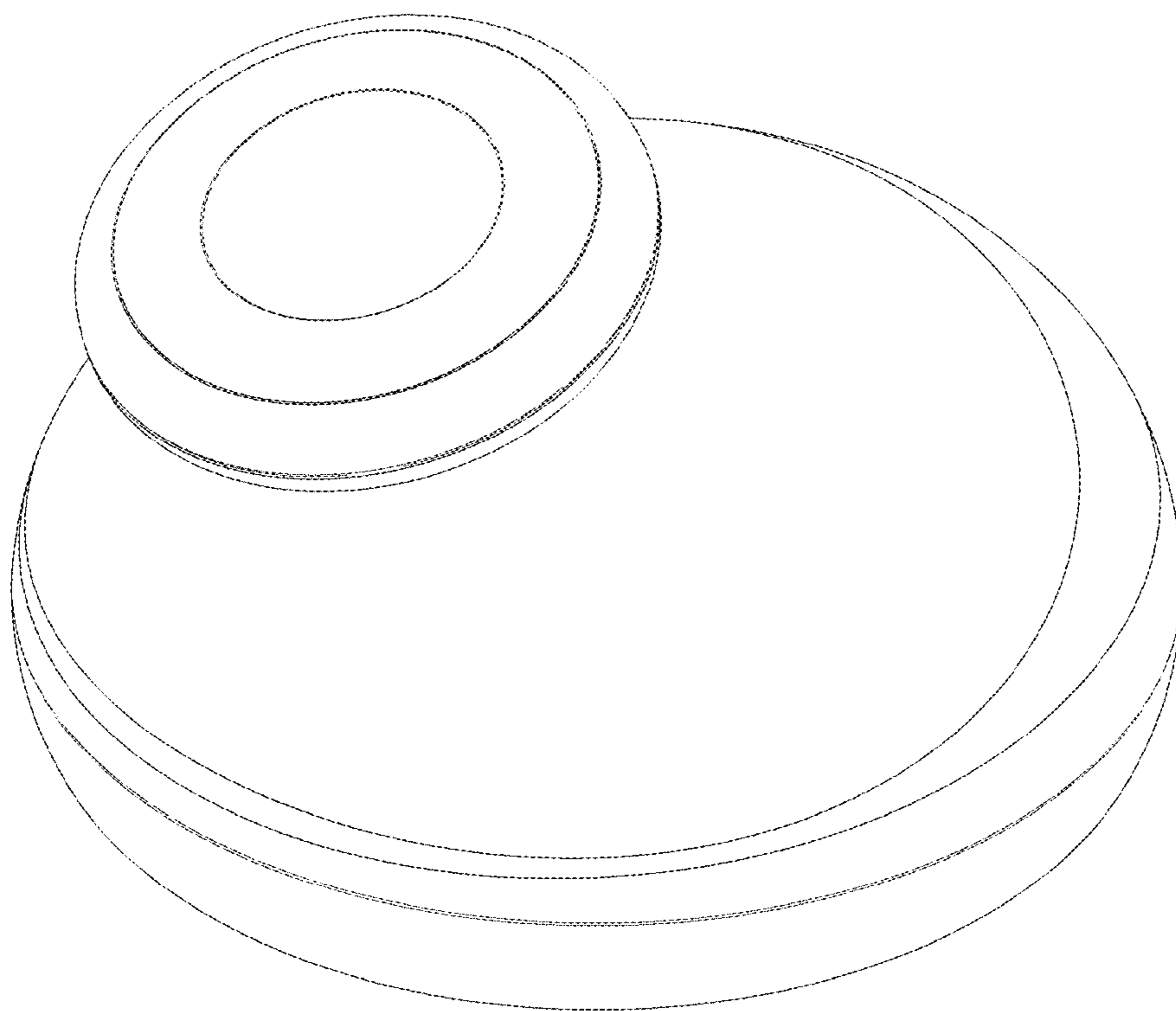


FIG. 2

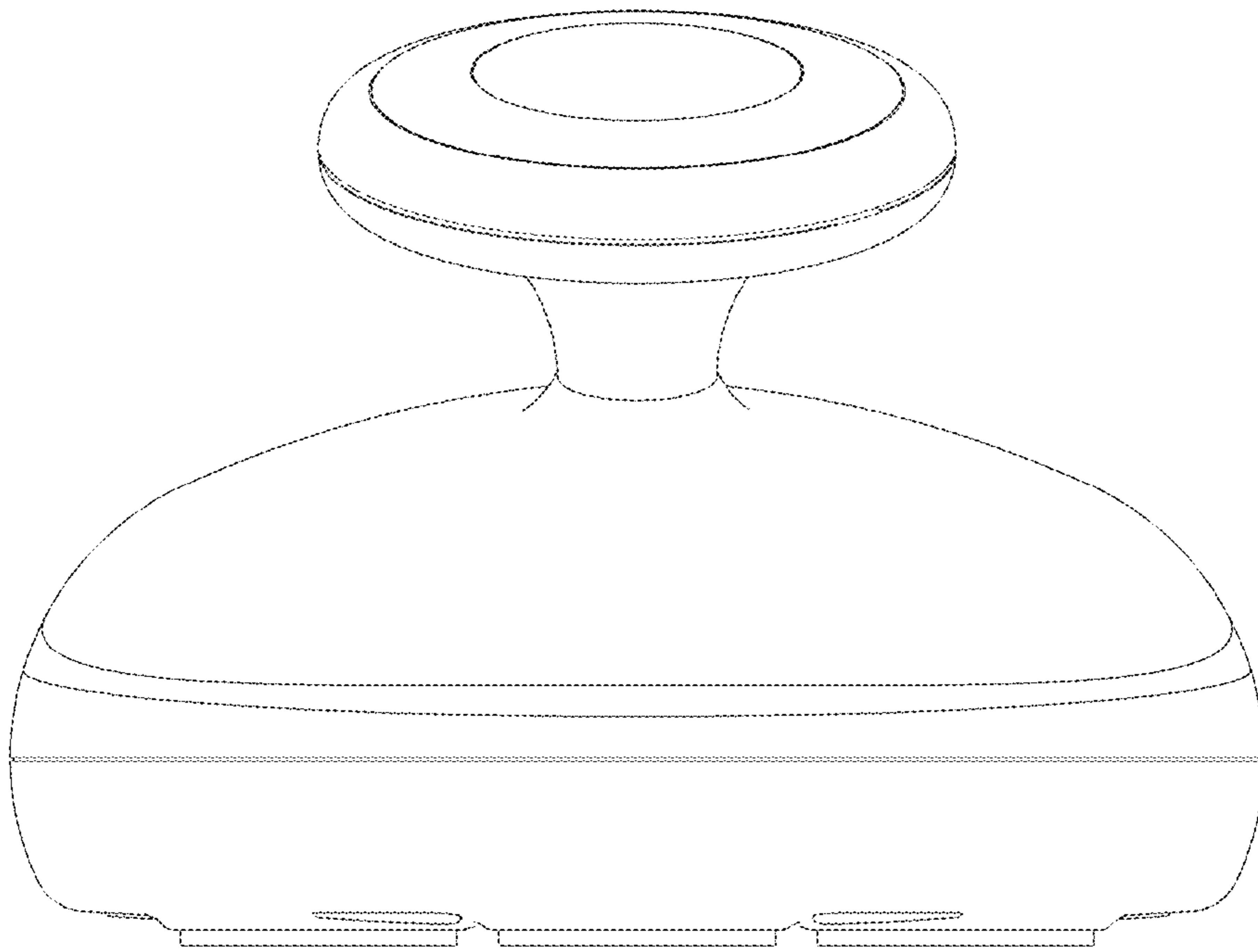


FIG. 3

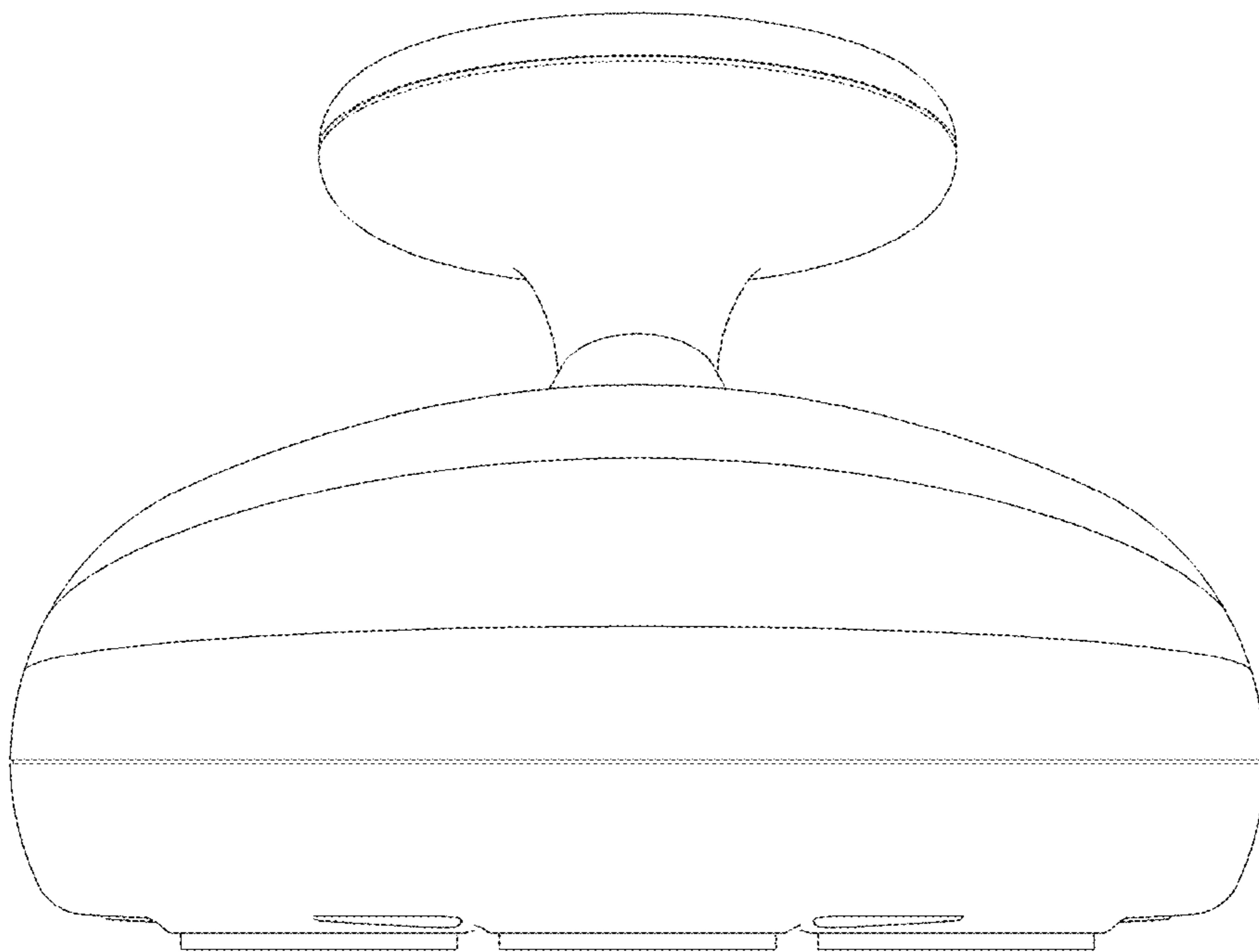


FIG. 4

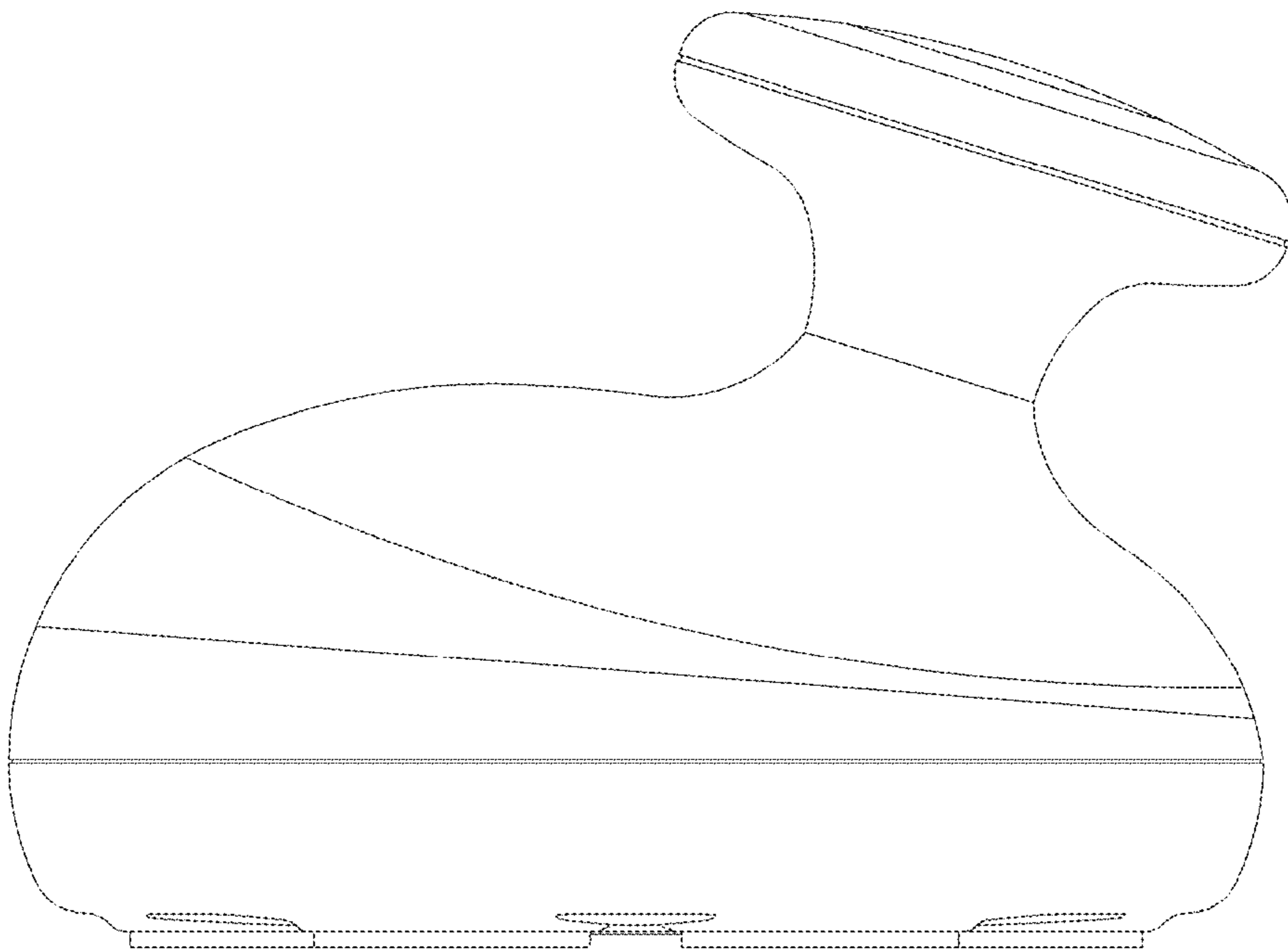


FIG. 5

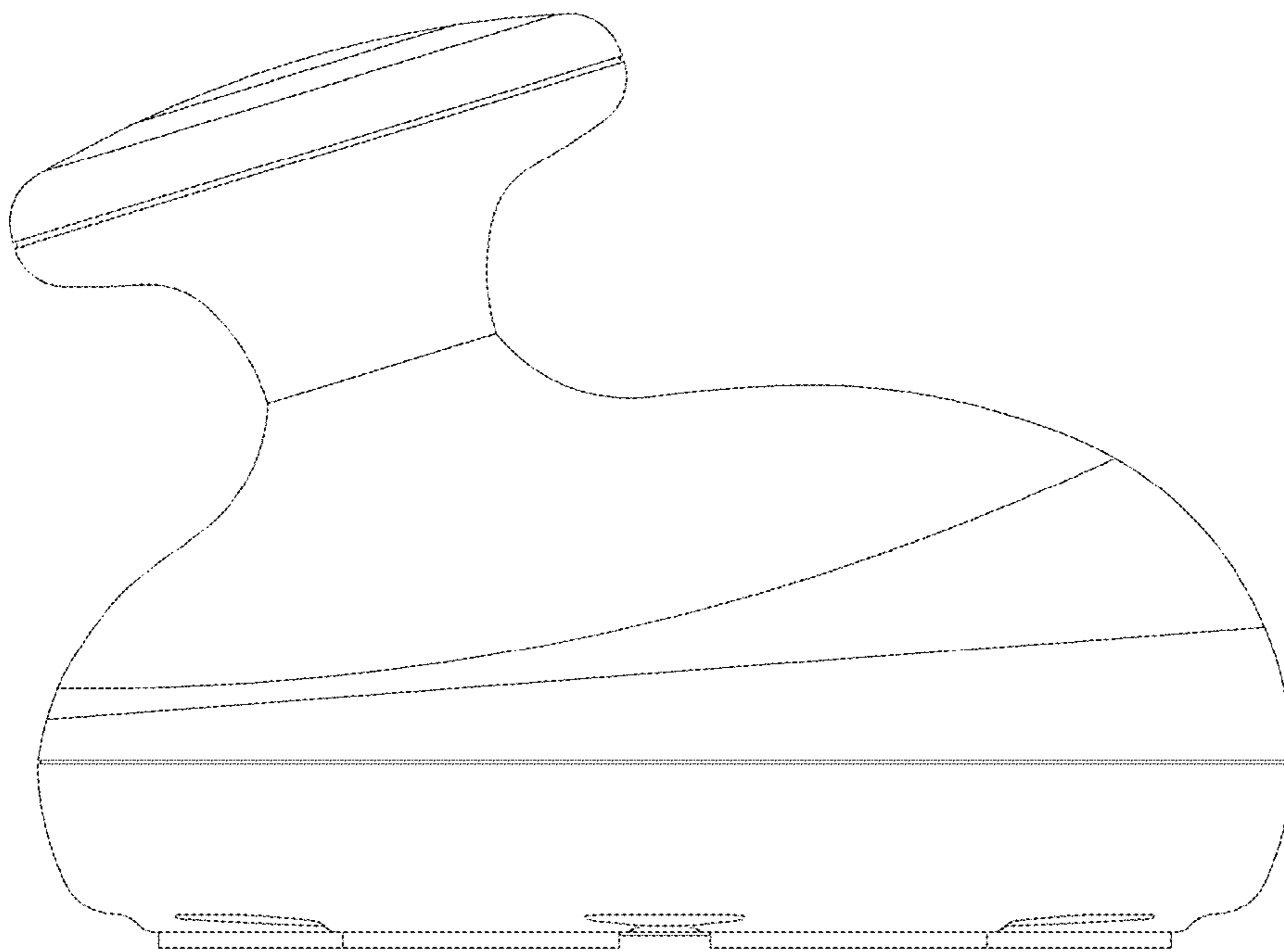


FIG. 6

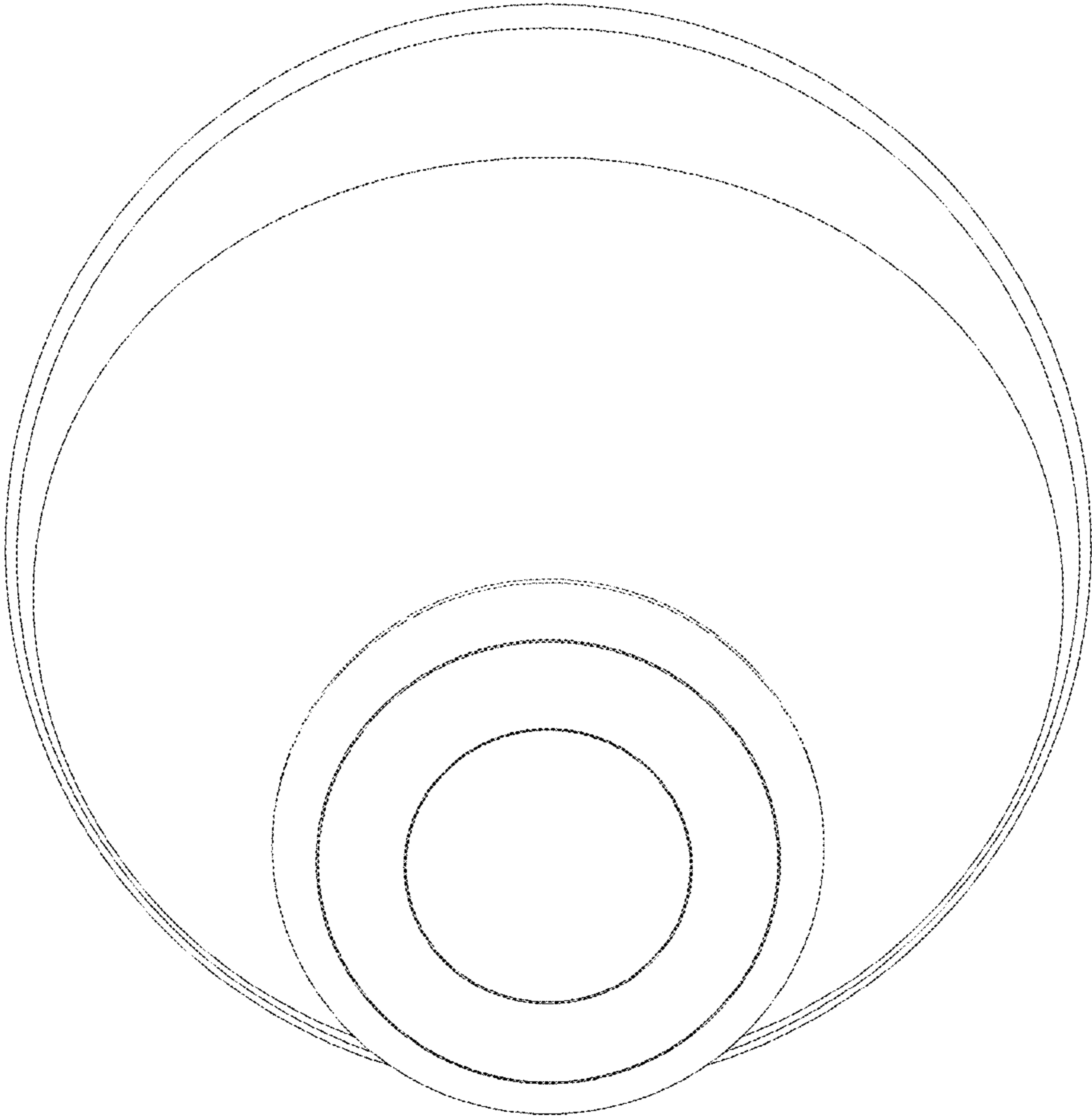


FIG. 7

