



US00D877344S

(12) **United States Design Patent**
Munger

(10) **Patent No.:** **US D877,344 S**
(45) **Date of Patent:** **** Mar. 3, 2020**

(54) **MATERNAL BAND PROCESSING UNIT**
(71) Applicant: **OWLET BABY CARE, INC.**, Lehi,
UT (US)
(72) Inventor: **Seth Ter Munger**, Springville, UT (US)
(73) Assignee: **Owlet Baby Care, Inc.**, Lehi, UT (US)
(**) Term: **15 Years**

9,579,055 B1 2/2017 Rood et al.
9,585,614 B2 3/2017 Dugan
D796,355 S * 9/2017 Cho D10/70
9,763,583 B2 9/2017 Oz et al.
9,763,616 B2 9/2017 Dugan
D806,254 S * 12/2017 Im D24/186
D824,034 S * 7/2018 Pushpala D24/186
D830,555 S * 10/2018 Lin D24/167
D830,856 S * 10/2018 Golnik D10/30
D842,854 S * 3/2019 Lee D14/344

(Continued)

(21) Appl. No.: **29/644,523**
(22) Filed: **Apr. 18, 2018**
(51) **LOC (12) Cl.** **24-01**
(52) **U.S. Cl.**
USPC **D24/186**
(58) **Field of Classification Search**
USPC D24/107, 167, 186, 187; D10/30, 31, 32,
D10/38, 70, 75, 98, 97; D14/344
CPC A61B 5/6801; A61B 5/681; A61B 5/6819;
A61B 5/6823; A61B 5/6824; A61B
5/02405; A61B 5/02427; A61B 5/02438;
A61B 2560/0412; A61B 2560/0418;
A61B 2562/162; A61B 2562/164; A61B
2562/0295; A61B 2562/18; A61B 5/0402;
A61B 5/0404; A61B 5/0011; A61B
5/02411; A61B 5/0444; A61B 5/4362;
A61B 2560/0462
See application file for complete search history.

FOREIGN PATENT DOCUMENTS

CN 103260528 8/2013
CN 104382585 3/2015

(Continued)

Primary Examiner — Anhdao Doan

(74) *Attorney, Agent, or Firm* — Workman Nydegger

(57) **CLAIM**

The ornamental design for a maternal band processing unit,
as shown and described.

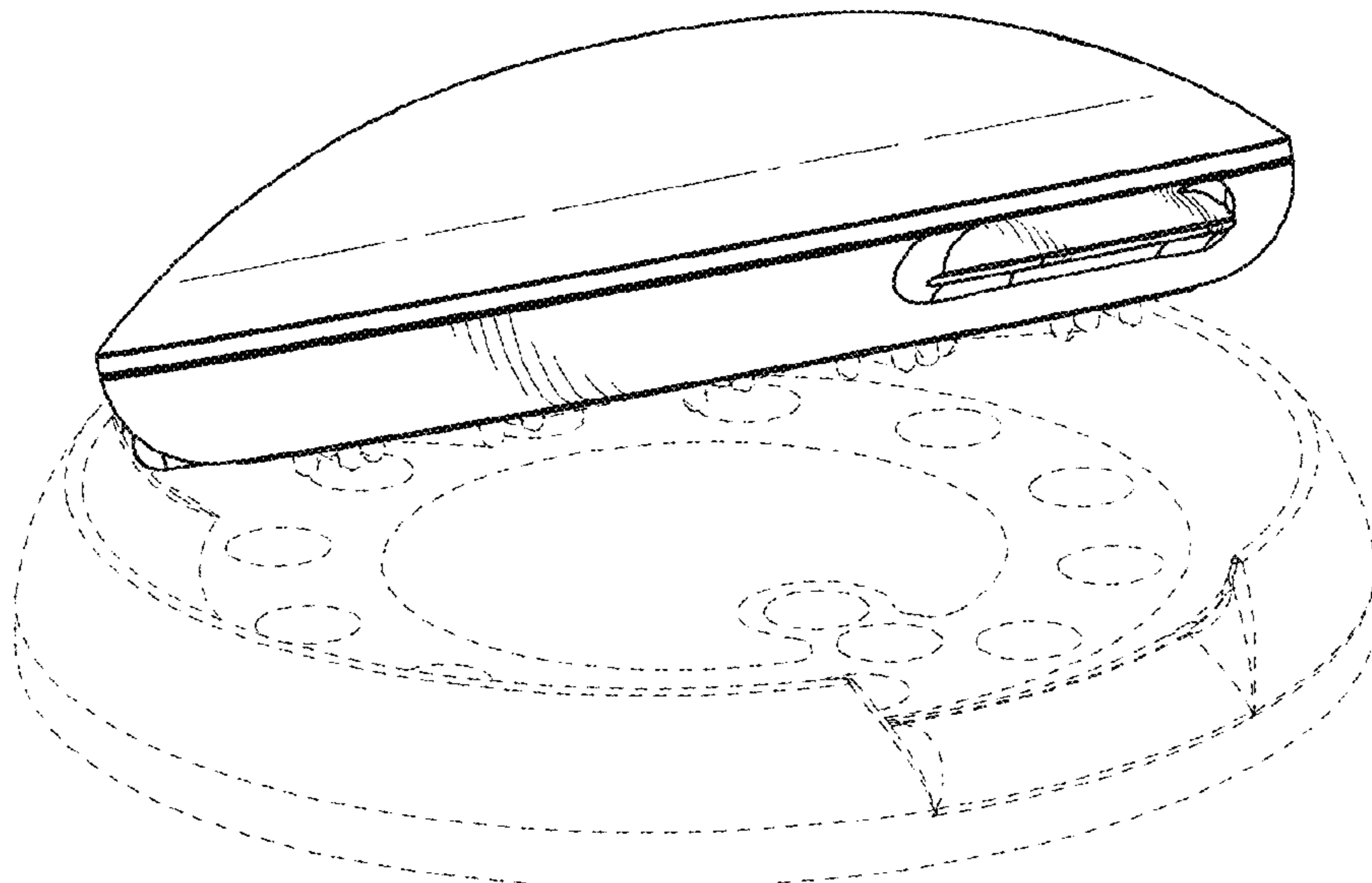
DESCRIPTION

FIG. 1 is a perspective view of the maternal band processing unit showing our new ornamental design.
FIG. 2 is another perspective view thereof.
FIG. 3 is a front elevation view thereof.
FIG. 4 is a back elevation view thereof.
FIG. 5 is a top plan view thereof.
FIG. 6 is a bottom plan view thereof.
FIG. 7 is a left elevational view thereof; and,
FIG. 8 is a right elevational view thereof.
The broken lines showing on the base in FIGS. 1 and 2 represent an environment and all other broken lines illustrate portions of the maternal band processing unit that form no part of the claimed design. The broken lines form no part of the claimed design.

1 Claim, 3 Drawing Sheets

(56) **References Cited**
U.S. PATENT DOCUMENTS

4,781,200 A 11/1988 Baker
D599,909 S * 9/2009 Rinott D24/186
7,949,389 B2 5/2011 Wolfberg et al.
8,075,500 B2 * 12/2011 Berger A61B 5/02411
600/588
D739,776 S * 9/2015 Vu D10/103
D770,625 S * 11/2016 Aytakin D24/167
D779,457 S * 2/2017 Donovan D14/216



(56)

References Cited

U.S. PATENT DOCUMENTS

D846,748 S * 4/2019 Benedikter D24/186
2007/0260155 A1* 11/2007 Rapoport A61B 5/0444
600/528
2010/0191154 A1* 7/2010 Berger A61B 5/02411
600/595
2013/0102856 A1 4/2013 Wolfberg
2013/0197362 A1 8/2013 Mittal et al.
2016/0183873 A1 6/2016 Lin et al.
2016/0317091 A1 11/2016 Olukoya et al.
2017/0127995 A1 5/2017 Hyde et al.
2017/0127996 A1 5/2017 Hyde et al.
2017/0127997 A1 5/2017 Hyde et al.
2017/0265799 A1 9/2017 Du et al.

FOREIGN PATENT DOCUMENTS

CN 105997059 10/2016
CN 106999100 8/2017
CN 201730353108 * 8/2017
CN 107260177 10/2017
WO 2009146181 12/2009
WO 2012052904 4/2012
WO 2013059267 4/2013
WO 2014002823 1/2014
WO 2016067276 5/2016
WO 2017093251 6/2017
WO 2017102566 6/2017
WO 2017142277 8/2017

* cited by examiner

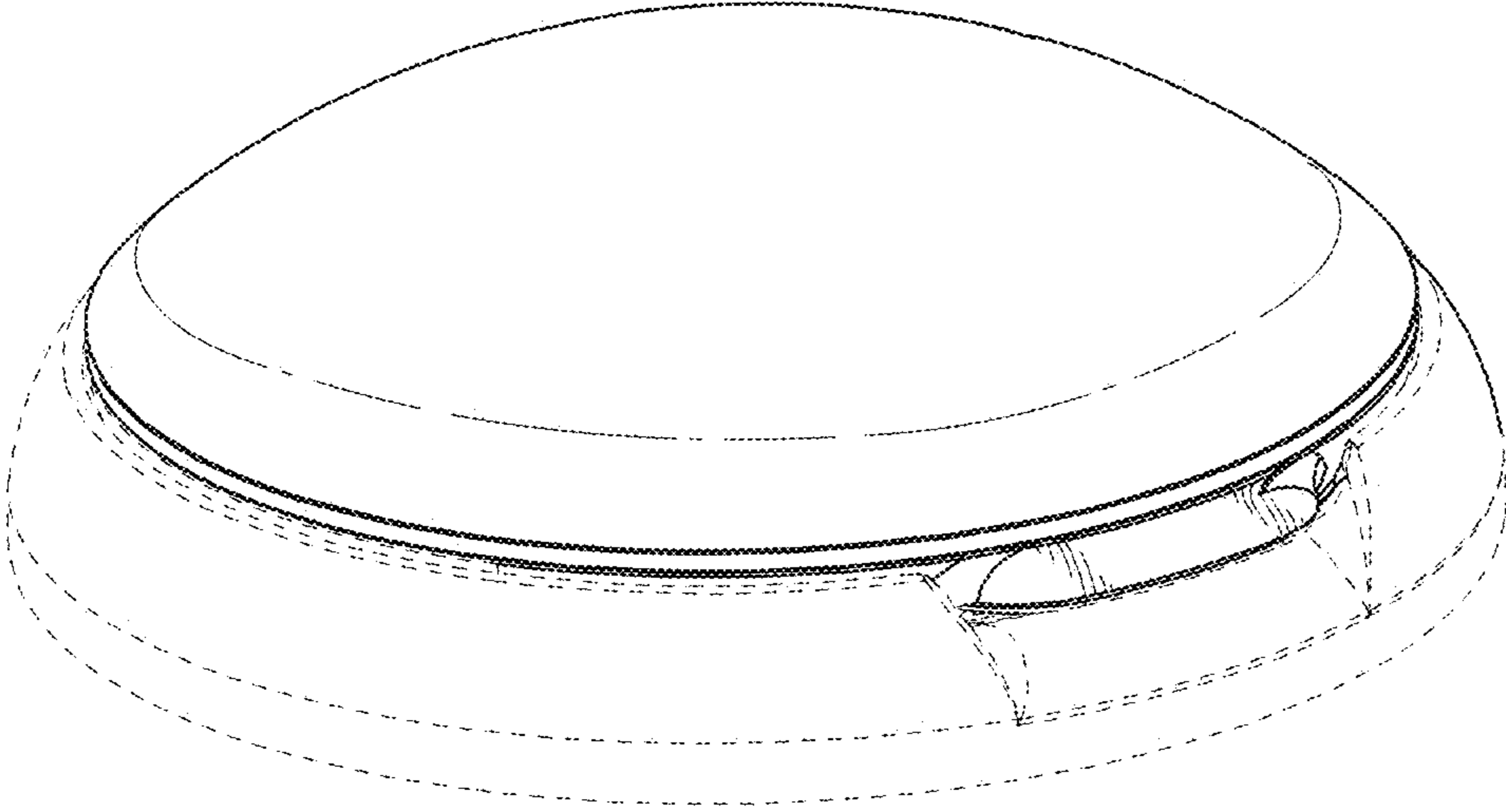


FIG. 1

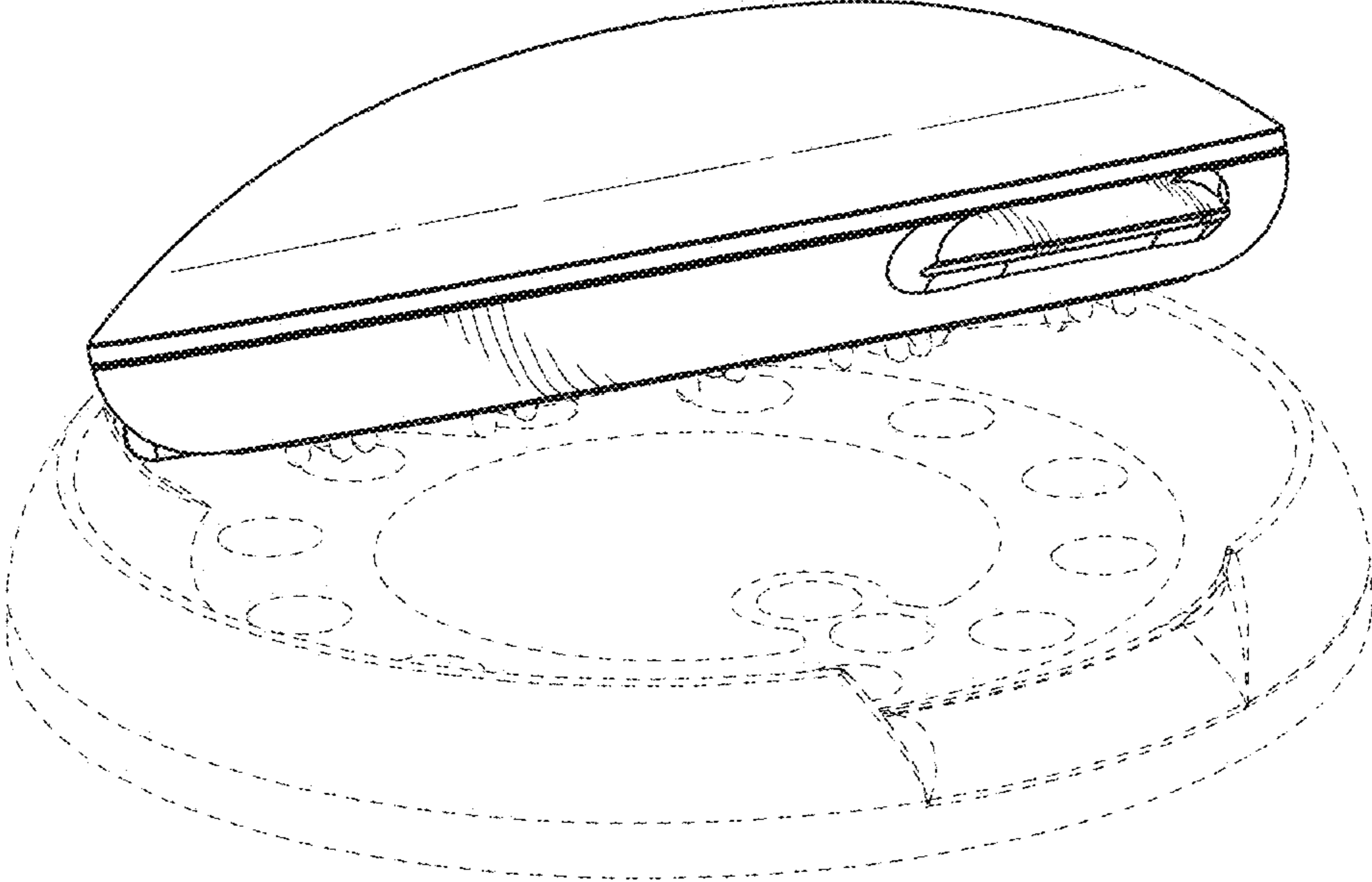


FIG. 2

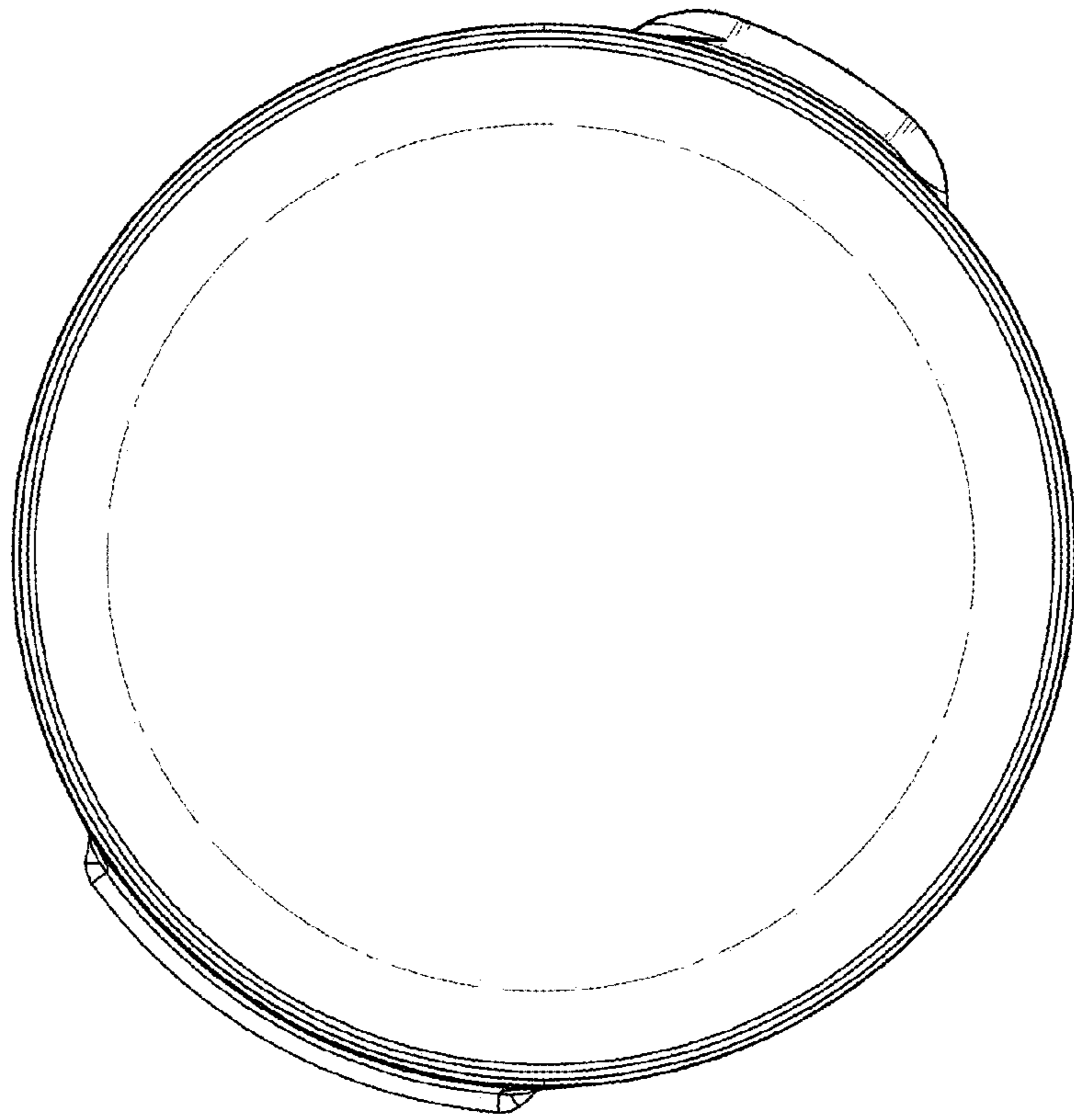


FIG. 3

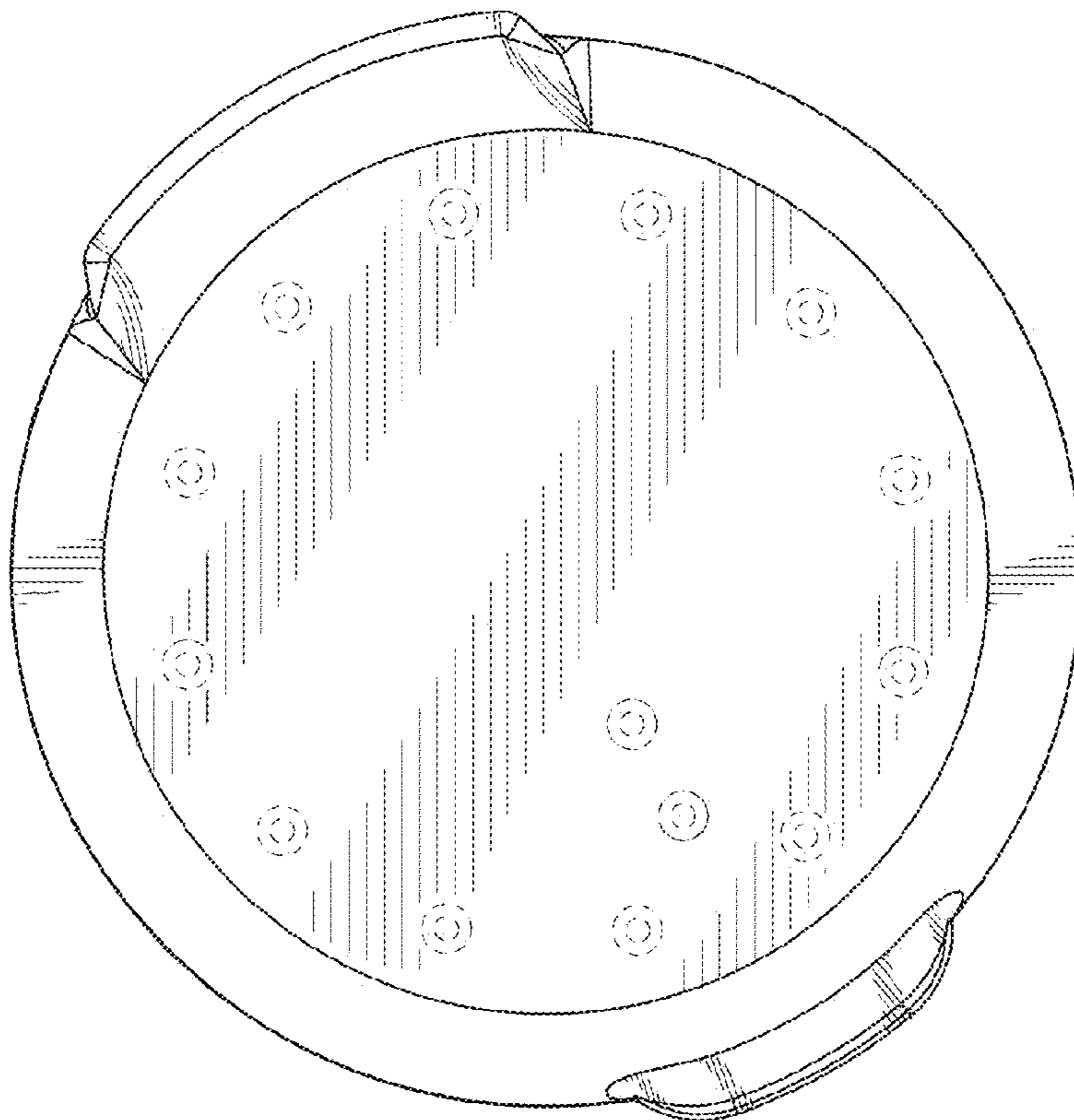


FIG. 4

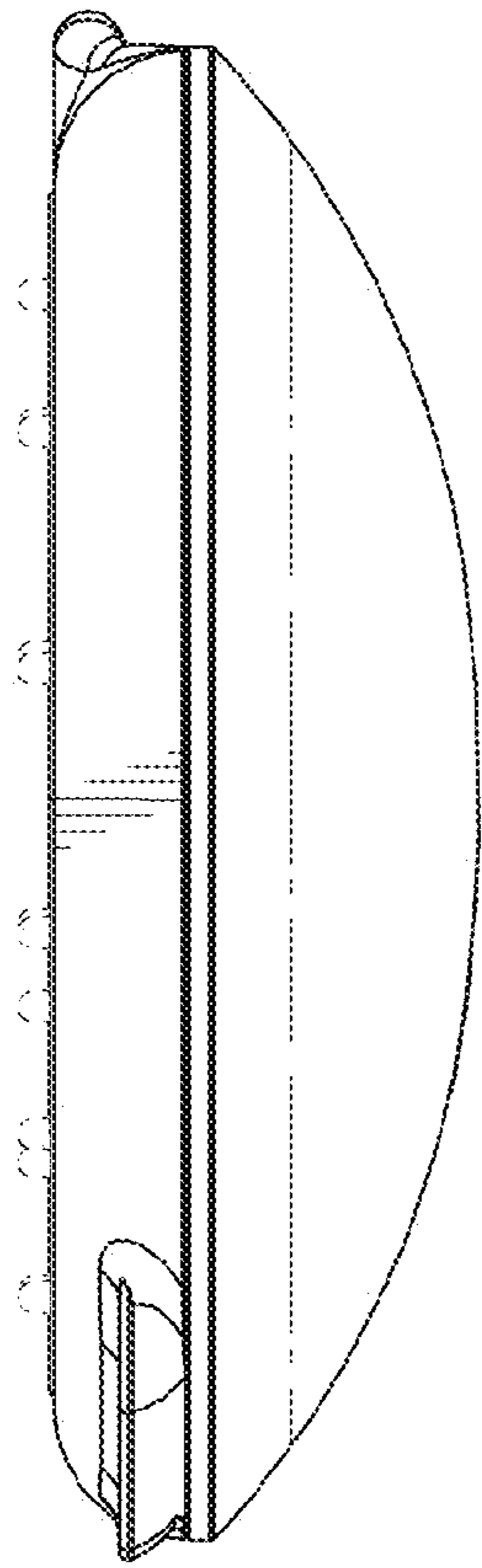


FIG. 5

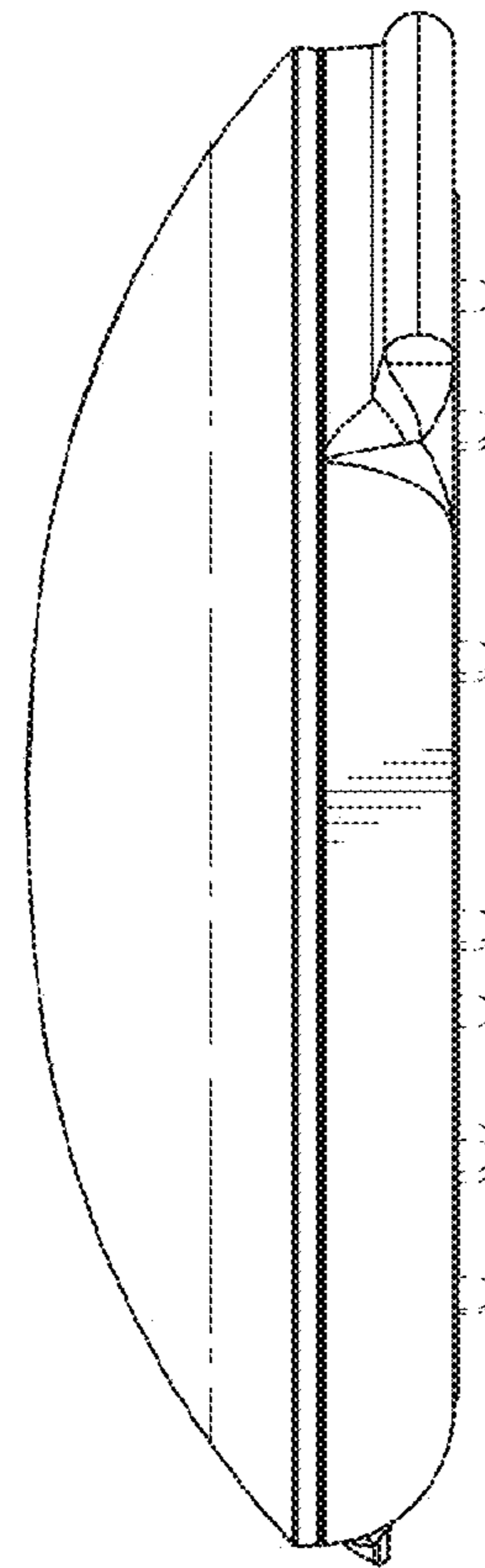


FIG. 6

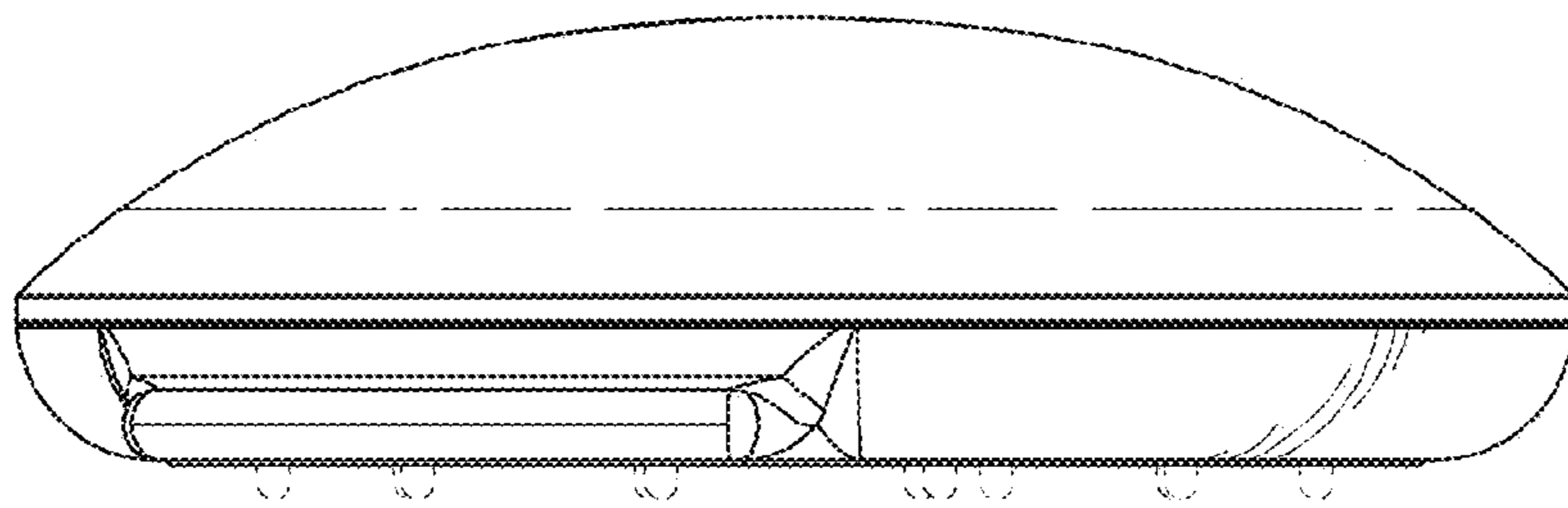


FIG. 7

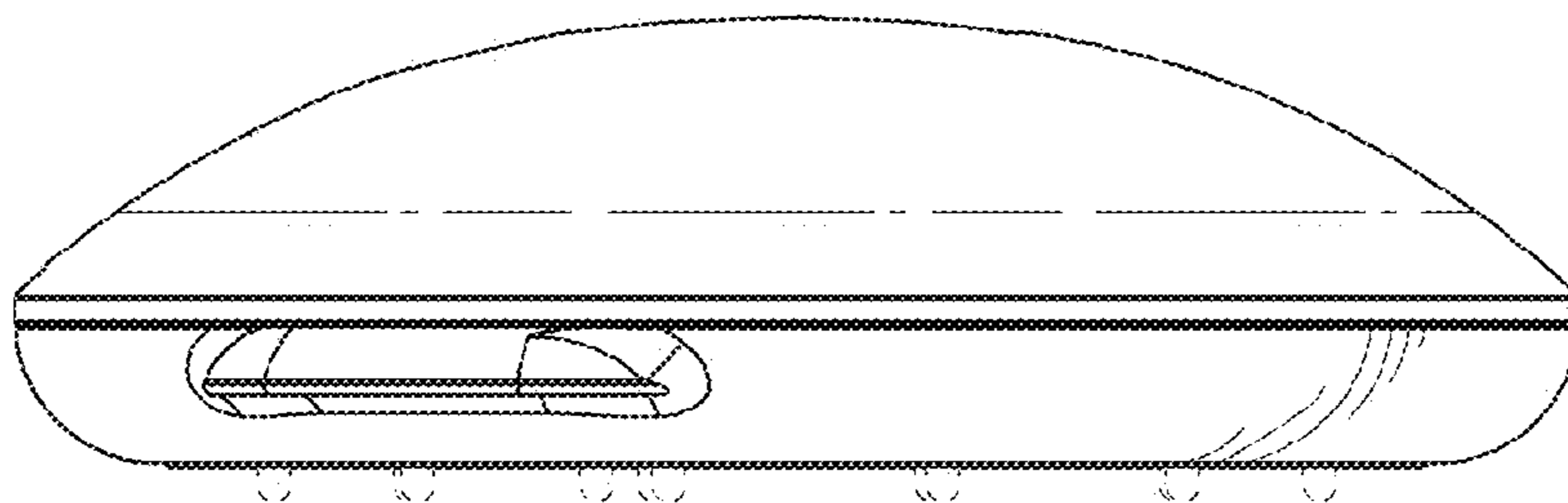


FIG. 8