

US00D877342S

(12) **United States Design Patent**  
**Canady et al.**

(10) **Patent No.:** **US D877,342 S**  
(45) **Date of Patent:** **\*\* Mar. 3, 2020**

(54) **ELECTROSURGICAL GENERATOR WITH CART**

FOREIGN PATENT DOCUMENTS

(71) Applicant: **U.S. Patent Innovations, LLC**,  
Takoma Park, MD (US)

JP D1608109 \* 7/2018

(72) Inventors: **Jerome Canady**, Lakeland, FL (US);  
**Feng Yan**, Fairfax, VA (US); **Tse Huai Wu**,  
Fairfax, VA (US); **Taisen Zhuang**, Vienna, VA (US);  
**Omar Dary**, Reston, VA (US); **Megan O'Connell**,  
Silver Spring, MD (US); **Daniel Tabatabai**,  
Annandale, VA (US); **Charlesa Humphrey**,  
Bowie, MD (US)

OTHER PUBLICATIONS

StoreMoreStore. Link: <https://www.storemorestore.com/Surgical-Instrument-Carts-Hospital-Operating-Room-p/sms-86-elcsc-2-p.htm>. Visited Mar. 4, 2019. Surgical Instrument Carts Hospital Operating Room Case Carts Eagle ELCSC-2. (Year: 2019).\*

(73) Assignee: **US PATENT INNOVATIONS, LLC**,  
Takoma Park, MD (US)

*Primary Examiner* — Susan Bennett Hattan  
*Assistant Examiner* — Lauren D McVey  
(74) *Attorney, Agent, or Firm* — 24IP Law Group USA,  
PLLC; Timothy Dewitt

(\*\*) Term: **15 Years**

(57) **CLAIM**

The ornamental design for a electrosurgical generator with cart, as shown and described.

(21) Appl. No.: **29/634,857**

**DESCRIPTION**

(22) Filed: **Jan. 25, 2018**

(51) **LOC (12) Cl.** ..... **24-02**

(52) **U.S. Cl.**  
USPC ..... **D24/185**

(58) **Field of Classification Search**  
USPC ..... D24/170, 185, 186, 164, 165, 231, 234,  
D24/110.5, 110.6, 110, 110.1, 110.2,  
D24/110.3, 110.4  
CPC ..... A61B 50/13; A61B 50/18; A61B 50/20;  
A61B 2018/00577; A61B 2018/00583;  
(Continued)

FIG. 1 is a perspective view of the electrosurgical generator with cart;  
FIG. 2 is a front view of the electrosurgical generator with cart;  
FIG. 3 is a back view of the electrosurgical generator with cart;  
FIG. 4 is a right side view of the electrosurgical generator with cart;  
FIG. 5 is a left side view of the electrosurgical generator with cart;  
FIG. 6 is a top view of the electrosurgical generator with cart; and,  
FIG. 7 is a bottom view of the electrosurgical generator with cart.

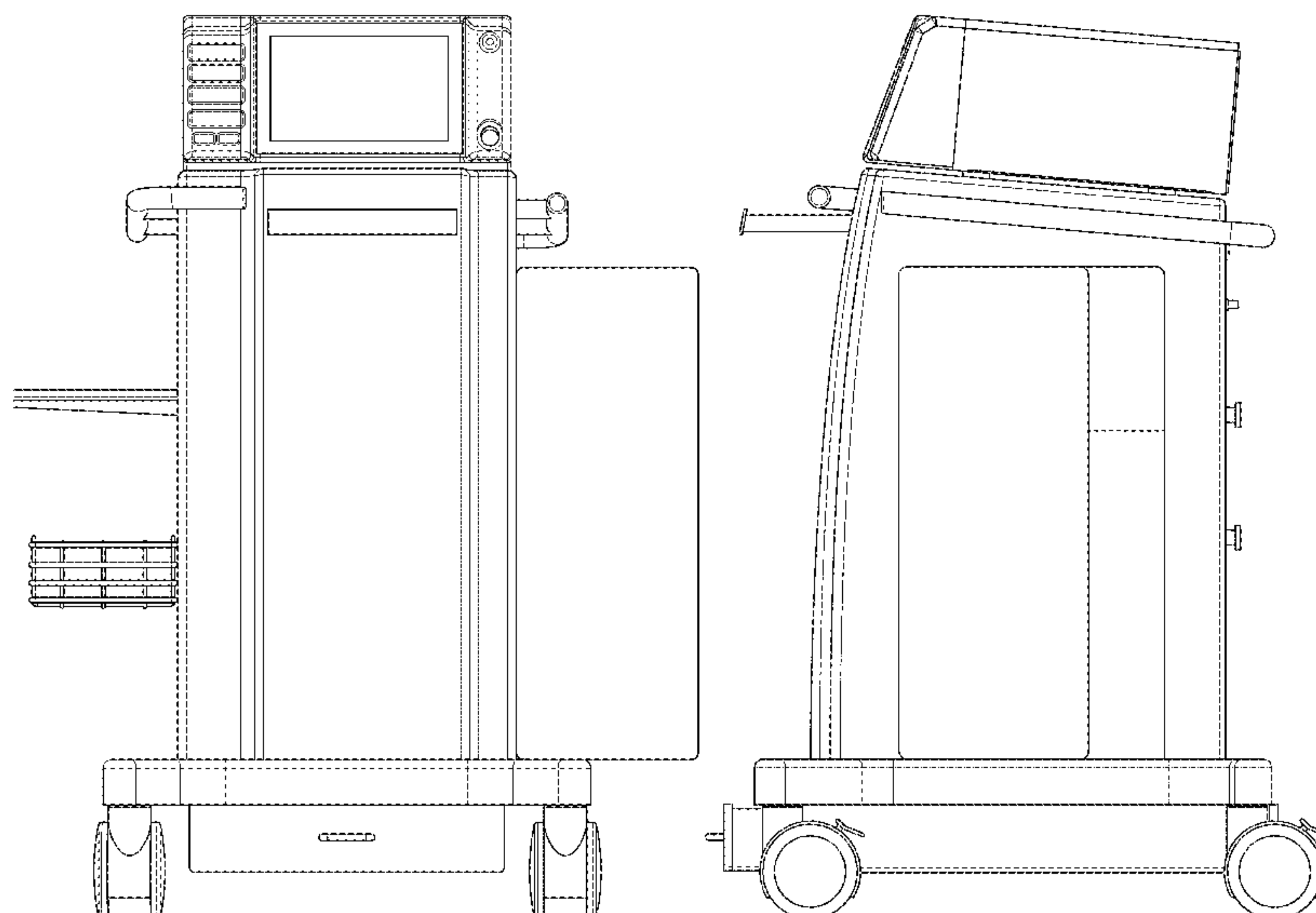
The wire frame lines shown throughout the views are intended to indicate surface contour.  
The broken lines depict portions of the electrosurgical generator with cart that form no part of the claimed design.

(56) **References Cited**

U.S. PATENT DOCUMENTS

5,590,648 A \* 1/1997 Mitchell ..... A61B 5/02  
600/301  
D389,917 S \* 1/1998 Hornback ..... D24/185  
D447,567 S \* 9/2001 Murphy ..... D24/172  
(Continued)

**1 Claim, 7 Drawing Sheets**



(58) **Field of Classification Search**

CPC . A61B 18/10; A61B 18/1206; A61B 18/1815;  
A61B 2018/1853; A61G 12/001

See application file for complete search history.

(56) **References Cited**

U.S. PATENT DOCUMENTS

D503,981	S *	4/2005	Fischer	.....	D24/185
D640,437	S *	6/2011	Opsahl	.....	D34/19
D643,535	S *	8/2011	Ross	.....	D24/164
D655,013	S *	2/2012	Sabaris Vilas	.....	D24/185
D702,842	S *	4/2014	Hyde	.....	D24/185
8,814,107	B2 *	8/2014	Hampe	.....	F16M 11/04 248/121
D767,423	S *	9/2016	Choudhary	.....	D10/81
10,045,829	B1 *	8/2018	Norman	.....	A61G 15/14
2001/0035702	A1 *	11/2001	Murphy	.....	A61G 12/001 312/229
2006/0042634	A1 *	3/2006	Nalagatla	.....	A61B 5/0836 128/207.18
2016/0095779	A1	4/2016	Canady et al.		

\* cited by examiner

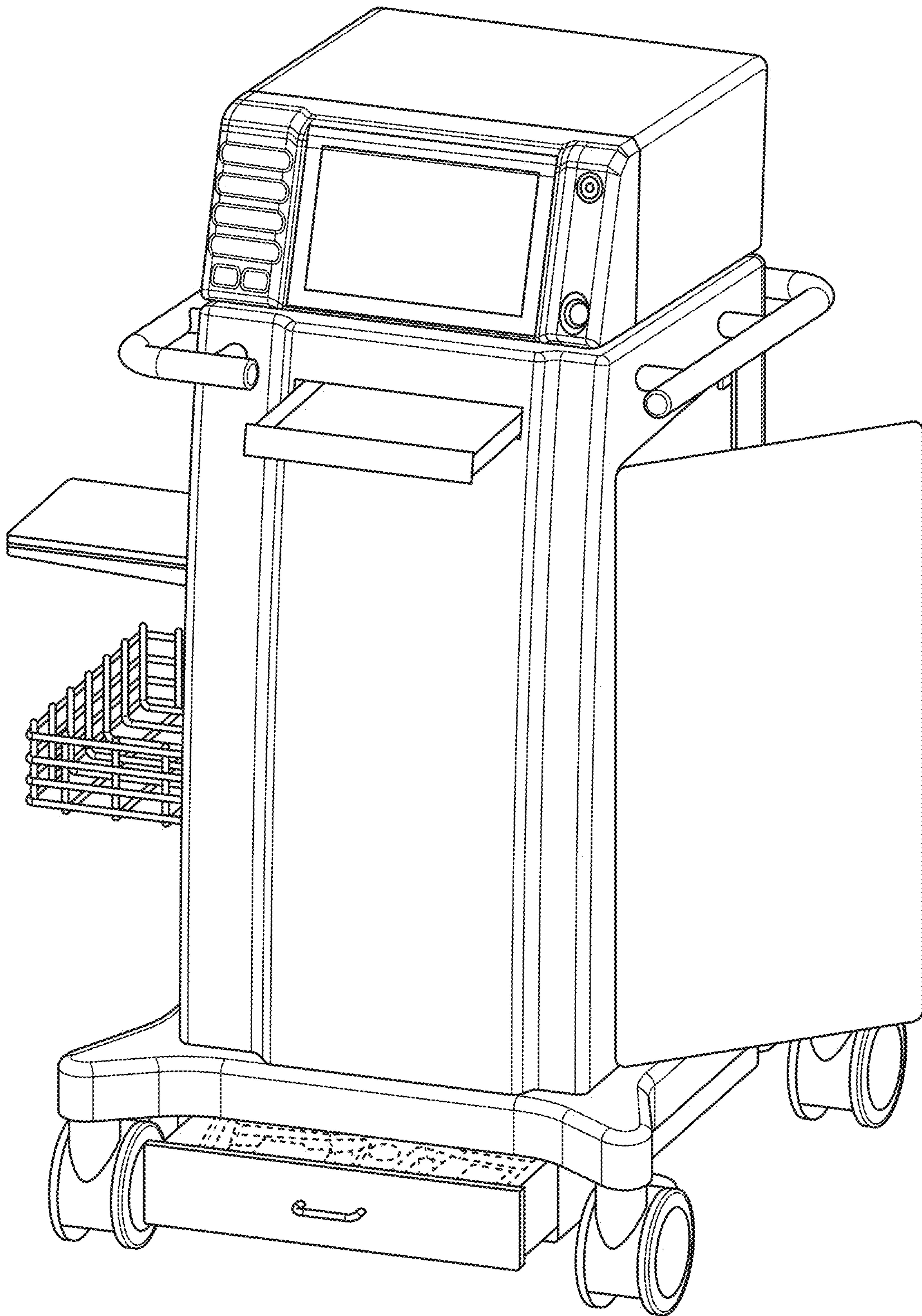


FIG. 1



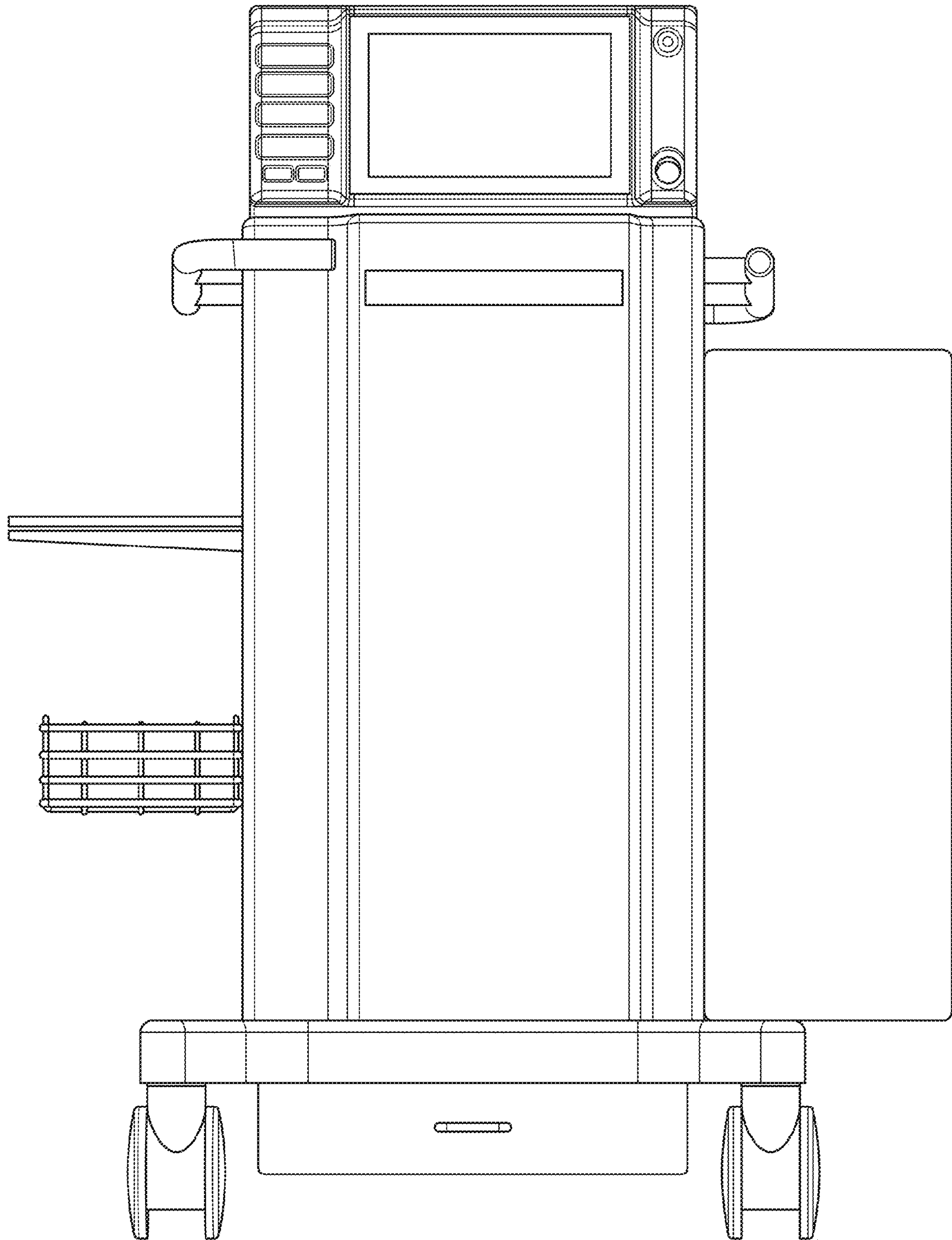


FIG. 2

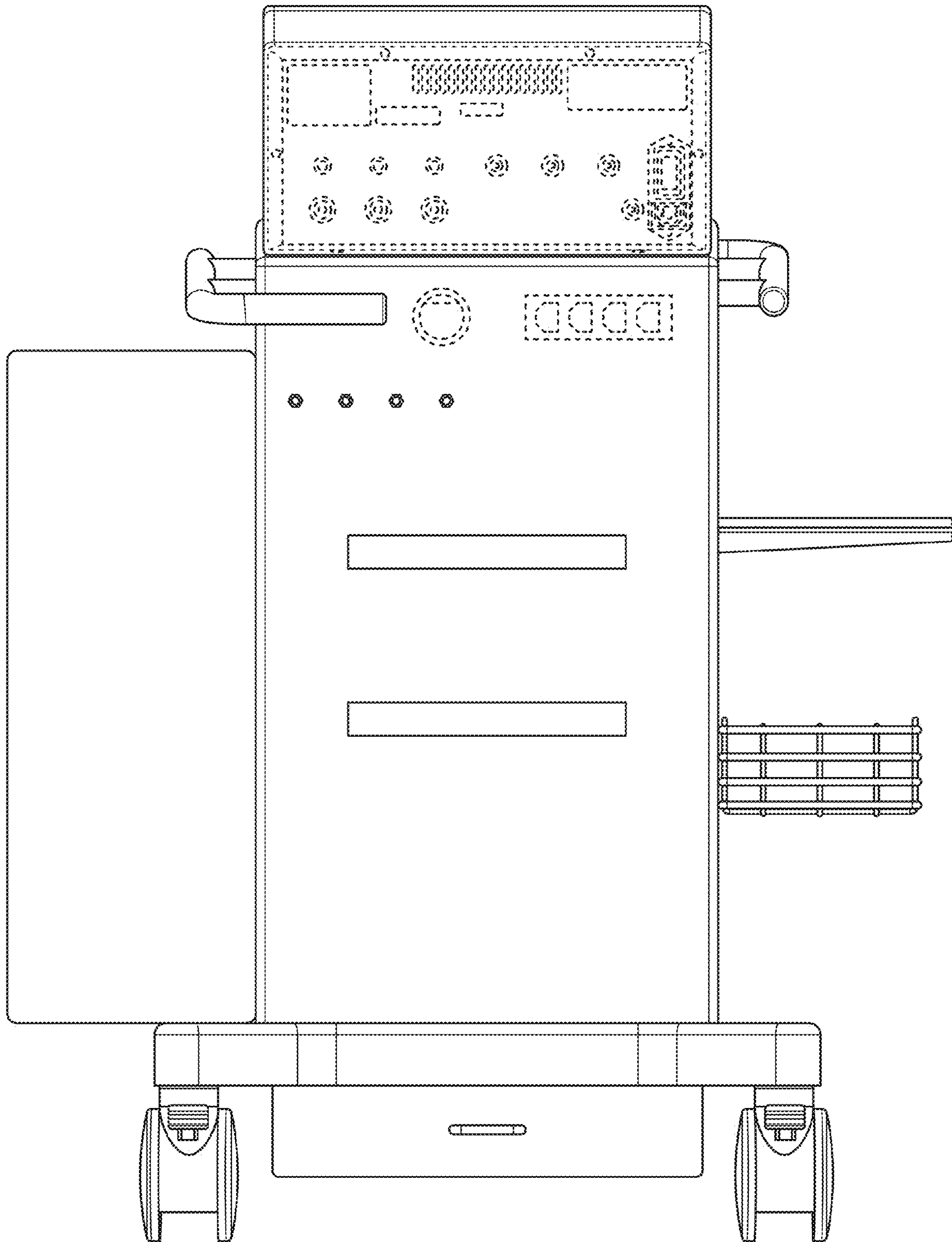


FIG. 3

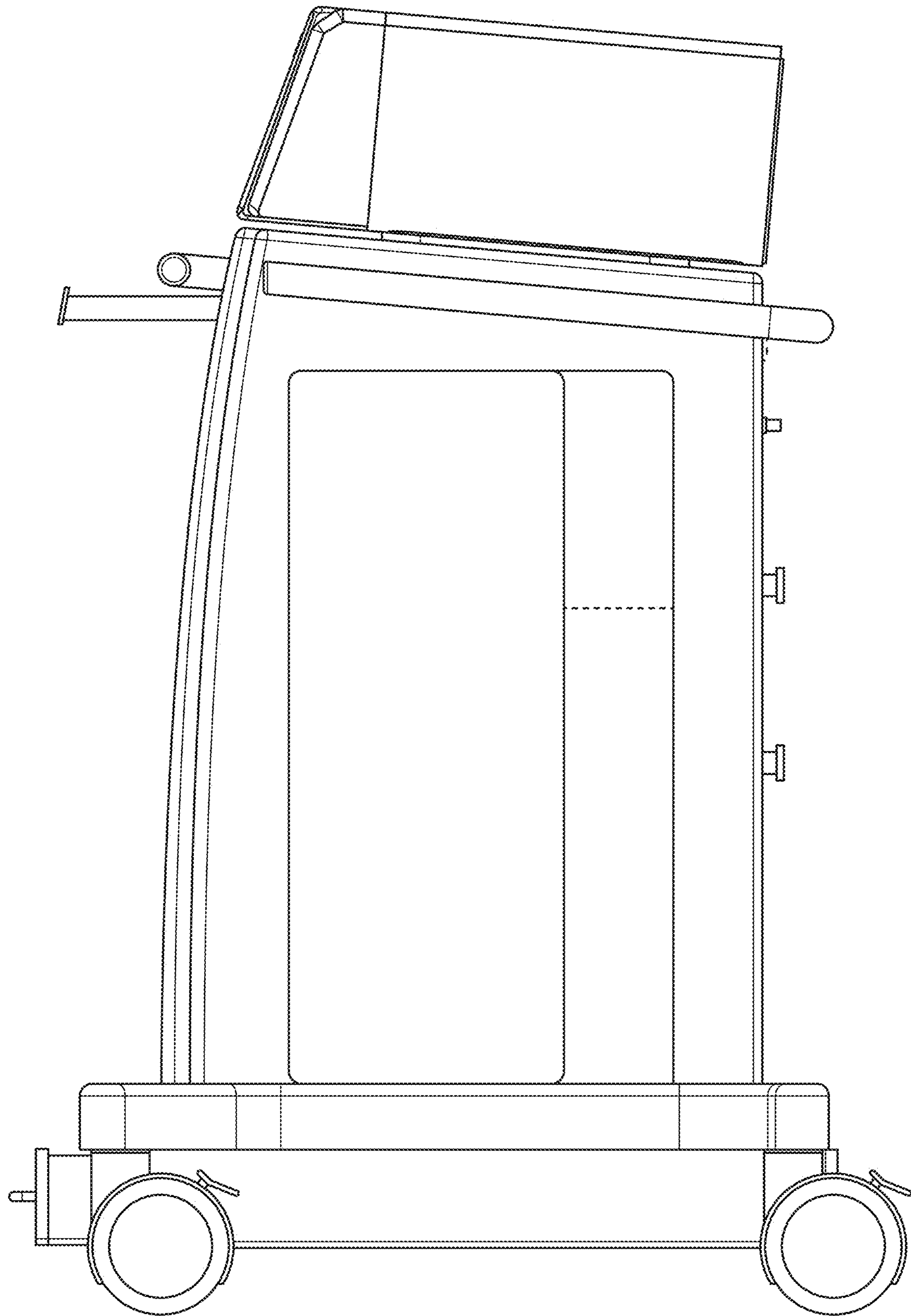


FIG. 4

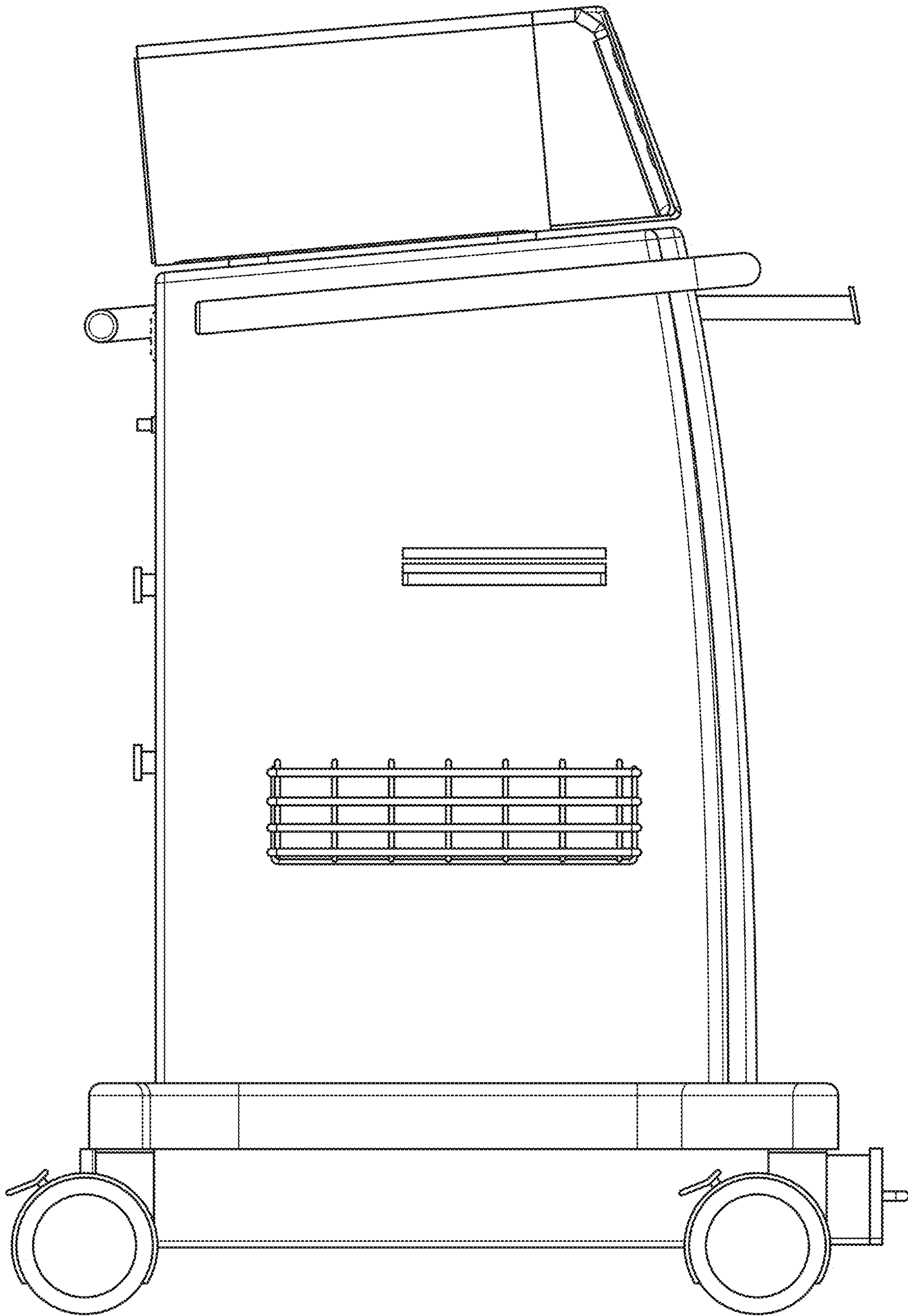


FIG. 5



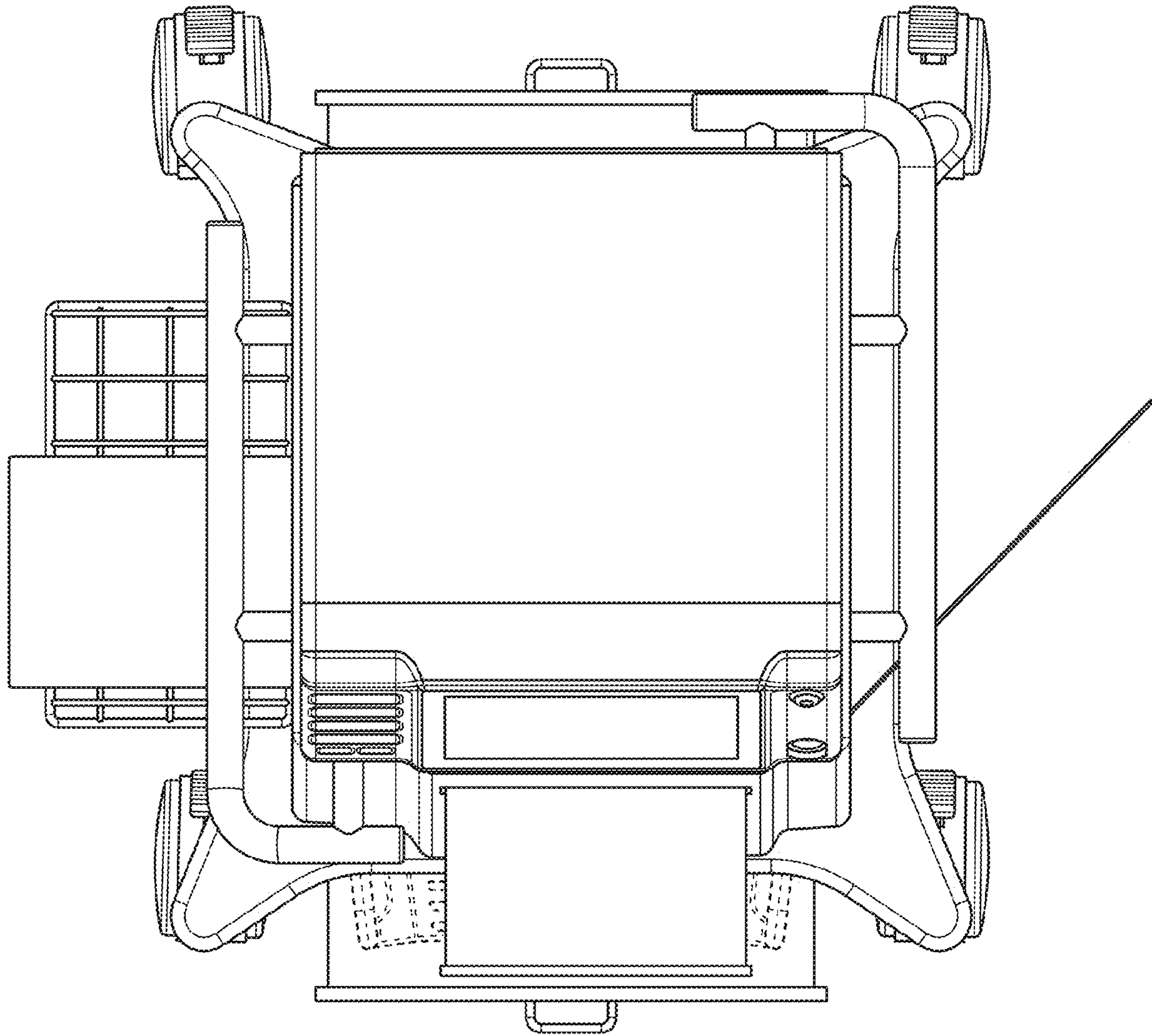


FIG. 6



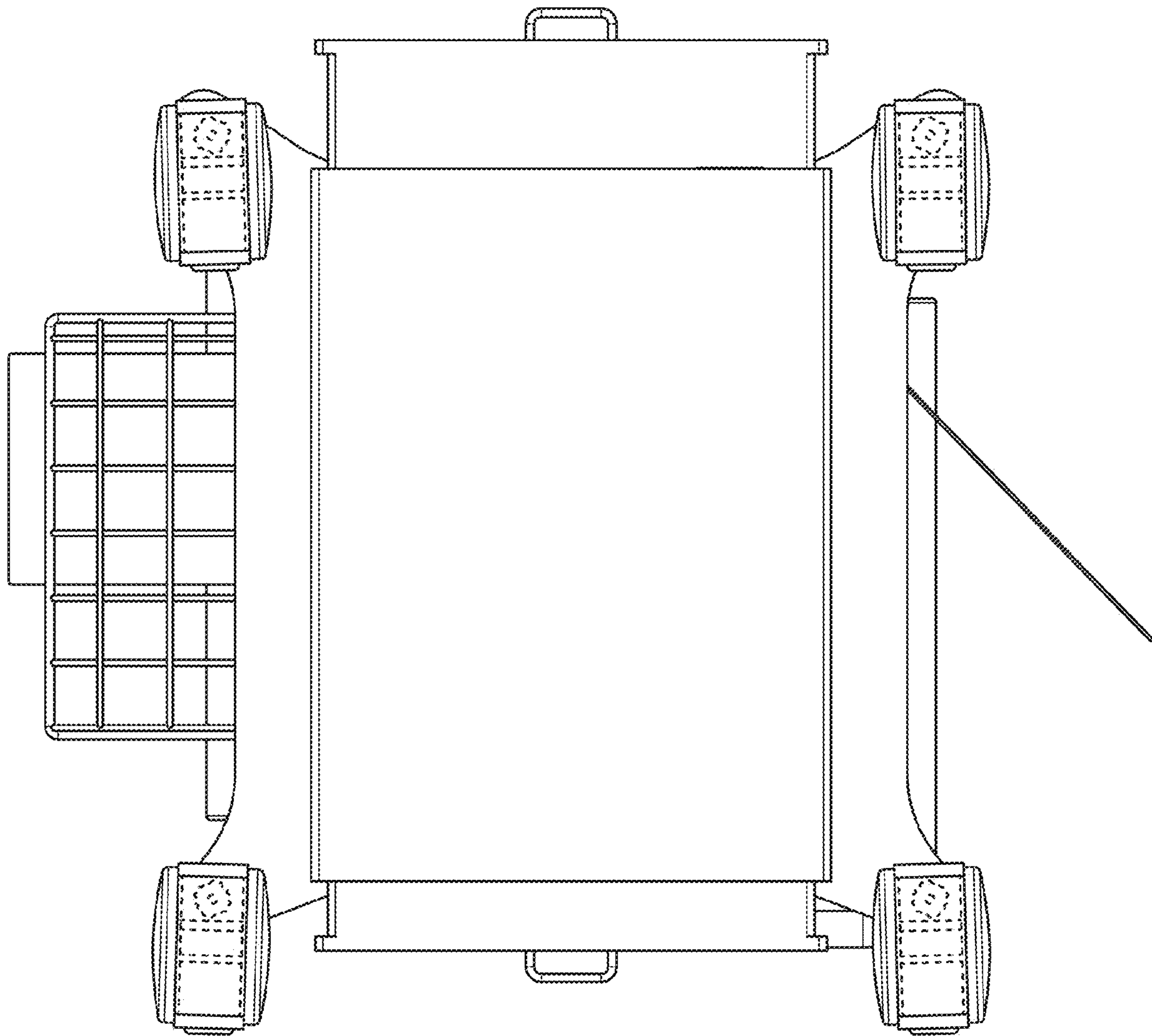


FIG. 7