



US00D877340S

(12) **United States Design Patent**
Montgomery

(10) **Patent No.:** **US D877,340 S**
(45) **Date of Patent:** **** Mar. 3, 2020**

(54) **DENTAL MOUTHPIECE FOR TOOTH WHITENING**

(71) Applicant: **R. Eric Montgomery**, Monterey, MA (US)

(72) Inventor: **R. Eric Montgomery**, Monterey, MA (US)

(73) Assignee: **ORAL CARE PRODUCTS, LLC**, El Segundo, CA (US)

(**) Term: **15 Years**

(21) Appl. No.: **29/659,885**

(22) Filed: **Aug. 13, 2018**

(51) **LOC (12) Cl.** **24-02**

(52) **U.S. Cl.**
USPC **D24/176**

(58) **Field of Classification Search**
USPC D24/176-182, 107-108; 433/29, 215
CPC ... A61C 19/066; A61C 19/006; A61C 19/063;
A61C 19/0006; A61C 9/0006; A61C 7/08; A61C 7/36
See application file for complete search history.

(56) **References Cited**

U.S. PATENT DOCUMENTS

D496,495 S	9/2004	Jeffers et al.
7,156,656 B2	1/2007	Duret
7,160,111 B2	1/2007	Baughman
7,320,595 B2	1/2008	Duret
7,331,784 B2	2/2008	Suzuki
7,572,124 B2	8/2009	Cipolla et al.
D636,074 S	4/2011	Levine
8,021,148 B2	9/2011	Goodson et al.
8,029,278 B1	10/2011	Levine
8,215,954 B2	7/2012	Levine
8,371,853 B2	2/2013	Levine
8,591,227 B2	11/2013	Levine

D697,302 S	1/2014	Pourcho
D765,255 S	8/2016	Levine
9,492,257 B2	11/2016	Jablow et al.
D795,439 S	8/2017	Mounce
9,730,780 B2	8/2017	Brawn et al.
D802,771 S	11/2017	Schmid et al.
9,901,744 B2	2/2018	Demarest et al.
10,123,860 B2 *	11/2018	Levine A61C 19/063
D836,204 S *	12/2018	Montgomery D24/181
2008/0233541 A1	9/2008	De Vreese et al.
2011/0076636 A1	3/2011	Wolff et al.
2013/0280671 A1	10/2013	Brawn et al.
2016/0271415 A1	9/2016	Min
2017/0027675 A1	2/2017	Nahshon
2017/0080249 A1	3/2017	Brawn et al.
2017/0173354 A1	6/2017	Demarest et al.
2017/0173358 A1	6/2017	Demarest et al.
2017/0224455 A1	8/2017	Levine et al.

(Continued)

FOREIGN PATENT DOCUMENTS

WO 2018026892 2/2018

Primary Examiner — Wan Laymon

(74) *Attorney, Agent, or Firm* — Cislo & Thomas, LLP

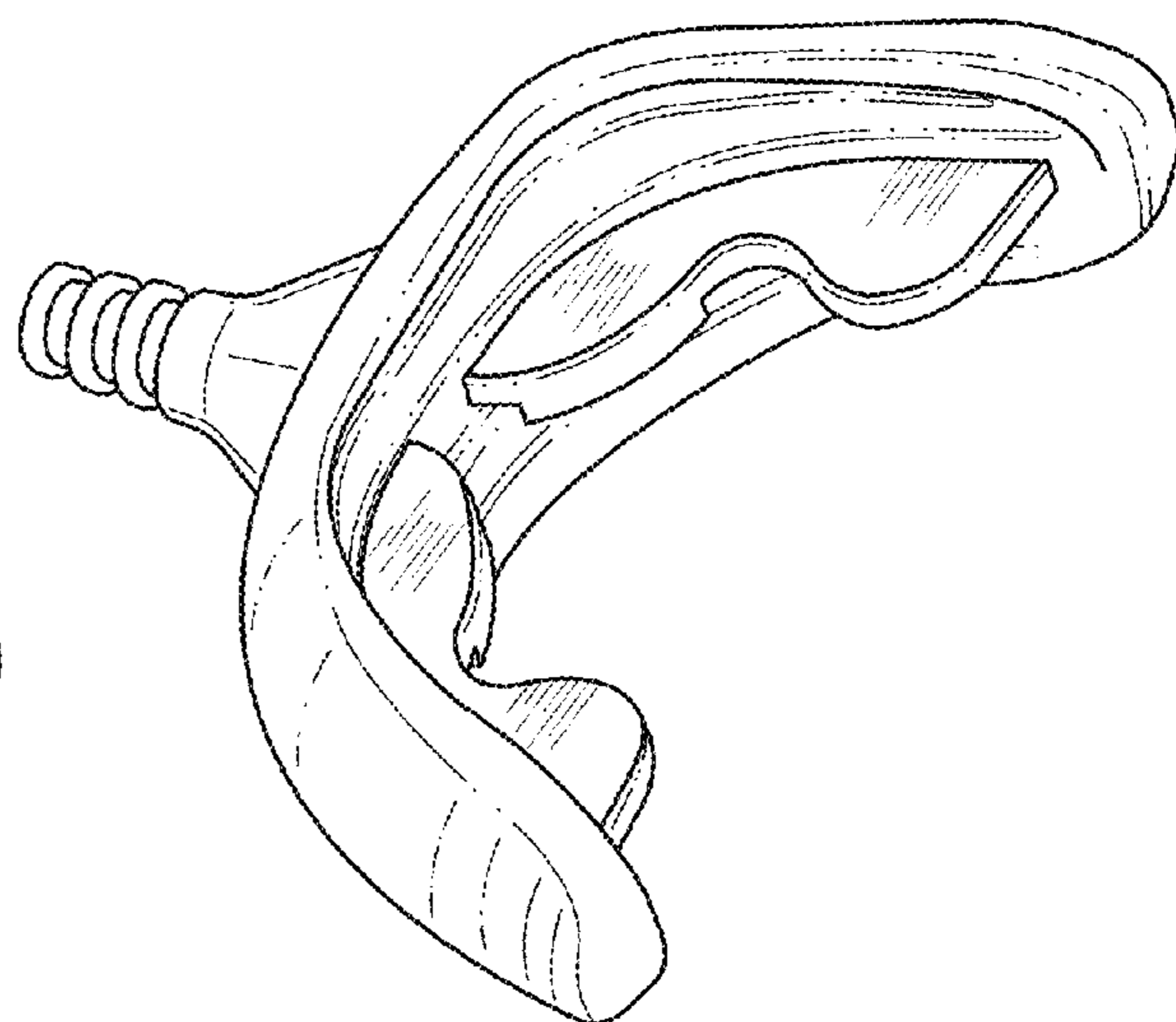
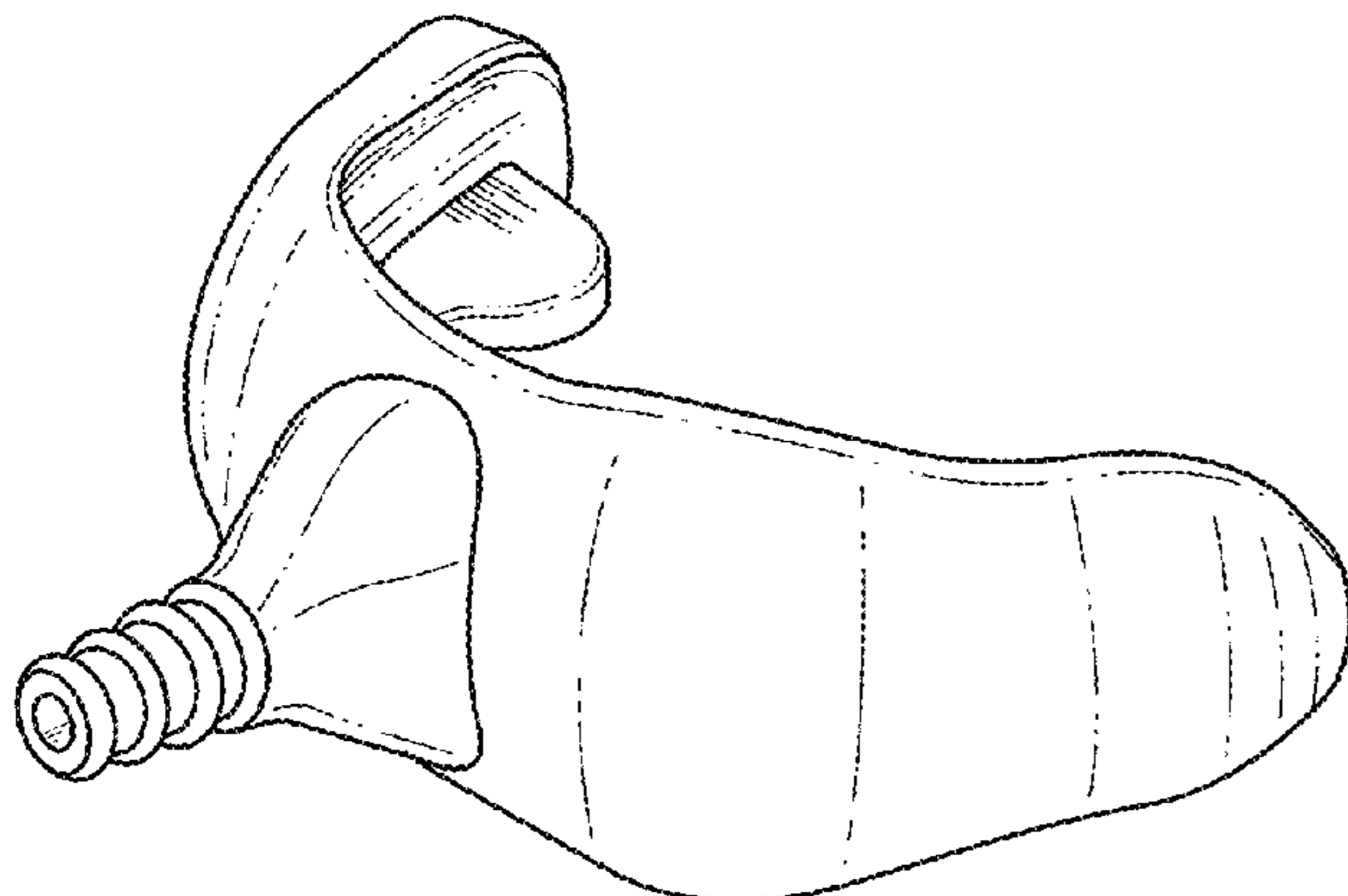
(57) **CLAIM**

The ornamental design for a dental mouthpiece for tooth whitening, as shown and described.

DESCRIPTION

FIG. 1 is a rear perspective view of the dental mouthpiece for tooth whitening showing my new design; FIG. 2 is front perspective view thereof; FIG. 3 is a front elevation view thereof; FIG. 4 is a rear elevation view thereof; FIG. 5 is a right side elevation view thereof; FIG. 6 is a left side elevation view thereof; FIG. 7 is a top plan view thereof; and, FIG. 8 is a bottom plan view thereof.

1 Claim, 8 Drawing Sheets



(56)

References Cited

U.S. PATENT DOCUMENTS

2017/0290648 A1 10/2017 Kuo
2018/0125627 A1 5/2018 Mounce
2019/0151060 A1* 5/2019 Otsuka A61C 17/0211

* cited by examiner

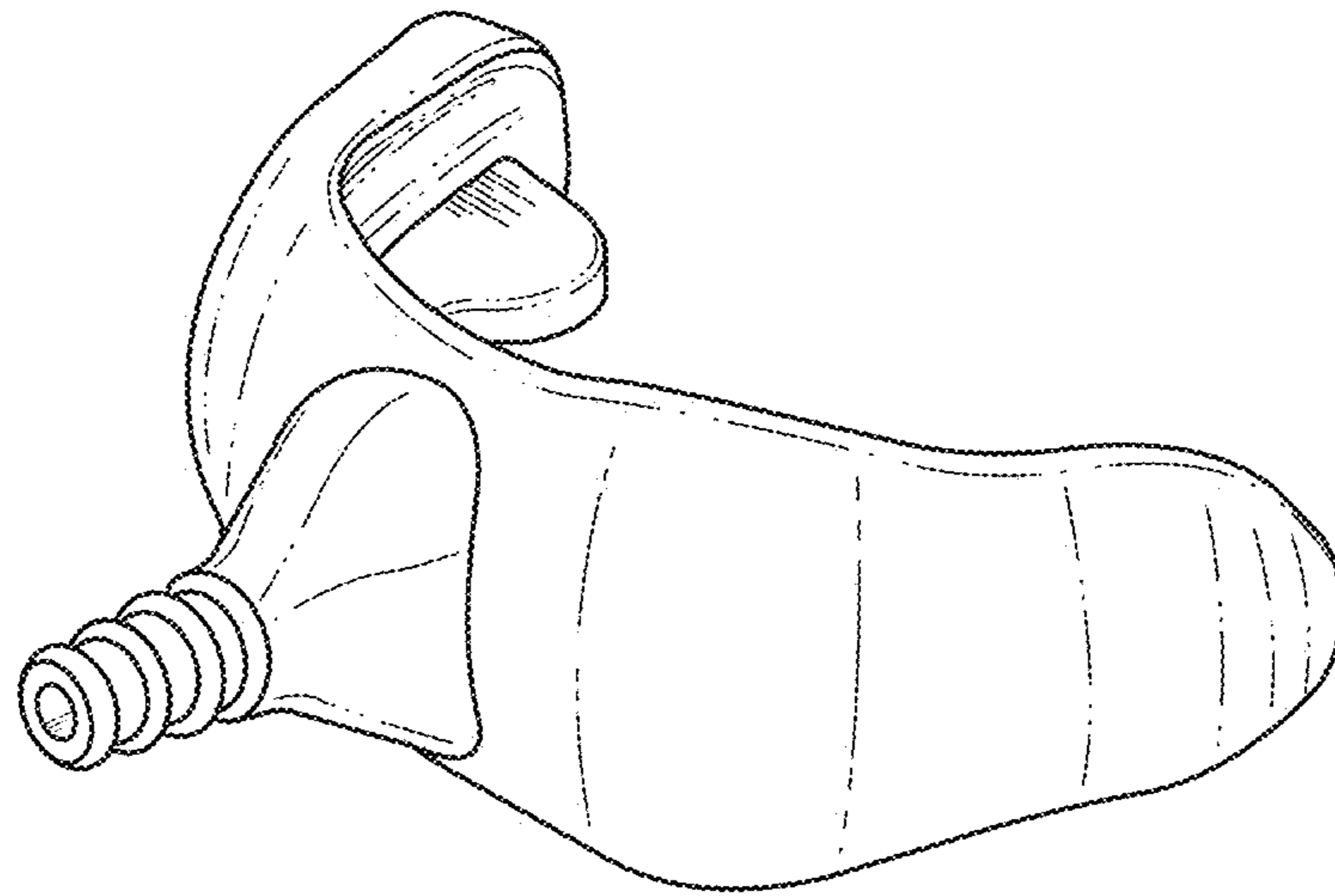


Fig. 1

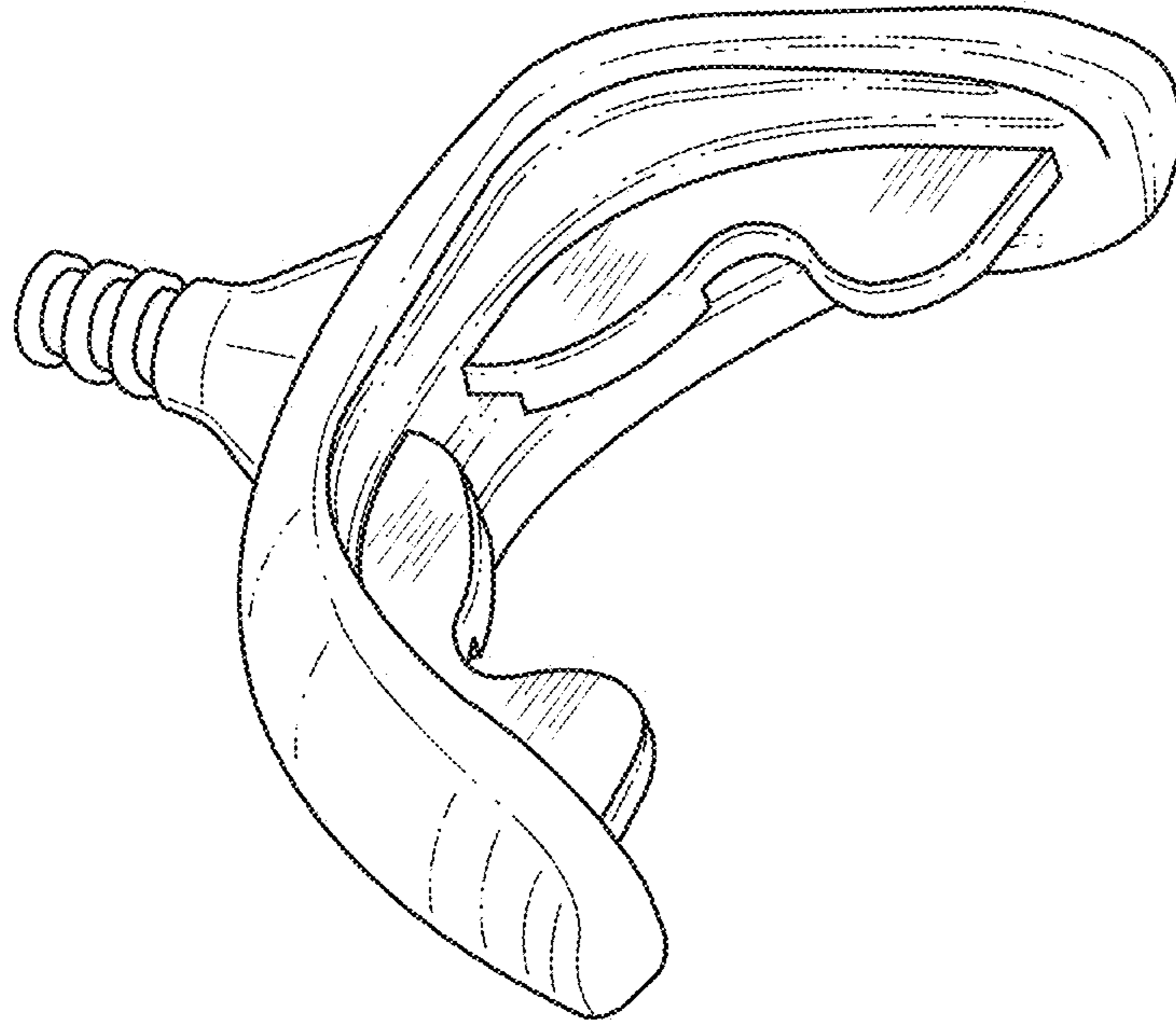


Fig. 2

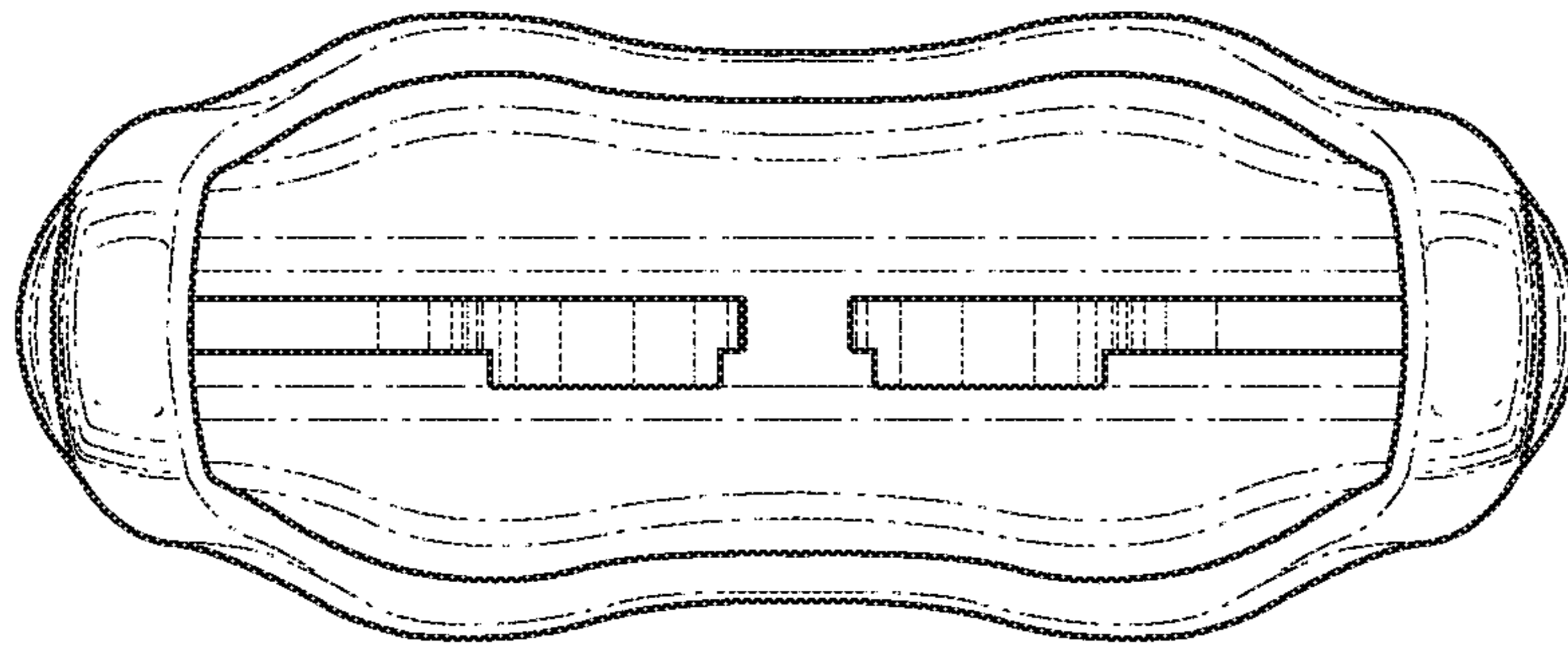


Fig. 3

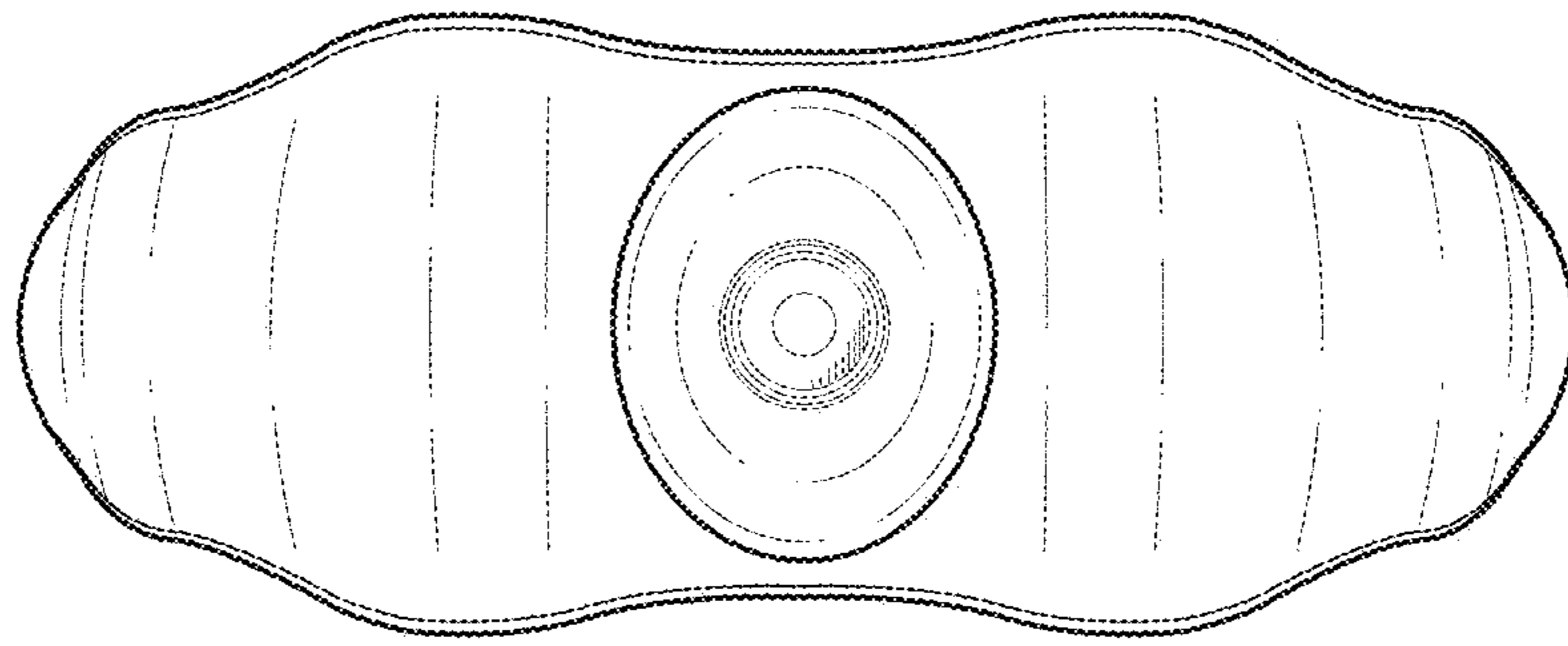


Fig. 4

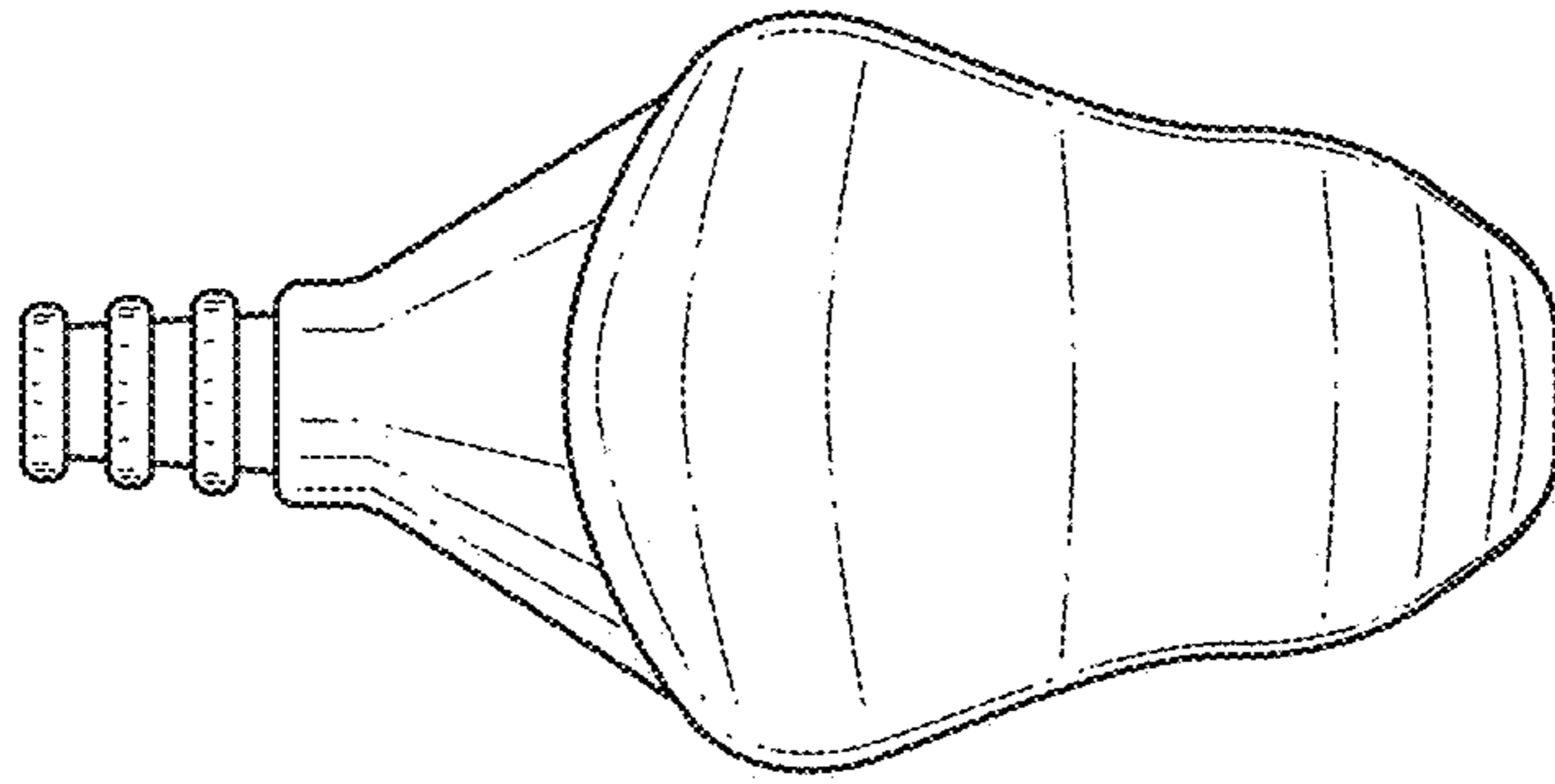


Fig. 5

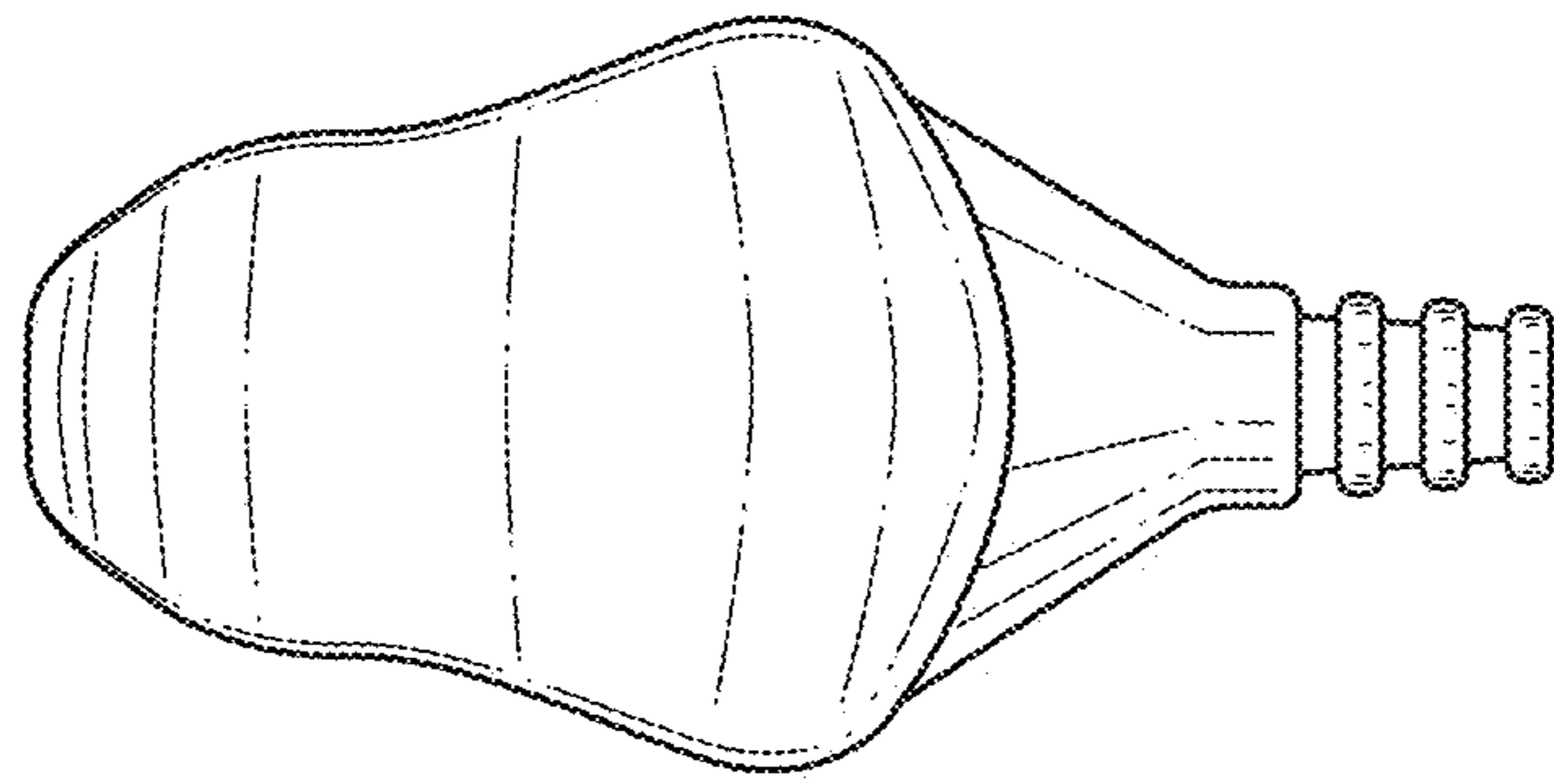


Fig. 6

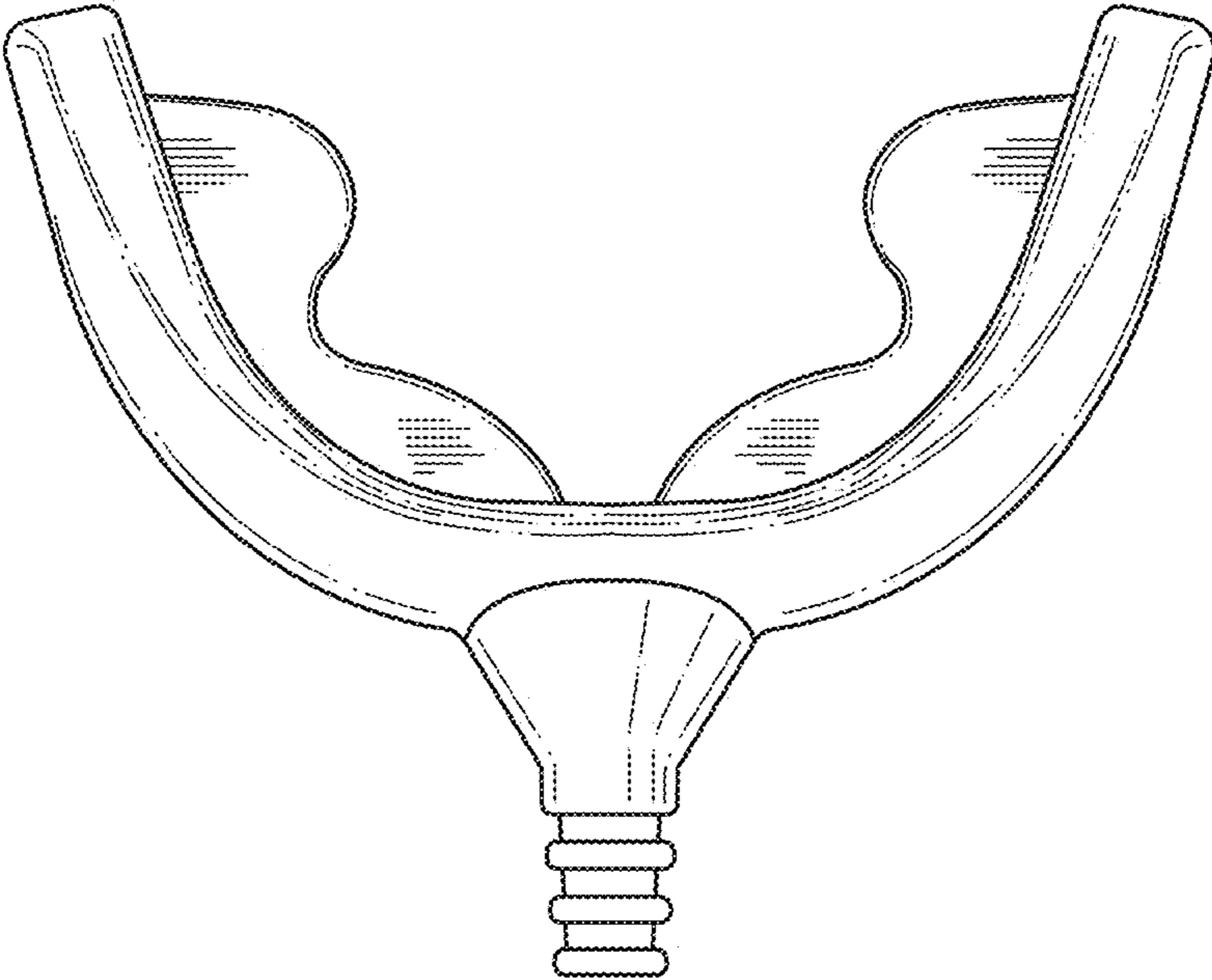


Fig. 7

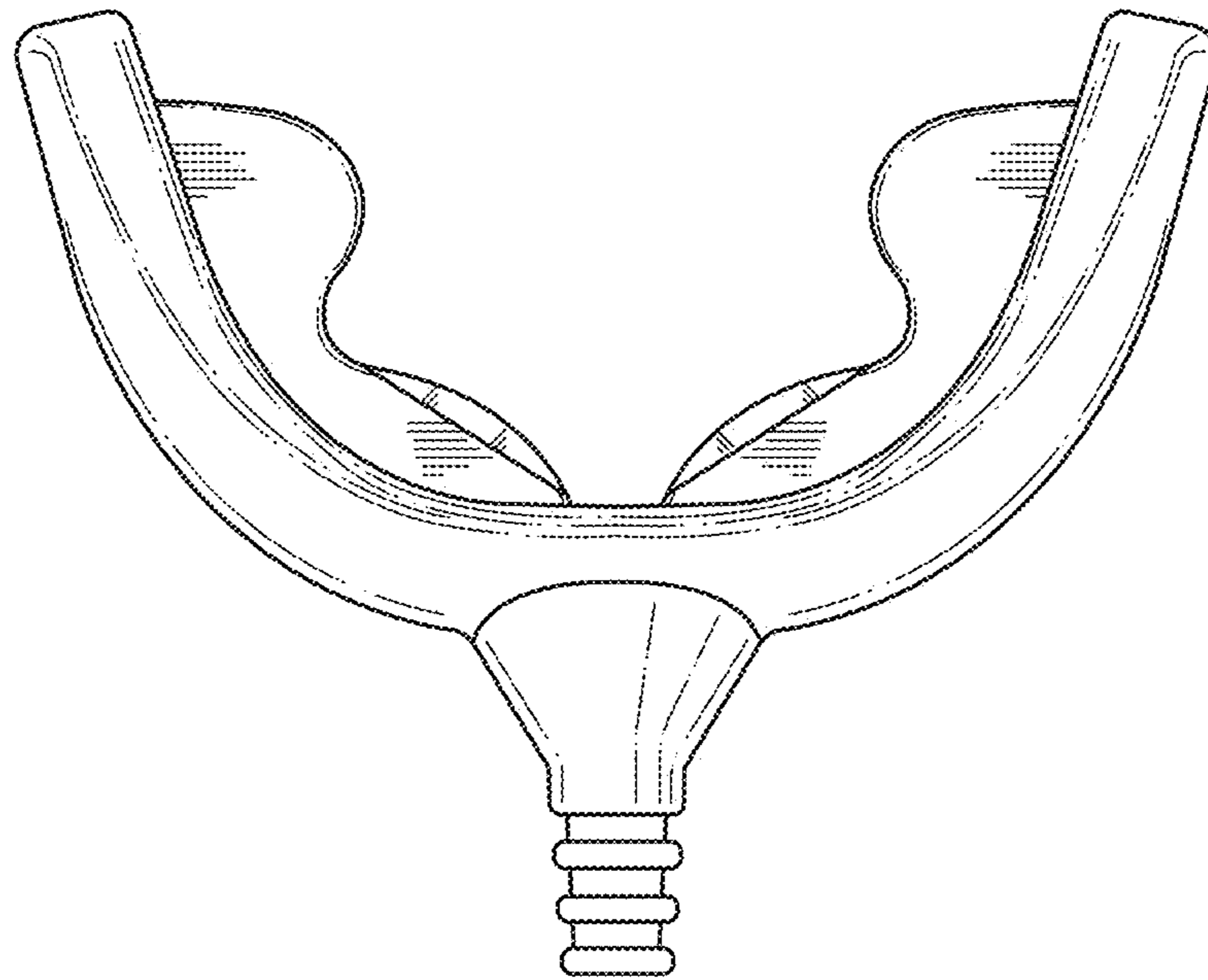


Fig. 8