



US00D877339S

(12) **United States Design Patent**
Xian et al.

(10) **Patent No.:** **US D877,339 S**
(45) **Date of Patent:** **** Mar. 3, 2020**

(54) **PULSE OXIMETRY**

(71) Applicant: **Shenzhen Jumper Medical Equipment Co., Ltd.**, Shenzhen, Guangdong (CN)

(72) Inventors: **Zhiping Xian**, Shenzhen (CN); **Yongjie Gao**, Shenzhen (CN); **Hui Yi**, Shenzhen (CN)

(73) Assignee: **Shenzhen Jumper Medical Equipment Co., Ltd.**, Guangdong, Shenzhen (CN)

(**) Term: **15 Years**

(21) Appl. No.: **29/667,068**

(22) Filed: **Oct. 18, 2018**

(30) **Foreign Application Priority Data**

May 30, 2018 (CN) 2018 3 0263732

(51) **LOC (12) Cl.** **24-02**

(52) **U.S. Cl.**
USPC **D24/165; D24/169**

(58) **Field of Classification Search**
USPC D24/107, 164, 165-169, 186, 187;
D10/75, 70, 98
CPC G01N 33/66; G01N 33/49; G01N 33/493;
A61B 5/0205; A61B 5/02427; A61B
5/02438; A61B 5/14552; A61B 5/6626;
A61B 5/6638
See application file for complete search history.

(56) **References Cited**

U.S. PATENT DOCUMENTS

5,792,052 A * 8/1998 Isaacson A61B 5/02427
600/323
D646,391 S * 10/2011 Ibuki D24/165

D670,388 S * 11/2012 Jin D24/165
D691,726 S * 10/2013 Jin D24/167
D830,557 S * 10/2018 Sebban D24/167
2010/0105996 A1 * 4/2010 Segman A61B 5/0205
600/322
2010/0317944 A1 * 12/2010 Wang A61B 5/14552
600/323

FOREIGN PATENT DOCUMENTS

GB 6064084 * 6/2019

* cited by examiner

Primary Examiner — Anhdao Doan

(74) *Attorney, Agent, or Firm* — Banner & Witcoff, Ltd.

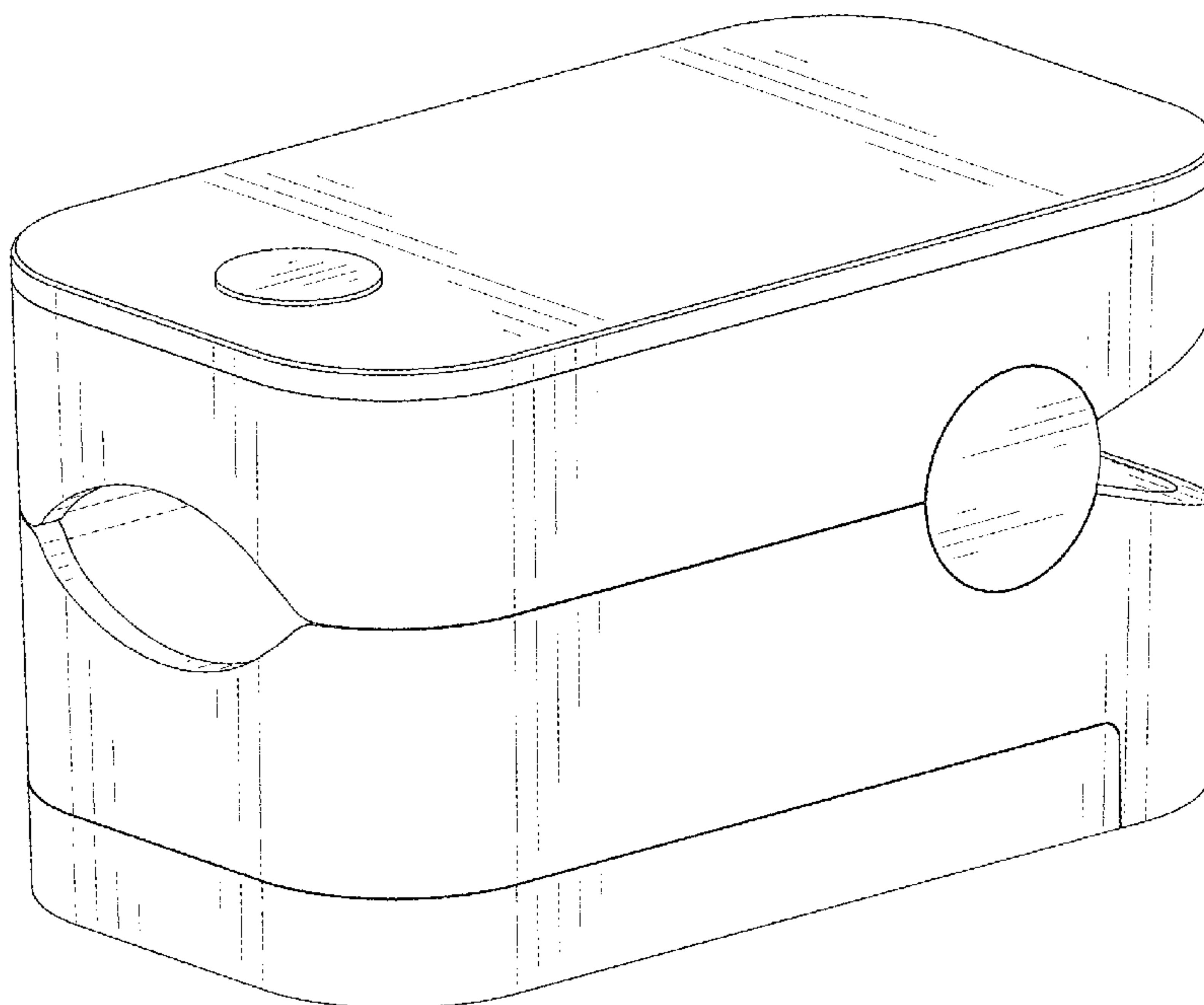
(57) **CLAIM**

The ornamental design for a pulse oximetry, as shown and described.

DESCRIPTION

FIG. 1 is a front elevational view of a pulse oximetry showing my new design;
FIG. 2 is a rear elevational view thereof;
FIG. 3 is a left side elevational view thereof;
FIG. 4 is a right side elevational view thereof;
FIG. 5 is a top plan view thereof; and
FIG. 6 is a bottom plan view thereof; and,
FIG. 7 is front, top, and left perspective view thereof.
The broken lines show portions of the pulse oximetry that form no part of the claimed design.

1 Claim, 7 Drawing Sheets



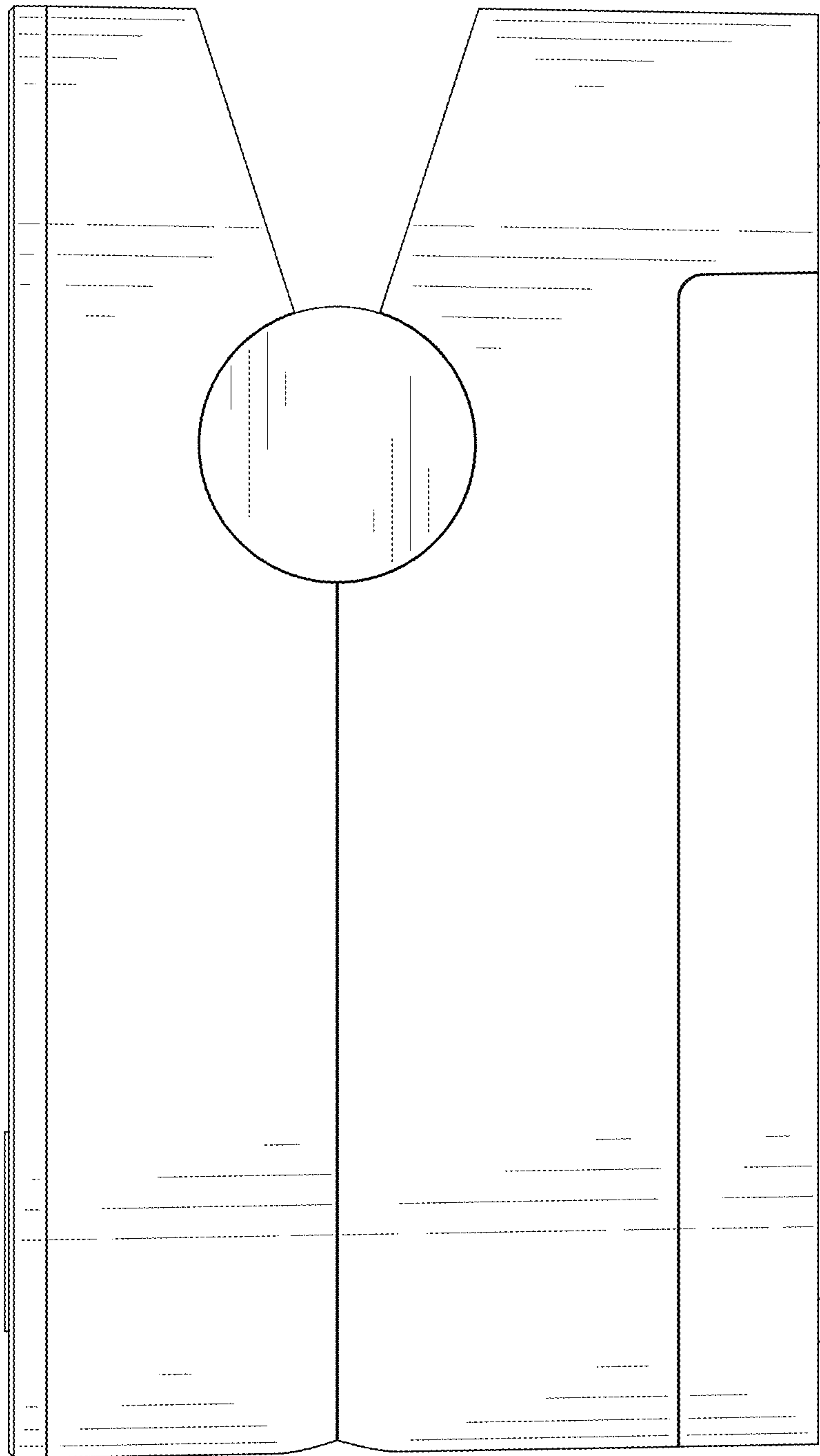


FIG. 1

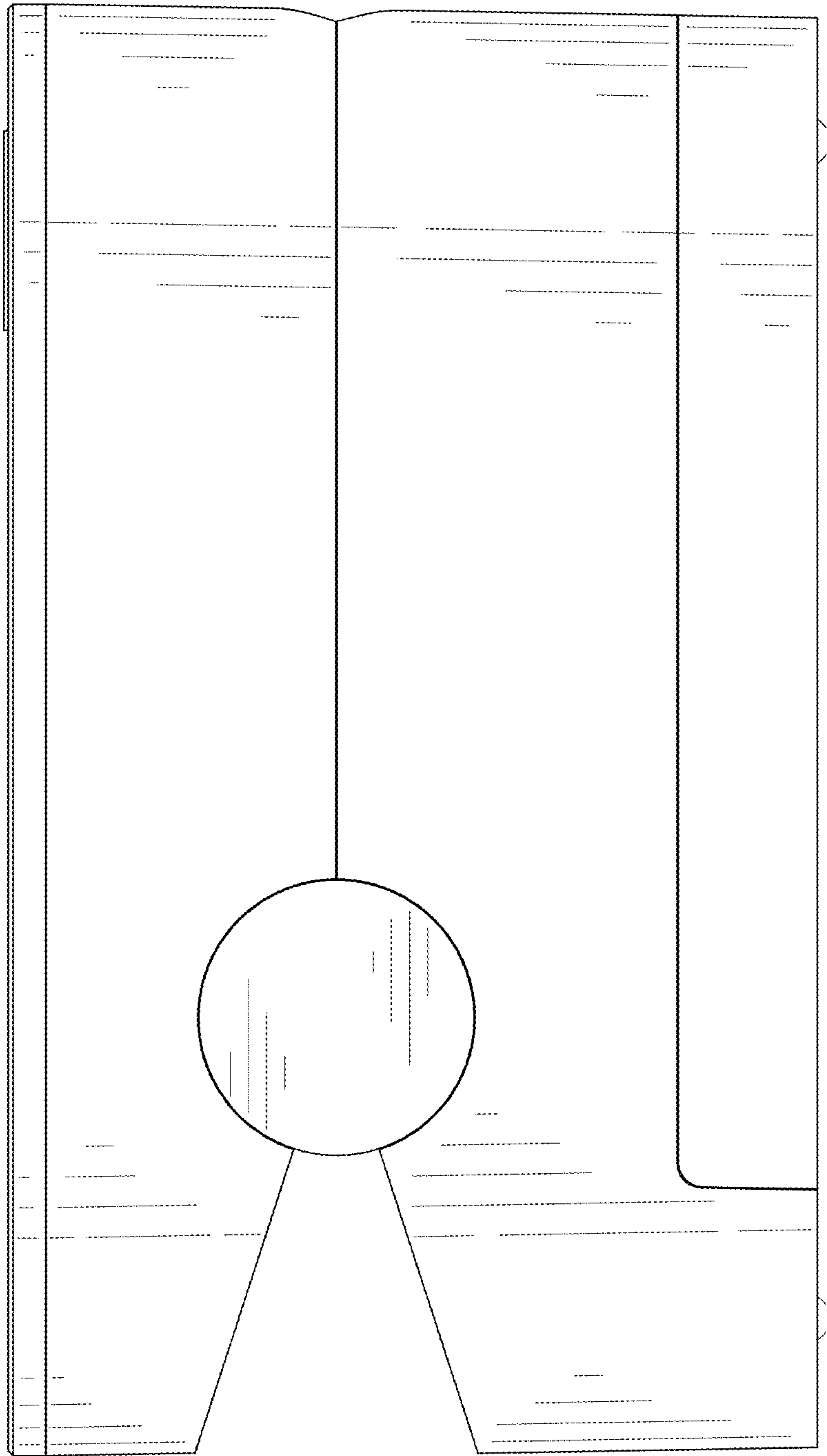


FIG. 2

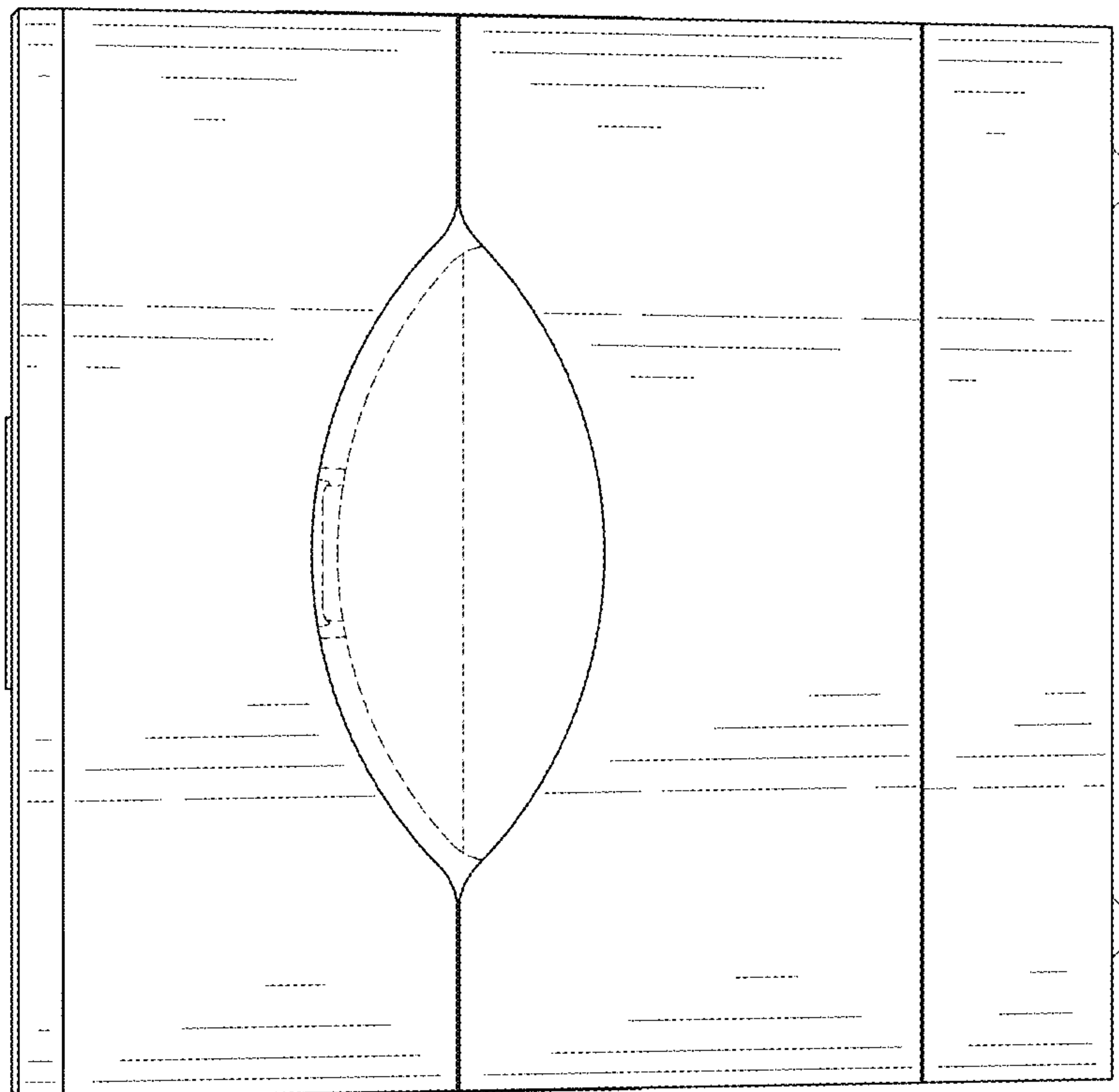


FIG. 3

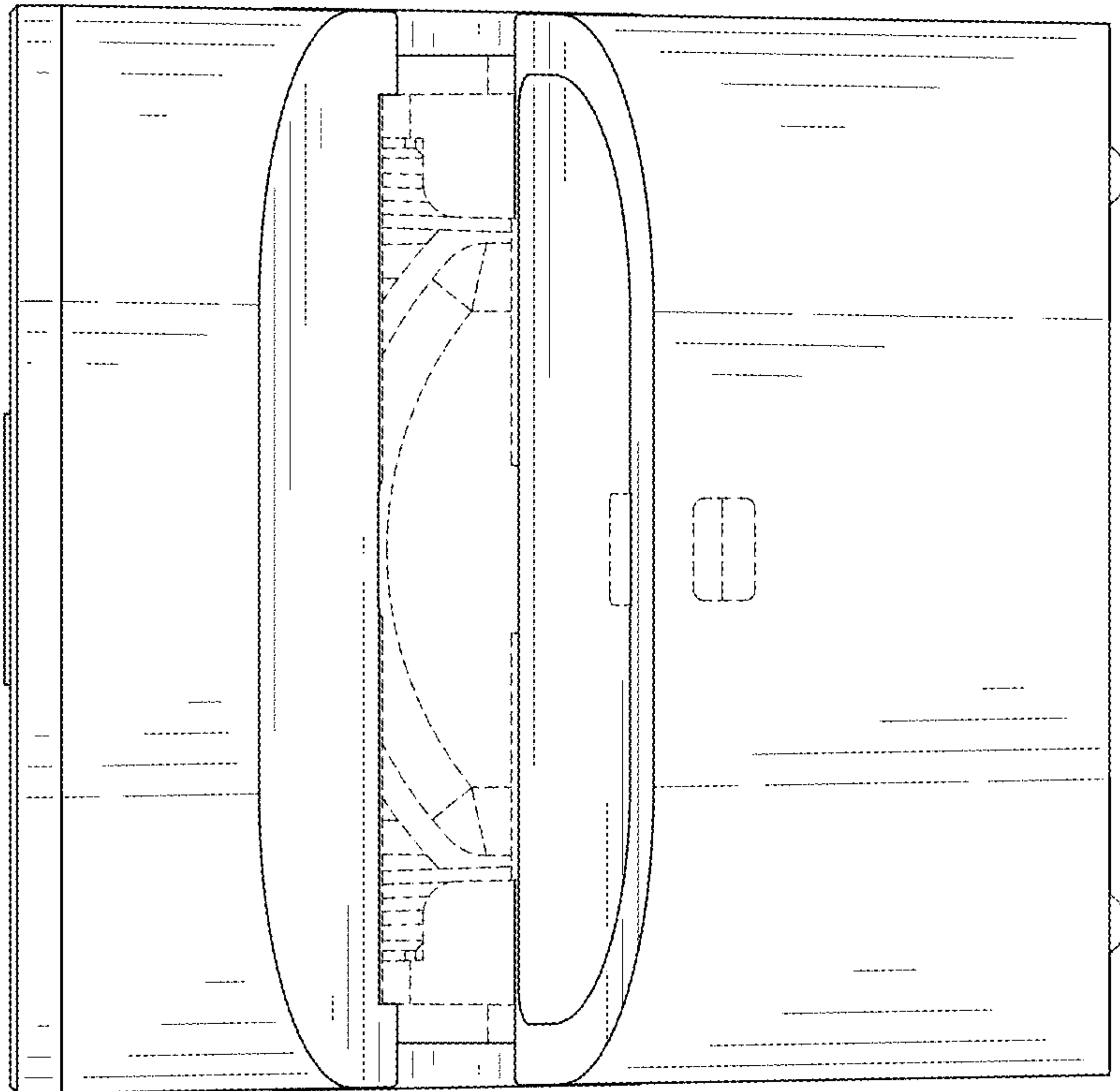


FIG. 4



FIG. 5

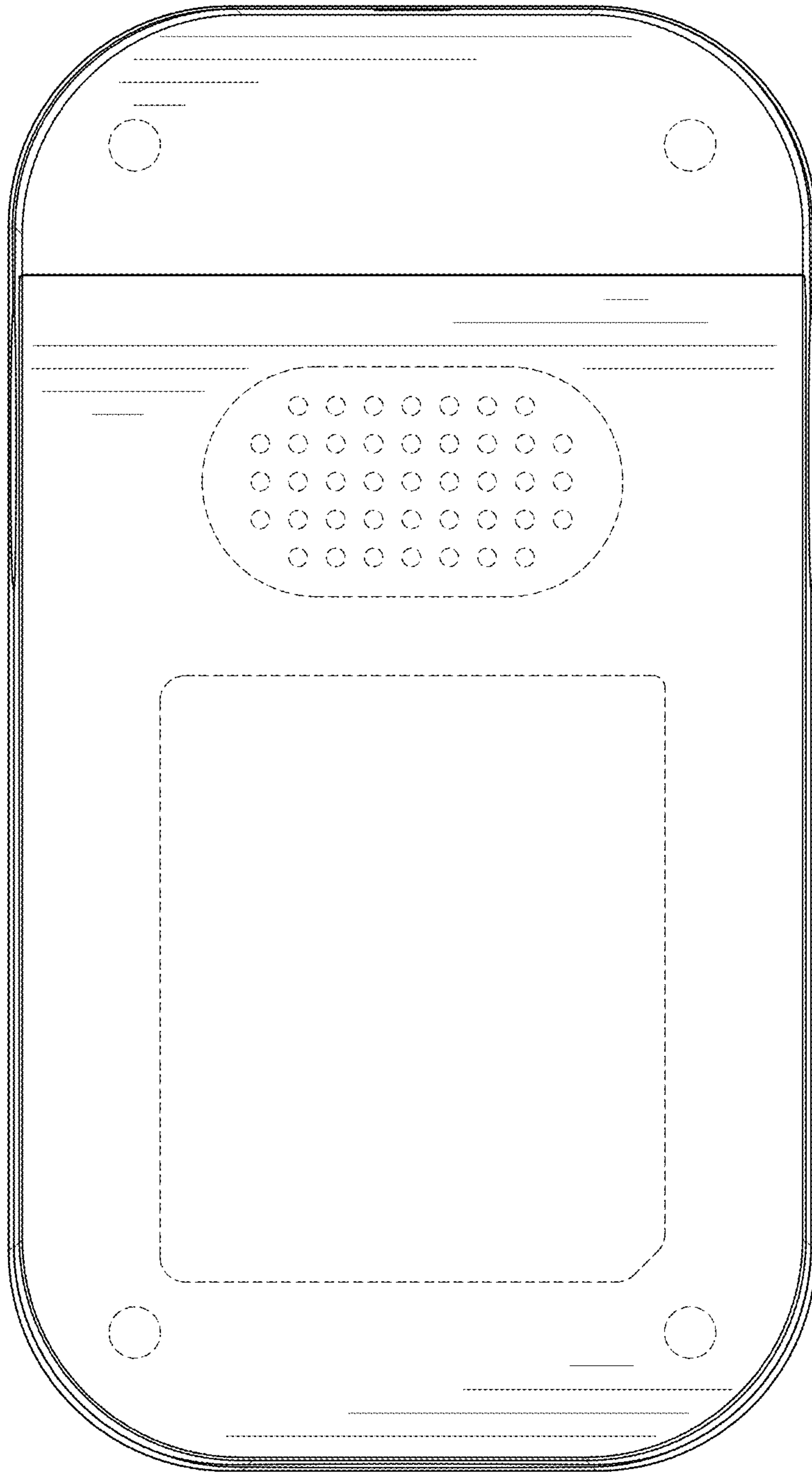


FIG. 6

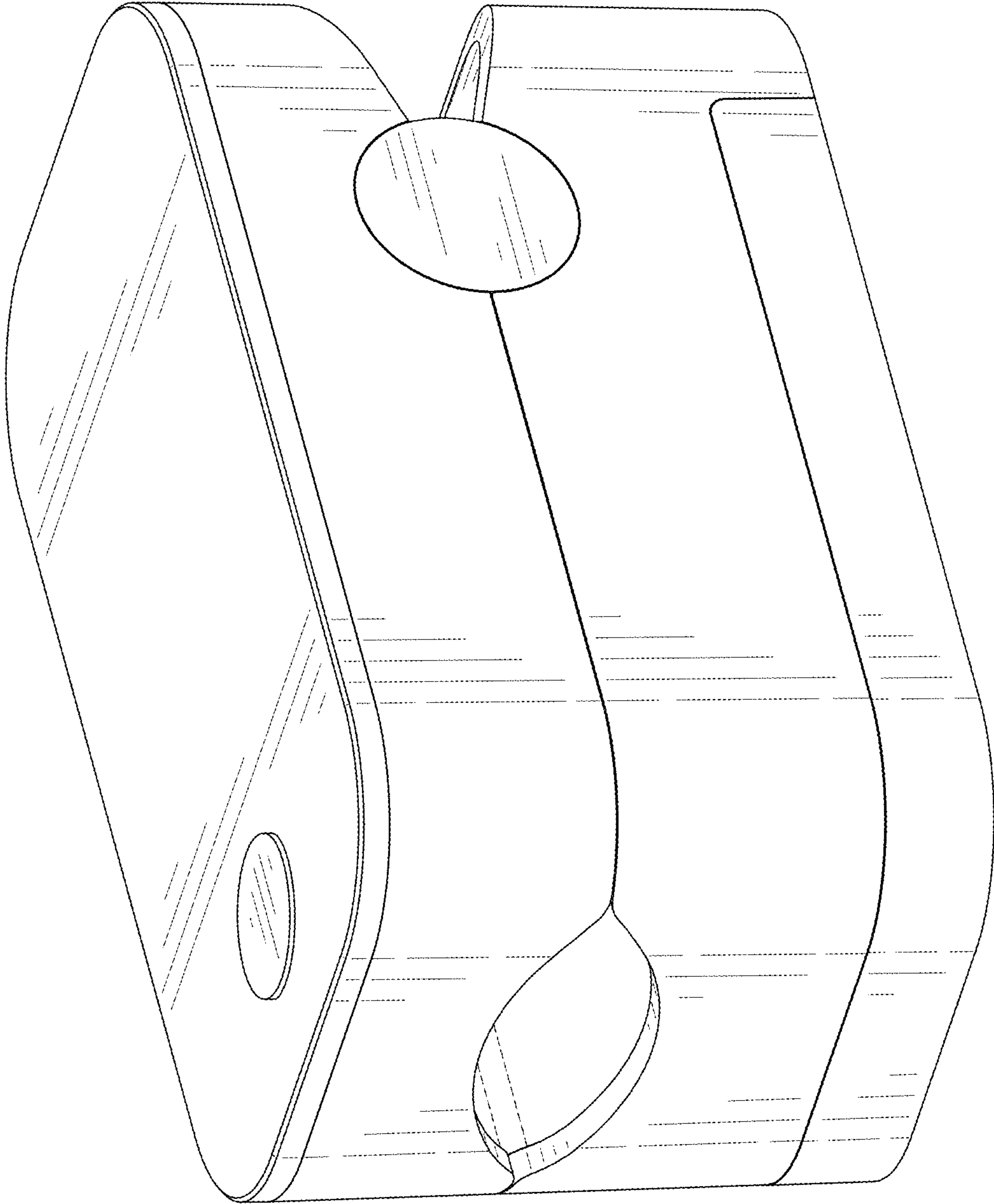


FIG. 7