



US00D877335S

(12) **United States Design Patent** (10) **Patent No.:** **US D877,335 S**
Moreeuw (45) **Date of Patent:** **** Mar. 3, 2020**

(54) **PAIR OF PROSTHESES**

(71) Applicant: **WANDERCRAFT**, Orsay (FR)
(72) Inventor: **David Moreeuw**, Ploemeur (FR)
(73) Assignee: **Wandercraft**, Orsay (FR)
(**) Term: **15 Years**

(21) Appl. No.: **35/505,048**

(22) Filed: **Mar. 27, 2018**

(80) **Hague Agreement Data**

Int. Filing Date: **Mar. 27, 2018**
Int. Reg. No.: **DM/101348**
Int. Reg. Date: **Mar. 27, 2018**
Int. Reg. Pub. Date: **Jun. 8, 2018**

(30) **Foreign Application Priority Data**

Sep. 27, 2017 (EM) 004374262-0002

(51) **LOC (12) Cl.** **24-03**

(52) **U.S. Cl.**
USPC **D24/155**

(58) **Field of Classification Search**
USPC D24/155; D15/199; D21/578, 585, 621,
D21/622

CPC A61F 2/60; A61F 2002/607; A61F 2/6607
See application file for complete search history.

(56) **References Cited**

U.S. PATENT DOCUMENTS

4,938,775 A * 7/1990 Morgan A61F 2/60
623/27
D632,790 S * 2/2011 Cheng D24/155
D749,227 S * 2/2016 Takama D15/199
D835,214 S * 12/2018 Xiong D21/578
D841,708 S * 2/2019 Koshiishi D15/199
D841,709 S * 2/2019 Koshiishi D15/199

* cited by examiner

Primary Examiner — Eliza Z Bennett-Hattan

(74) *Attorney, Agent, or Firm* — Mandelbaum Silfin
Economou LLP

(57) **CLAIM**

The ornamental design for a pair of prostheses, as shown and described.

DESCRIPTION

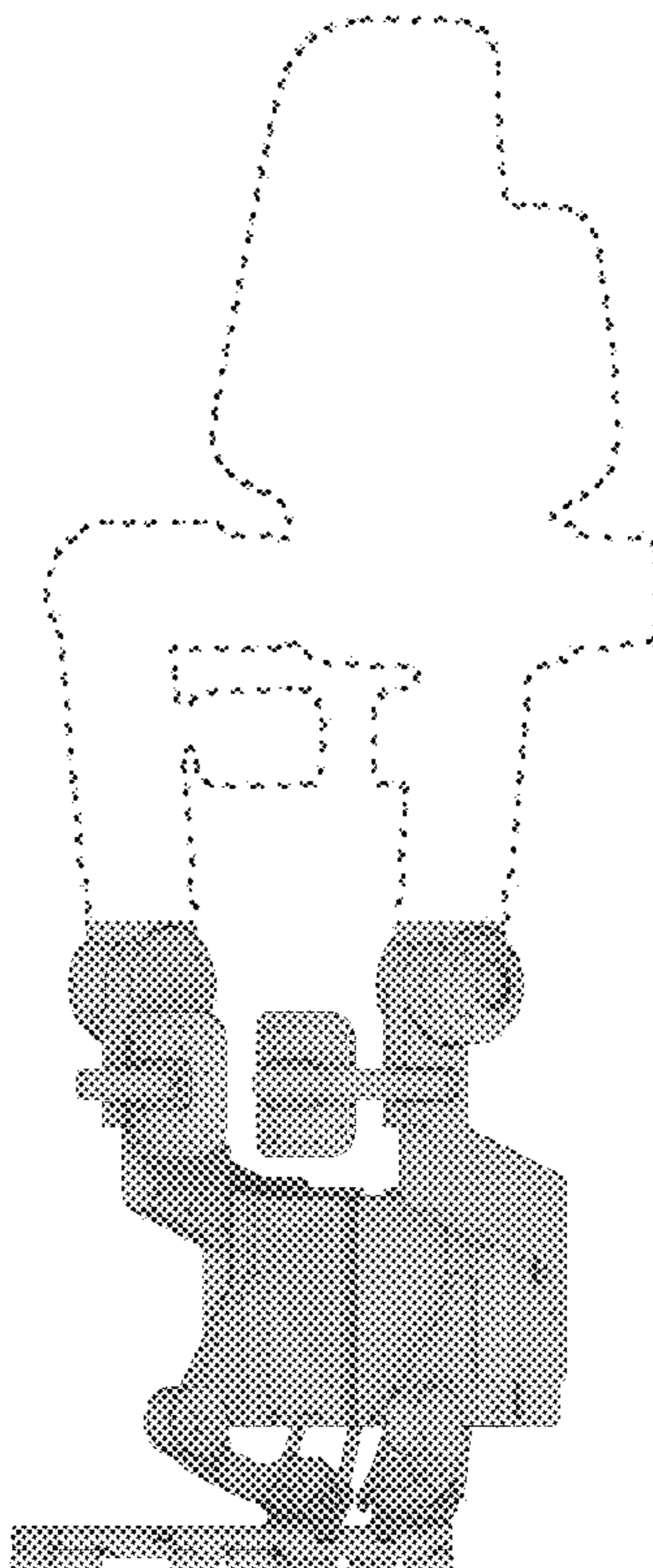
The patent or application file contains at least one drawing executed in color. Copies of this patent or patent application publication with color drawing(s) will be provided by the Office upon request and payment of the necessary fee.

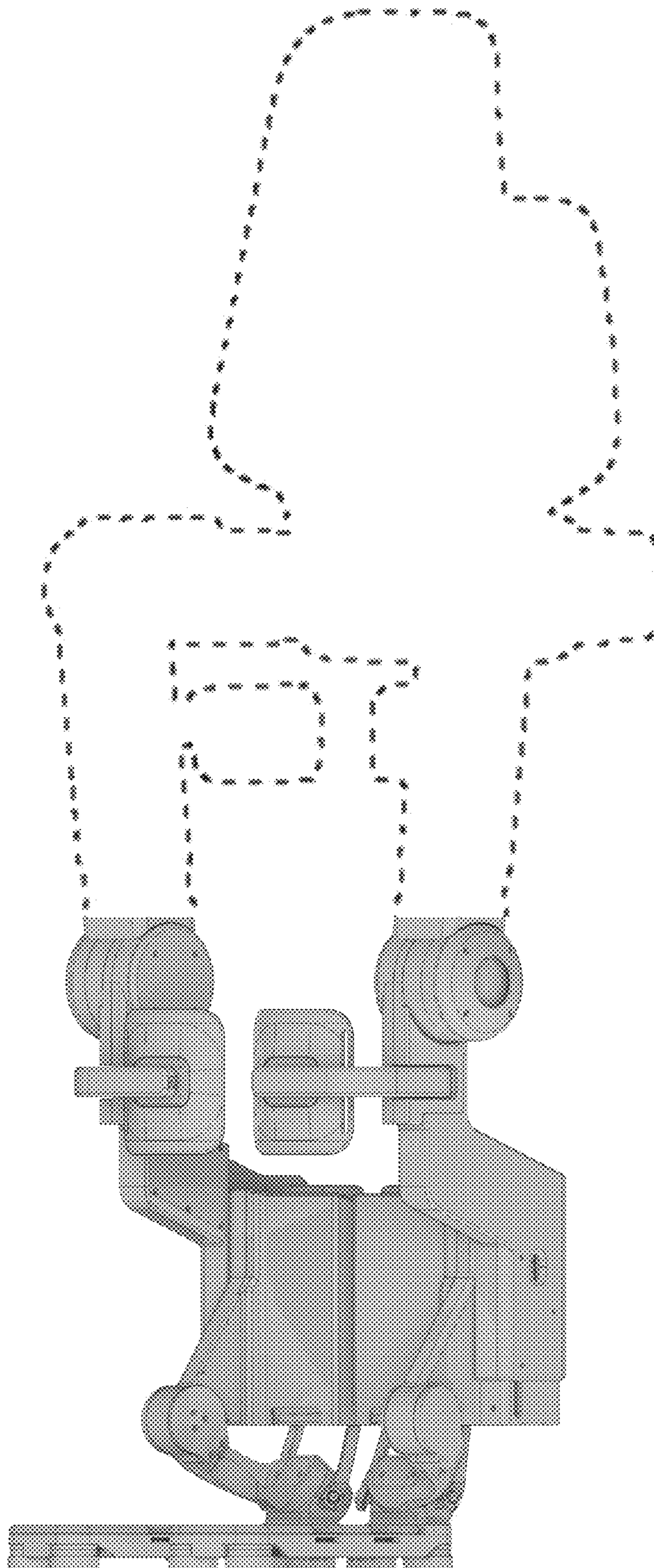
1. Pair of prostheses

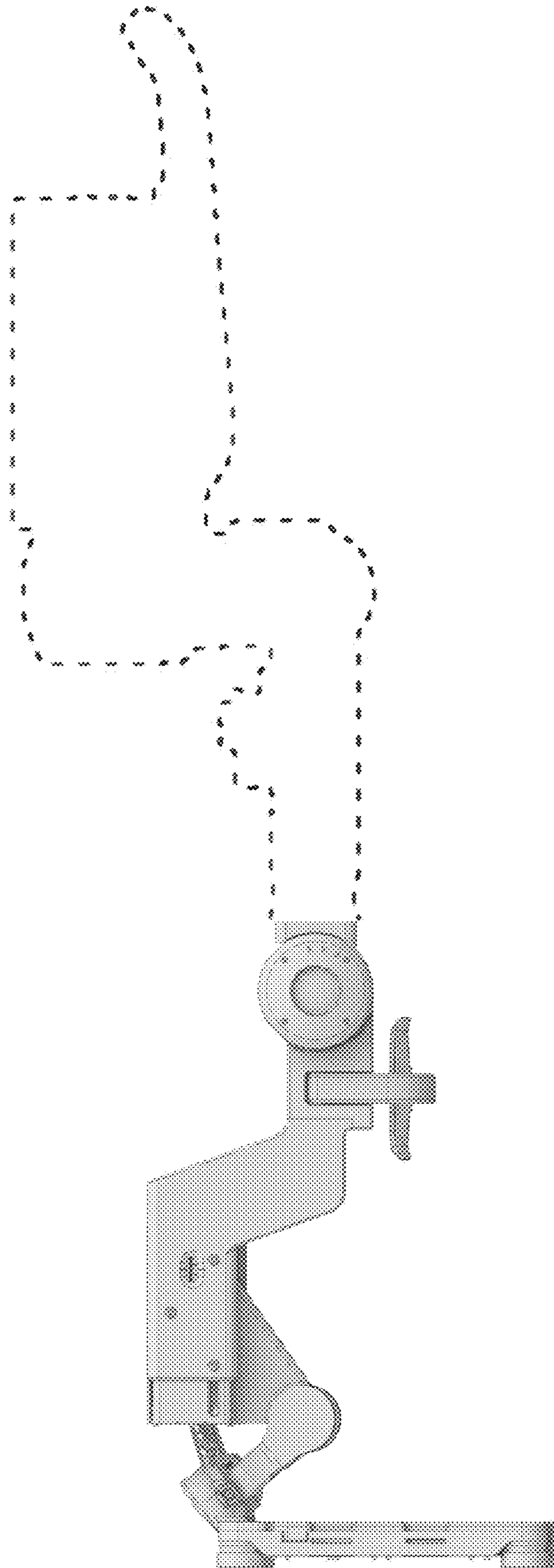
1.1 Three-quarter view; **1.2** side view; **1.3** top view; **1.4** rear view; **1.5** front view; **1.6** perspective top view; **1.7** bottom view.

The portions of the “pair of prostheses” shown by coloring form no part of the claimed design.

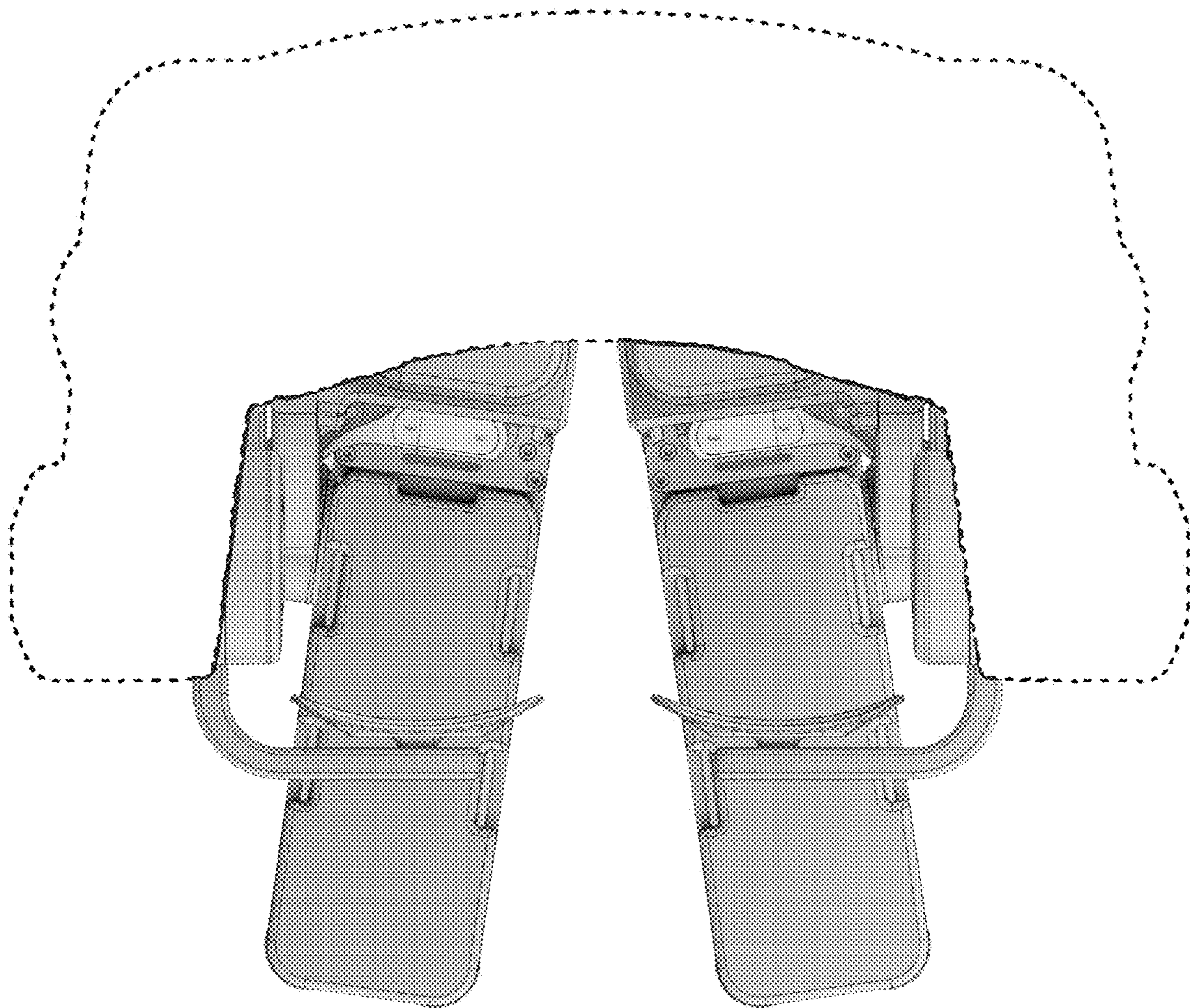
1 Claim, 7 Drawing Sheets
(7 of 7 Drawing Sheet(s) Filed in Color)



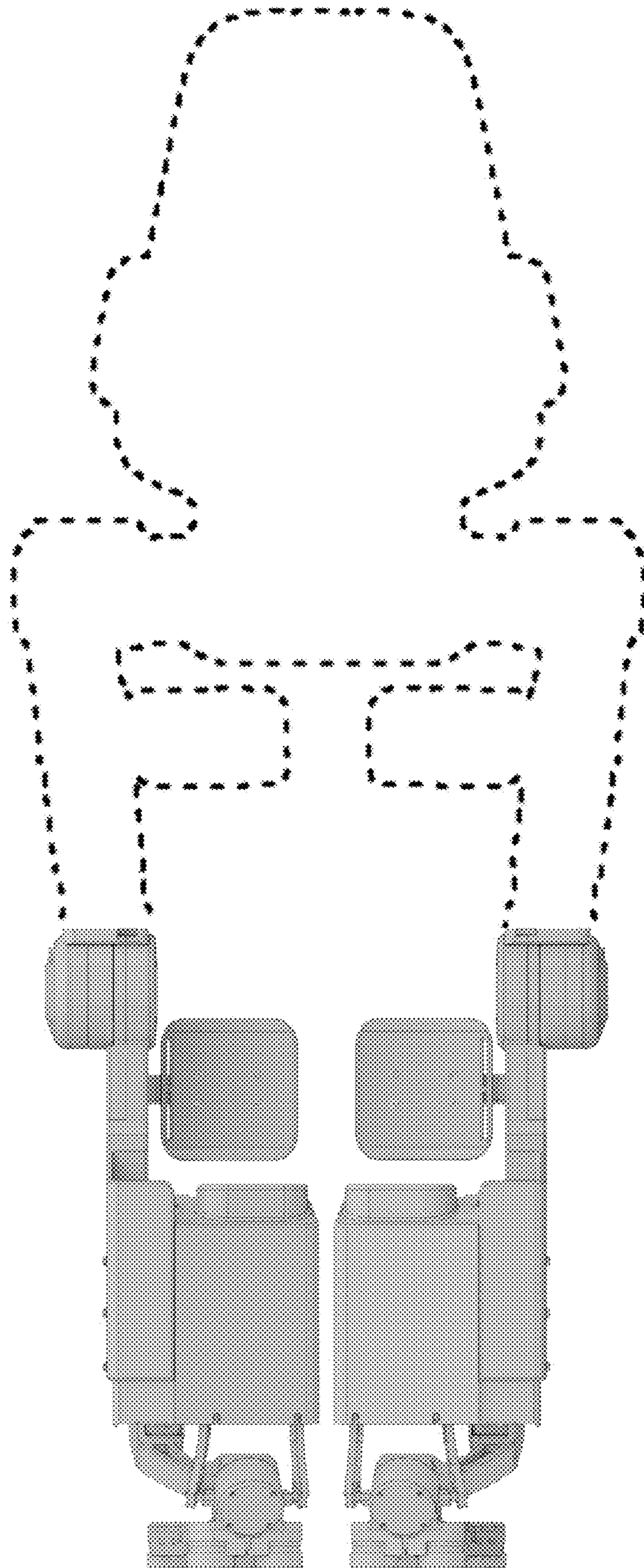




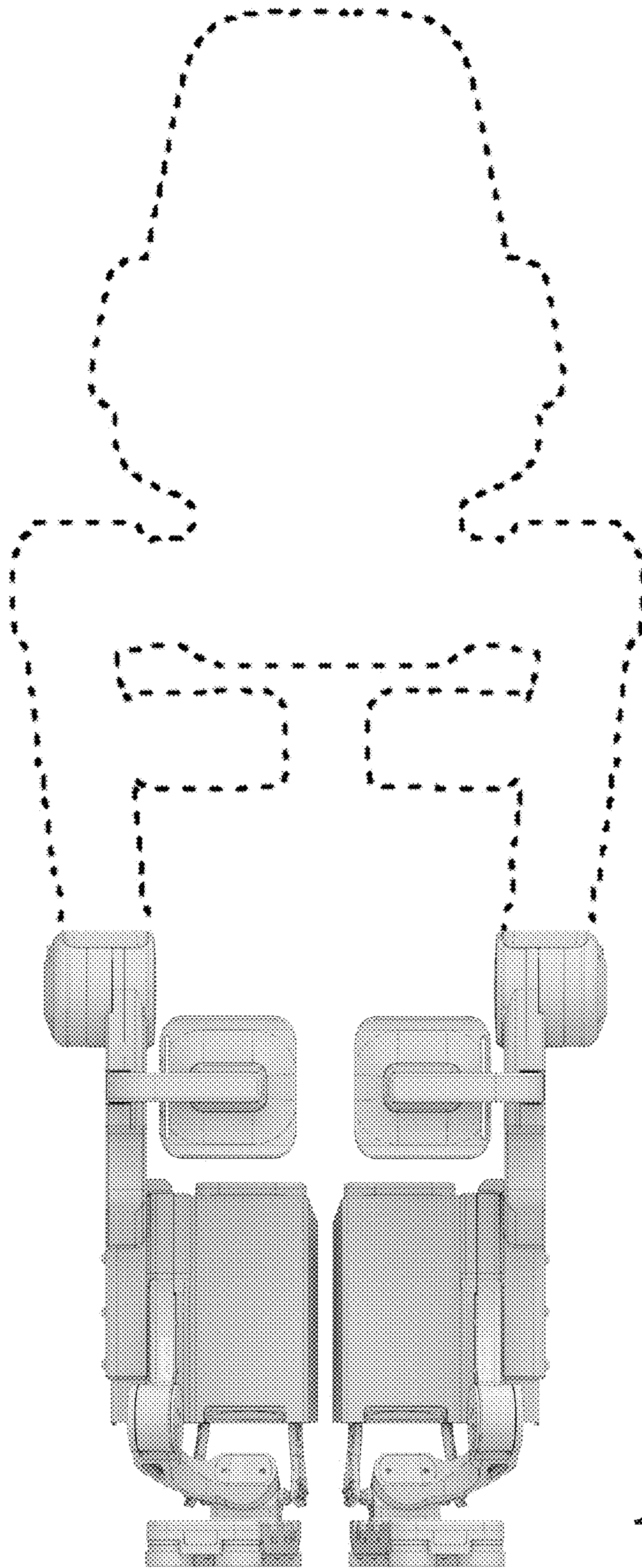
1.2



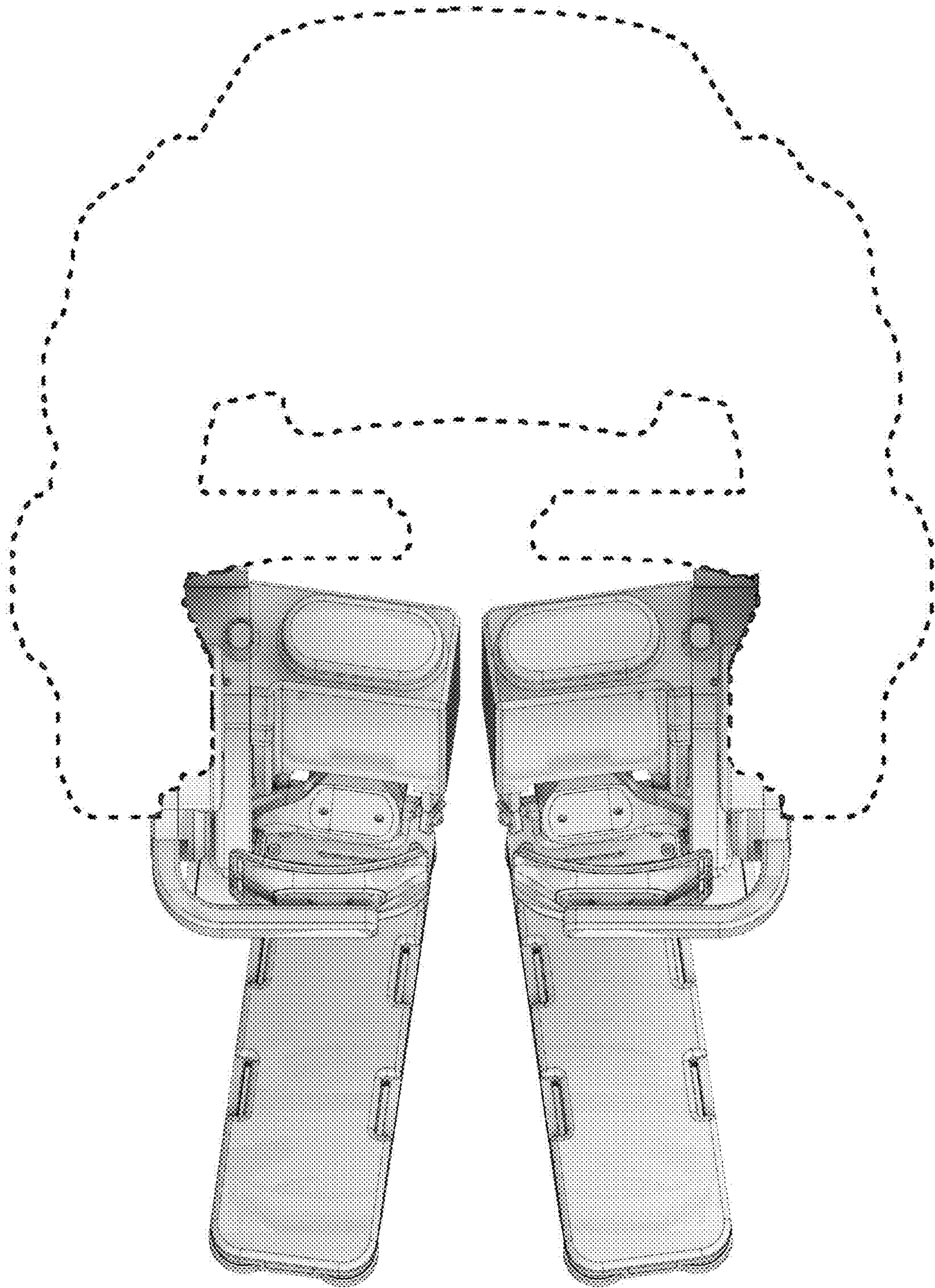
1.3



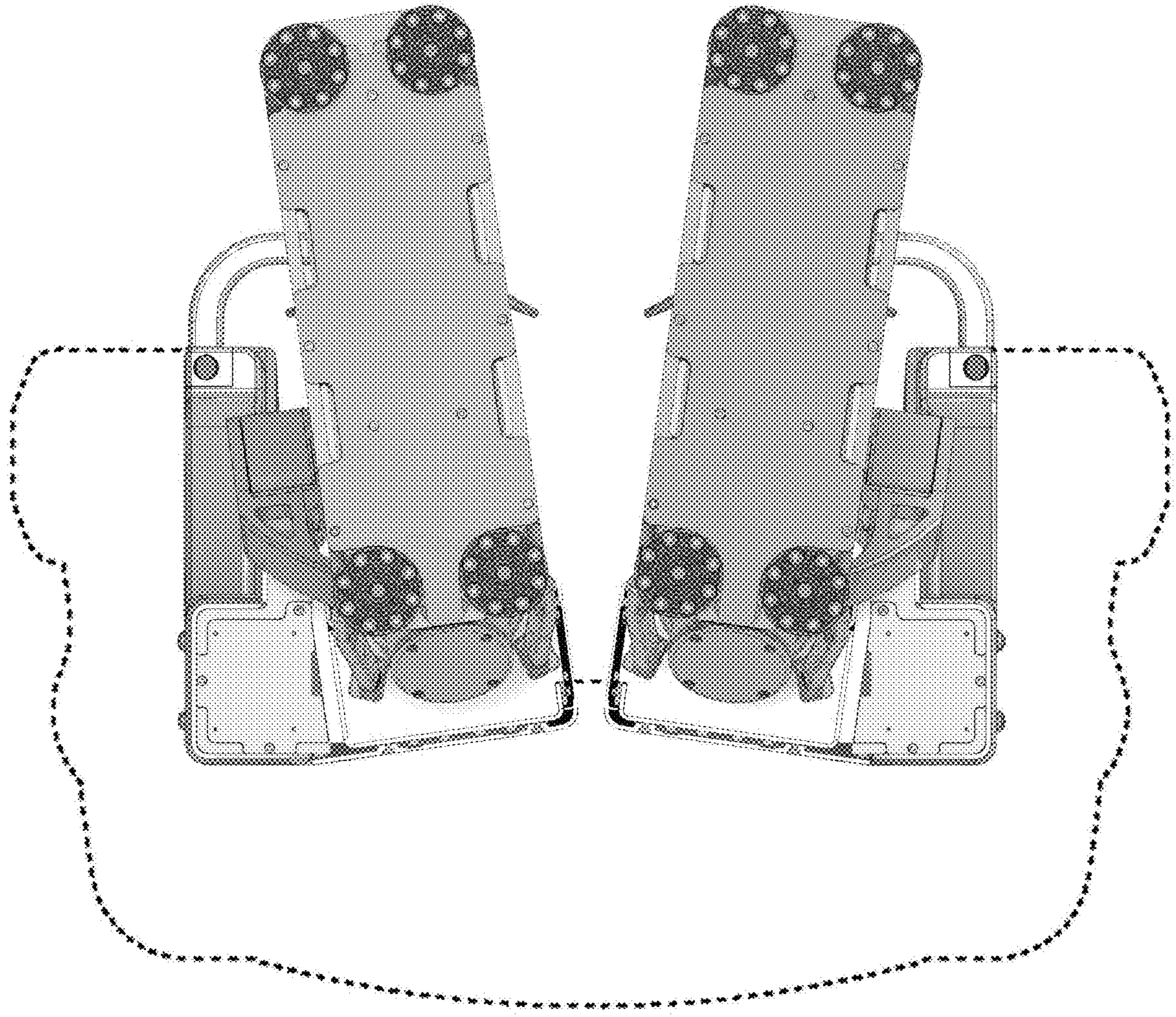
1.4



1.5



1.6



1.7