



US00D877334S

(12) **United States Design Patent**
Nohara

(10) **Patent No.:** **US D877,334 S**
(45) **Date of Patent:** **** Mar. 3, 2020**

(54) **INDUSTRIAL ENDOSCOPE**
(71) Applicant: **OLYMPUS CORPORATION**, Tokyo
(JP)
(72) Inventor: **Takeshi Nohara**, Hachioji (JP)
(73) Assignee: **OLYMPUS CORPORATION**, Tokyo
(JP)

D705,424 S * 5/2014 Yarbrough D24/144
D723,684 S * 3/2015 Funakoshi D24/138
D755,379 S * 5/2016 Amano D24/138
D762,853 S * 8/2016 Amano D24/138
D780,917 S * 3/2017 Meguro D24/138
D782,673 S * 3/2017 Meguro D24/138
D803,387 S * 11/2017 Bodwell D24/108
2013/0079594 A1 * 3/2013 Motoki A61B 1/00039
600/109

(**) Term: **15 Years**
(21) Appl. No.: **29/649,271**
(22) Filed: **May 29, 2018**

* cited by examiner

Primary Examiner — Eliza Z Bennett-Hattan
(74) *Attorney, Agent, or Firm* — Scully, Scott, Murphy & Presser, P.C.

(30) **Foreign Application Priority Data**
Nov. 29, 2017 (JP) 2017-026517
(51) **LOC (12) Cl.** **24-02**
(52) **U.S. Cl.**
USPC **D24/138**
(58) **Field of Classification Search**
USPC D24/138, 137, 147, 144, 108, 113, 127,
D24/133; D14/203.1
CPC G02B 23/2476; G02B 23/26; G02B
23/2484; G02B 23/2492; G02B 23/16;
G02B 23/243; G02B 7/023
See application file for complete search history.

(57) **CLAIM**

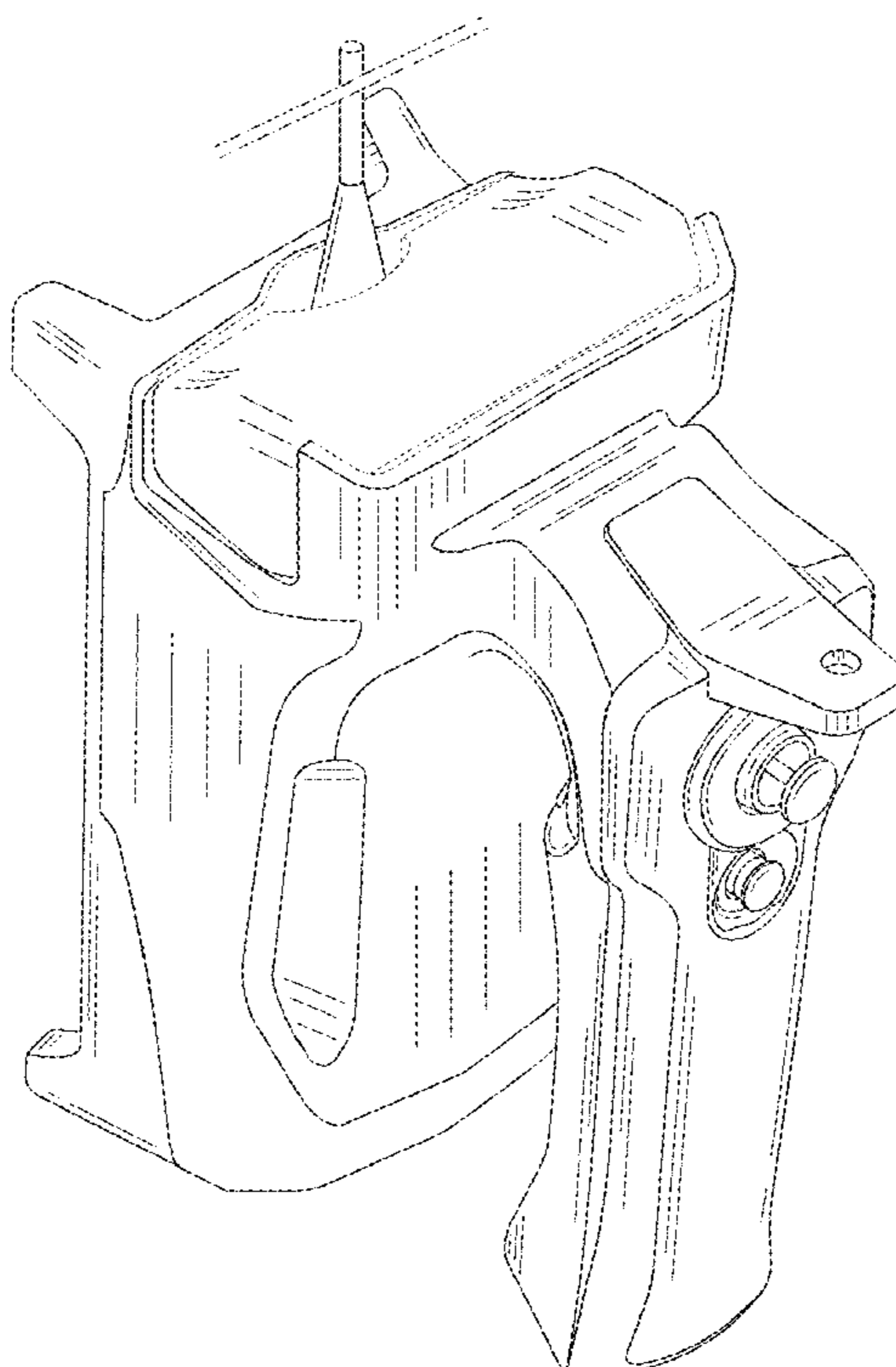
The ornamental design for an industrial endoscope, as shown and described.

DESCRIPTION

FIG. 1 is a perspective view of an industrial endoscope showing my new design;
FIG. 2 is a front view thereof;
FIG. 3 is a rear view thereof;
FIG. 4 is a top view thereof;
FIG. 5 is a bottom view thereof;
FIG. 6 is a right side view thereof; and,
FIG. 7 is a left side view thereof.
The appearance of the industrial endoscope shown between the dot-dash break lines forms no part of the claimed design.

(56) **References Cited**
U.S. PATENT DOCUMENTS
D599,017 S * 8/2009 Urushihata D24/138
D601,699 S * 10/2009 Urushihata D24/138

1 Claim, 7 Drawing Sheets



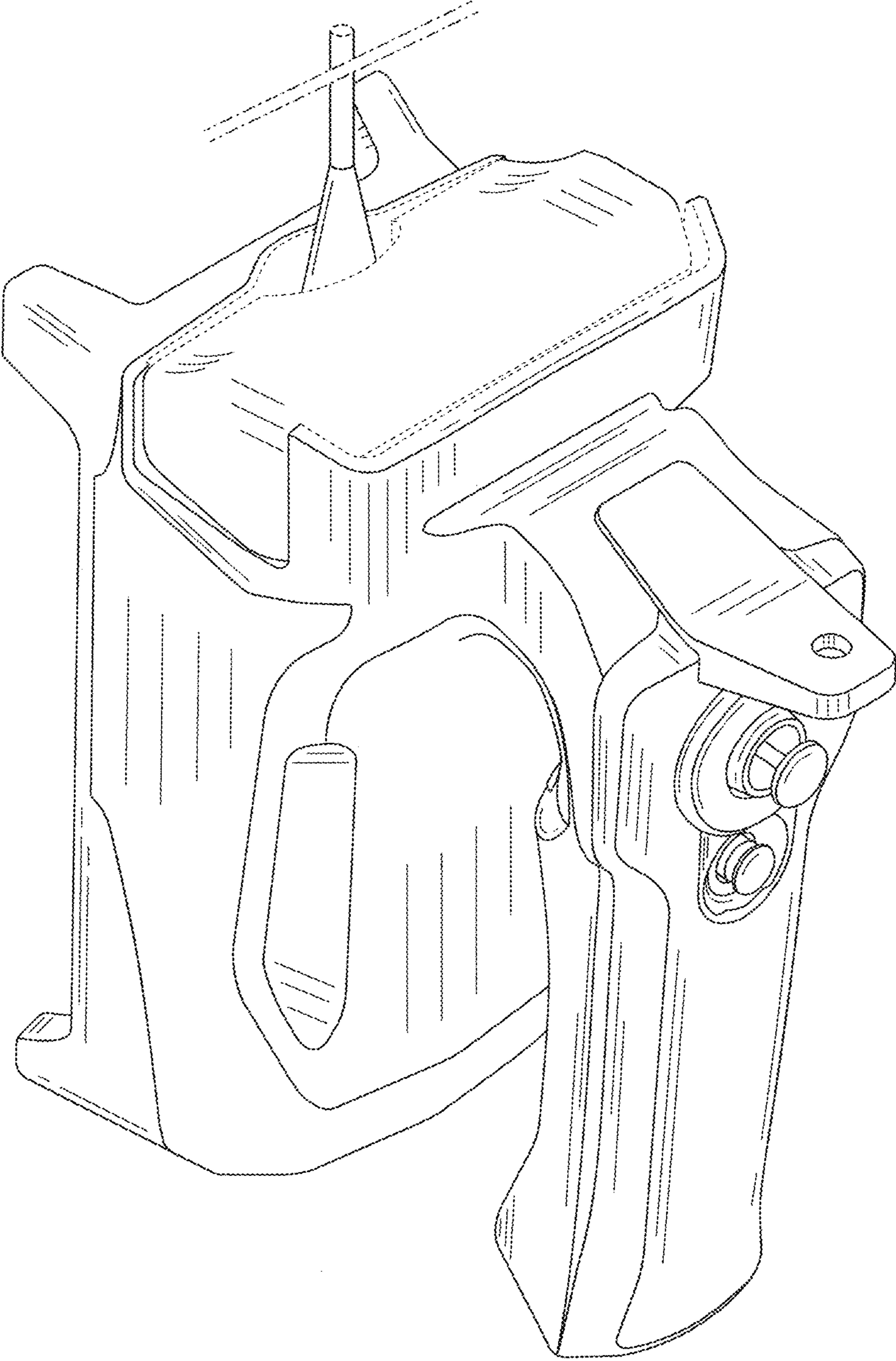


Fig. 1

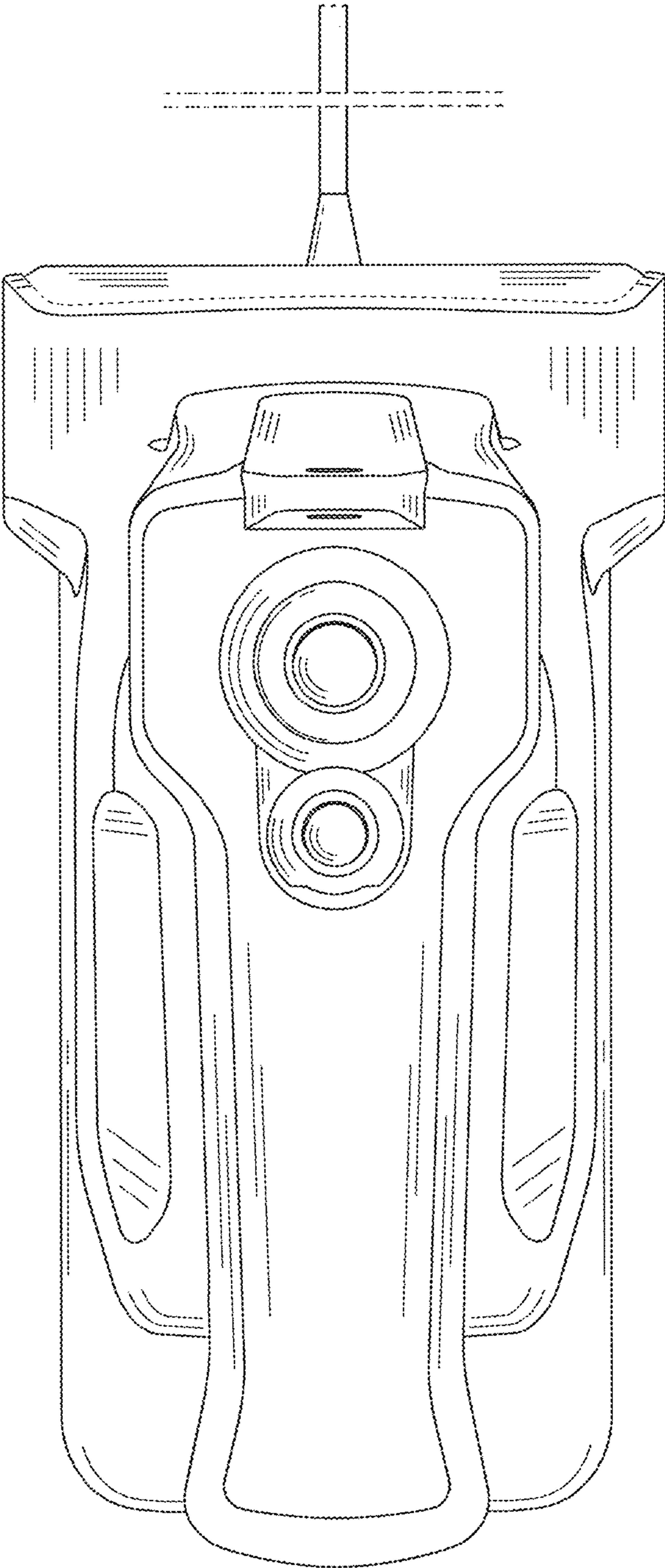


Fig. 2

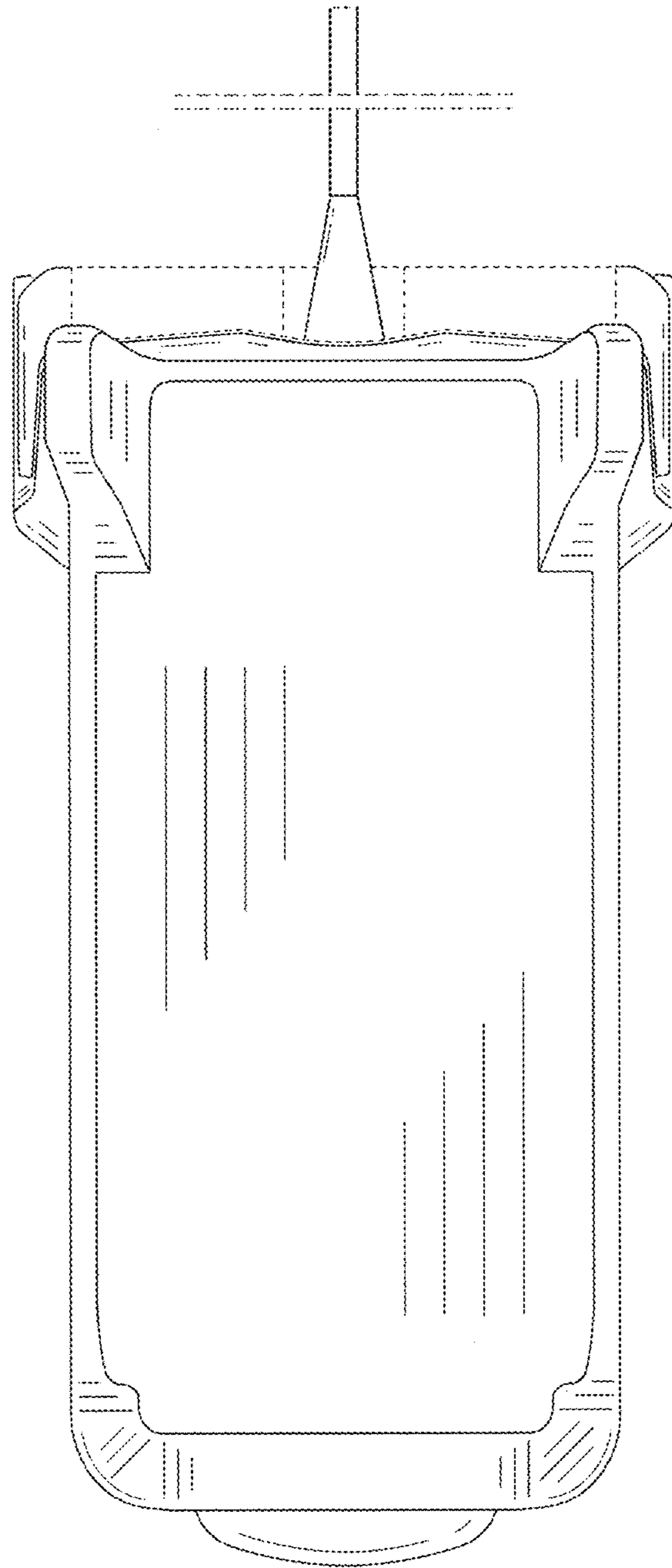


Fig. 3

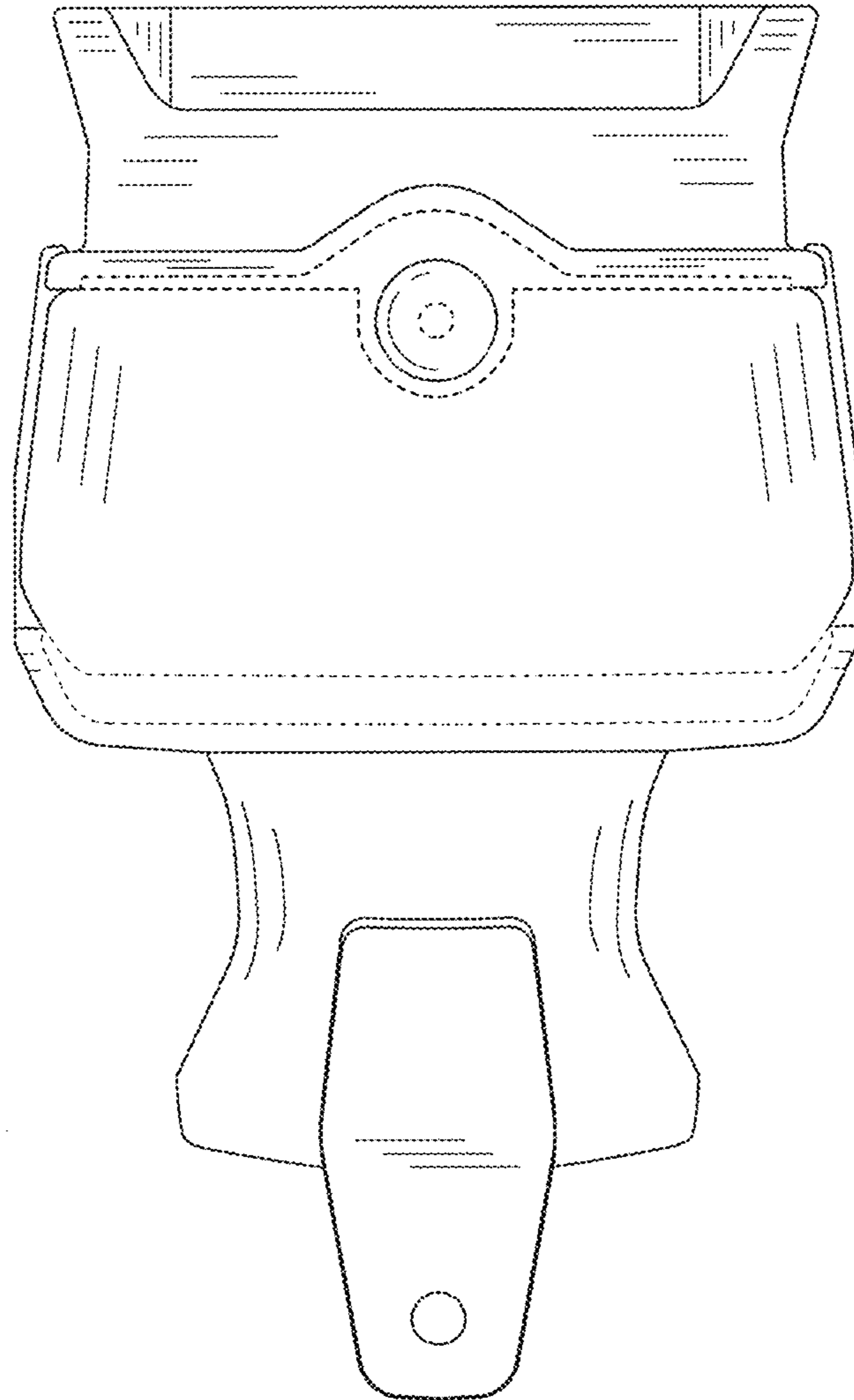


Fig. 4

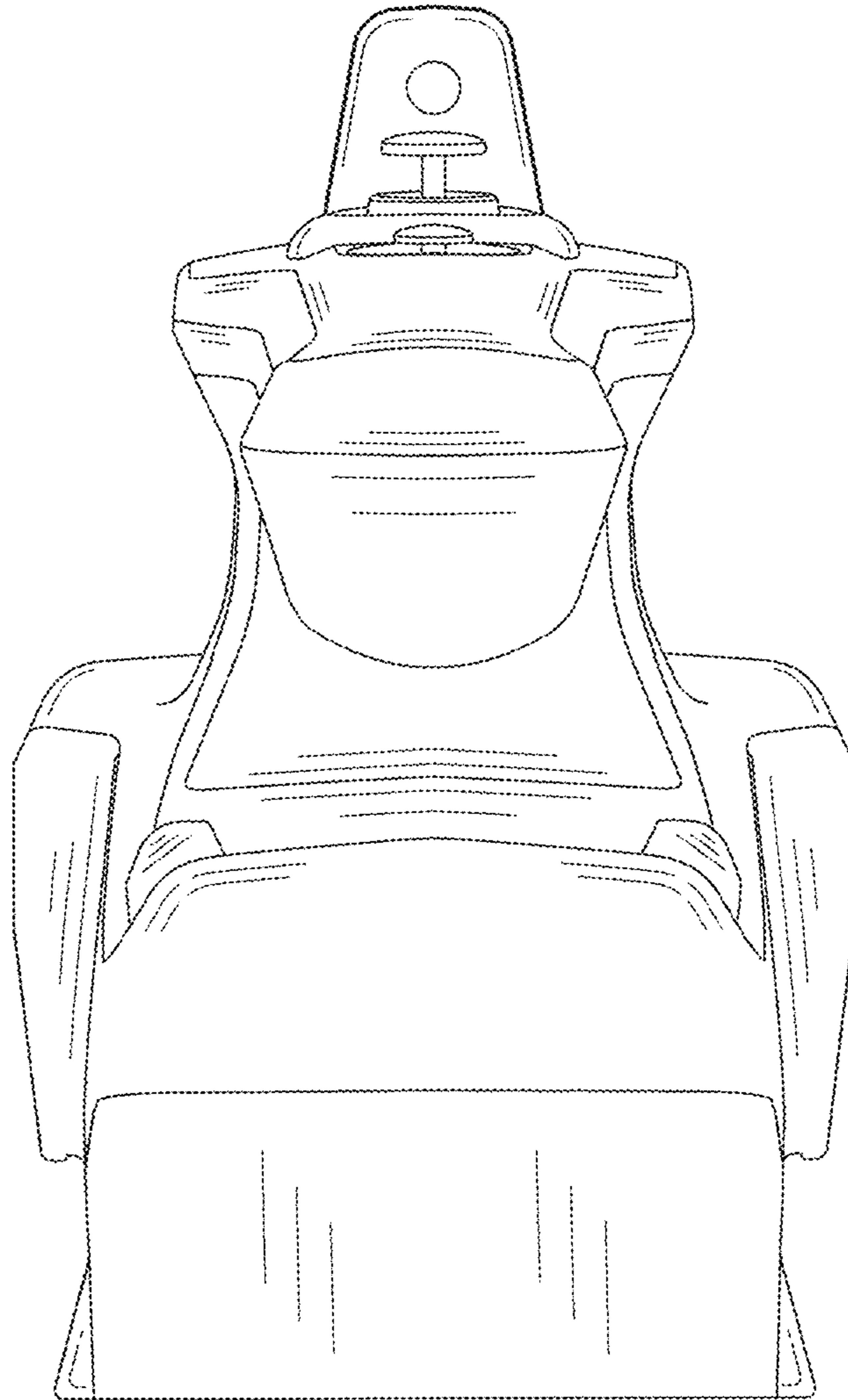


Fig. 5

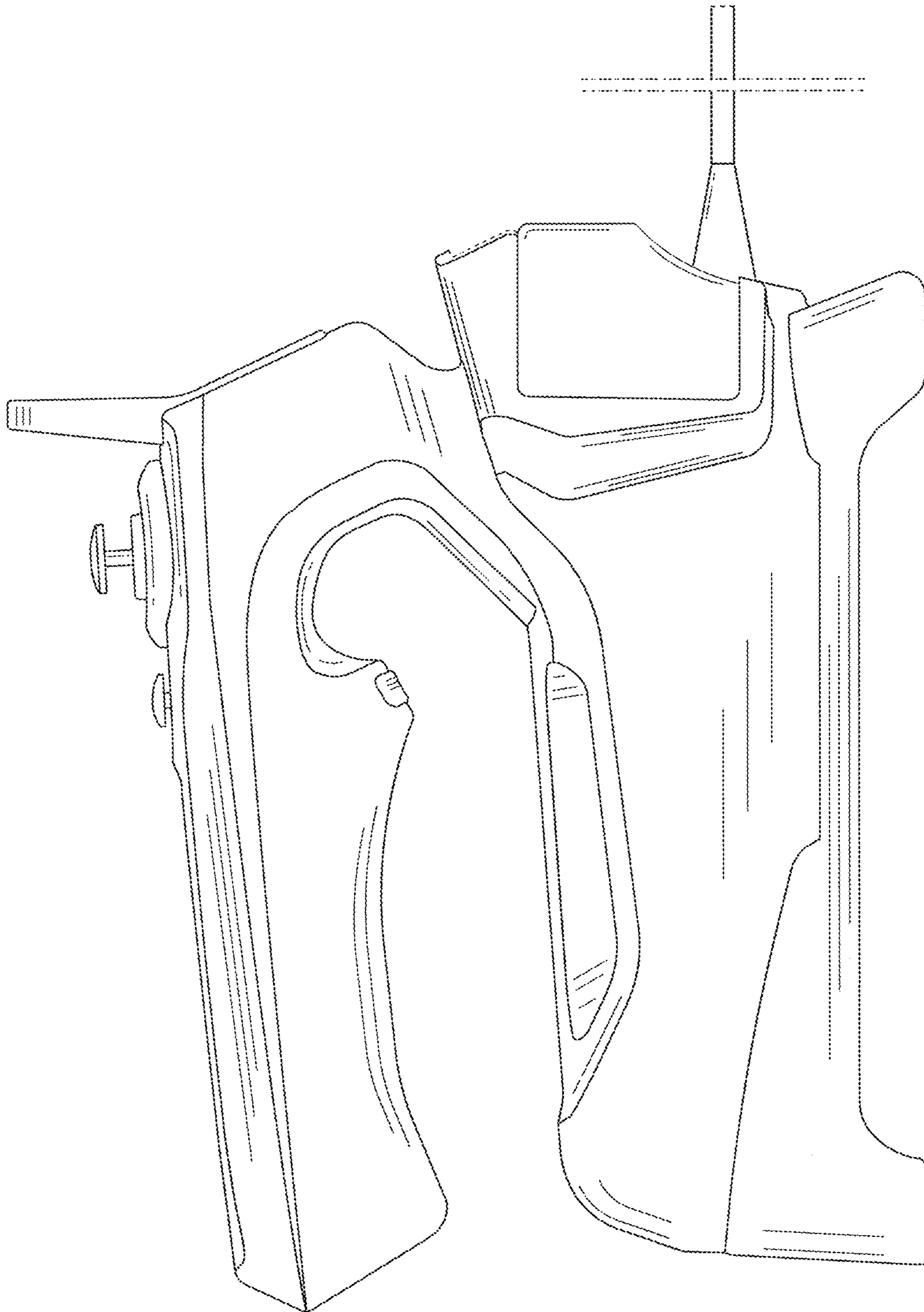


Fig. 6

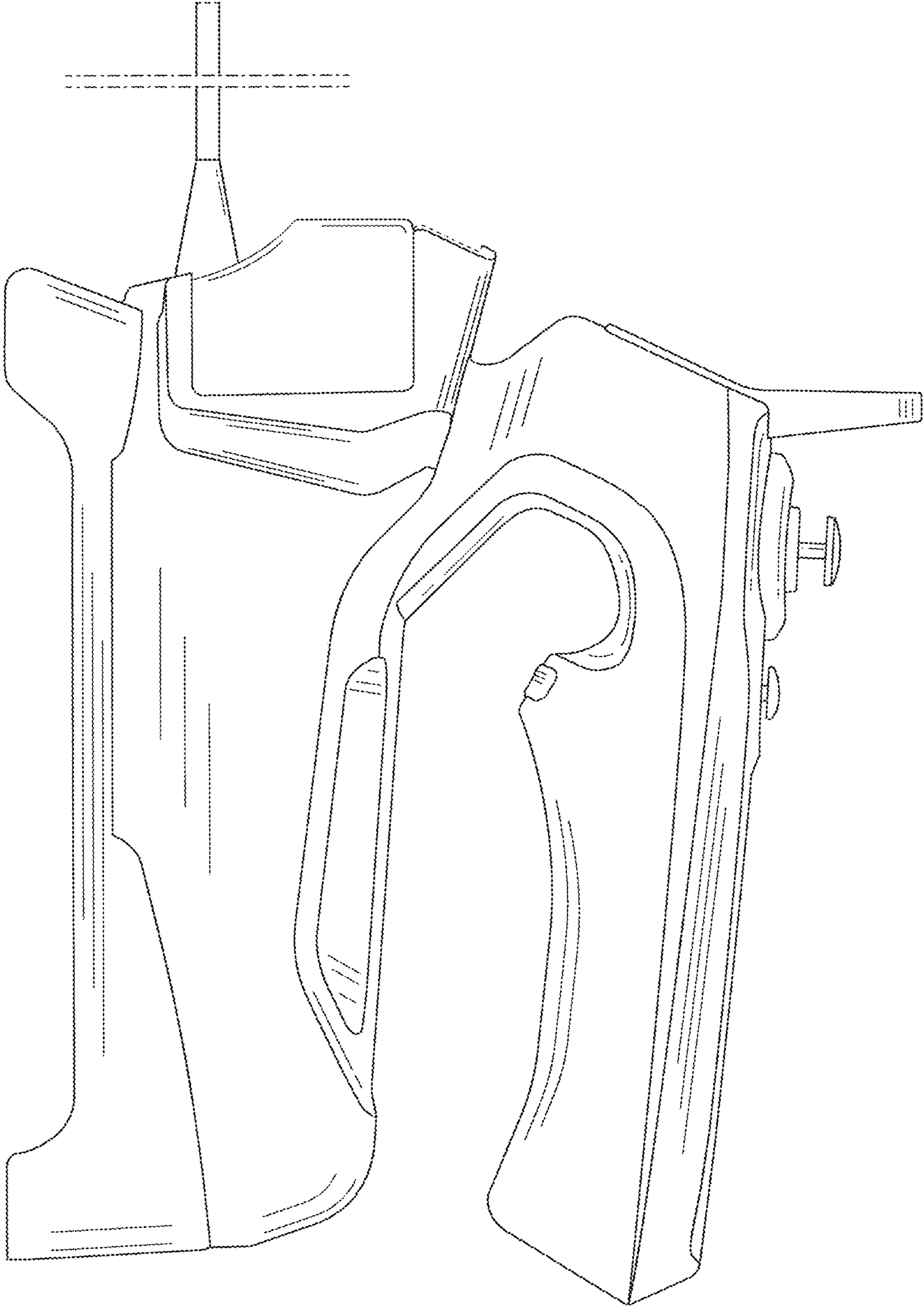


Fig. 7