



US00D877333S

(12) **United States Design Patent**
Sato et al.

(10) **Patent No.:** **US D877,333 S**
(45) **Date of Patent:** **** Mar. 3, 2020**

(54) **IMAGING MODULE FOR AN ENDOSCOPE**

(71) Applicant: **FUJIKURA LTD.**, Tokyo (JP)

(72) Inventors: **Takao Sato**, Sakura (JP); **Masanobu Saruta**, Sakura (JP); **Hideo Shiratani**, Sakura (JP); **Takahiro Shimono**, Sakura (JP); **Hideaki Usuda**, Sakura (JP); **Takeshi Ishizuka**, Sakura (JP); **Wataru Oishi**, Sakura (JP)

(73) Assignee: **FUJIKURA LTD.**, Tokyo (JP)

(**) Term: **15 Years**

(21) Appl. No.: **29/607,686**

(22) Filed: **Jun. 15, 2017**

(30) **Foreign Application Priority Data**

Dec. 16, 2016 (JP) 2016-027284

(51) **LOC (12) Cl.** **24-02**

(52) **U.S. Cl.**
USPC **D24/138**

(58) **Field of Classification Search**
USPC D24/108, 111, 112, 113, 117, 118, 127,
D24/130, 133, 135, 137, 138, 141, 143,
D24/144, 148, 152, 153, 154, 170, 176,
D24/179, 216, 222
CPC A61B 1/00; A61B 1/00137; A61B 1/005;
A61B 1/0014; A61B 1/0676; A61B
1/0669; A61B 1/00121; A61B 1/00133;
A61B 1/00071; A61B 1/00064; A61B
1/00068; A61B 1/00112; A61B 1/0125;
A61B 17/3478

See application file for complete search history.

(56) **References Cited**

U.S. PATENT DOCUMENTS

D591,438 S * 4/2009 Hama D24/133
D681,201 S * 4/2013 McFarland D24/144

D828,862 S * 9/2018 Fang D16/130
D855,802 S * 8/2019 Marcoux D24/138
2008/0234547 A1* 9/2008 Irion A61B 1/00071
600/133
2014/0094657 A1* 4/2014 Miyamoto A61B 1/00137
600/114

(Continued)

Primary Examiner — Eliza Z Bennett-Hattan
(74) *Attorney, Agent, or Firm* — Sughrue Mion, PLLC

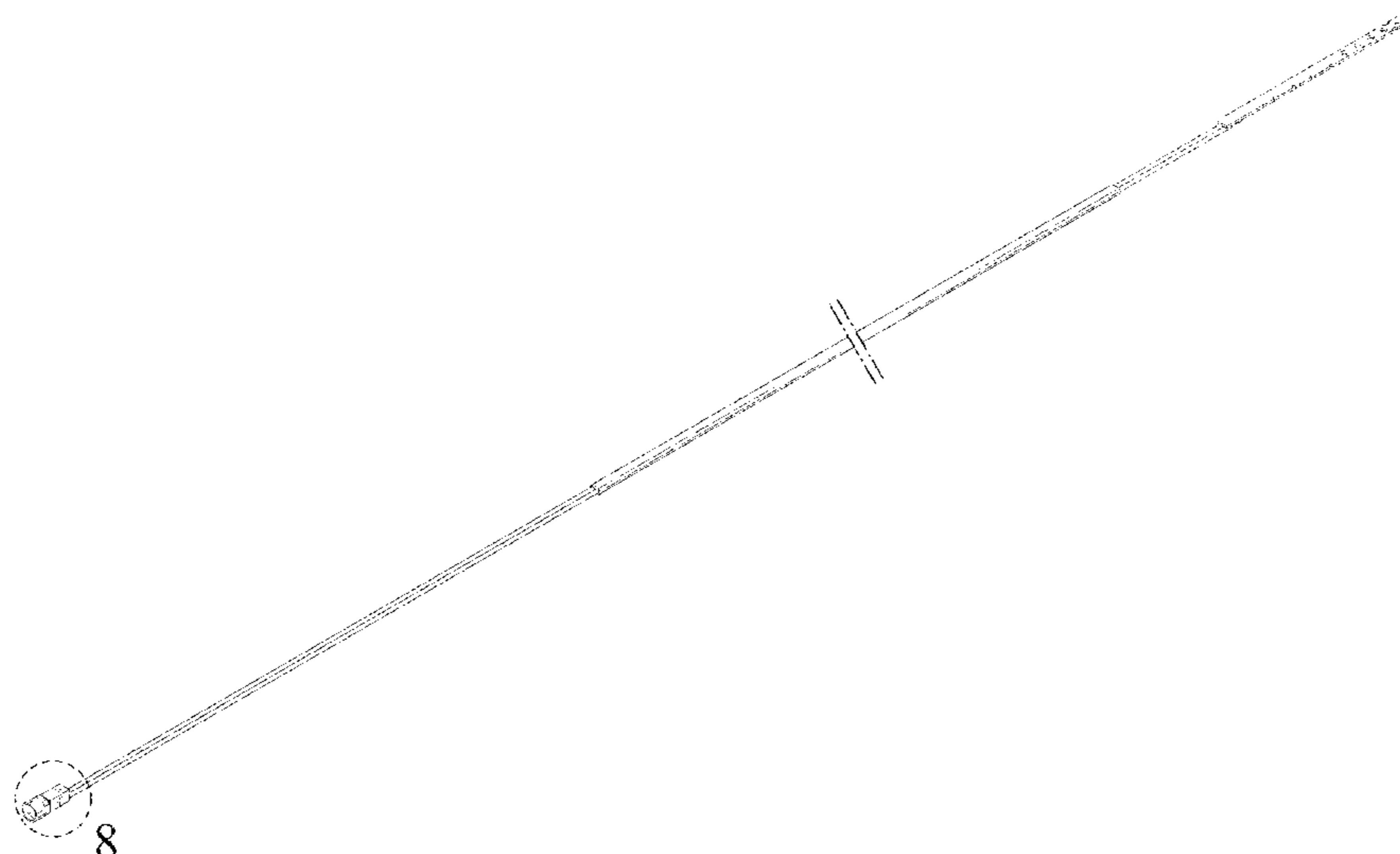
(57) **CLAIM**

The ornamental design for an imaging module for an endoscope, as shown and described.

DESCRIPTION

FIG. 1 is a perspective view of an imaging module for an endoscope.
FIG. 2 is a front elevation view thereof.
FIG. 3 is a rear elevation view thereof.
FIG. 4 is a left side elevation view thereof.
FIG. 5 is a right side elevation view thereof.
FIG. 6 is a top plan view thereof.
FIG. 7 is a bottom plan view thereof.
FIG. 8 is an enlarged view of the portion 8 in FIG. 1.
FIG. 9 is an enlarged view of the portion 9 in FIG. 2.
FIG. 10 is an enlarged left side elevation view thereof.
FIG. 11 is an enlarged right side elevation view thereof.
FIG. 12 is an enlarged cross-sectional view taken along the line 12-12 in FIG. 9.
FIG. 13 is an enlarged cross-sectional view of the portion 9 in FIG. 2 taken along the line 13-13 in FIG. 10, which omits the internal structure; and,
FIG. 14 is a referential view showing the curved state thereof.
The broken lines shown in the drawings illustrate portions of the imaging module for an endoscope that form no part of the claimed design. The one-dot lines show a symbolic break in length.

1 Claim, 14 Drawing Sheets



(56)

References Cited

U.S. PATENT DOCUMENTS

2016/0051130 A1* 2/2016 Mitsuya A61B 1/00137
600/127
2016/0192826 A1* 7/2016 Shimazaki A61B 1/00137
600/104
2016/0213225 A1* 7/2016 Sato A61B 1/0008
2017/0231476 A1* 8/2017 Matsuo A61B 1/00
600/104
2019/0174999 A1* 6/2019 Wake A61B 1/00091
2019/0216299 A1* 7/2019 Hayakawa A61B 1/00
2019/0274526 A1* 9/2019 Matsumoto G02B 23/2415

* cited by examiner

FIG. 1

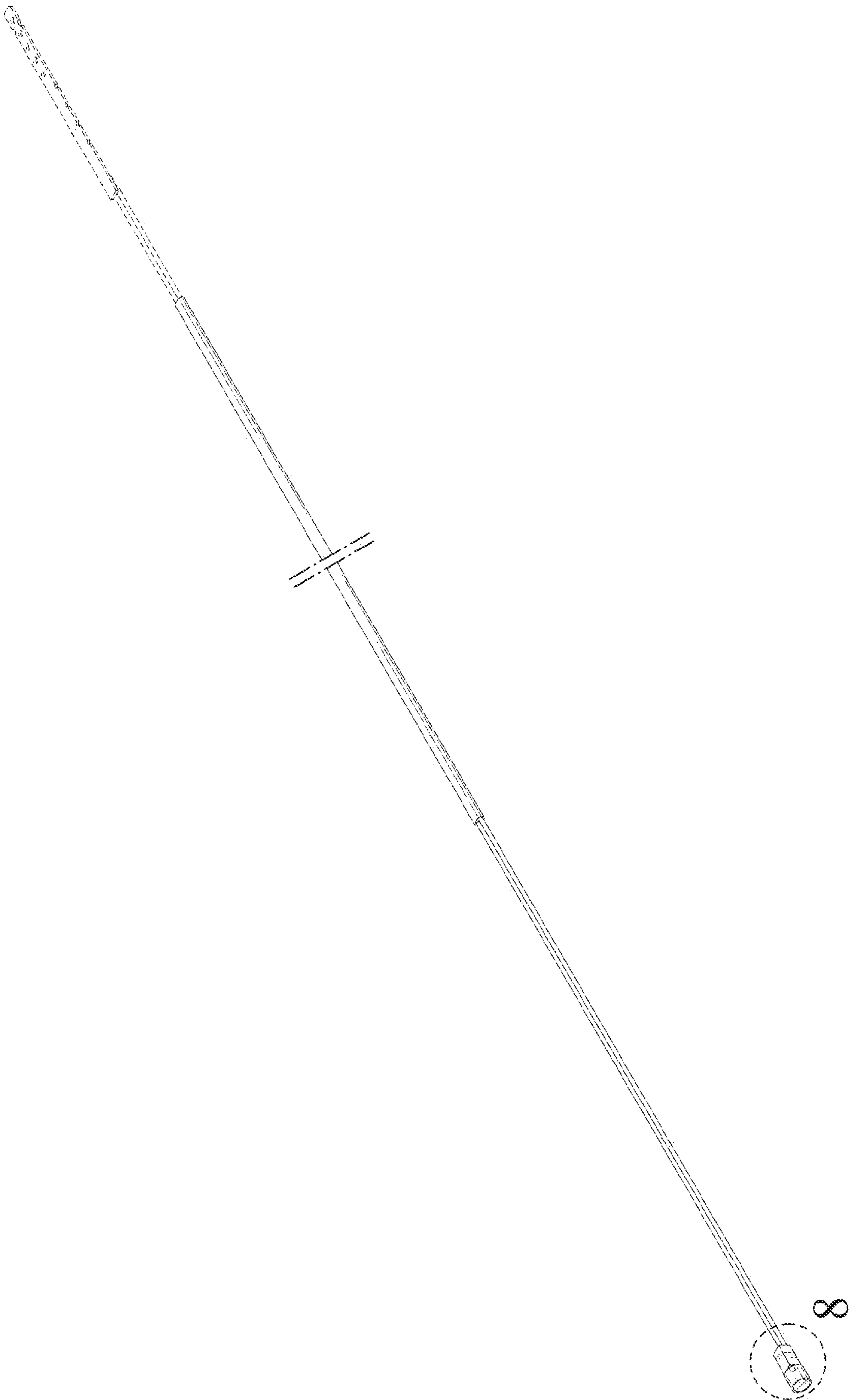


FIG. 2

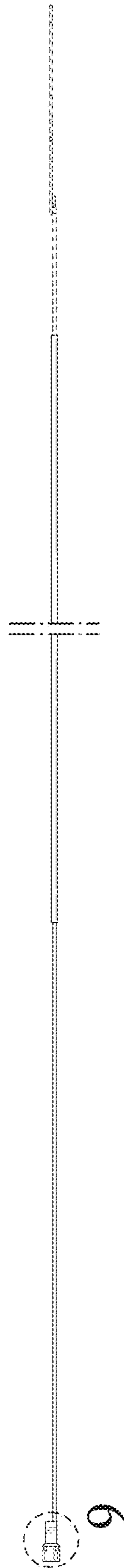


FIG. 3

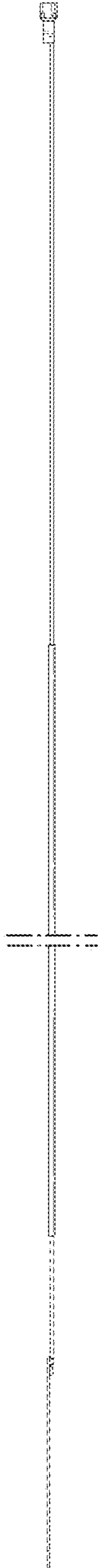


FIG. 4



FIG. 5



FIG. 6

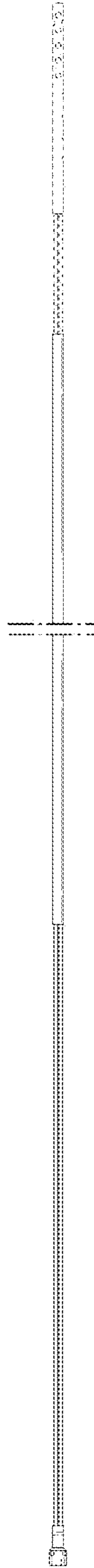
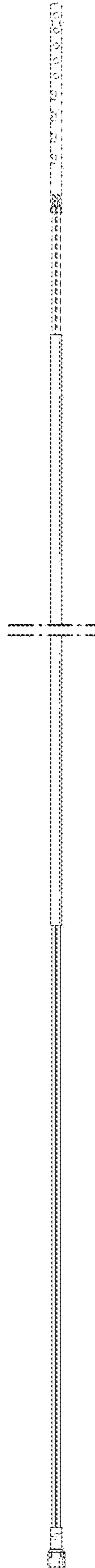


FIG. 7



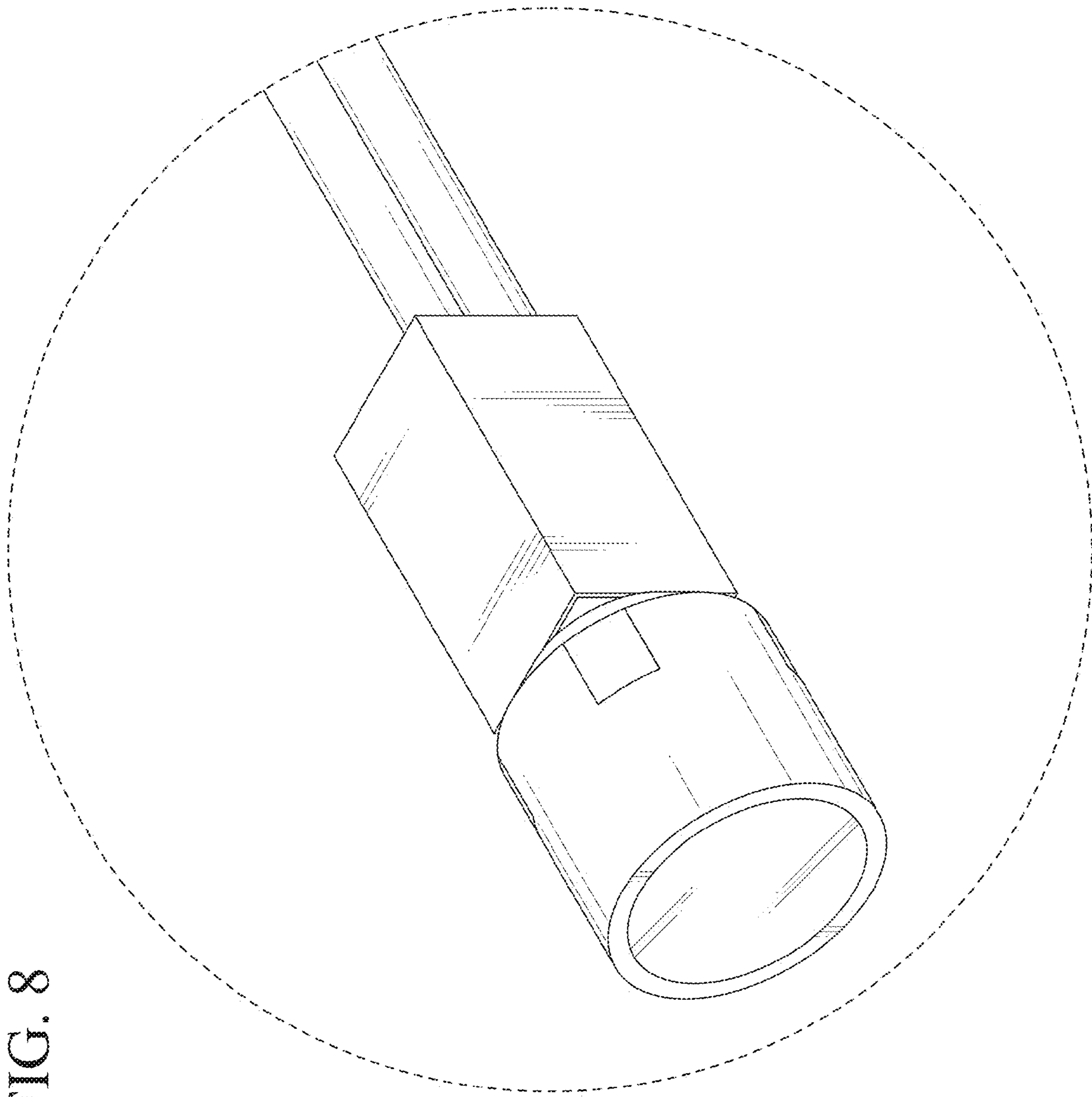


FIG. 8

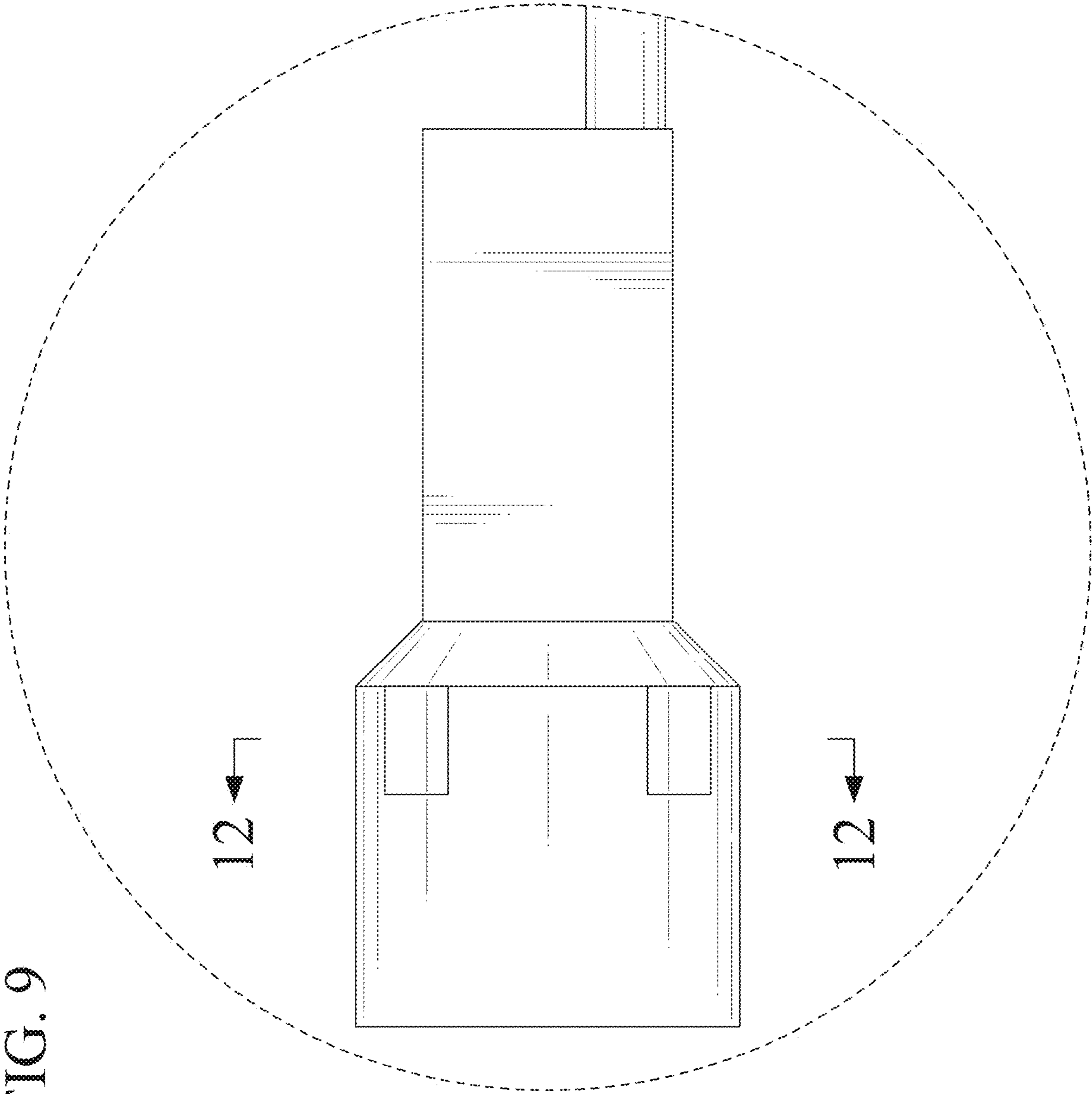
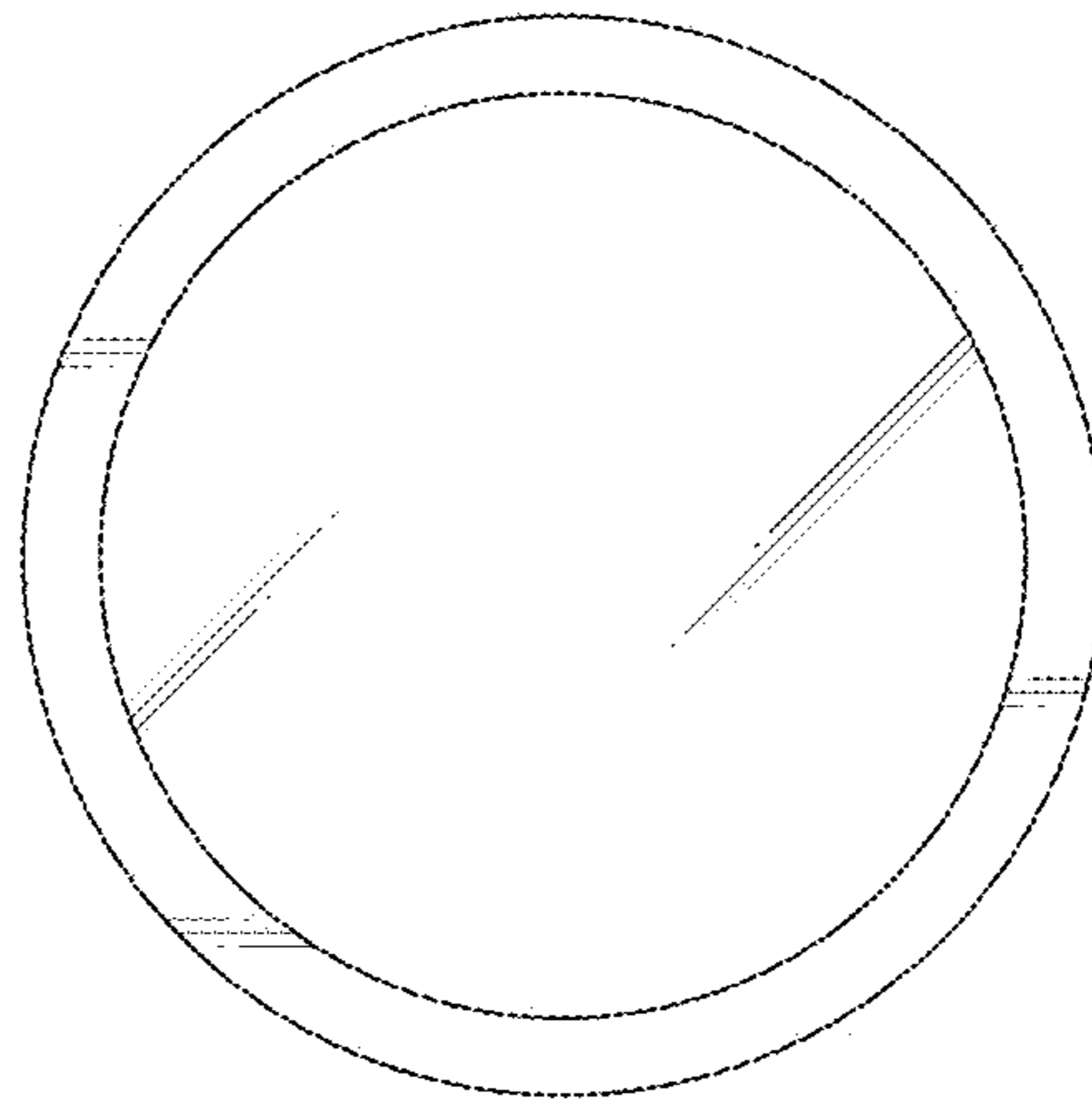


FIG. 9

FIG. 10

13



13

FIG. 11

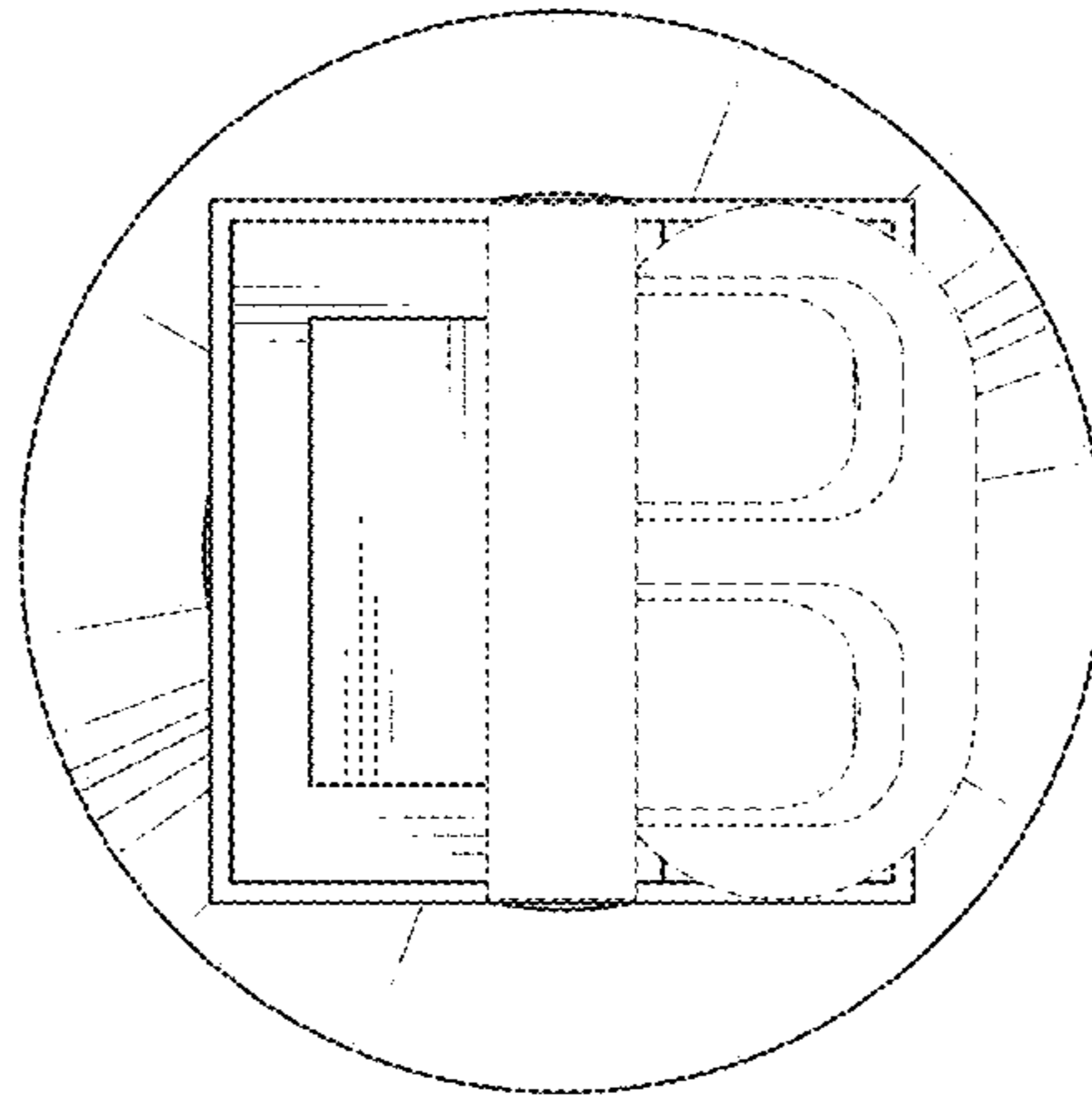


FIG. 12

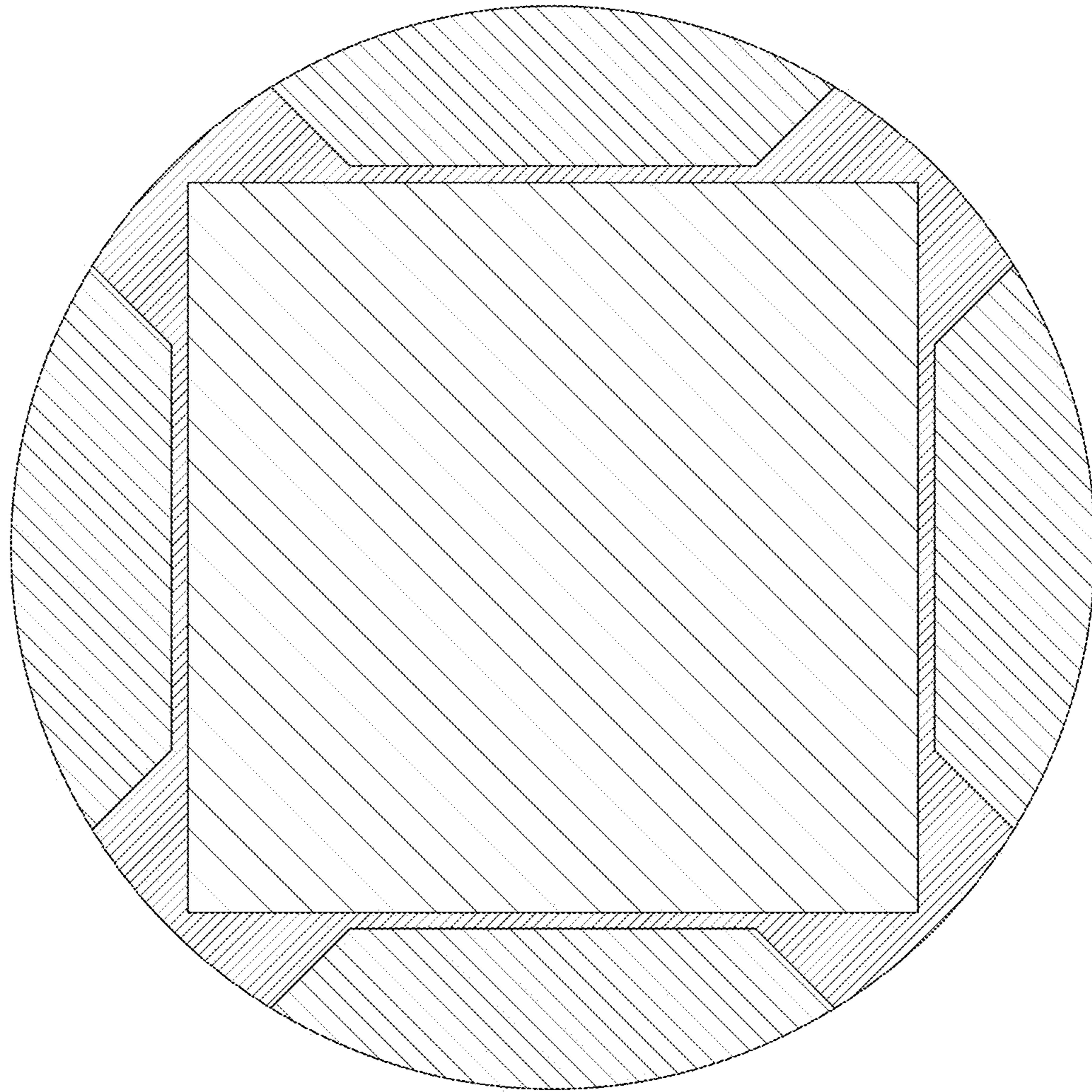


FIG. 13

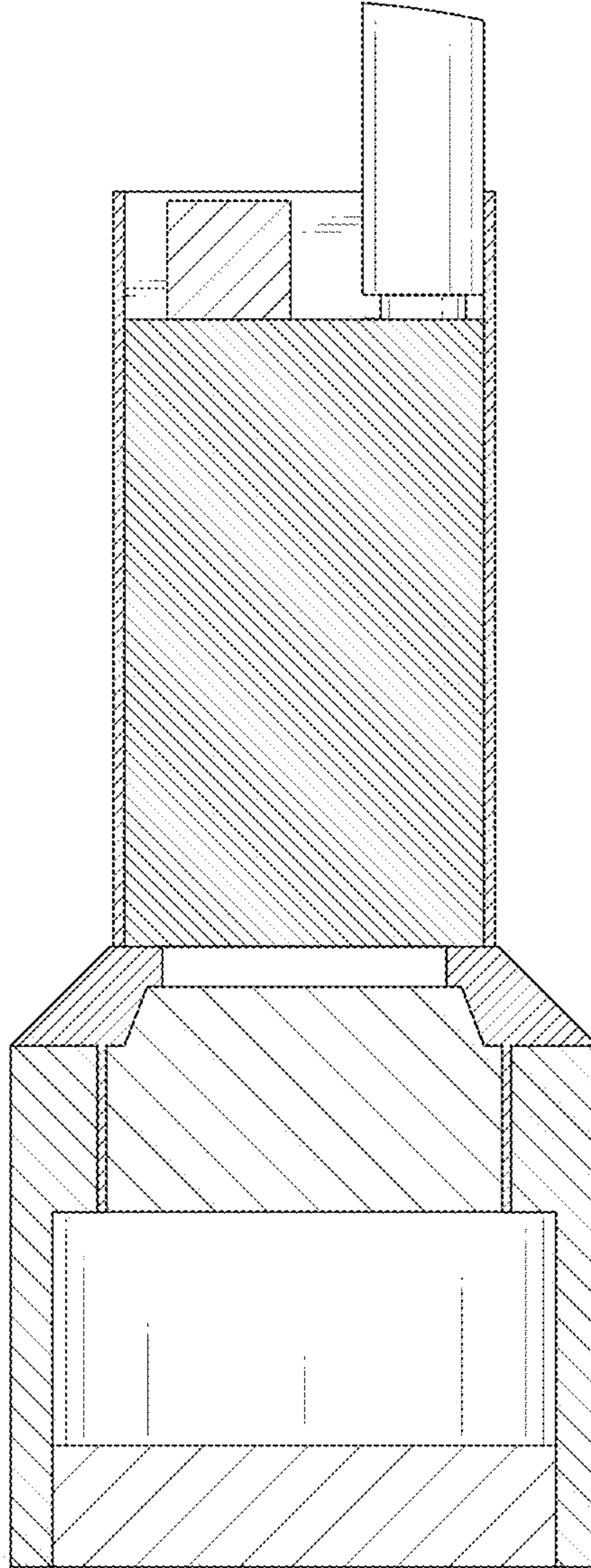


FIG. 14

