



US00D877329S

(12) **United States Design Patent**
Sumaily

(10) **Patent No.:** **US D877,329 S**

(45) **Date of Patent:** **** Mar. 3, 2020**

(54) **SELF-RETAINING NASAL SEPTUM
RETRACTOR**

D794,788 S * 8/2017 Benson D24/143
D825,755 S * 8/2018 Pfeffer D24/143
10,299,670 B1 * 5/2019 Sumaily A61B 17/02
2002/0133060 A1 9/2002 Doyle

(71) Applicant: **KING SAUD UNIVERSITY**, Riyadh
(SA)

FOREIGN PATENT DOCUMENTS

(72) Inventor: **Ibrahim Ali Sumaily**, Riyadh (SA)

CN 201436016 U 4/2010
FR 2792821 A3 11/2000
JP 2010119455 A 6/2010
WO 9908587 A1 2/1999

(73) Assignee: **King Saud University**, Riyadh (SA)

(**) Term: **15 Years**

* cited by examiner

(21) Appl. No.: **29/664,031**

Primary Examiner — Bridget L Eland

(22) Filed: **Sep. 20, 2018**

(74) *Attorney, Agent, or Firm* — Richard C. Litman;
Nath, Goldberg & Meyer

(51) **LOC (12) Cl.** **24-02**

(52) **U.S. Cl.**
USPC **D24/135**

(57) **CLAIM**

(58) **Field of Classification Search**
USPC D24/133, 135, 143, 148
CPC A61B 1/32; A61B 17/02
See application file for complete search history.

The ornamental design for a self-retaining nasal septum retractor, as shown and described.

DESCRIPTION

(56) **References Cited**

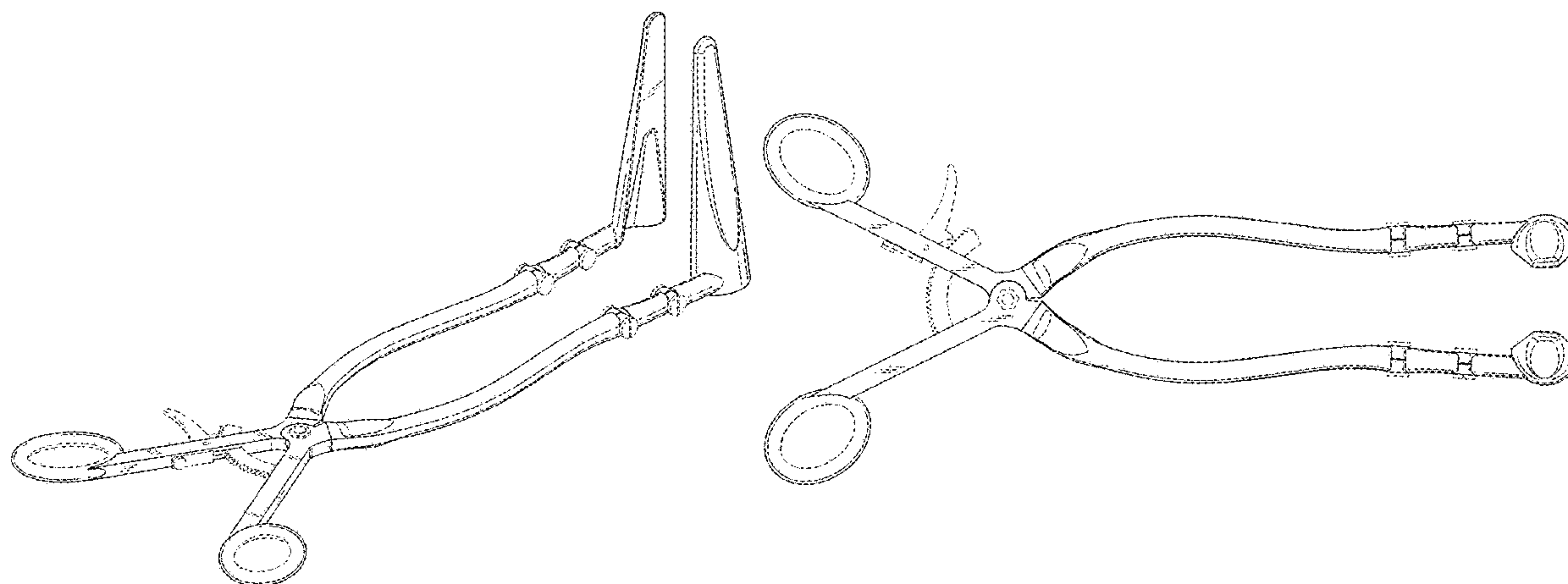
U.S. PATENT DOCUMENTS

3,391,690 A * 7/1968 Armao A61B 17/2812
600/564
3,439,523 A * 4/1969 Wood A61B 17/122
606/142
D307,322 S * 4/1990 Dolwick D24/135
D310,714 S * 9/1990 Dolwick D24/148
D319,877 S * 9/1991 O'Neal-Cox D24/143
5,931,777 A 8/1999 Sava
D448,080 S 9/2001 Moscarelli et al.
D578,648 S * 10/2008 Wood D24/133
D612,494 S * 3/2010 Ott D24/135
D629,897 S * 12/2010 Koros D24/135
D740,416 S * 10/2015 Dolmetsch D24/143
D751,197 S * 3/2016 Tran D24/135

FIG. 1 is a perspective view of a self-retaining nasal septum retractor showing my new design;
FIG. 2 is a front elevational view thereof;
FIG. 3 is a rear elevational view thereof;
FIG. 4 is a top view thereof;
FIG. 5 is a right side elevational view;
FIG. 6 is a left side elevational view; and
FIG. 7 is a bottom view thereof; and,
FIG. 8 is a perspective view with the arm hinges angled downwards.

The broken lines are directed to the environment and are for illustrative purposes only; the broken lines form no part of the claimed design.

1 Claim, 6 Drawing Sheets



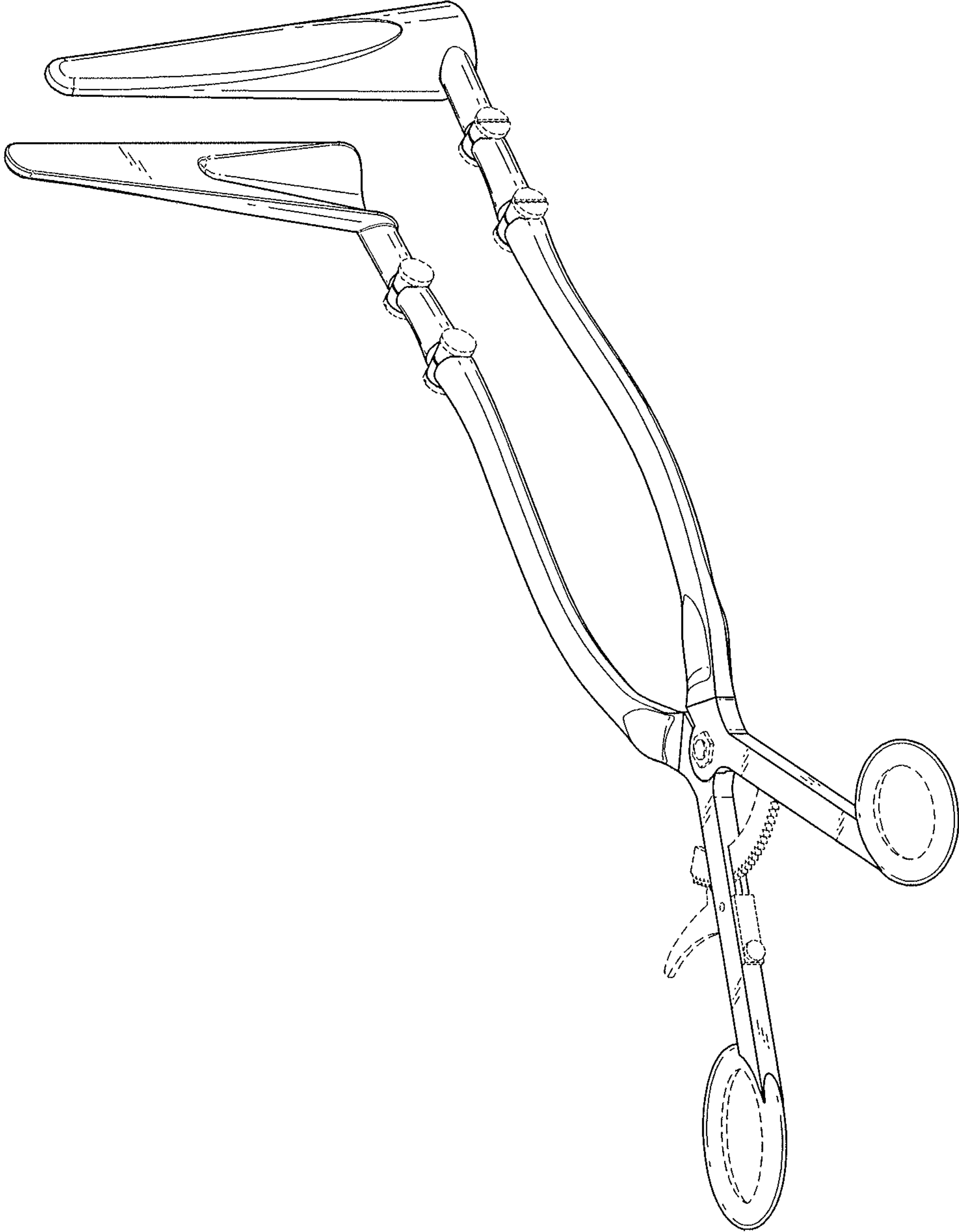


FIG. 1

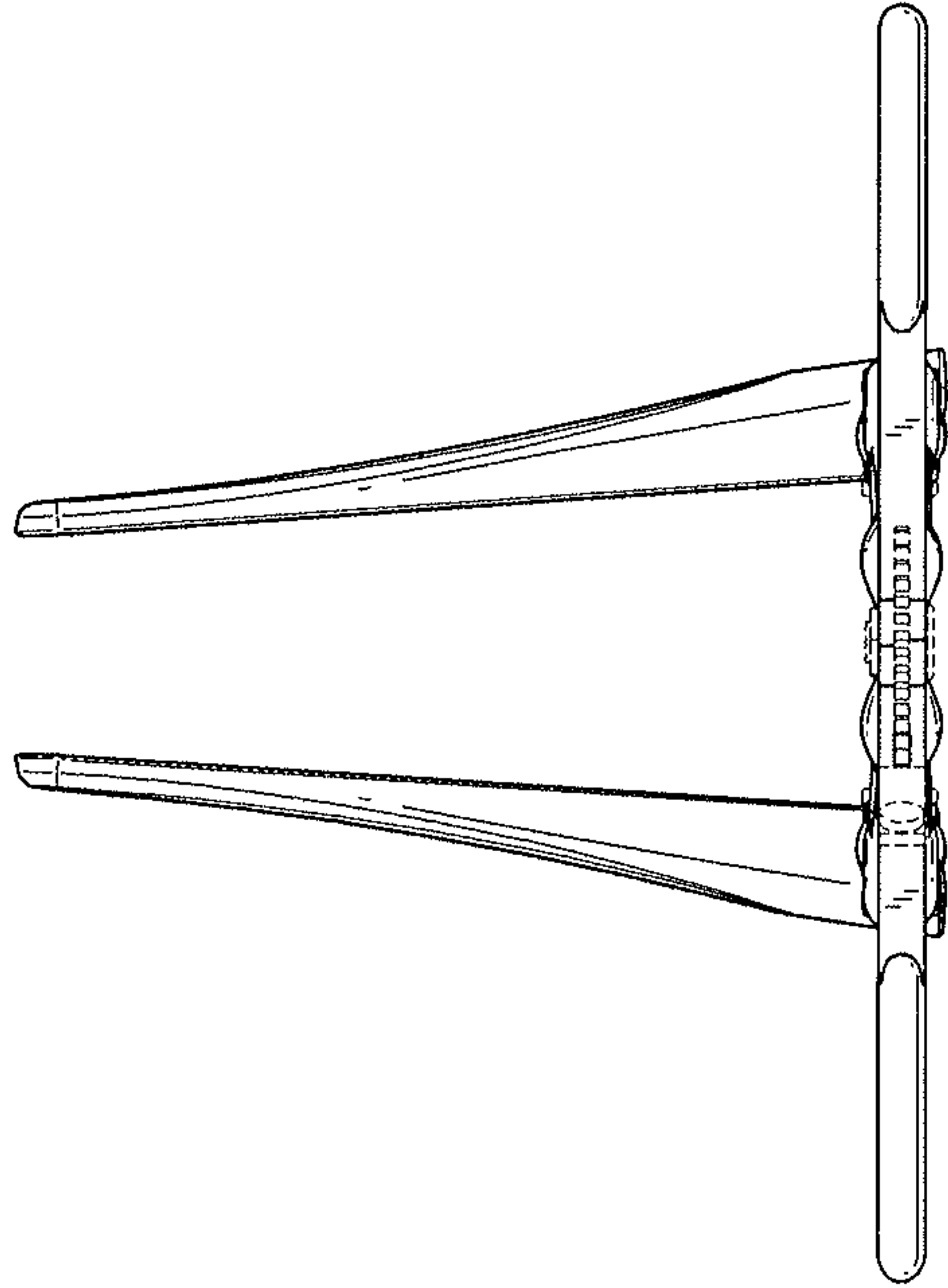


FIG. 3

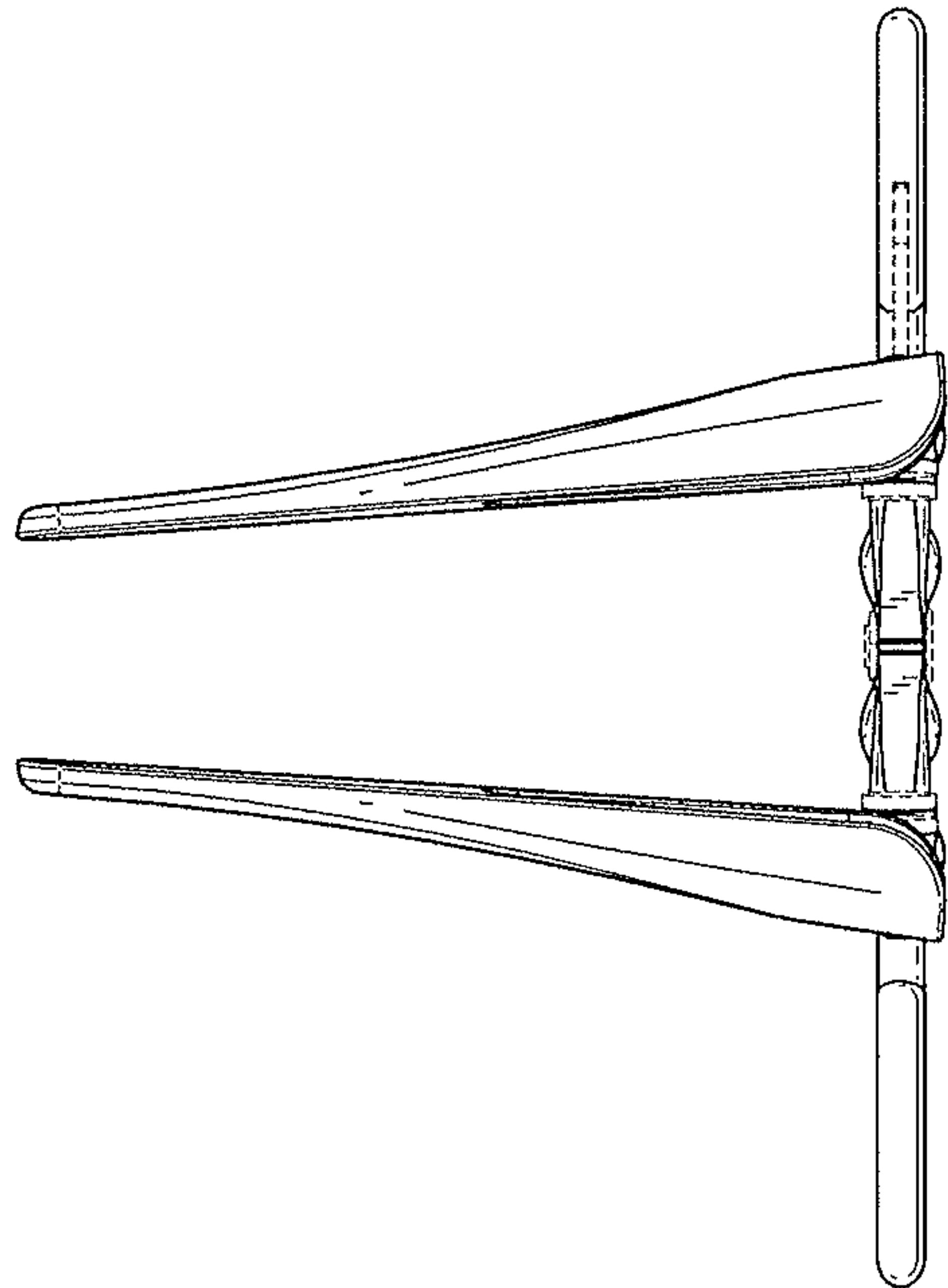


FIG. 2

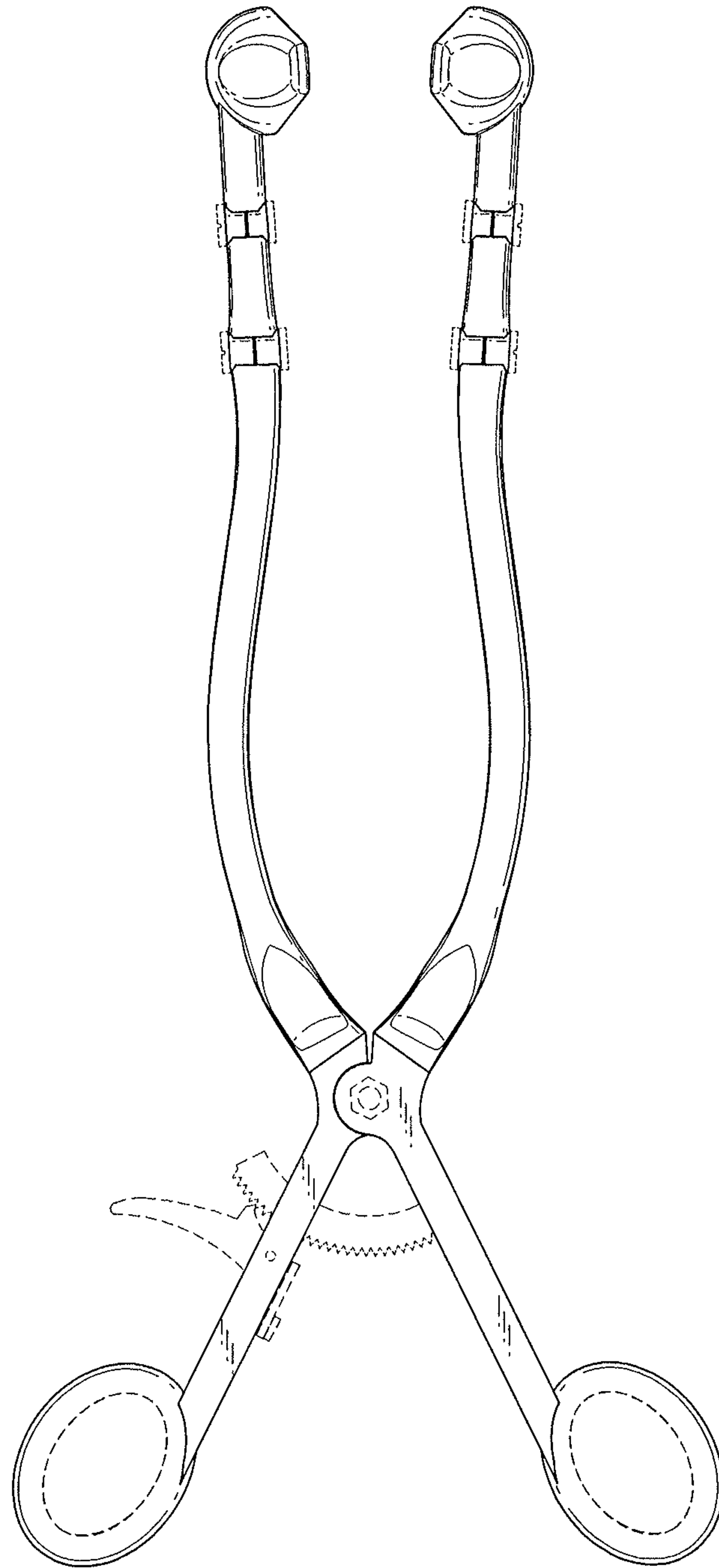


FIG. 4

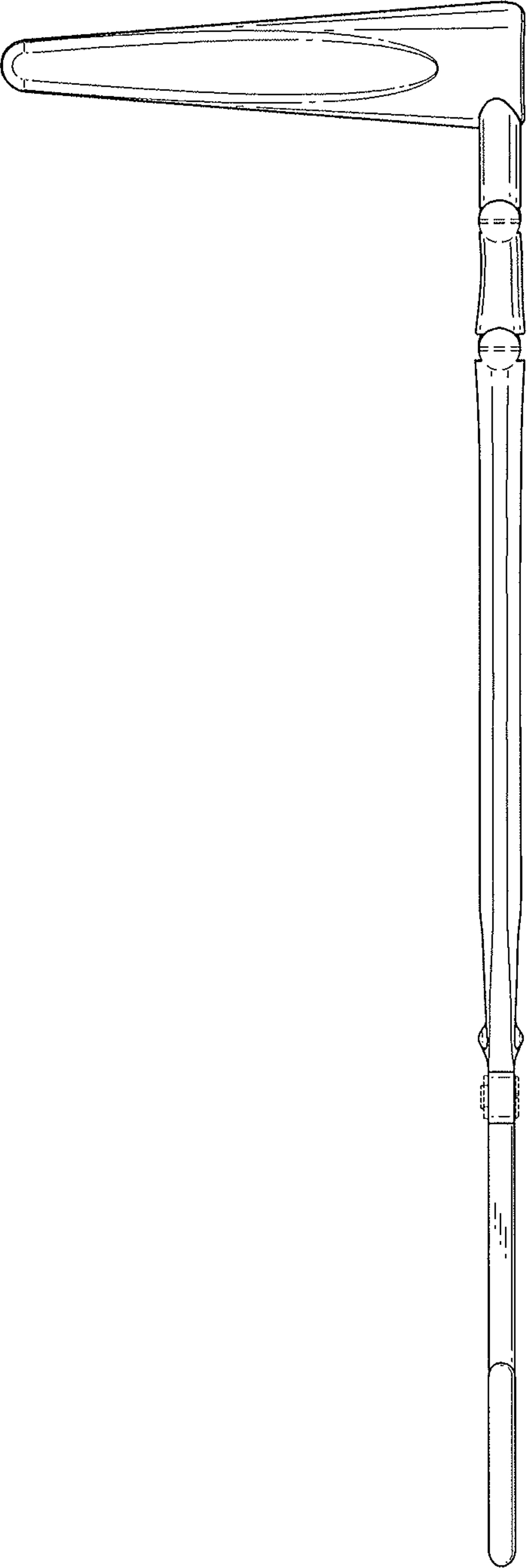


FIG. 5

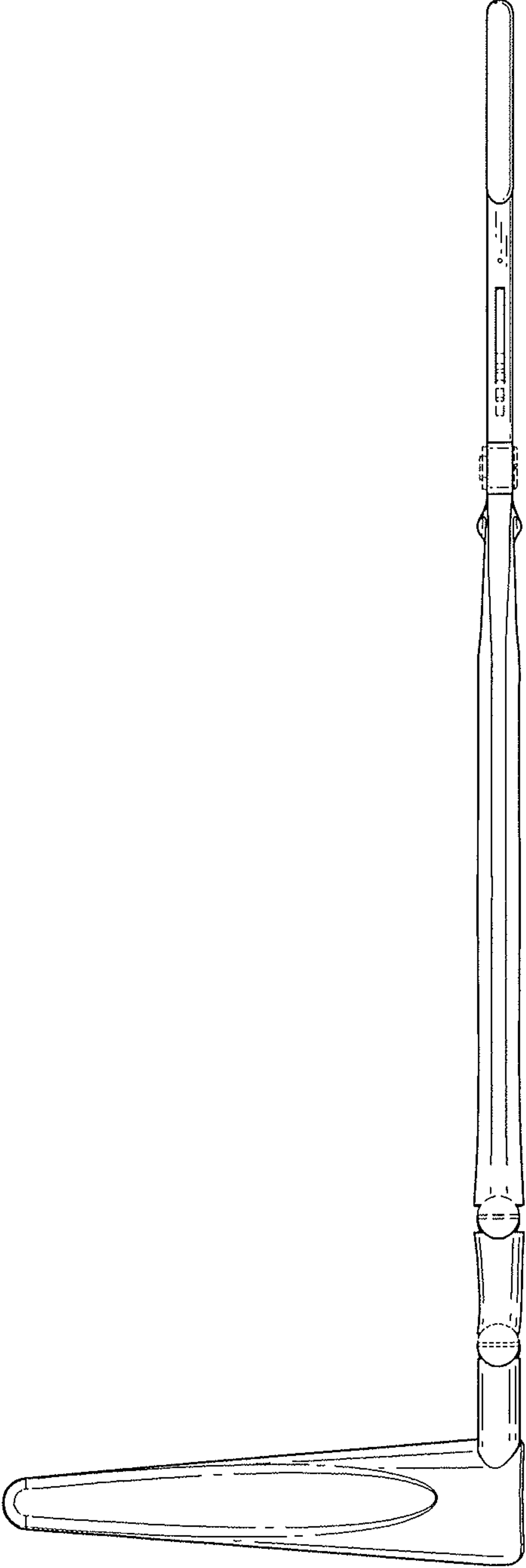


FIG. 6

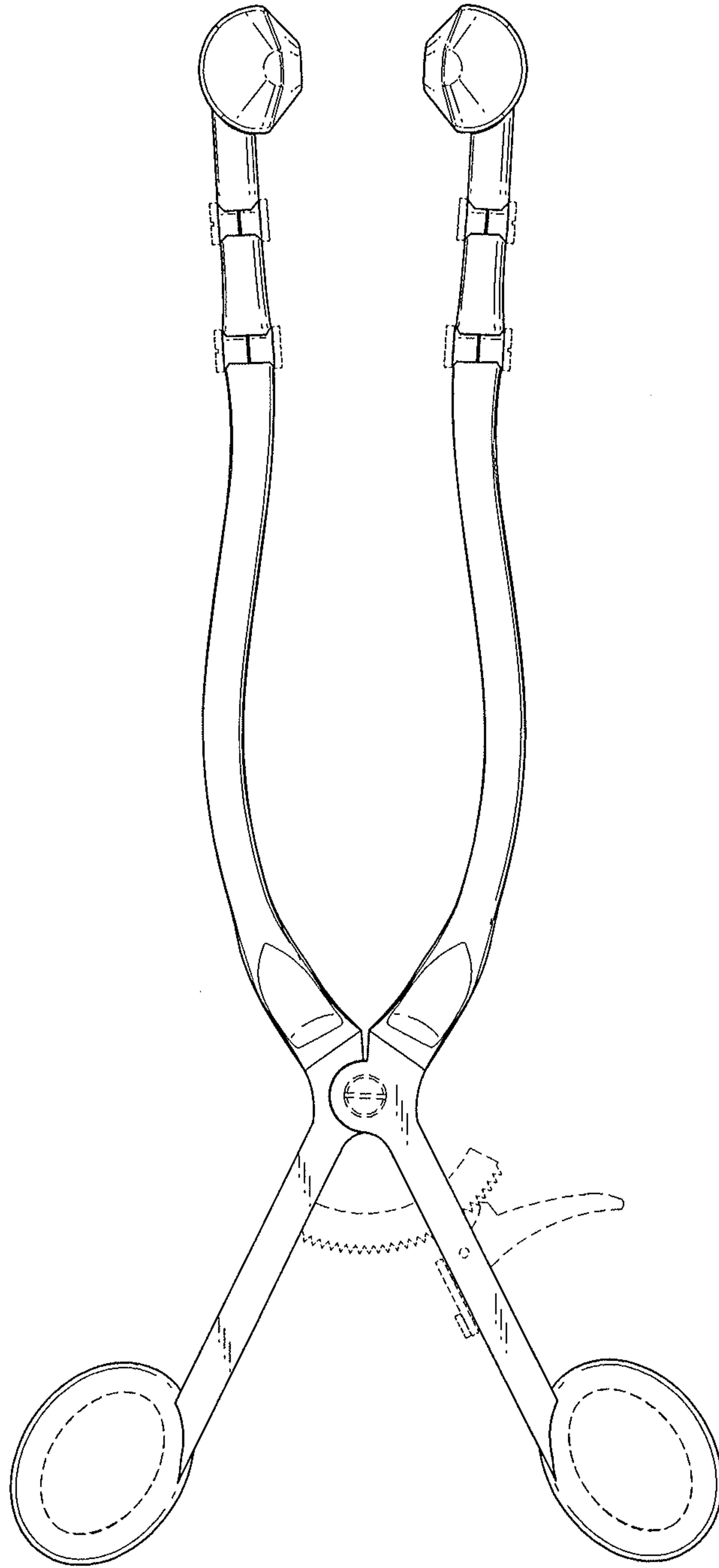


FIG. 7

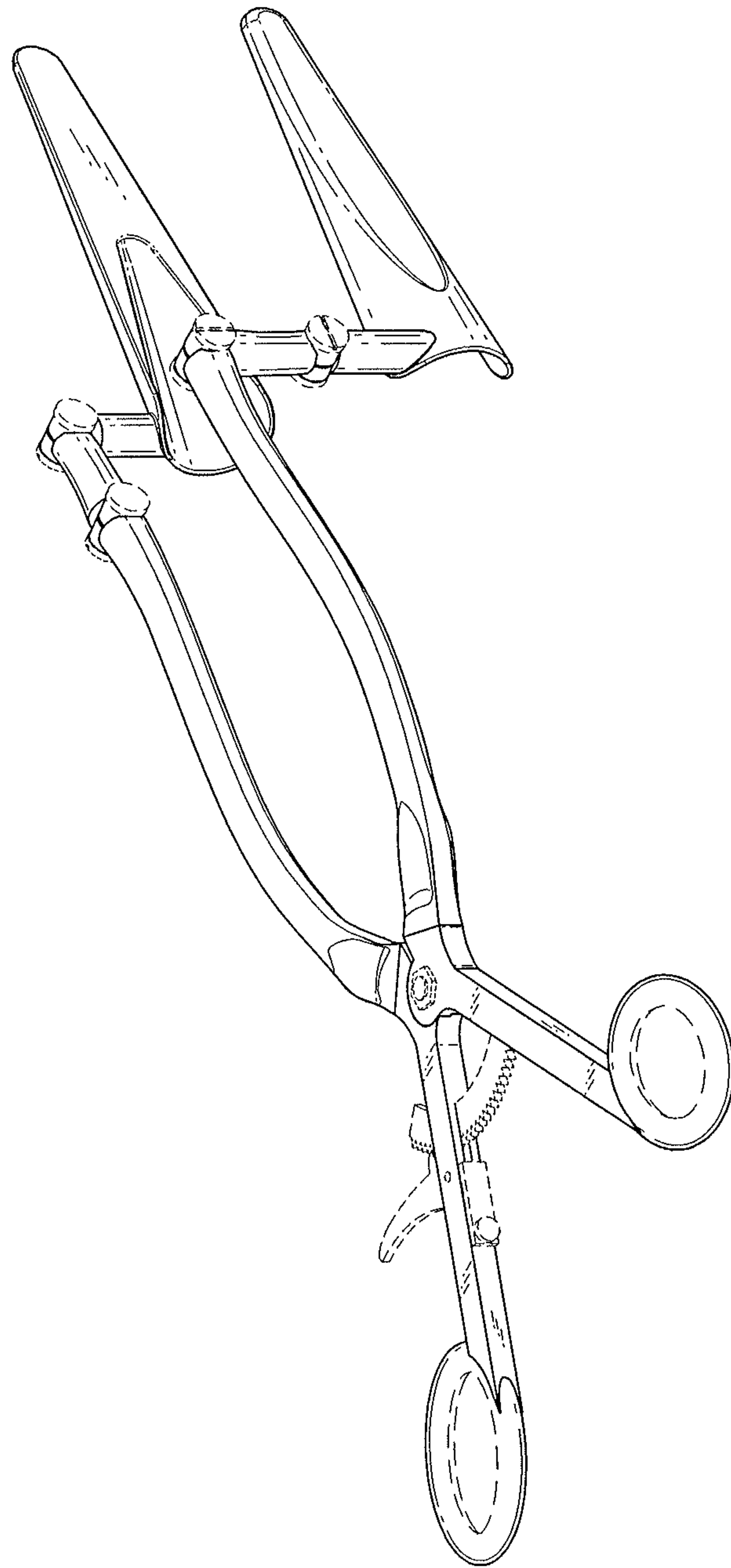


FIG. 8