



US00D877328S

(12) **United States Design Patent** (10) **Patent No.:** **US D877,328 S**  
**Alsiddiky et al.** (45) **Date of Patent:** **\*\* Mar. 3, 2020**

(54) **RETRACTOR WITH SUCTION FOR ORTHOPEDIC SURGERY**

(71) Applicant: **KING SAUD UNIVERSITY**, Riyadh (SA)

(72) Inventors: **Abdulmonem M. Alsiddiky**, Riyadh (SA); **Raheef Alatassi**, Riyadh (SA)

(73) Assignee: **King Saud University**, Riyadh (SA)

(\*\*) Term: **15 Years**

(21) Appl. No.: **29/663,341**

(22) Filed: **Sep. 13, 2018**

(51) **LOC (12) Cl.** ..... **24-02**

(52) **U.S. Cl.**  
USPC ..... **D24/135**

(58) **Field of Classification Search**  
USPC ..... D24/133, 135, 144  
CPC ..... A61M 1/008; A61B 17/0206; A61B 1/12;  
A61B 1/32; A61C 17/08

See application file for complete search history.

(56) **References Cited**

**U.S. PATENT DOCUMENTS**

|              |         |           |       |         |
|--------------|---------|-----------|-------|---------|
| D318,116 S * | 7/1991  | Michelson | ..... | D24/135 |
| 5,123,403 A  | 6/1992  | Lavyne    |       |         |
| D328,347 S * | 7/1992  | Santora   | ..... | D24/133 |
| D351,227 S * | 10/1994 | Patton    | ..... | D24/112 |
| D353,197 S * | 12/1994 | Hawks     | ..... | D24/112 |
| D390,659 S * | 2/1998  | Chan      | ..... | D24/133 |
| D440,310 S * | 4/2001  | Laks      | ..... | D24/112 |
| D546,948 S * | 7/2007  | Huttner   | ..... | D24/133 |
| D547,864 S * | 7/2007  | Rau       | ..... | 600/131 |

|                 |         |                    |       |         |
|-----------------|---------|--------------------|-------|---------|
| D612,049 S *    | 3/2010  | Baynham            | ..... | D24/133 |
| D704,336 S *    | 5/2014  | Chon               | ..... | D24/133 |
| D718,441 S *    | 11/2014 | Carus              | ..... | D24/133 |
| D718,856 S      | 12/2014 | Altschuler         |       |         |
| 2007/0060793 A1 | 3/2007  | DeGould            |       |         |
| 2009/0209827 A1 | 8/2009  | Shelokov           |       |         |
| 2012/0078059 A1 | 3/2012  | Perez-Cruet et al. |       |         |

**OTHER PUBLICATIONS**

“Suction Long Handle Cobb Elevator”, Life Instruments, printed from [lifeinstruments.com/product/suction-long-handle-cobb-elevator-2](http://lifeinstruments.com/product/suction-long-handle-cobb-elevator-2) on May 3, 2018, 1 page.

\* cited by examiner

*Primary Examiner* — Bridget L Eland

(74) *Attorney, Agent, or Firm* — Richard C. Litman; Nath, Goldberg & Meyer

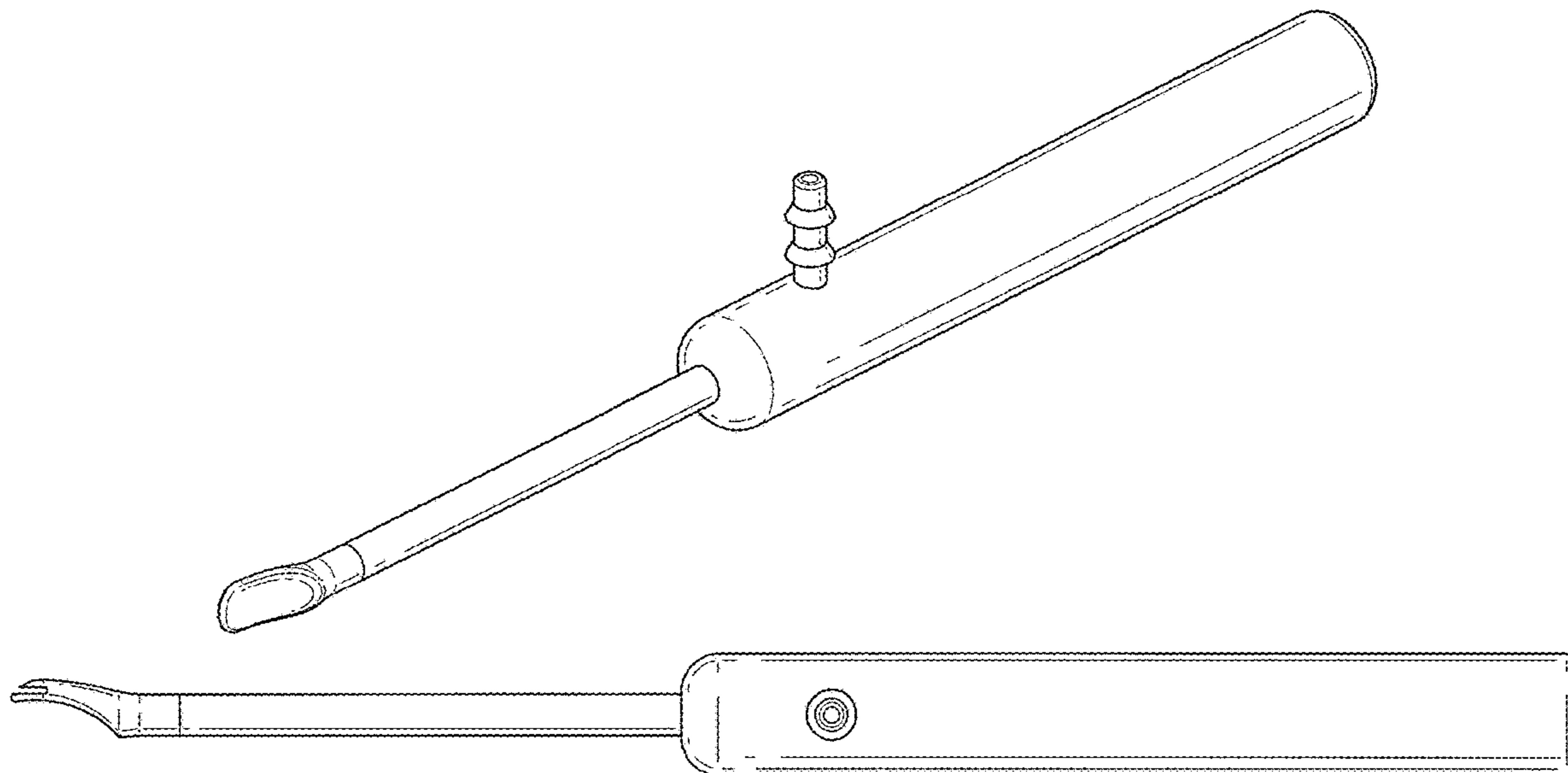
(57) **CLAIM**

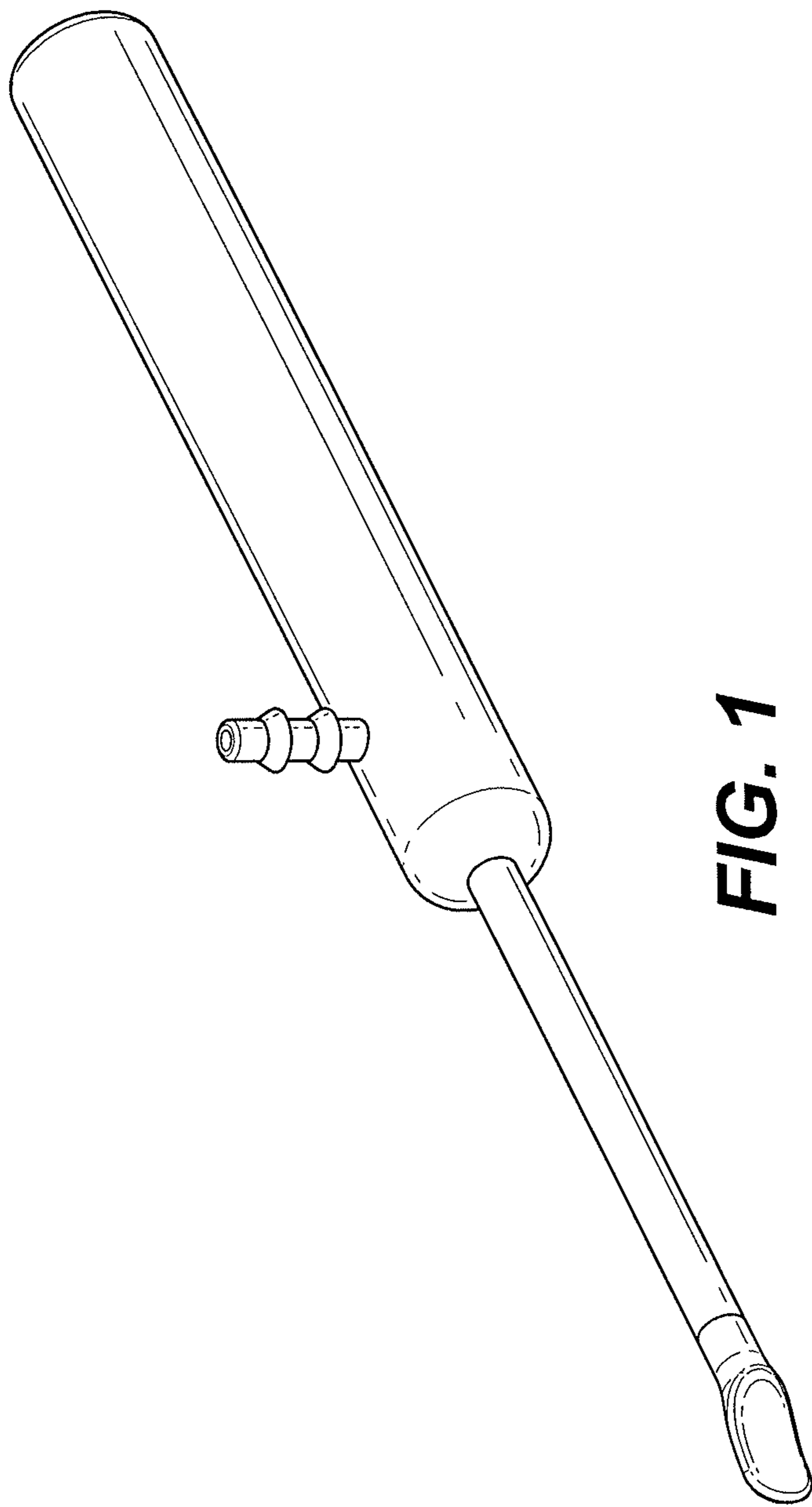
The ornamental design for a retractor with suction for orthopedic surgery, as shown and described.

**DESCRIPTION**

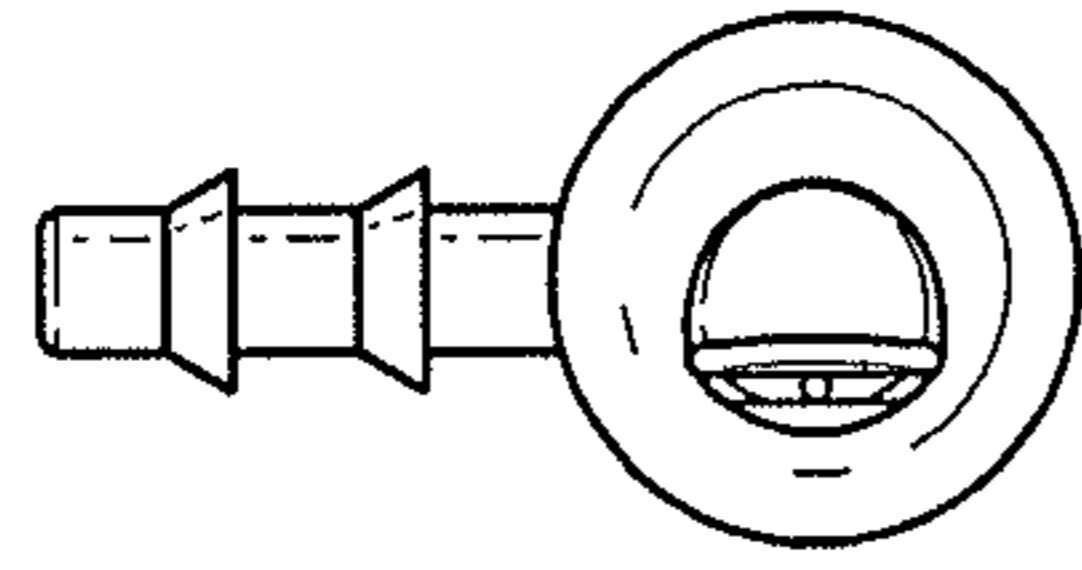
FIG. 1 is a perspective view of a retractor with suction for orthopedic surgery showing our new design; FIG. 2 is a front elevational view thereof; FIG. 3 is a rear elevational view thereof; FIG. 4 is a left side elevational view thereof; FIG. 5 is a right side elevational view thereof; FIG. 6 is a top view thereof; and, FIG. 7 is a bottom view thereof.

**1 Claim, 3 Drawing Sheets**

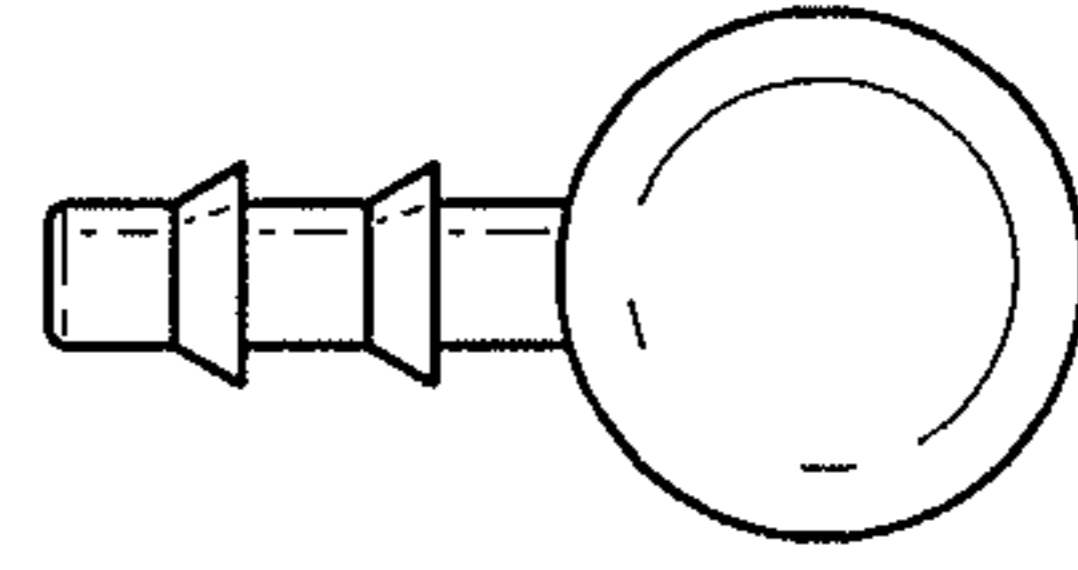




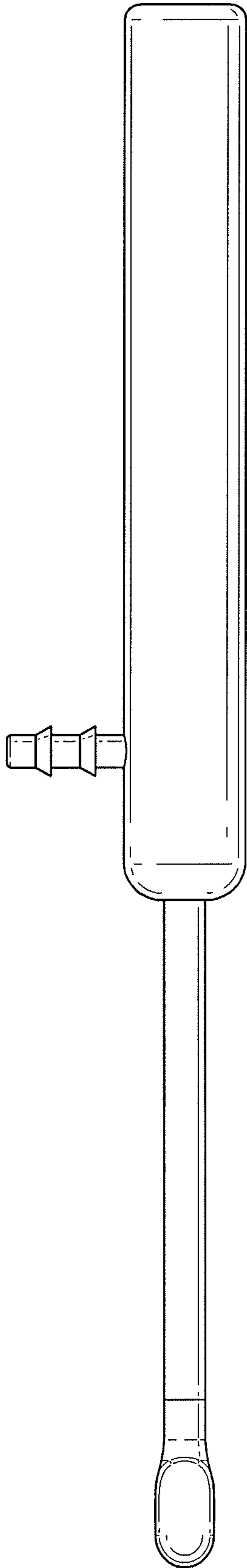
**FIG. 1**



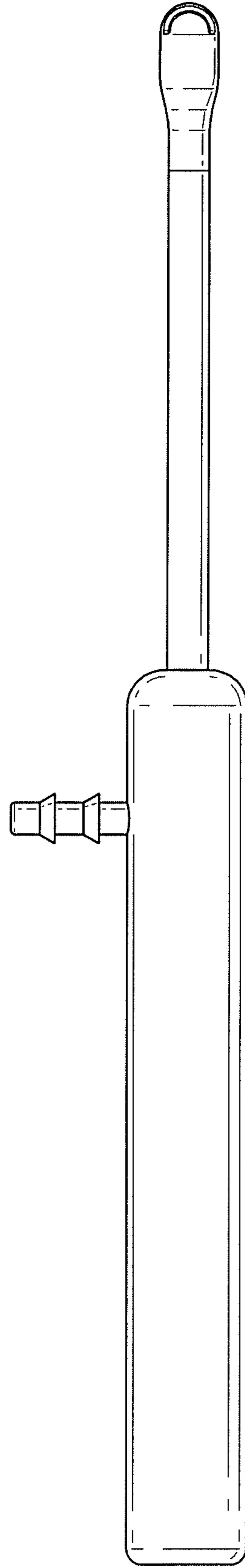
**FIG. 2**



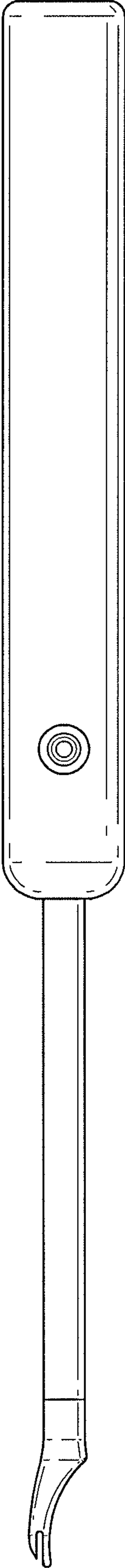
**FIG. 3**



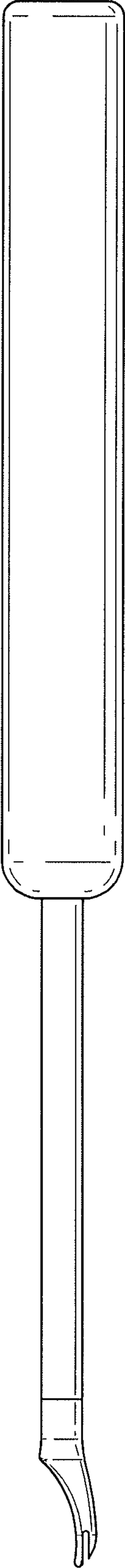
**FIG. 4**



**FIG. 5**



**FIG. 6**



**FIG. 7**