



US00D877327S

(12) **United States Design Patent**
Loriaux

(10) **Patent No.:** **US D877,327 S**
(45) **Date of Patent:** **** Mar. 3, 2020**

- (54) **STETHOSCOPE DIAPHRAGM**
- (71) Applicant: **Donald Lynn Loriaux**, West Linn, OR (US)
- (72) Inventor: **Donald Lynn Loriaux**, West Linn, OR (US)
- (**) Term: **15 Years**
- (21) Appl. No.: **29/665,420**
- (22) Filed: **Oct. 3, 2018**
- (51) **LOC (12) Cl.** **24-02**
- (52) **U.S. Cl.**
USPC **D24/134**
- (58) **Field of Classification Search**
USPC D24/133, 134, 137, 138, 200; D16/135; 181/131, 132, 133, 137
CPC .. A61B 7/00; A61B 7/02; A61B 7/003; A61B 7/04; H04R 1/46
See application file for complete search history.

- 6,206,134 B1 * 3/2001 Stark A61B 7/02 181/131
- D525,360 S * 7/2006 Nakamura D24/134
- 7,424,929 B1 * 9/2008 Martinez A61B 7/02 181/131
- D740,415 S * 10/2015 Johnson D24/134
- D840,028 S * 2/2019 Shan D24/134
- D847,986 S * 5/2019 Shan D24/134
- D858,760 S * 9/2019 Molinaro D24/134
- D859,488 S * 9/2019 Tremblay D16/131
- 10,398,406 B2 * 9/2019 Keller A61B 7/00
- 2018/0008227 A1 * 1/2018 Keller A61B 7/02
- 2018/0344282 A1 * 12/2018 Lin G10K 11/24

* cited by examiner

Primary Examiner — Brett Miller
Assistant Examiner — Yolanda Robinson
(74) *Attorney, Agent, or Firm* — Mohr Intellectual Property Law Solutions, PC

(57) **CLAIM**

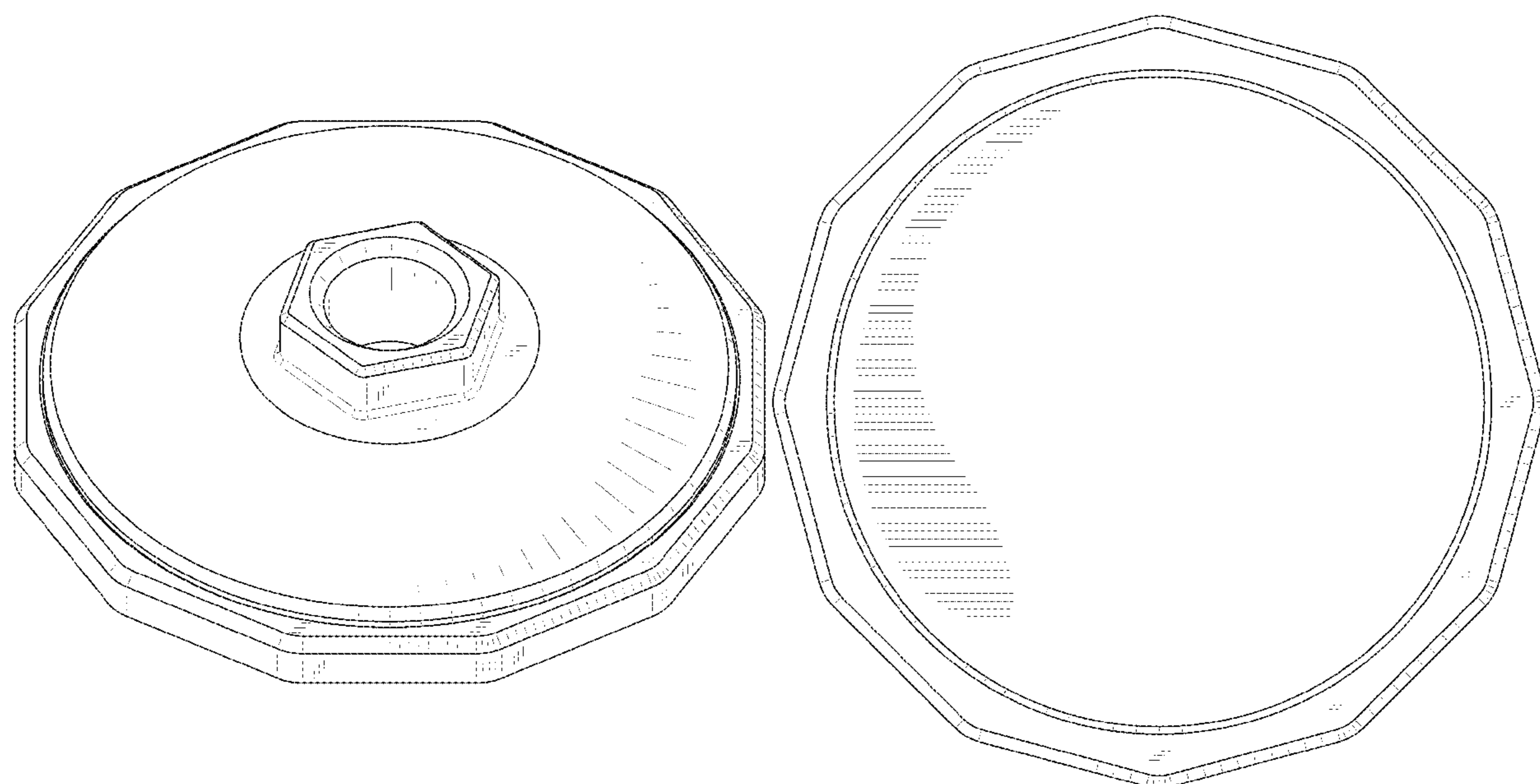
I claim the ornamental design for a stethoscope diaphragm, as shown and described.

DESCRIPTION

FIG. 1 is a rear perspective view of a stethoscope diaphragm. FIG. 2 is a front perspective view thereof. FIG. 3 is a side elevation view thereof. FIG. 4 is another side elevation view thereof. FIG. 5 is a rear plan view thereof; and, FIG. 6 is a front plan view thereof.

1 Claim, 6 Drawing Sheets

- (56) **References Cited**
U.S. PATENT DOCUMENTS
- 4,995,473 A * 2/1991 Packard A61B 7/02 181/131
- D353,196 S * 12/1994 Savage D24/134
- D361,840 S * 8/1995 Savage D24/134
- 5,448,025 A * 9/1995 Stark A61B 7/02 181/131
- 5,466,897 A * 11/1995 Ross A61B 7/02 181/131
- D387,160 S * 12/1997 Moore D24/134



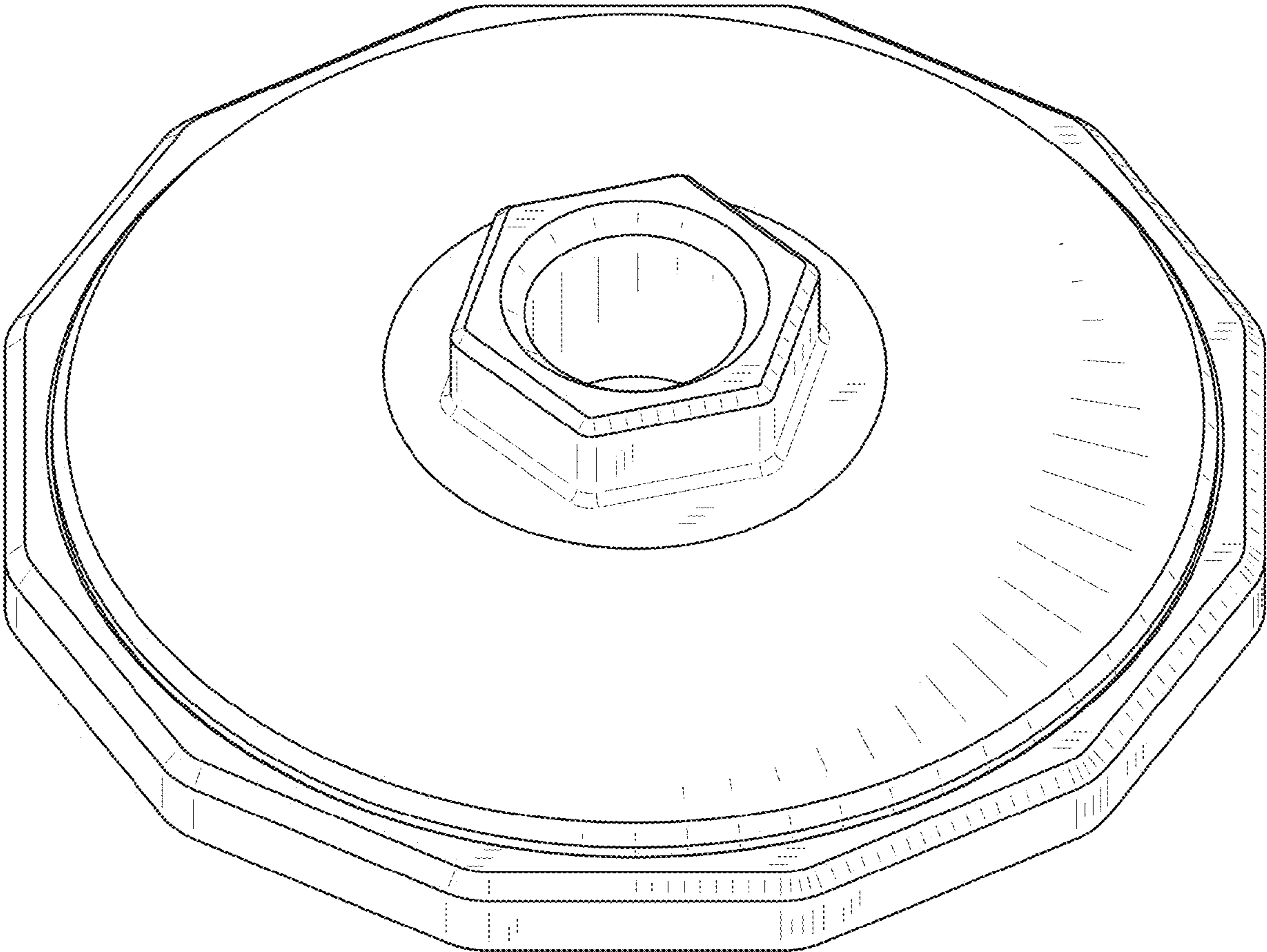


FIG. 1

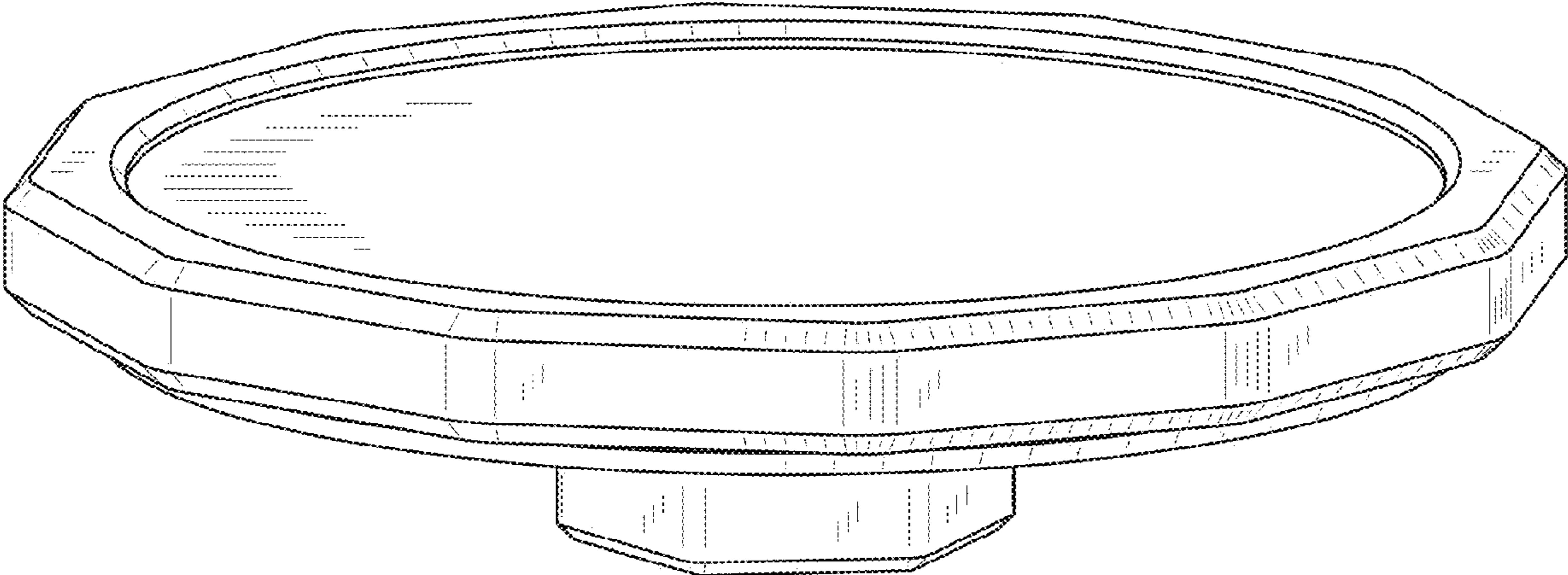


FIG. 2

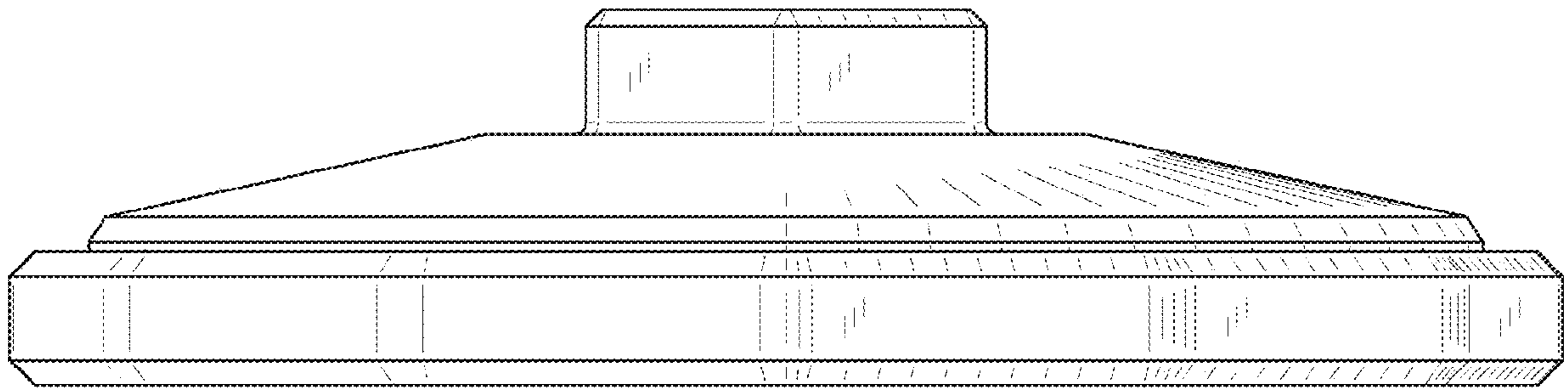


FIG. 3

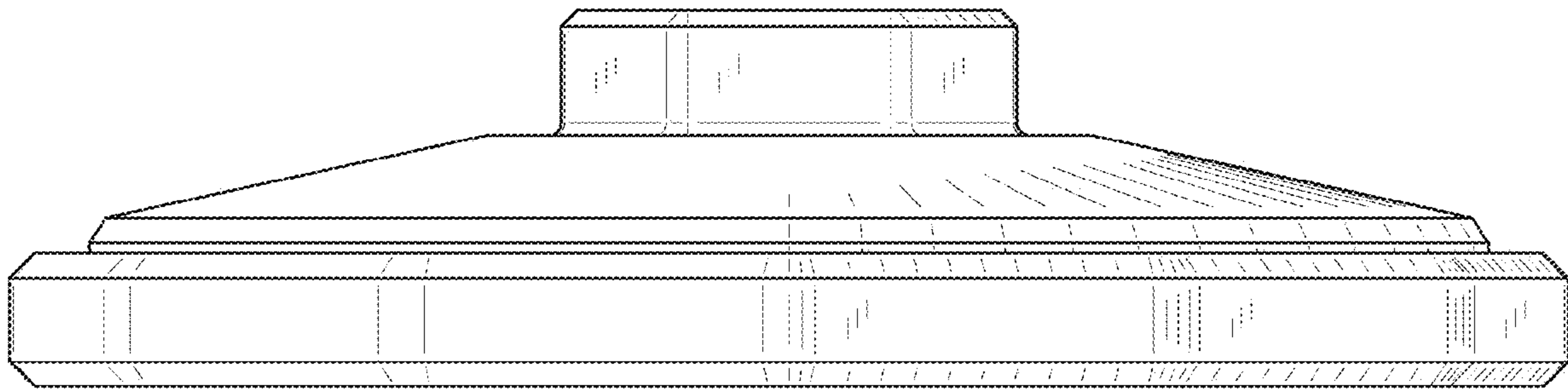


FIG. 4

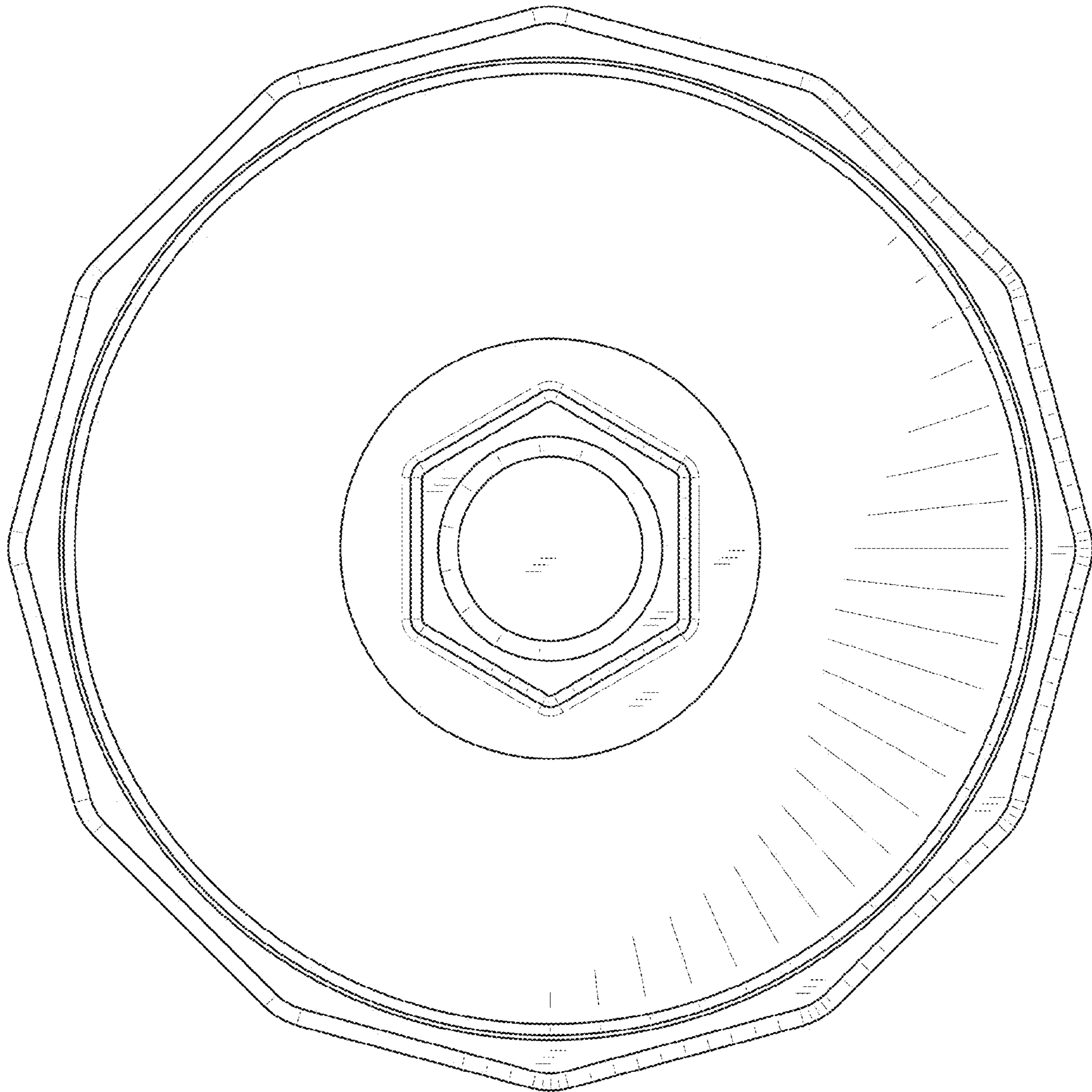


FIG. 5

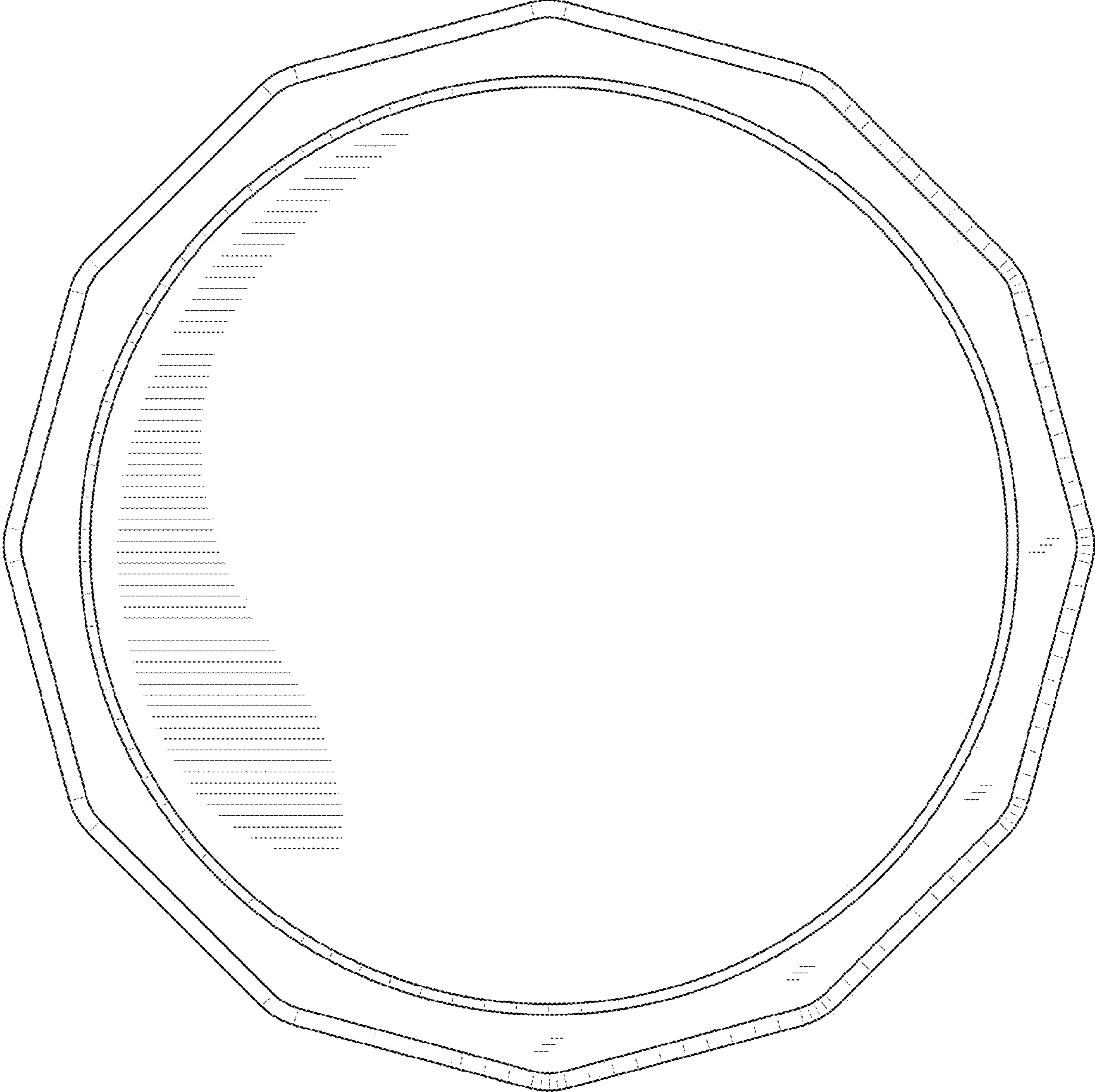


FIG. 6