



US00D877322S

(12) **United States Design Patent** (10) **Patent No.:** **US D877,322 S**
Jackson et al. (45) **Date of Patent:** **** Mar. 3, 2020**

(54) **FLIP-TOP METERED-DOSE INHALER**

OTHER PUBLICATIONS

(71) Applicant: **Optimist Inhaler, LLC**, Flowery Branch, GA (US)

Mhealthspot, <http://mhealthspot.com/2016/02/adherium-smart-inhalers-multicountry-study>, Mar. 18, 2017.

(Continued)

(72) Inventors: **David N Jackson**, Flowery Branch, GA (US); **Russell M Smith**, Flowery Branch, GA (US)

Primary Examiner — Lilyana Bekic

(74) *Attorney, Agent, or Firm* — Mehrman Law Office; Michael J. Mehrman

(73) Assignee: **Optimist Inhaler, LLC**, Gainesville, GA (US)

(57) **CLAIM**

The ornamental design for a flip-top metered-dose inhaler, as shown and described.

(**) Term: **15 Years**

DESCRIPTION

(21) Appl. No.: **29/696,915**

FIG. 1 is a right side, front, and top perspective view of a flip-top metered-dose inhaler with its flip cover closed showing the new design.

(22) Filed: **Aug. 3, 2019**

FIG. 2 is a right side, front, and top perspective view thereof with its flip cover open.

(51) **LOC (12) Cl.** **29-02**

(52) **U.S. Cl.**

USPC **D24/110**

FIG. 3 is a top plan view thereof with its flip cover closed.

(58) **Field of Classification Search**

USPC D24/108, 110, 110.5, 164, 127

CPC A61M 15/009; A61M 2202/064; A61M

15/0065; A61M 15/00; A61M 15/008;

A61M 15/0068; A61M 15/0091; A61M

2205/3592; A61M 2205/3553; A61M

15/0021; A61M 15/0025; A61M 15/0026

See application file for complete search history.

FIG. 4 is a top plan view thereof with its flip cover open.

FIG. 5 is a bottom plan view thereof with its flip cover closed.

FIG. 6 is a bottom plan view thereof with its flip cover open.

FIG. 7 is a front elevational view thereof with its flip cover closed.

FIG. 8 is a front elevational view thereof with its flip cover open.

FIG. 9 is a right side elevational view thereof with its flip cover closed.

FIG. 10 is a right side elevational view thereof with its flip cover open.

FIG. 11 is a rear elevational view thereof with its flip cover closed; and,

FIG. 12 is a rear elevational view thereof with its flip cover open.

The broken lines in the drawings depict portions of the flip-top metered-dose inhaler that form no part of the claimed design.

(56) **References Cited**

U.S. PATENT DOCUMENTS

D348,929 S * 7/1994 Paton D24/110

D473,640 S * 4/2003 Cuffaro D24/110

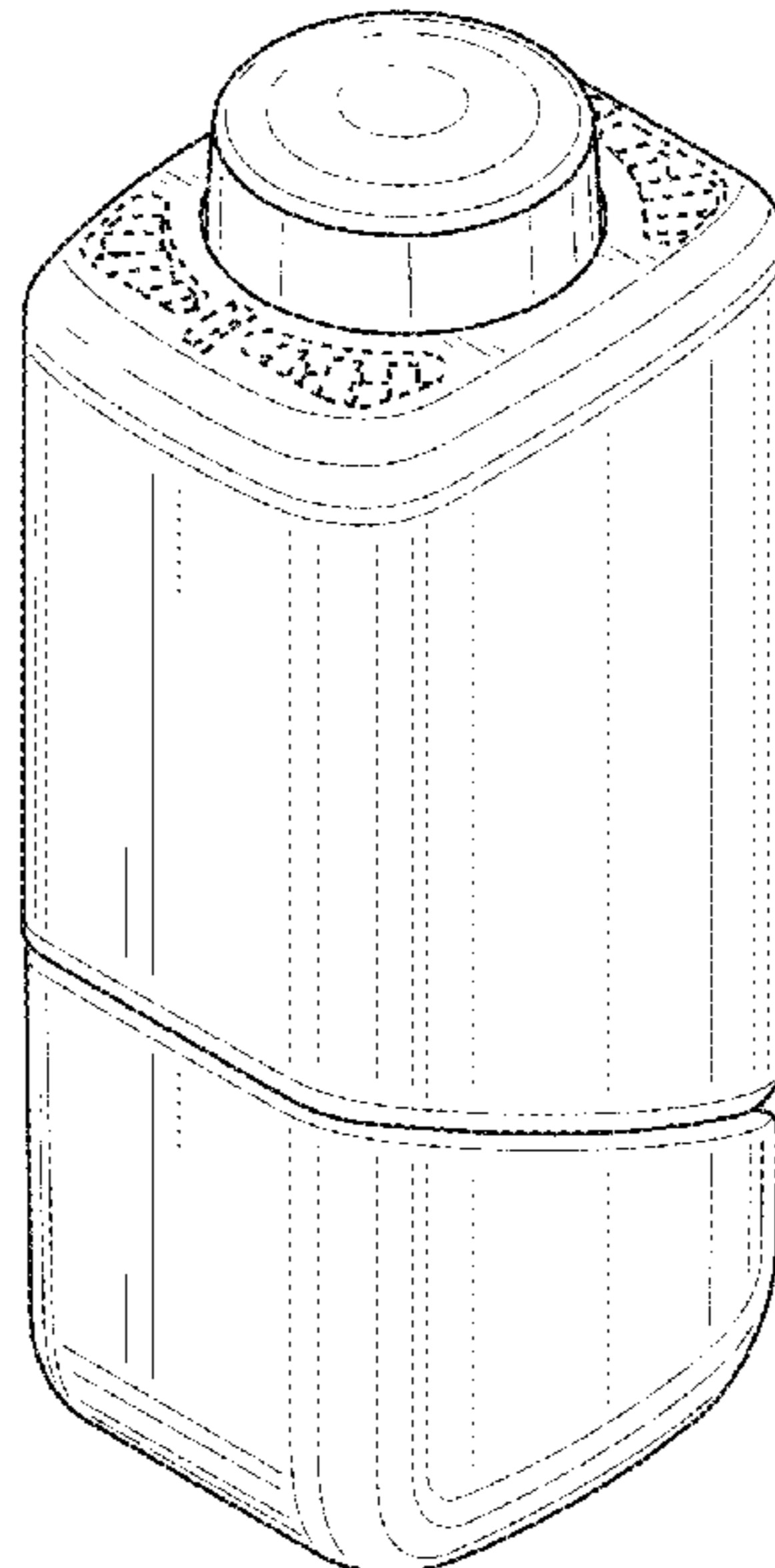
(Continued)

FOREIGN PATENT DOCUMENTS

WO WO2016187156 A1 11/2016

WO WO2017182975 A1 10/2017

1 Claim, 5 Drawing Sheets



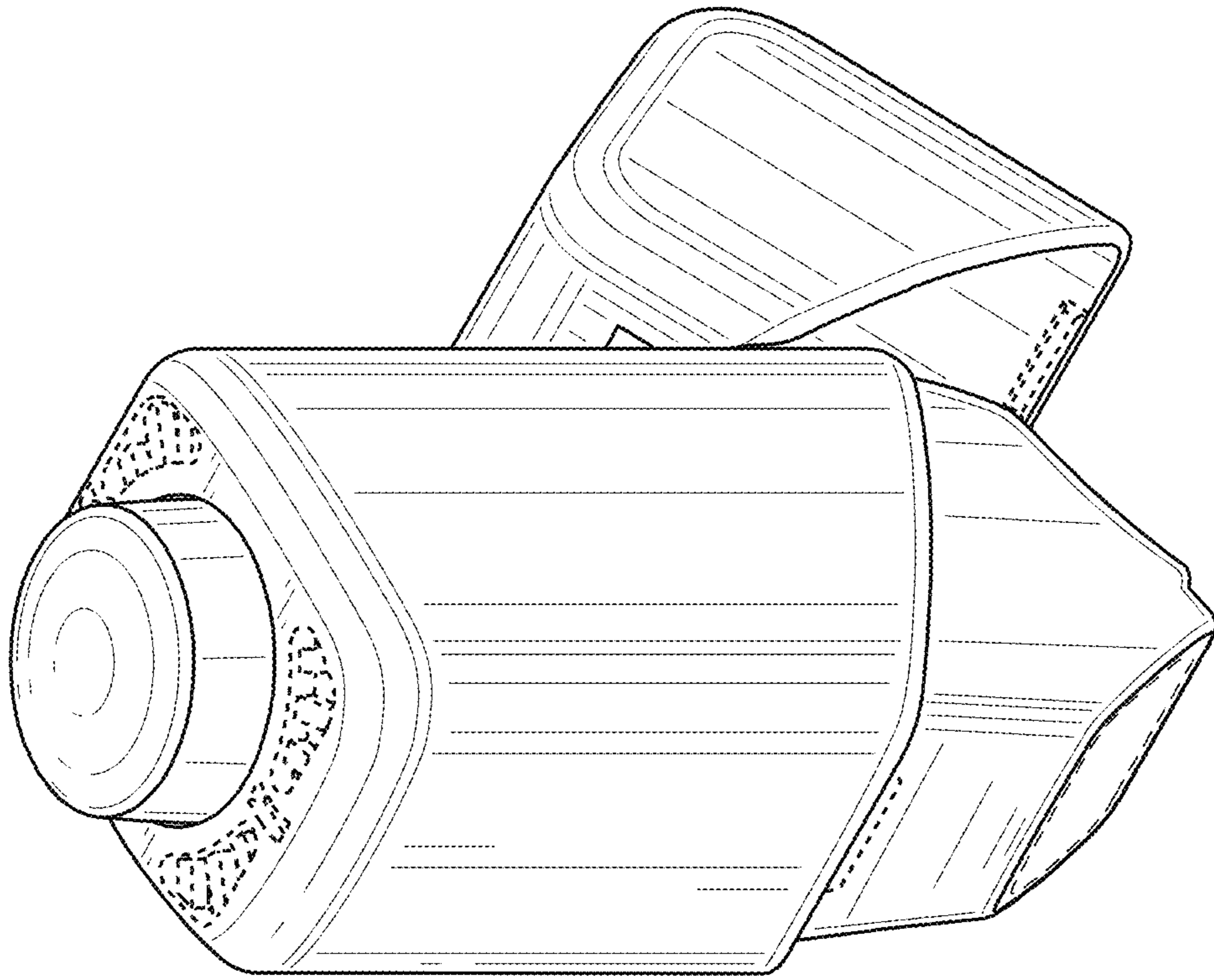


Fig. 1

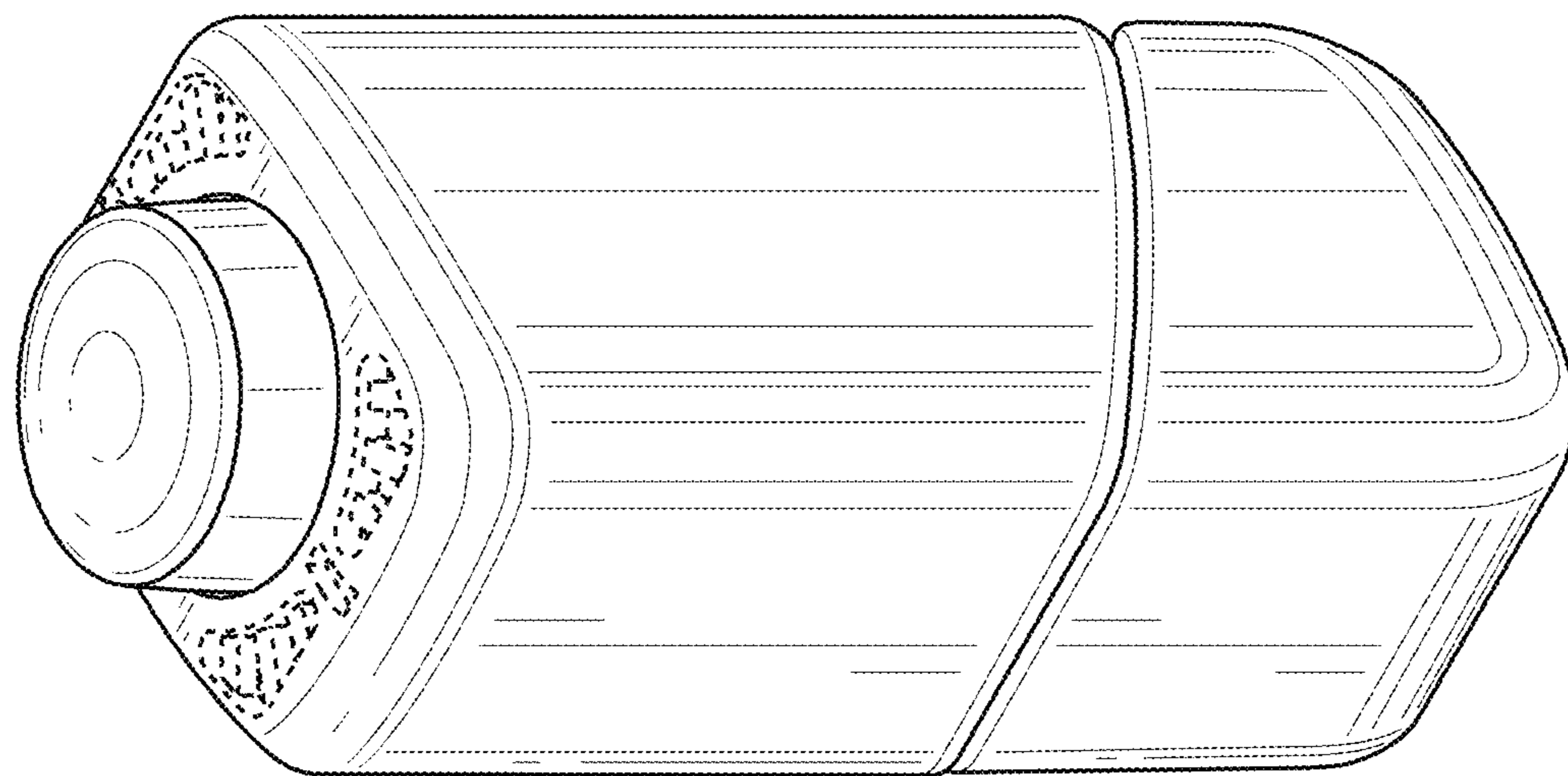


Fig. 2

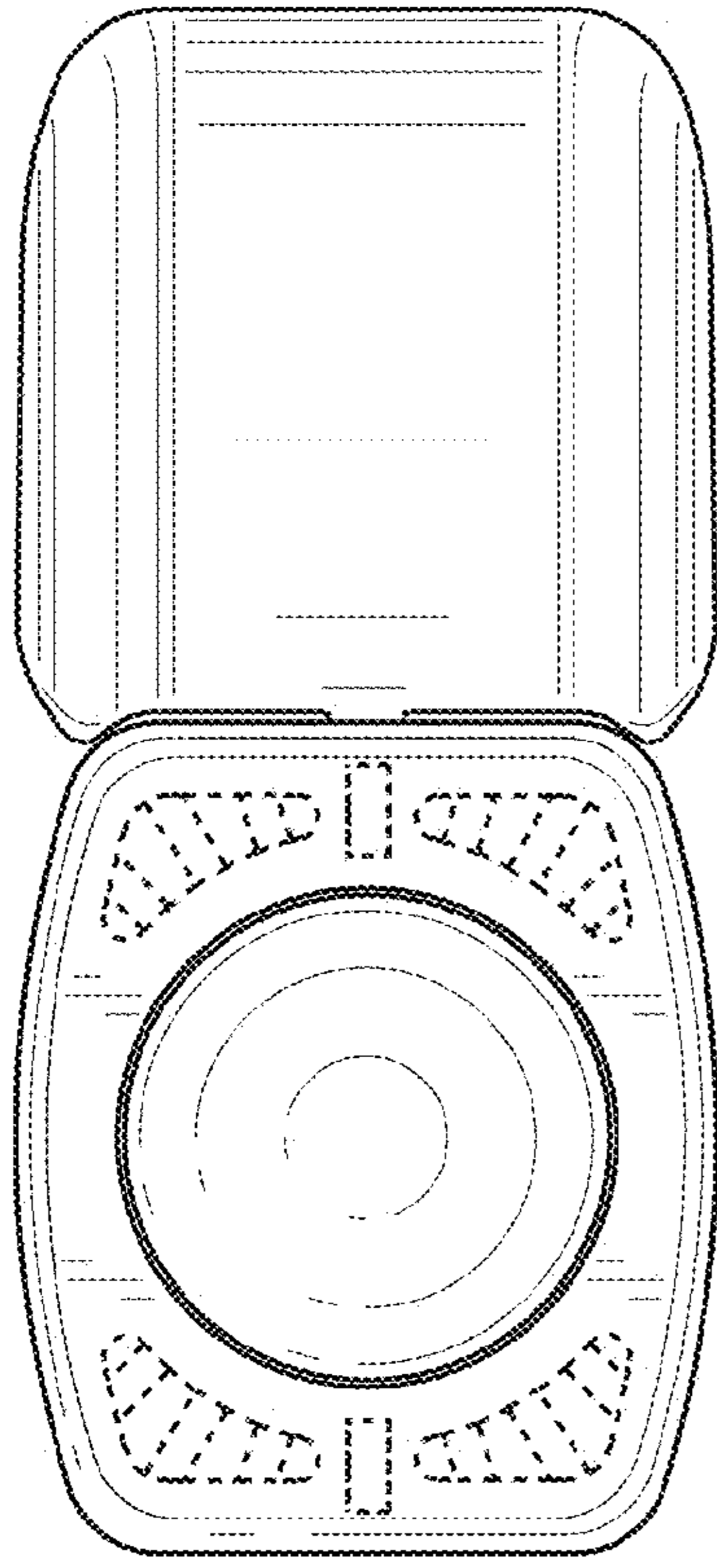


Fig. 4

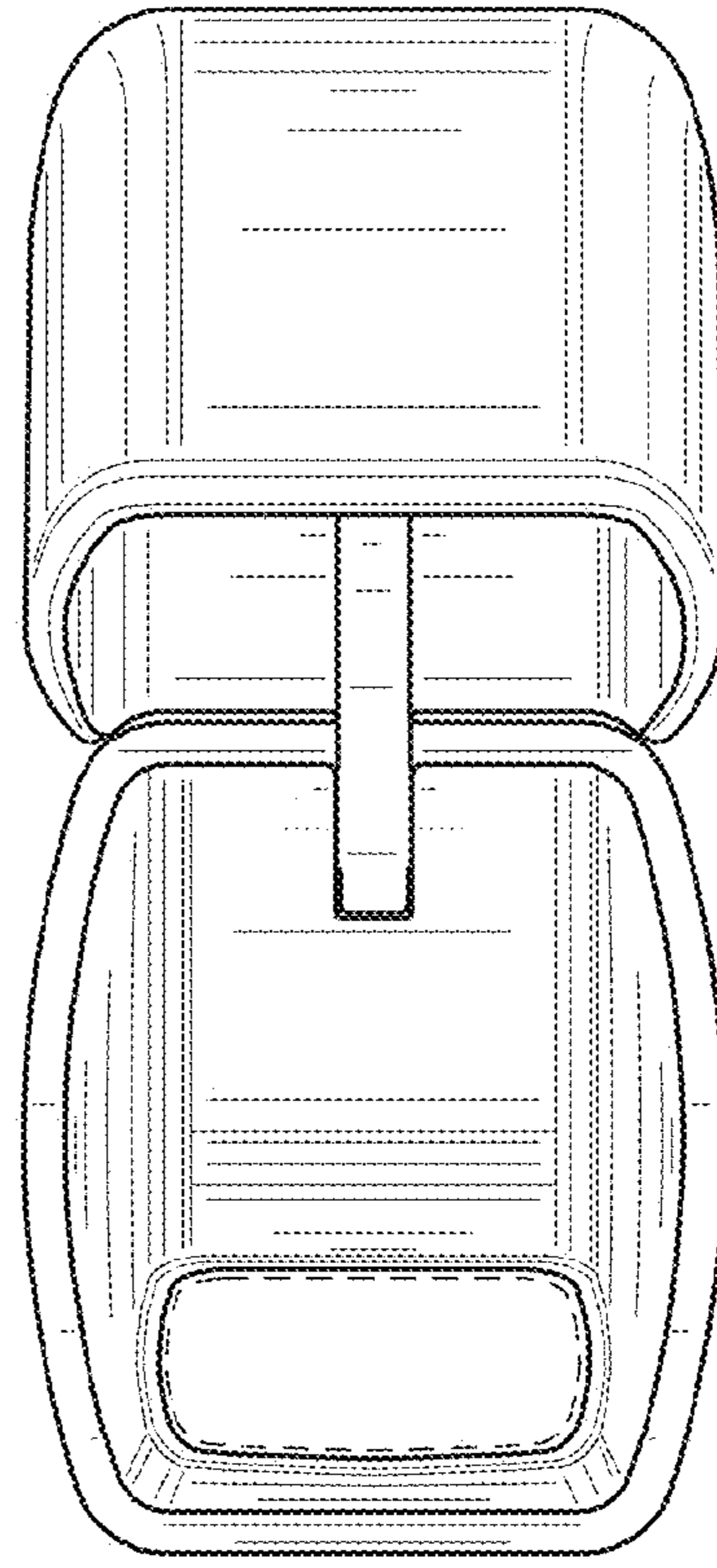


Fig. 6

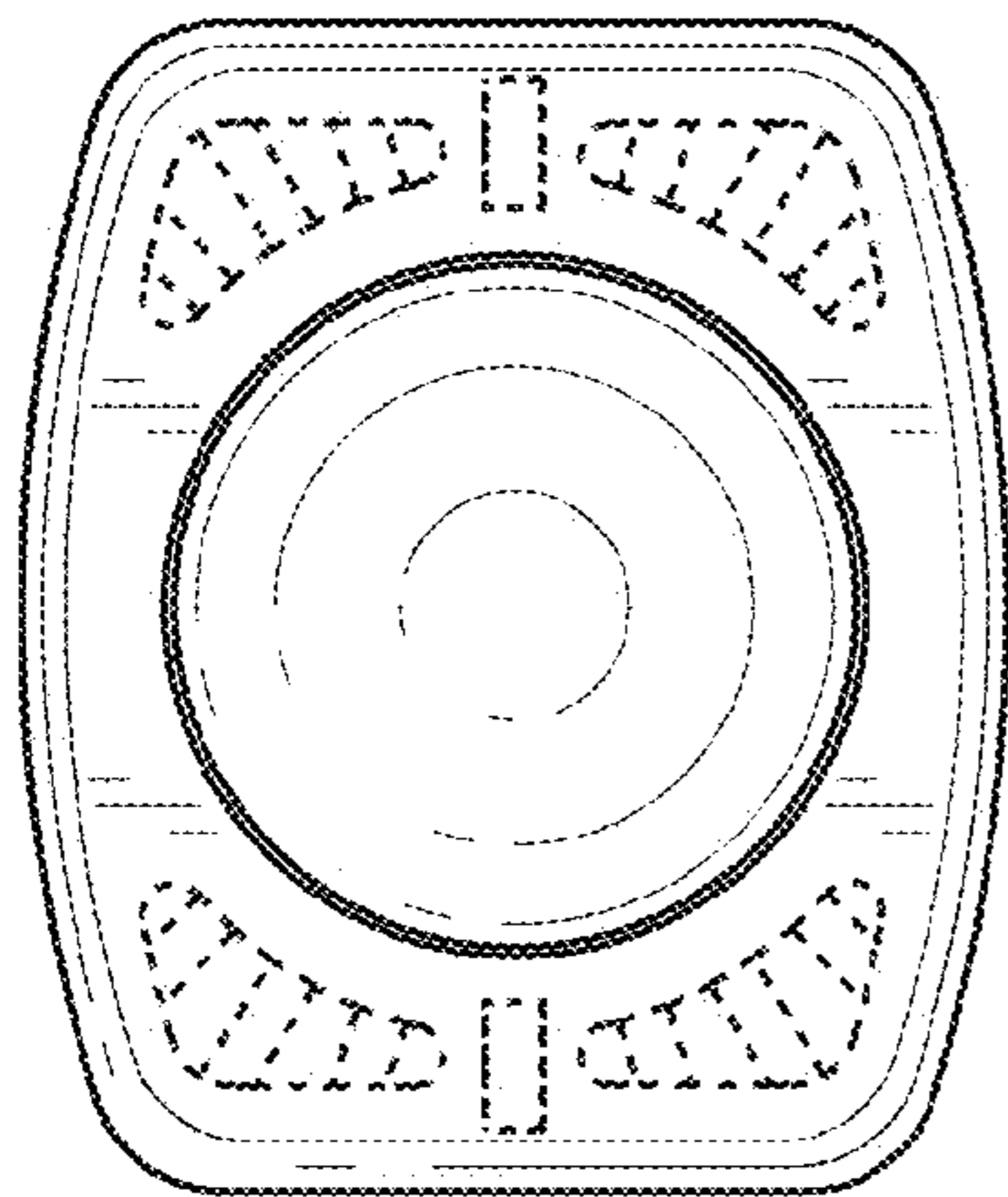


Fig. 3

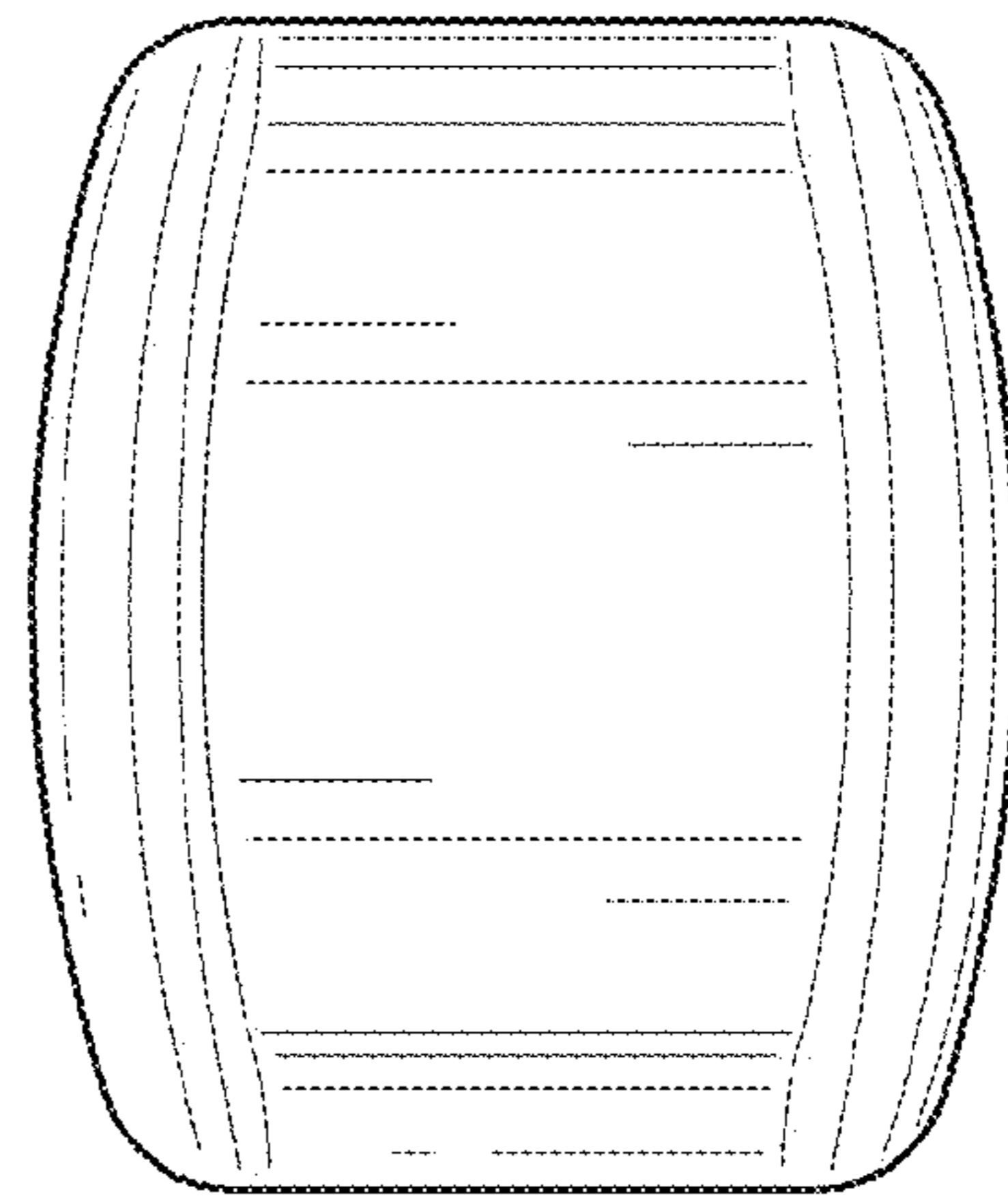


Fig. 5

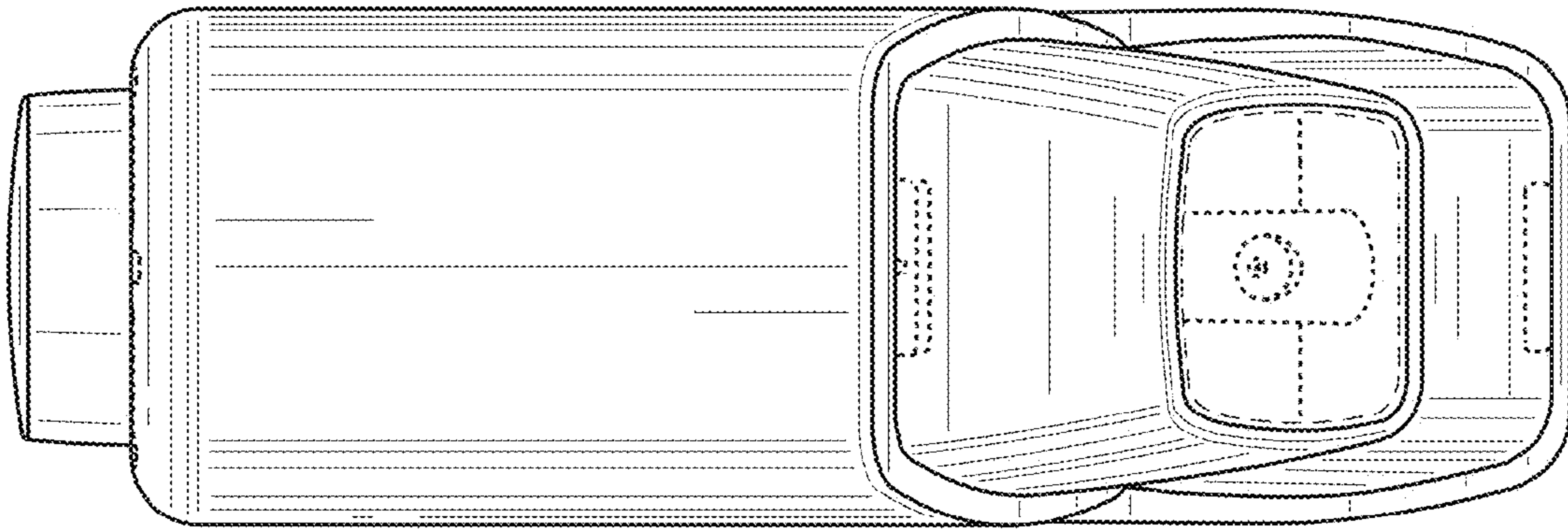


Fig. 8

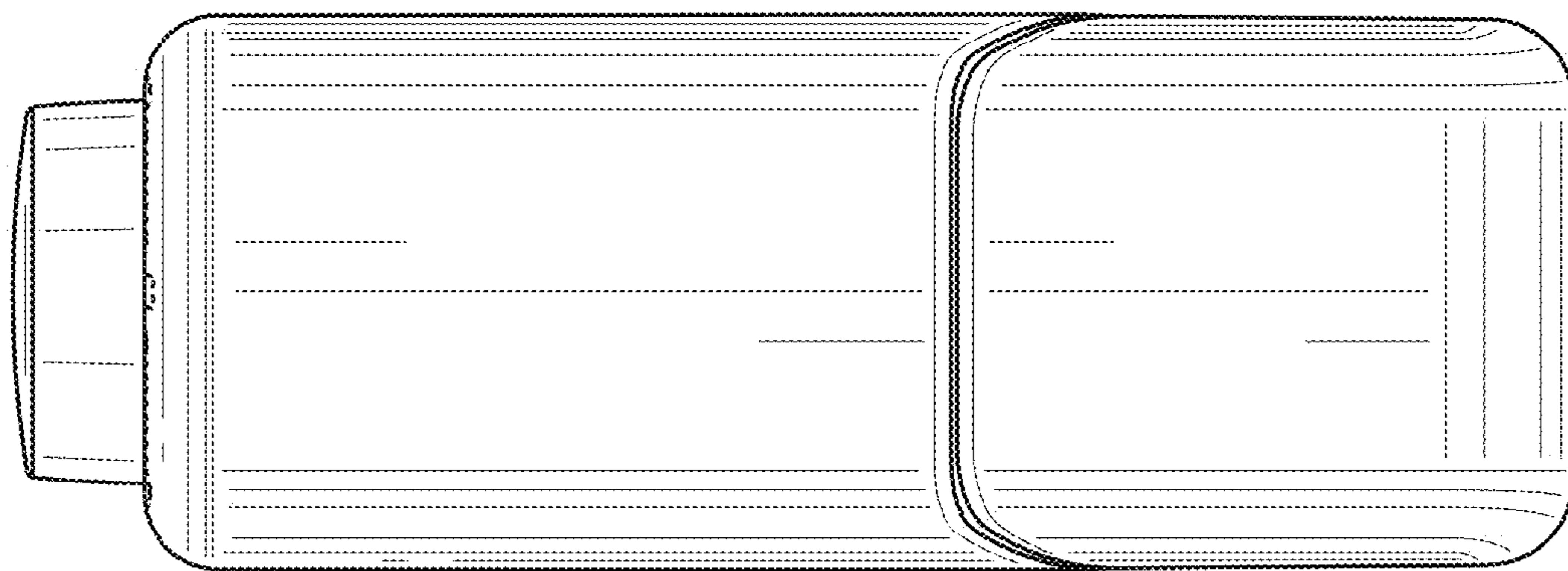


Fig. 7

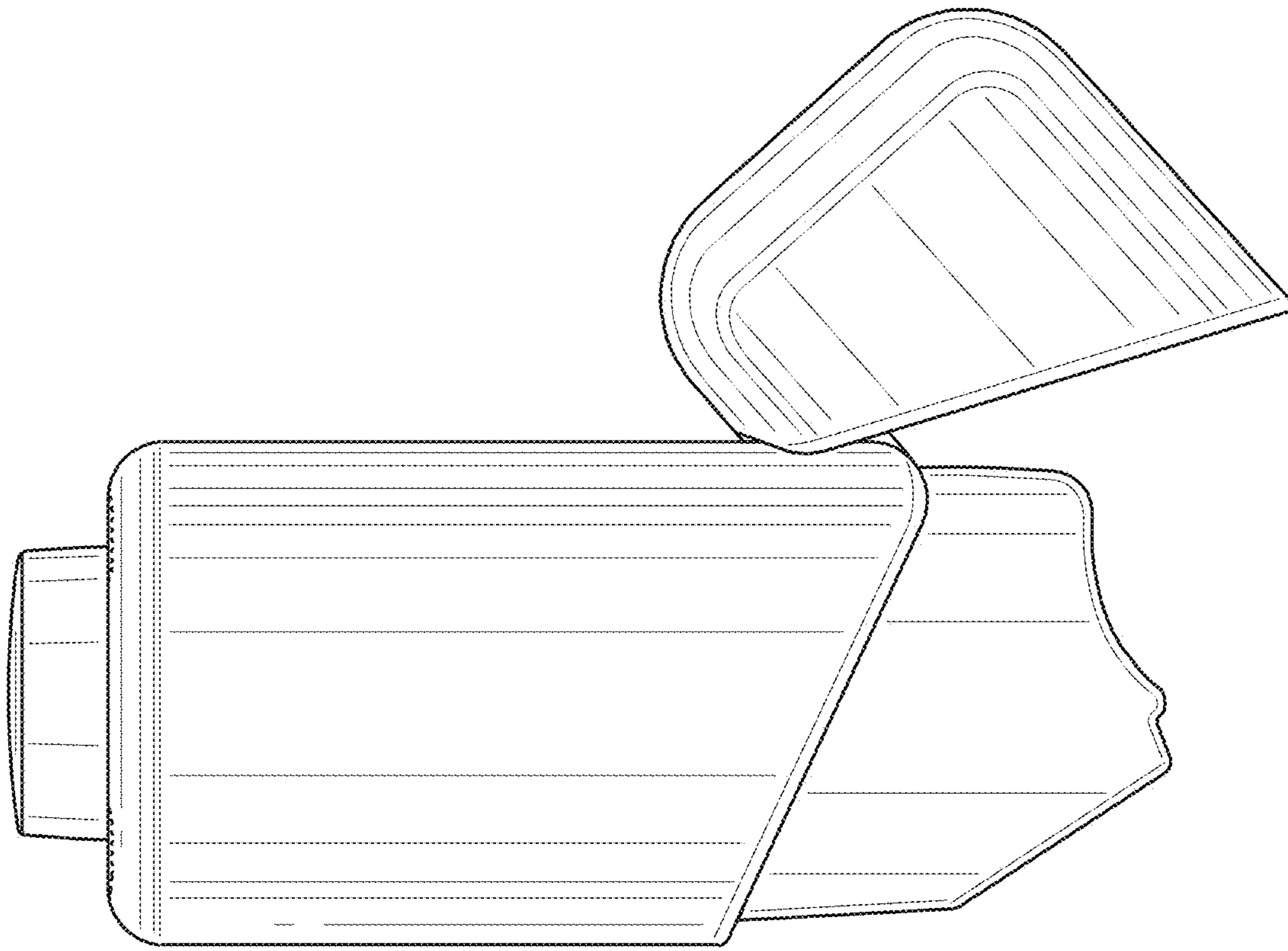


Fig. 9

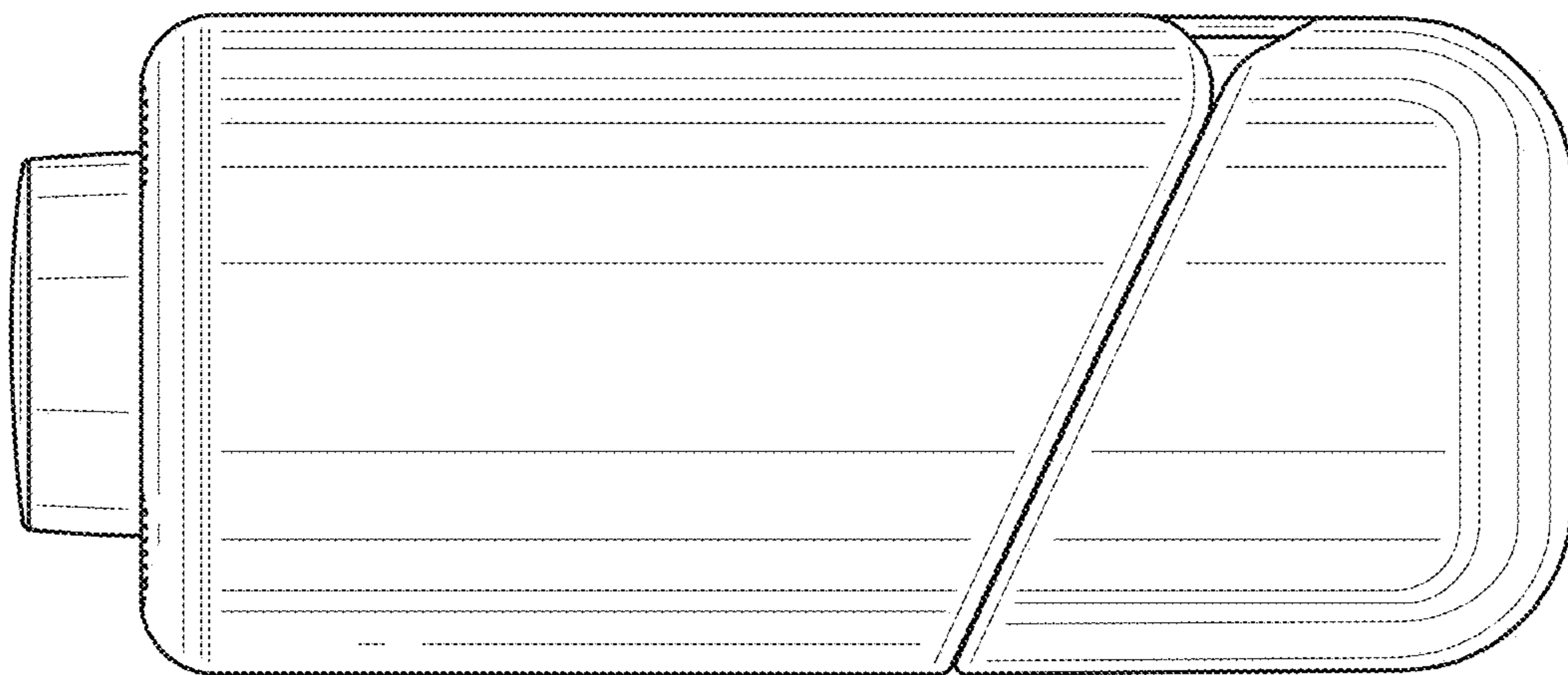


Fig. 10

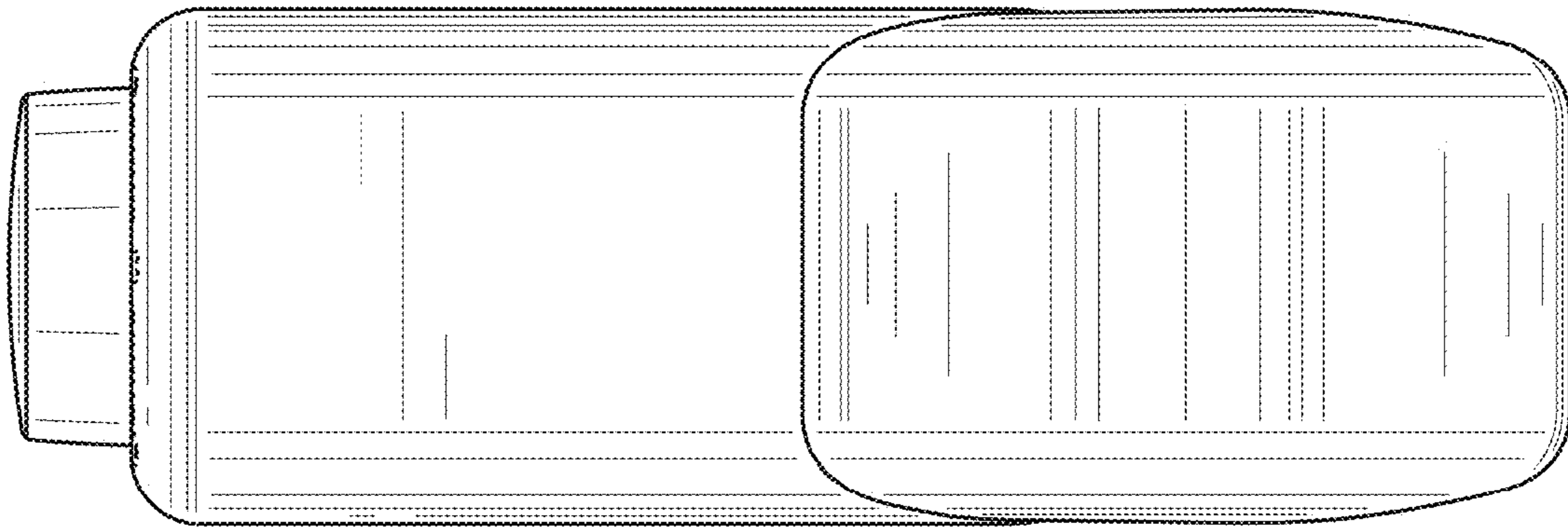


Fig. 12

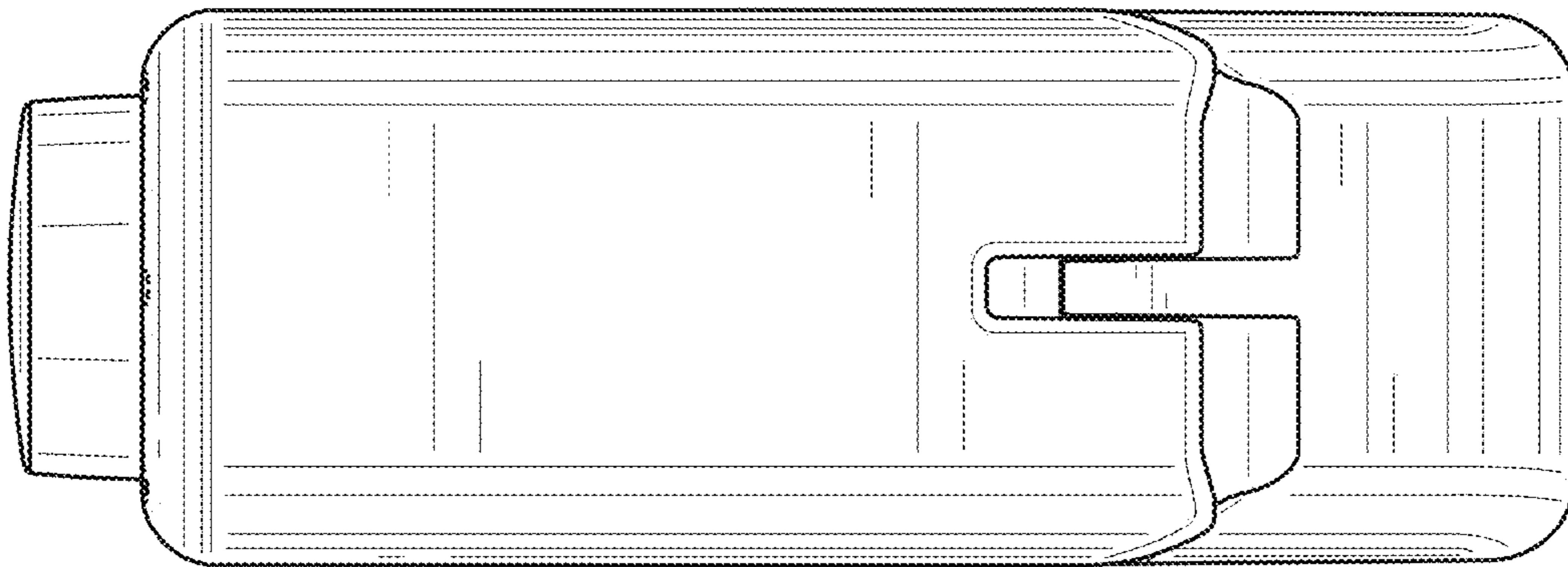


Fig. 11