



US00D877321S

(12) **United States Design Patent**
DiMatteo et al.

(10) **Patent No.:** **US D877,321 S**
(45) **Date of Patent:** **** Mar. 3, 2020**

(54) **CPAP GENERATOR COVER**

(71) Applicant: **KONINKLIJKE PHILIPS N.V.**,
Eindhoven (NL)
(72) Inventors: **Mark William DiMatteo**, Irwin, PA
(US); **Ralph Kopacko**, Monroeville, PA
(US)

(73) Assignee: **KONINKLIJKE PHILIPS N.V.**,
Eindhoven (NL)

(**) Term: **15 Years**

(21) Appl. No.: **29/594,705**

(22) Filed: **Feb. 22, 2017**

(51) **LOC (12) Cl.** **29-02**

(52) **U.S. Cl.**
USPC **D24/110**

(58) **Field of Classification Search**
USPC D24/107, 108, 110.1–110.6, 127, 162,
D24/164, 185, 110; 128/200.14, 200.21,
128/200.24, 203.12, 204.18
CPC .. A61M 16/00; A61M 16/16; A61M 16/0063;
A61M 16/0057; A61M 16/0066; A61B
5/08; A62B 7/00
See application file for complete search history.

(56) **References Cited**

U.S. PATENT DOCUMENTS

D427,675 S * 7/2000 Hansel D24/110
D493,520 S * 7/2004 Bertinetti D24/110

D493,884 S * 8/2004 Virr D24/110
D498,528 S * 11/2004 Van Brunt D24/110
D504,945 S * 5/2005 Van Brunt D24/110
D555,235 S * 11/2007 Korkowski D23/356
D659,235 S * 5/2012 Bertinetti D24/110
D740,930 S * 10/2015 Pipe D24/108
D759,804 S * 6/2016 Singh D24/108
2008/0251075 A1 * 10/2008 Scarberry A61B 5/087
128/204.18

* cited by examiner

Primary Examiner — Lilyana Bekic
Assistant Examiner — Aula Soroush

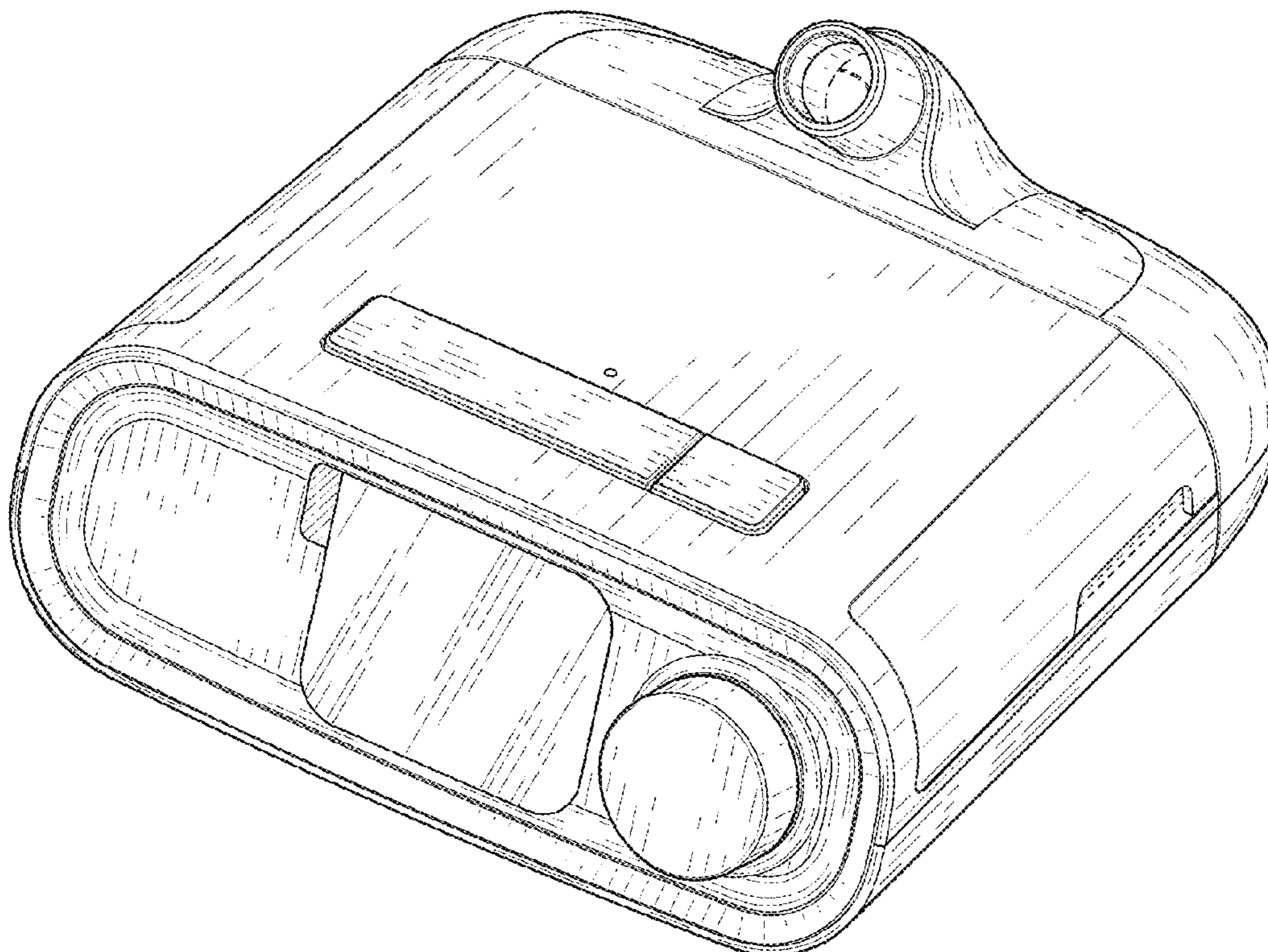
(57) **CLAIM**

We claim the ornamental design for a CPAP generator cover,
as shown and described.

DESCRIPTION

FIG. 1 is a perspective view of a CPAP generator cover
showing our design:
FIG. 2 is a front elevational view thereof;
FIG. 3 is a rear elevational view thereof;
FIG. 4 is a right side elevational view thereof;
FIG. 5 is a left side elevational view thereof;
FIG. 6 is a top plan view thereof; and,
FIG. 7 is a bottom plan view thereof.
The broken lines in the drawings depict portions of the
CPAP generator cover that form no part of the claimed
design.

1 Claim, 5 Drawing Sheets



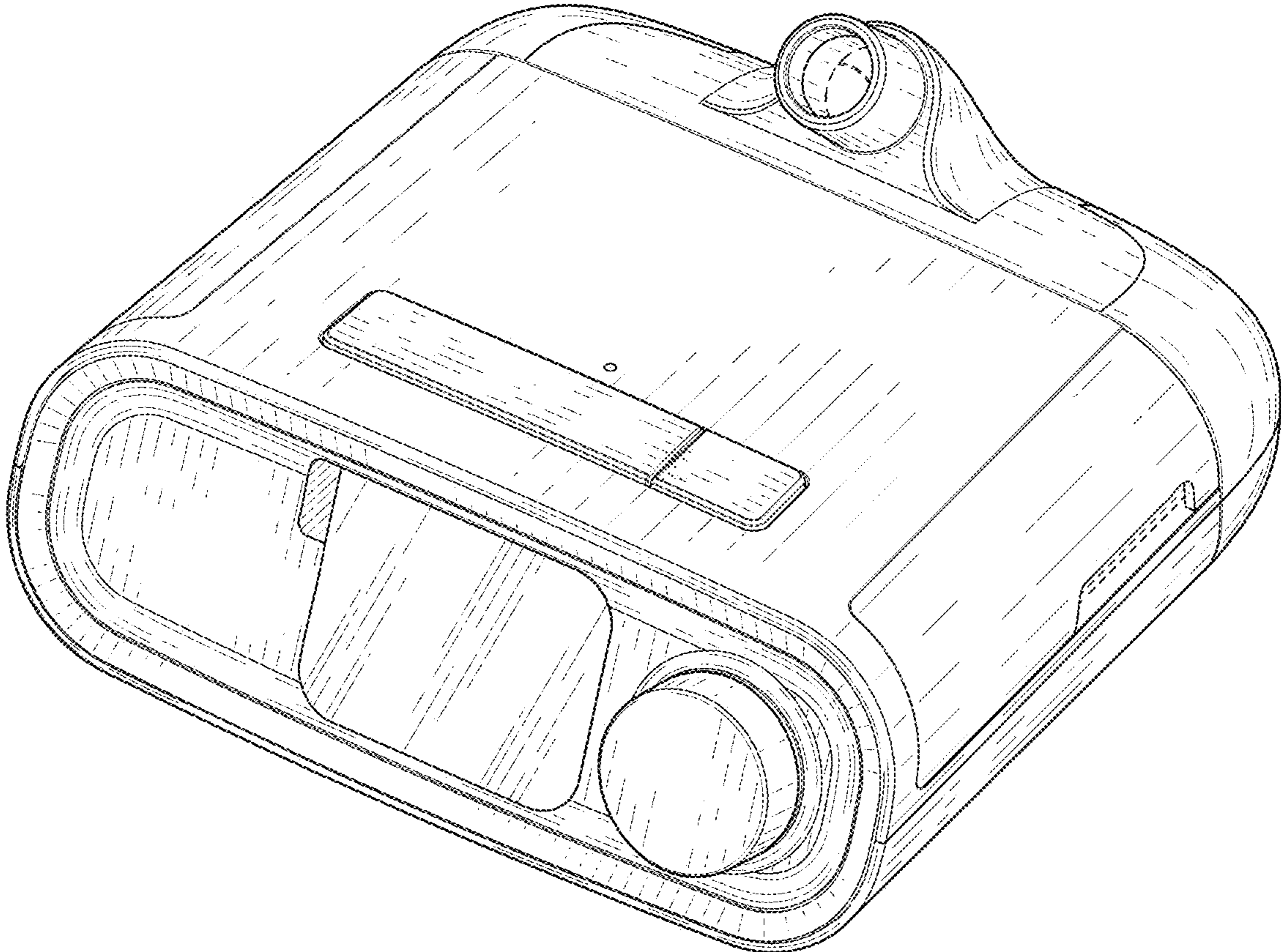


FIG. 1

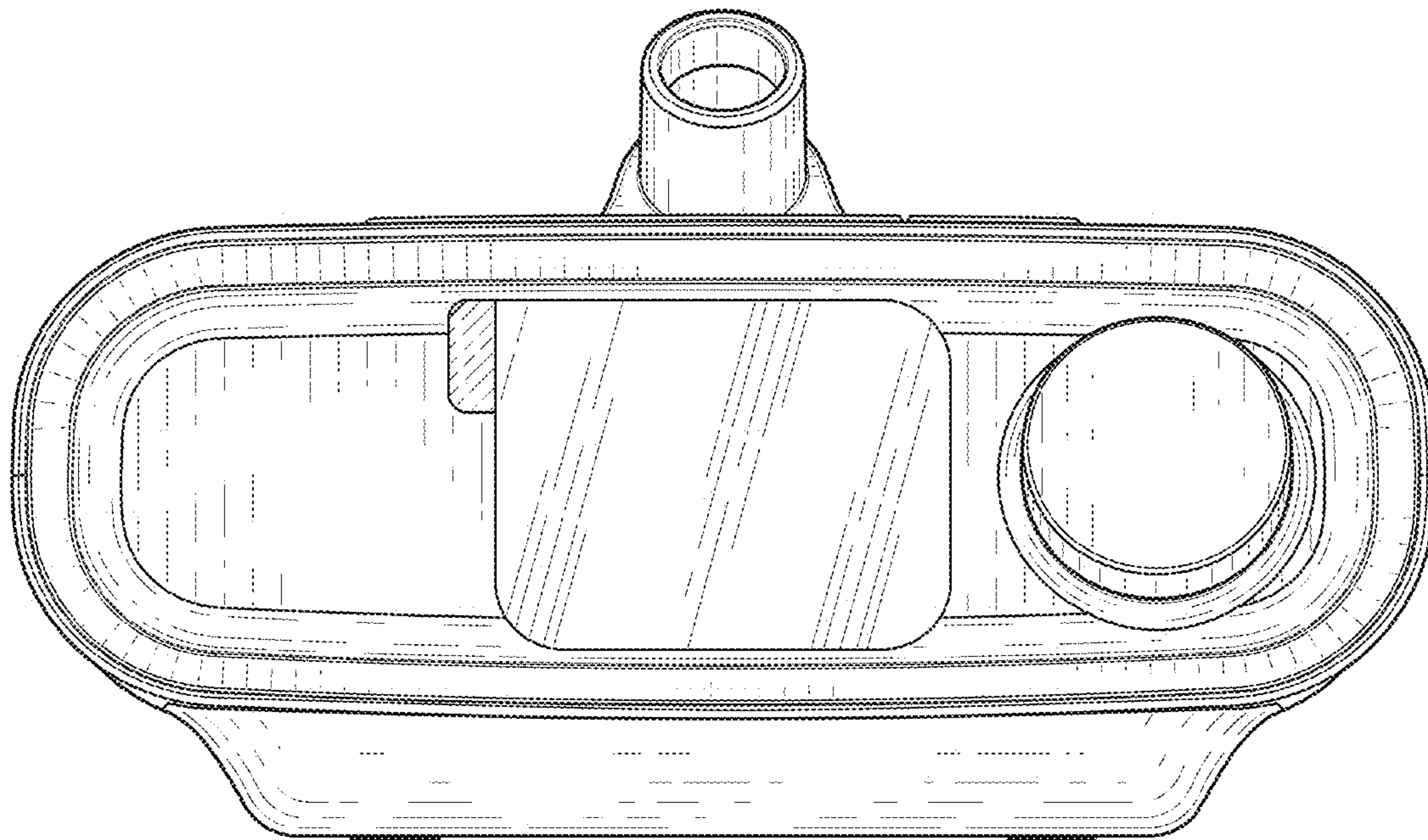


FIG. 2

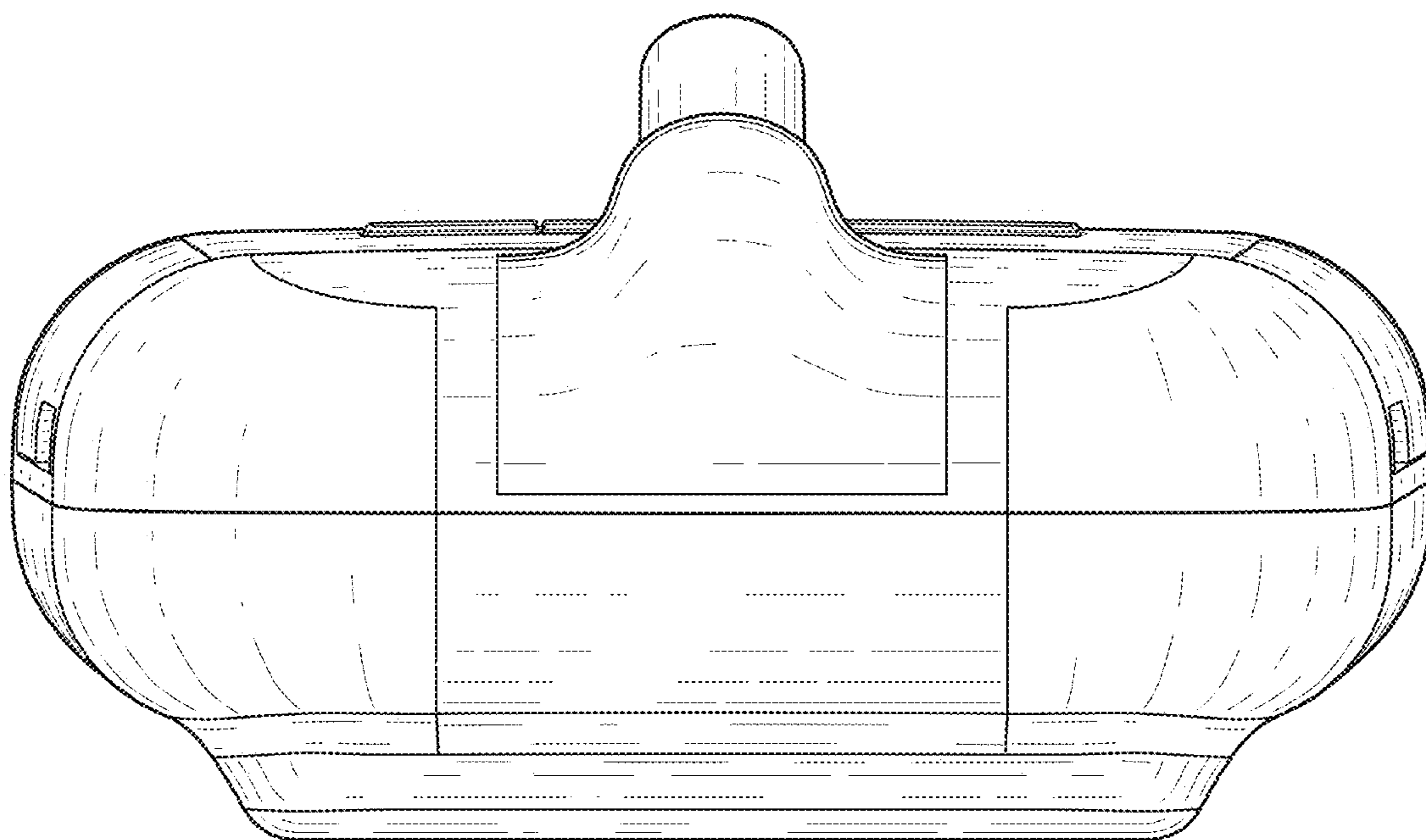


FIG. 3

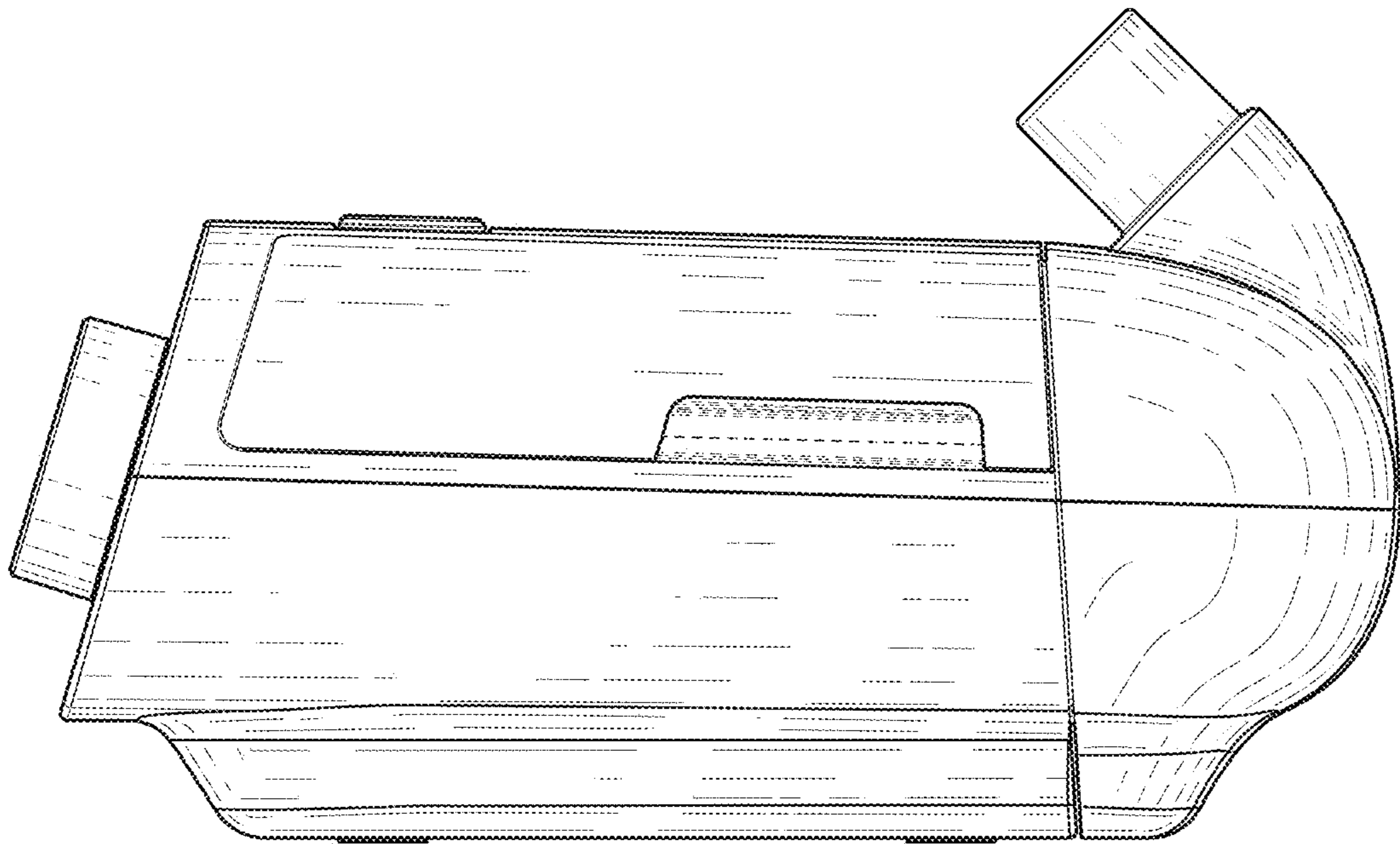


FIG. 4

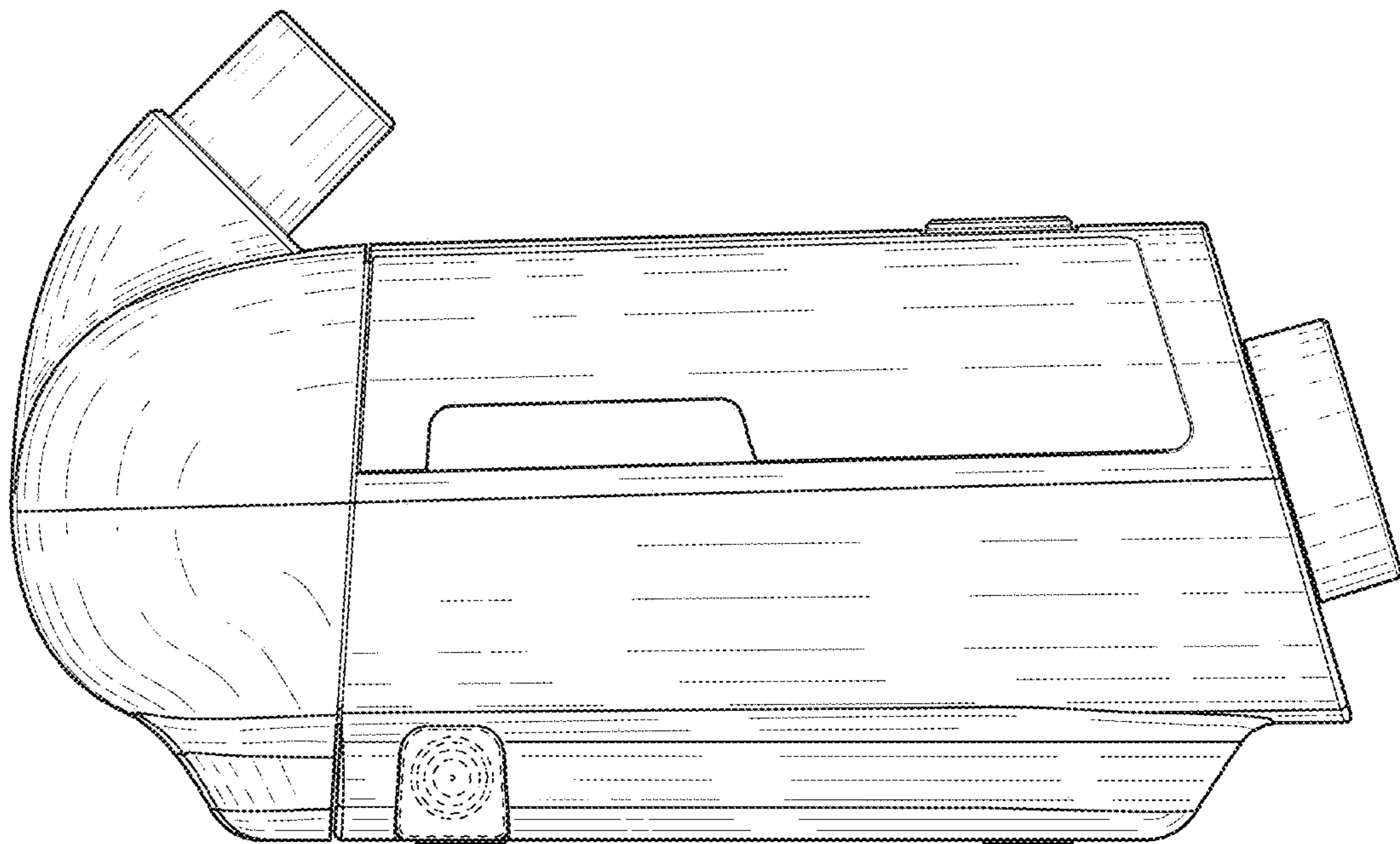


FIG. 5

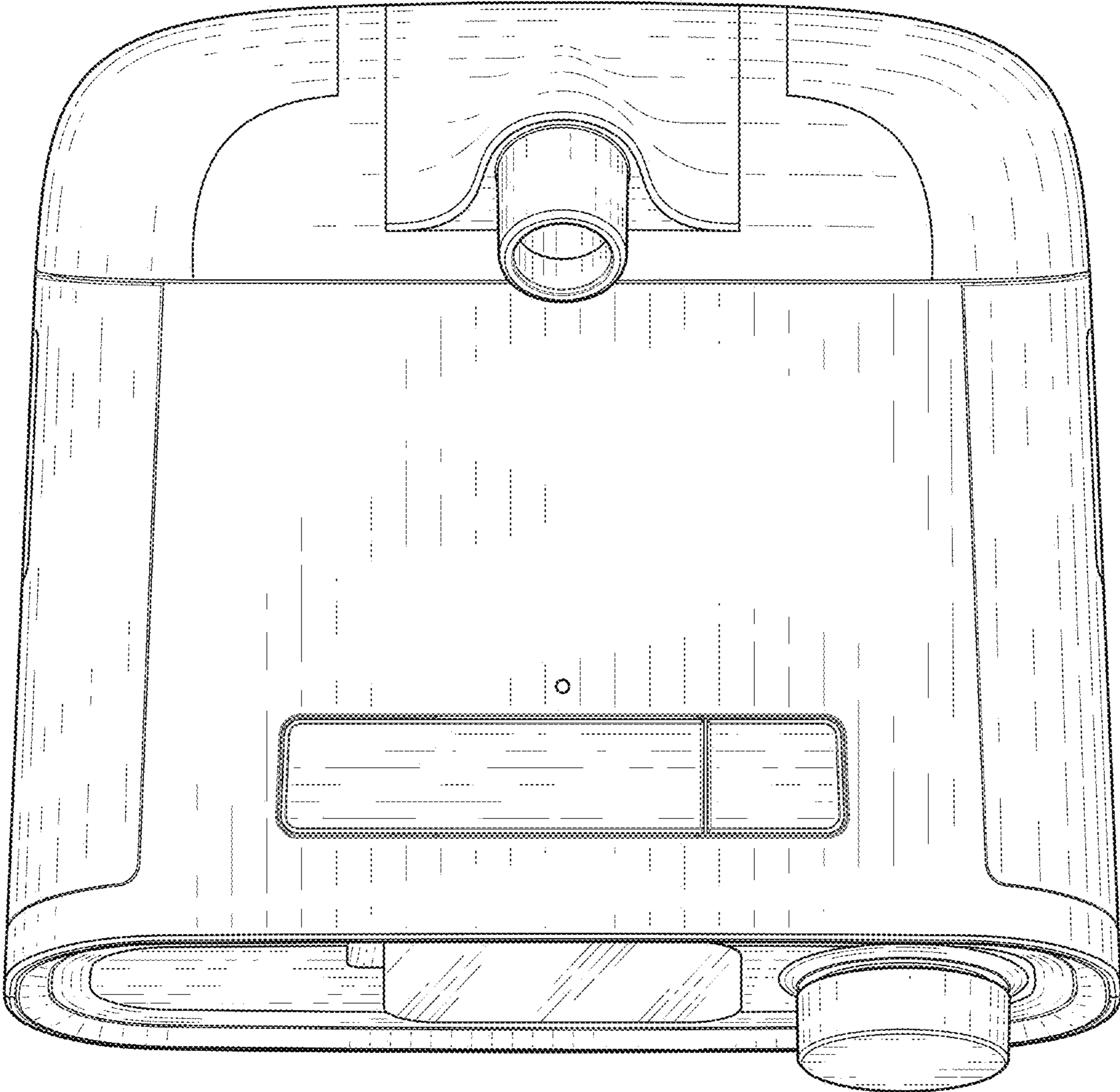


FIG. 6

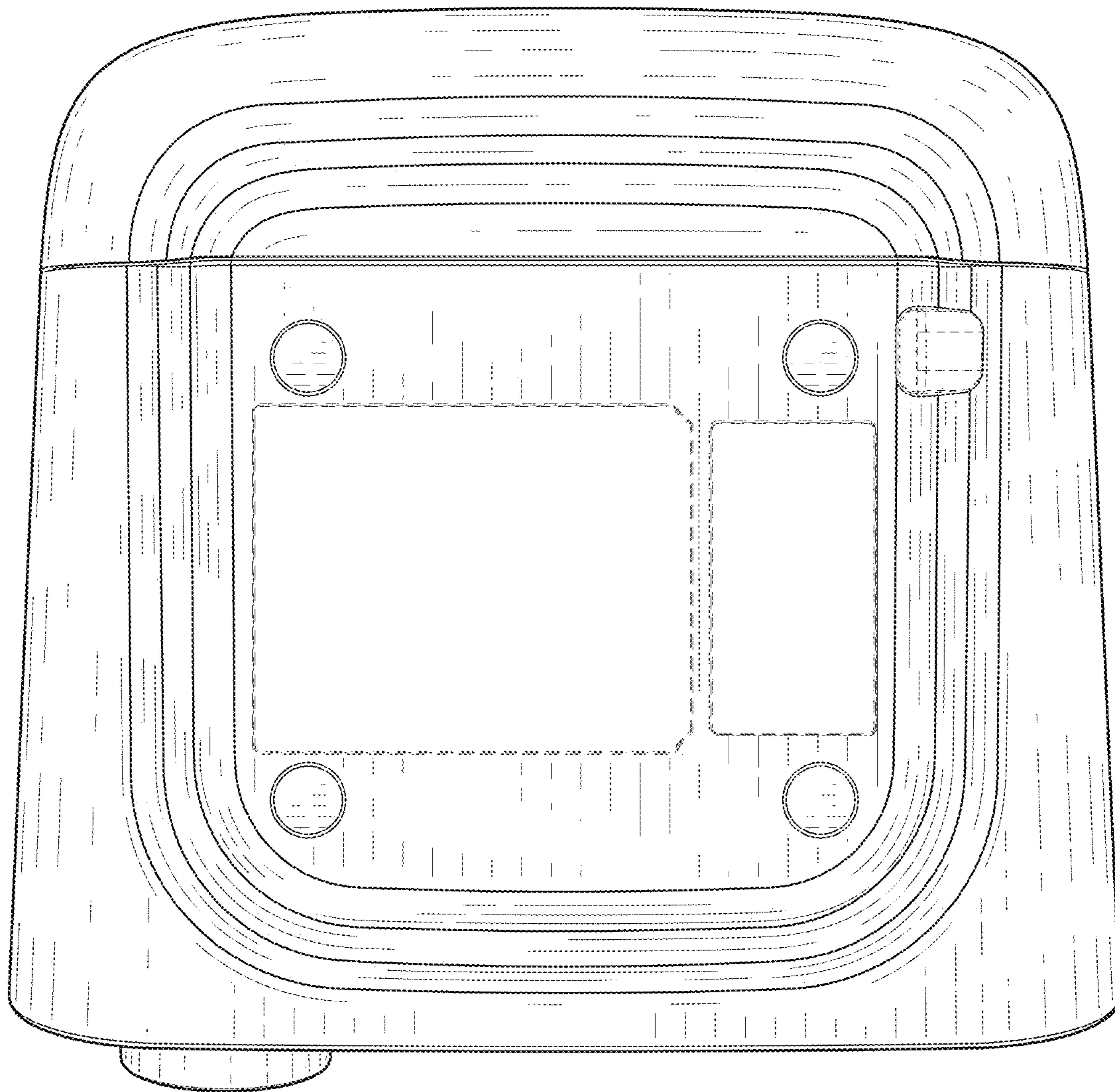


FIG. 7