



US00D877320S

(12) **United States Design Patent** (10) **Patent No.:** **US D877,320 S**  
**Pickett** (45) **Date of Patent:** **\*\* Mar. 3, 2020**

(54) **CEILING FAN BLADE AND FAN BLADE BRACKET COMBINATION**

2009/0129974 A1\* 5/2009 McEllen ..... A61L 9/205  
422/24

(71) Applicant: **YOUNGO LIMITED**, Central (HK)

\* cited by examiner

(72) Inventor: **Mark Pickett**, Altadena, CA (US)

*Primary Examiner* — Cathron C Brooks

(73) Assignee: **YOUNGO LIMITED**, Central (HK)

*Assistant Examiner* — Sharon S Oum

(\*\*) Term: **15 Years**

(74) *Attorney, Agent, or Firm* — Muncy, Geissler, Olds & Lowe, P.C.

(21) Appl. No.: **29/660,697**

(57) **CLAIM**

The ornamental design for a ceiling fan blade and a fan blade bracket combination, as shown and described.

(22) Filed: **Aug. 22, 2018**

**DESCRIPTION**

(51) **LOC (12) Cl.** ..... **23-03**

(52) **U.S. Cl.**

USPC ..... **D23/413**; D23/411

(58) **Field of Classification Search**

USPC ..... D23/370–385, 411–414; D26/59;  
D12/214, 339, 344

CPC ..... F04D 25/088; F04D 29/38; F04D 29/384;  
F04D 29/386; F21V 33/0096

See application file for complete search history.

FIG. 1 is a perspective view of a ceiling fan blade and a fan blade bracket combination, showing the new design; FIG. 2 is an enlarged perspective view thereof; FIG. 3 is an enlarged front elevational view thereof; FIG. 4 is an enlarged rear elevational view thereof; FIG. 5 is an enlarged left side elevational view thereof; FIG. 6 is an enlarged right side elevational view thereof; FIG. 7 is an enlarged top plan view thereof; and, FIG. 8 is an enlarged bottom plan view thereof.

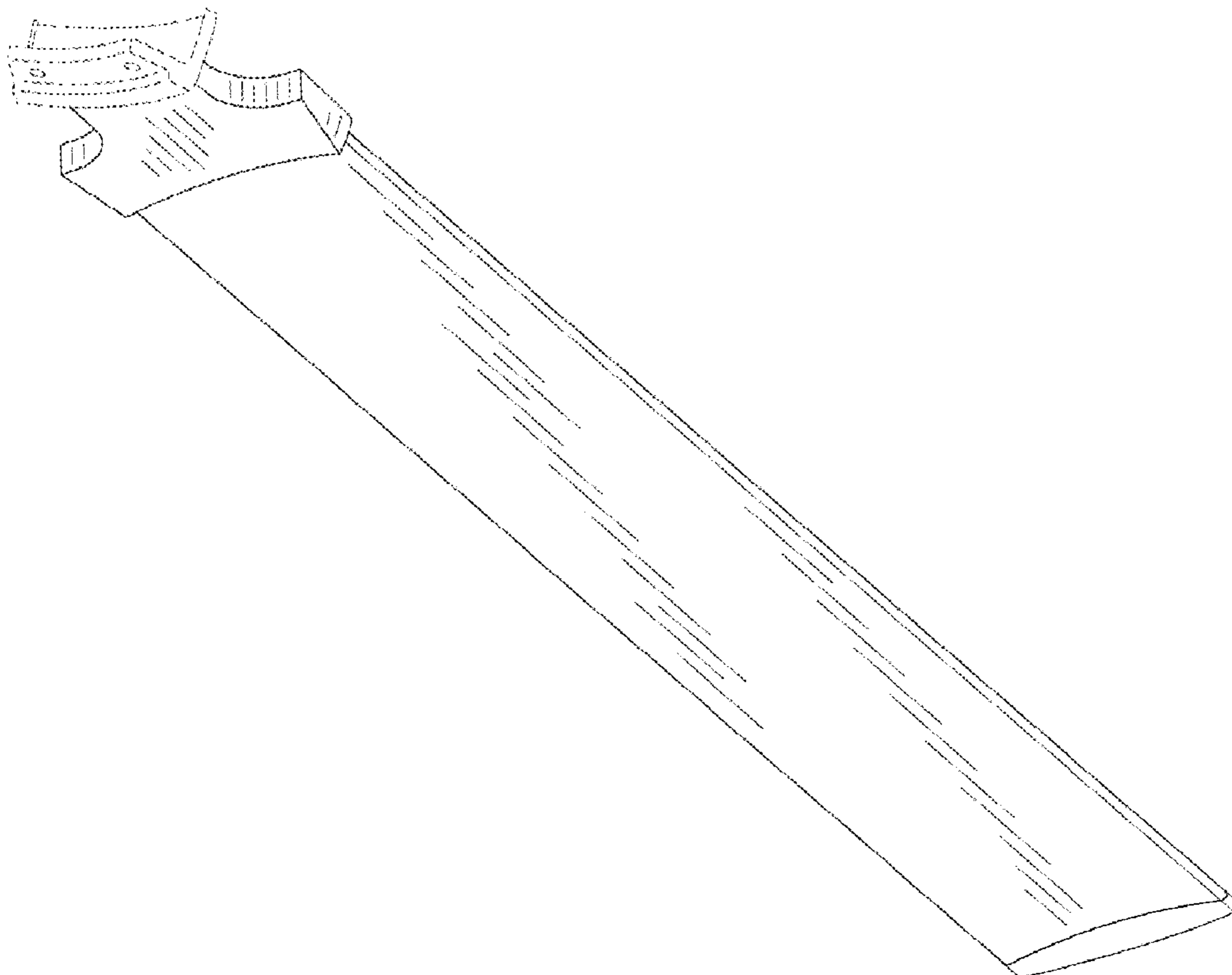
The broken line showing of a ceiling fan in FIG. 1 depicts the environment of the ceiling fan blade and fan blade bracket combination, and forms no part of the claimed design. The remaining broken lines depict portions of the ceiling fan blade and the fan blade bracket combination, and form no part of the claimed design.

(56) **References Cited**

**U.S. PATENT DOCUMENTS**

D603,955 S	*	11/2009	Patton	.....	D23/411
D707,336 S	*	6/2014	Pan	.....	D23/377
D832,990 S	*	11/2018	Schulzman	.....	D23/377
D834,696 S	*	11/2018	Schulzman	.....	D23/377
D850,603 S	*	6/2019	Wang	.....	D23/377

**1 Claim, 7 Drawing Sheets**



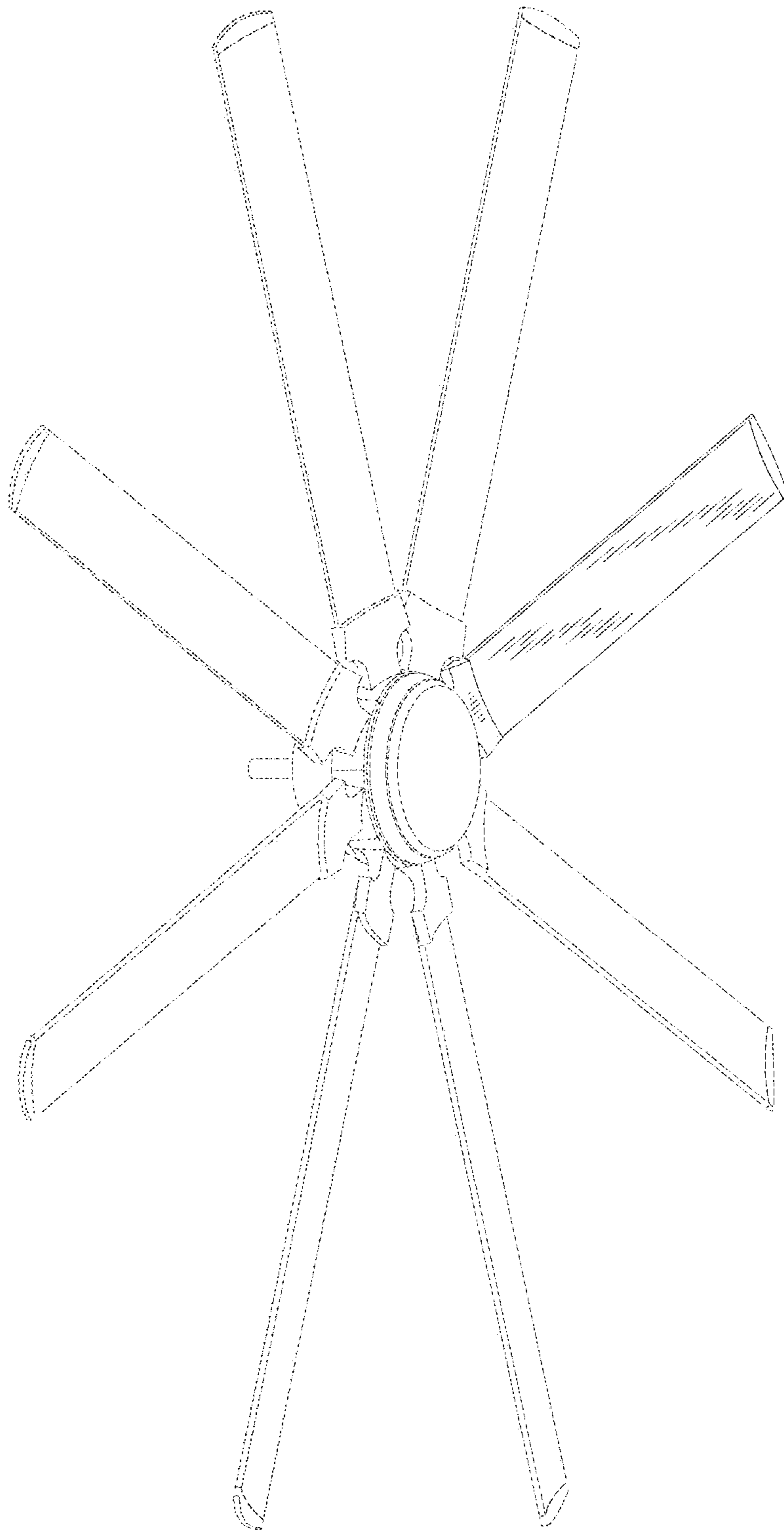


FIG. 1

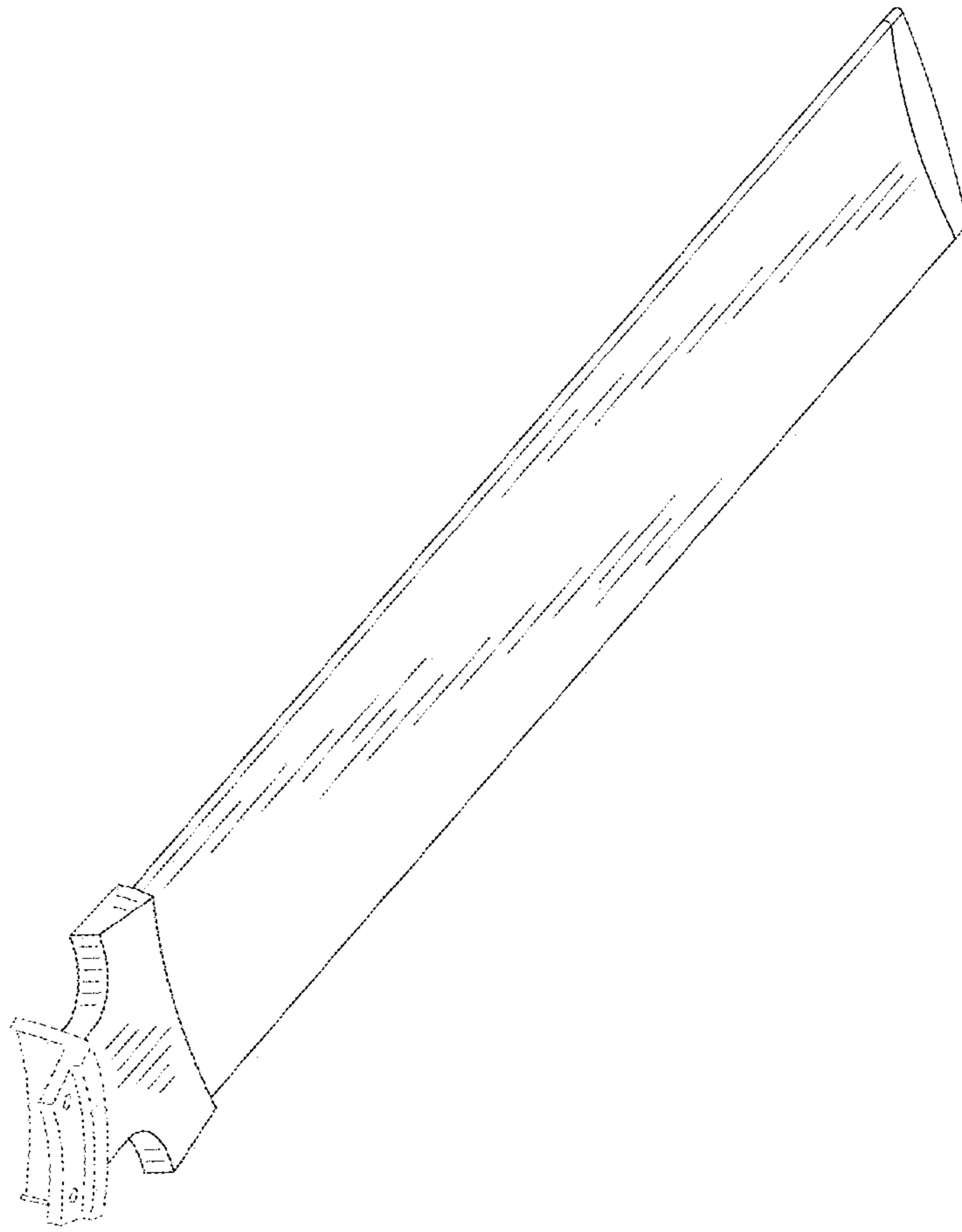


FIG. 2

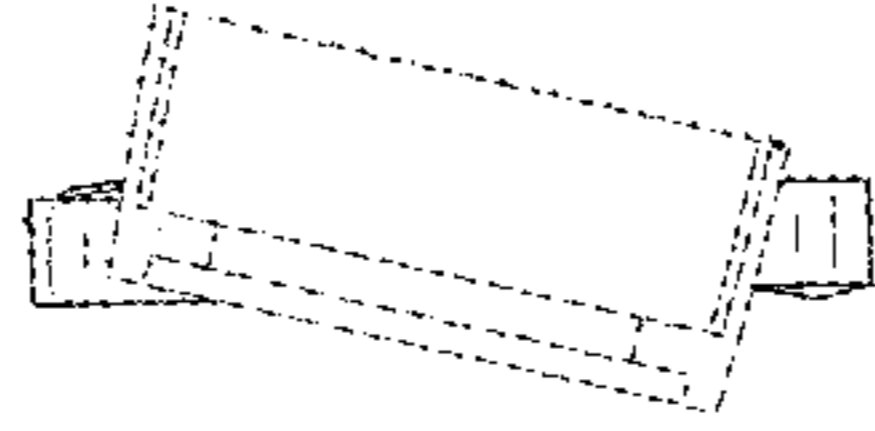


FIG. 3

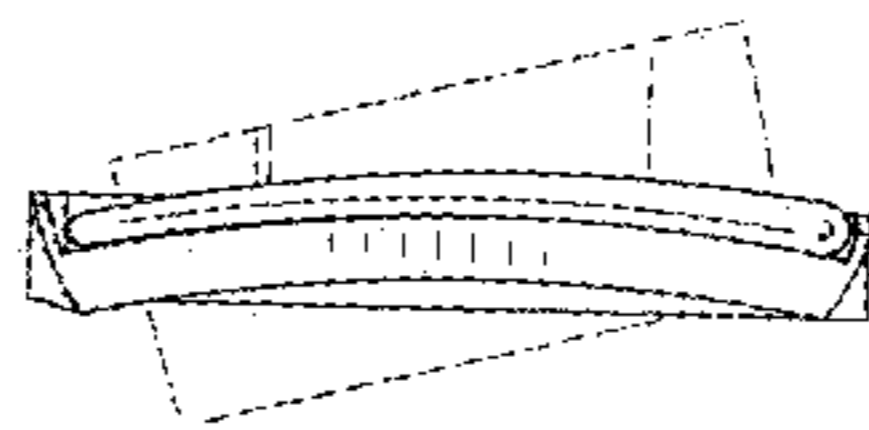


FIG. 4

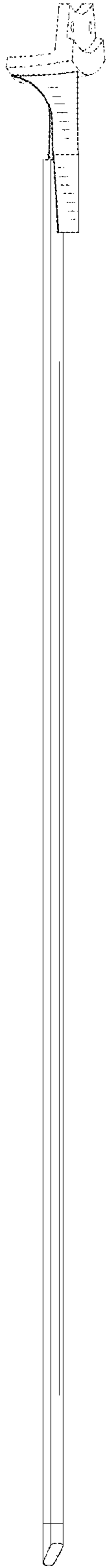


FIG. 5

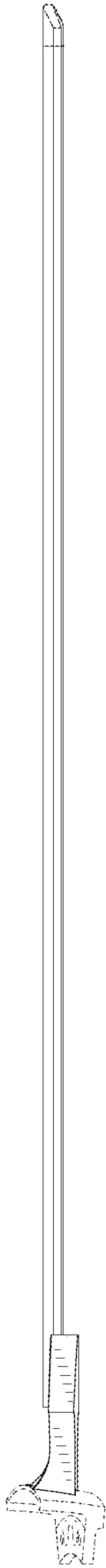


FIG. 6

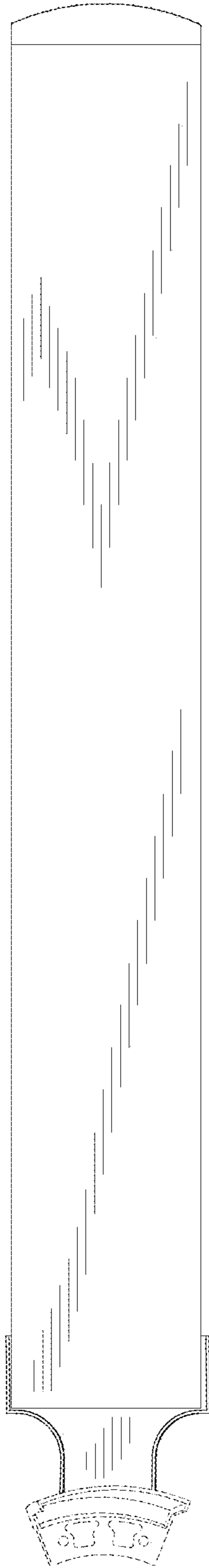


FIG. 7

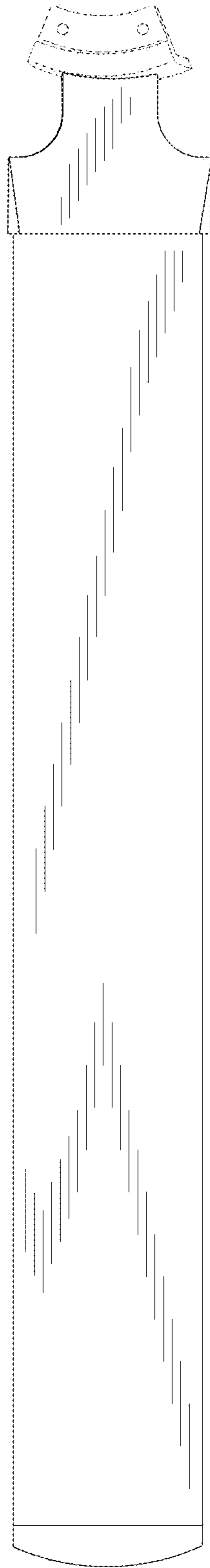


FIG. 8