

US00D877318S

(12) **United States Design Patent**
Holmes

(10) **Patent No.:** **US D877,318 S**

(45) **Date of Patent:** **** Mar. 3, 2020**

- (54) **CEILING FAN BLADE IRON**
- (71) Applicant: **HUNTER FAN COMPANY**,
Memphis, TN (US)
- (72) Inventor: **Christine Holmes**, Memphis, TN (US)
- (73) Assignee: **Hunter Fan Company**, Memphis, TN
(US)
- (**) Term: **15 Years**
- (21) Appl. No.: **29/691,117**
- (22) Filed: **May 14, 2019**

Related U.S. Application Data

- (60) Continuation of application No. 29/619,933, filed on Oct. 3, 2017, now Pat. No. Des. 854,210, which is a division of application No. 29/557,154, filed on Mar. 7, 2016, now Pat. No. Des. 809,644.
- (51) **LOC (12) Cl.** **23-04**
- (52) **U.S. Cl.**
USPC **D23/411**
- (58) **Field of Classification Search**
USPC ... D26/59, 24, 118, 119, 121–124, 128–137;
D23/370, 377–385, 411–414
CPC F04D 25/088; F04D 29/38; F21V 21/03;
B63H 1/16
See application file for complete search history.

(56) **References Cited**

U.S. PATENT DOCUMENTS

D170,084 S	7/1953	Glatthar et al.
D279,974 S	8/1985	Komori et al.
D294,976 S	3/1988	Ewing
D312,686 S	12/1990	Weber
D315,612 S	3/1991	Hughes et al.
D320,439 S	10/1991	Harper
D321,408 S	11/1991	Hughes et al.
D328,785 S	8/1992	Markwardt

D328,951 S	*	8/1992	Scofield	D23/411
D329,087 S		9/1992	Markwardt		
D339,650 S		9/1993	Vieyra		
D350,622 S		9/1994	Gruber et al.		
5,668,920 A		9/1997	Pelonis		
D399,332 S		10/1998	Greene et al.		
D420,163 S		2/2000	Fouke		
6,019,479 A		2/2000	Barker		

(Continued)

OTHER PUBLICATIONS

<http://www.kichler.com/products/product/52-lyndon-patio-ceiling-fan-wsp-310139wsp.aspx>, Item Specification for Kichler 52' Lyndon Patio Ceiling Fan in WSP, accessed Mar. 7, 2016.

(Continued)

Primary Examiner — Janice Hallmark

(74) *Attorney, Agent, or Firm* — McGarry Bair PC

(57) **CLAIM**

The ornamental design for a ceiling fan blade iron, as shown and described.

DESCRIPTION

FIG. 1 is a bottom perspective view of a ceiling fan blade iron in the environment of a ceiling fan, showing my new design;

FIG. 2 is an enlarged bottom perspective view of the ceiling fan blade iron of FIG. 1;

FIG. 3 is a bottom view of the ceiling fan blade iron in the environment of the ceiling fan;

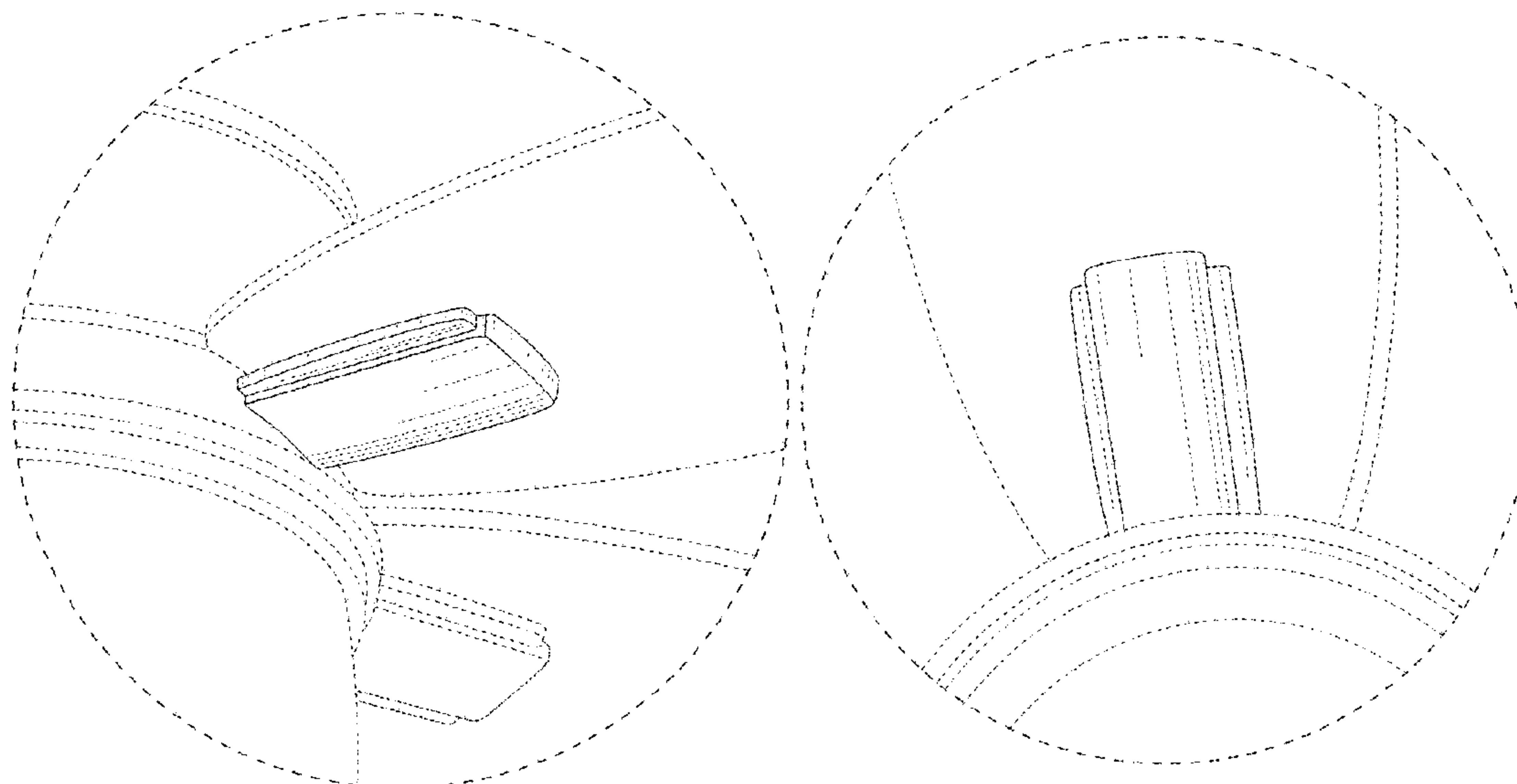
FIG. 4 is an enlarged bottom view of the ceiling fan blade iron of FIG. 3;

FIG. 5 is a side view of the ceiling fan blade iron in the environment of the ceiling fan; and,

FIG. 6 is another side view thereof.

The ceiling fan shown in broken lines depicts environmental subject matter and forms no part of the claimed design.

1 Claim, 6 Drawing Sheets



(56)

References Cited

U.S. PATENT DOCUMENTS

D437,046 S 1/2001 Tsuji
 D442,275 S * 5/2001 Dolan D23/411
 D476,769 S 7/2003 Pilkington
 D505,719 S * 5/2005 Hidalgo D23/411
 D506,565 S 6/2005 Yurich
 D510,427 S 10/2005 Hidalgo
 D532,104 S * 11/2006 Pickett D23/411
 D547,483 S 7/2007 Pickett
 D568,983 S * 5/2008 Pan D23/411
 D581,515 S * 11/2008 Pickett D23/411
 D605,331 S 12/2009 Miranda
 D609,324 S 2/2010 Lee
 D627,054 S * 11/2010 Pan D23/411
 D641,912 S 7/2011 Lagutko
 D646,824 S 10/2011 Bembridge
 D694,945 S 12/2013 Yu
 D694,946 S 12/2013 Yu
 D705,922 S * 5/2014 Wang D23/411
 D707,336 S 6/2014 Pan
 D716,992 S 11/2014 Kitts
 D726,952 S 4/2015 Kitts
 D744,634 S 12/2015 Wang
 D759,799 S 6/2016 Wang
 D771,795 S 11/2016 Wang
 D773,636 S * 12/2016 Wang D23/411
 D787,038 S * 5/2017 Badarello D23/411
 D787,040 S * 5/2017 Badarello D23/411
 D795,410 S 8/2017 Holmes
 D803,380 S * 11/2017 Holmes D23/377
 D809,644 S 2/2018 Holmes et al.
 D818,574 S * 5/2018 Hidalgo D23/411
 D855,790 S * 8/2019 Badarello D23/411
 2006/0120064 A1 * 6/2006 McElhannon G02B 6/001
 362/96
 2009/0004016 A1 * 1/2009 Wang F04D 25/088
 416/210 R
 2009/0246028 A1 * 10/2009 Richardson F04D 25/088
 416/210 R
 2014/0044548 A1 2/2014 Wang
 2015/0078903 A1 * 3/2015 Lowe F04D 29/34
 416/210 R

OTHER PUBLICATIONS

<http://www.montecarlofans.com/fa2244-pg1/Clarity-Collection.htm>, Item Specification for Clarity Collection by the Monte Carlo Fan Company, accessed Mar. 7, 2016.

<http://www.minkagroup.net/products/f734-si>, Item Specification for F734-SI-Strata-Minka Group, accessed Mar. 7, 2016.
<http://www.kichler.com/products/product/52-arkwet-patio-ceiling-fan-wsp-339529wsp.aspx>, Item Specification for 57" Arkwet Patio Ceiling Fan in WSP, accessed Mar. 7, 2016.
http://www.cens.com/cens/html/en/product/product_main_77128.html, Item Specification for Orion-Contemporary Series_Air Cool Industrial Co., Ltd. _ CENS, accessed Mar. 7, 2016.
<http://ceilingfans.emerson.com/shop/en/fan/fans-s-emerson-fans/emerson-fans-browse-all/cornerstone-fan-cf1orb>, Item Specification for Traditional Bronze Ceiling Fan—Emerson, Cornerstone, accessed Mar. 7, 2016.
<http://ceilingfans.emerson.com/shop/en/fan/fans-s-emerson-fans/emerson-fans-browse-all/highpointe-fan-p-cf205>, Item Specification for Modern Architecturally-Inspired Black Ceiling Fan—Emerson—HighPointe, accessed Mar. 7, 2016.
<http://www.minkagroup.net/products/f689-dbb>, Item Specification for F689-DBB Minka Group, Kola-XL, accessed Mar. 7, 2016.
<http://www.hunterfan.com/Ceiling-Fans/Antero?ModelNumber=59178>, Item Specification for Antero Ceiling Fans with Lights—Hunter Fan, accessed Mar. 7, 2016.
<http://www.kichler.com/products/product/60-terra-select-ceiling-fan-obb-330250obb.aspx>, Item Specification for 60" Terra Select Ceiling Fan in OBB, accessed Mar. 7, 2016.
<http://www.montecarlofans.com/38110/52-Nikki---Polished-Nickel-5NKR52PND.html>, Item Specification for 6NKR52PND, 52" Nikki—Polished Nickel, Polished Nickel, accessed Mar. 7, 2016.
<http://ceilingfans.emerson.com/shop/en/fan/fans-s-emerson-fans/fans-s-contemporary/atomical-fan-p-cf930>, Item Specification for Outdoor Brushed Steel Ceiling Fan with Light, Emerson—Atomical, accessed Mar. 7, 2016.
<http://www.fanimation.com/products/index.php/fans/stafford.html>, Item Specification for Stafford—Fans, accessed Mar. 7, 2016.
 Monte Carlo 3KNR52CHO/ABS Ceiling Fans Ken, date first available Jan. 27, 2014, site visited Aug. 30, 2017, Available from Internet, https://www.amazon.com/Monte-Carlo-3KNR52CHO-ABS-Ceiling/dp/BOOI2VZLC6/ref=sr_1_1?ie=UTF8&qid=1504123478&sr=8-1&keywords=monte+carlo+ken+ceiling+fan.
 Hunter 59039 Windemere 54 in. Indoor Ceiling Fan with Light and Remote, date first available Aug. 7, 2013, site visited Aug. 30, 2017, Available from Internet, https://www.amazon.com/Hunter-59039-Windemere-Indoor-Ceiling/dp/BOOE07X8GE/ref=sr_1_1?s=hi&ie=UTF8&qid=1504125357&sr=1-1-spons&keywords=hunter+windemere&psc=1.

* cited by examiner

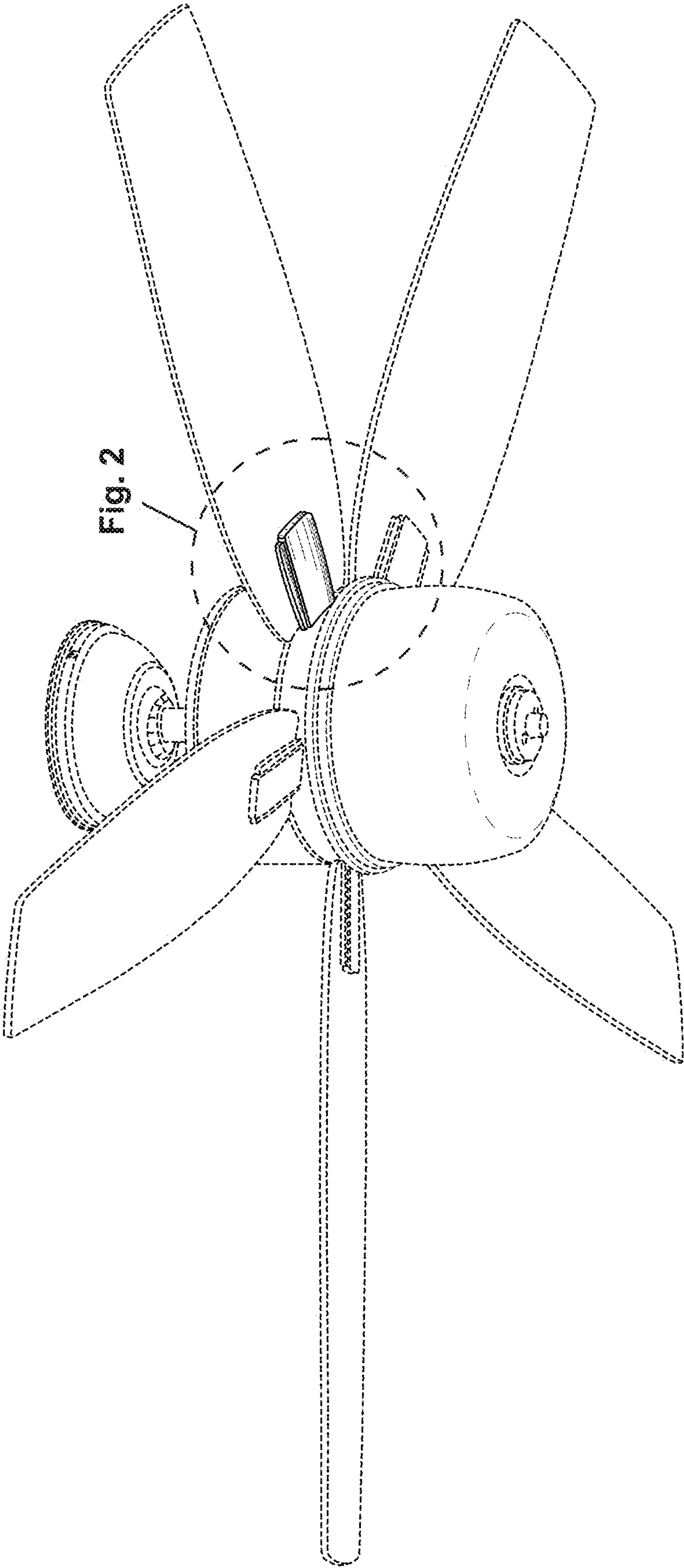


FIG. 1

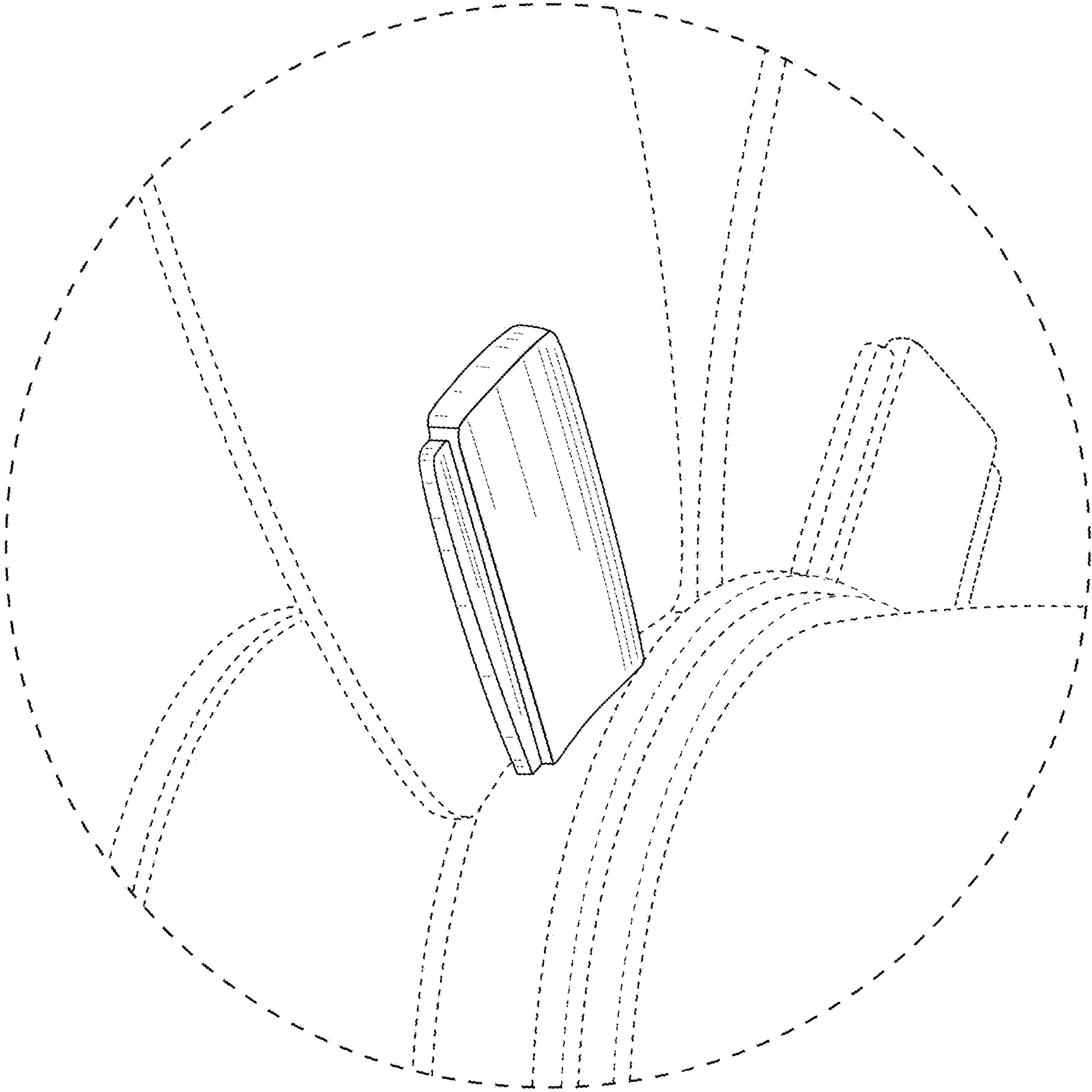


FIG. 2

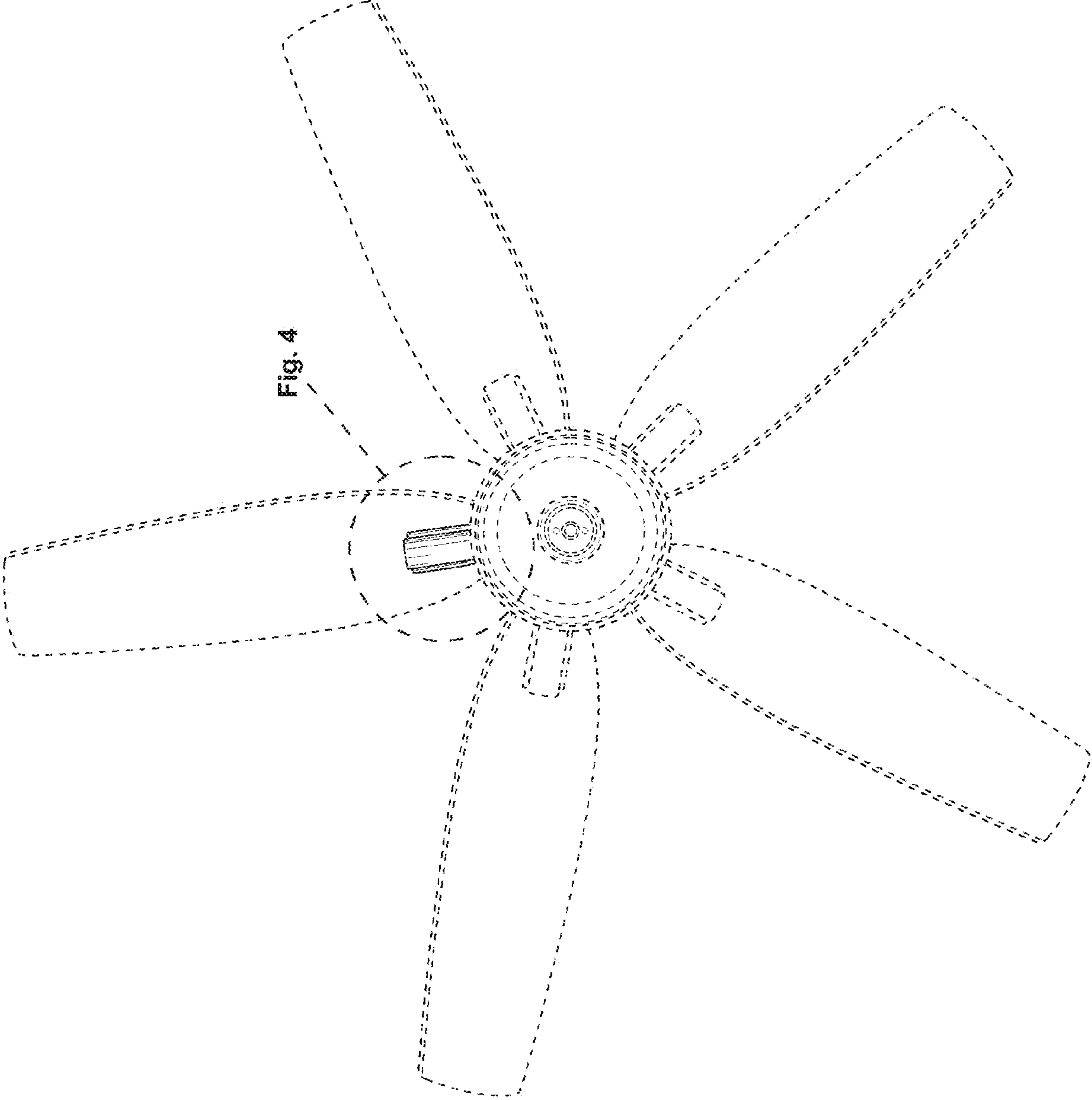


Fig. 4

FIG. 3

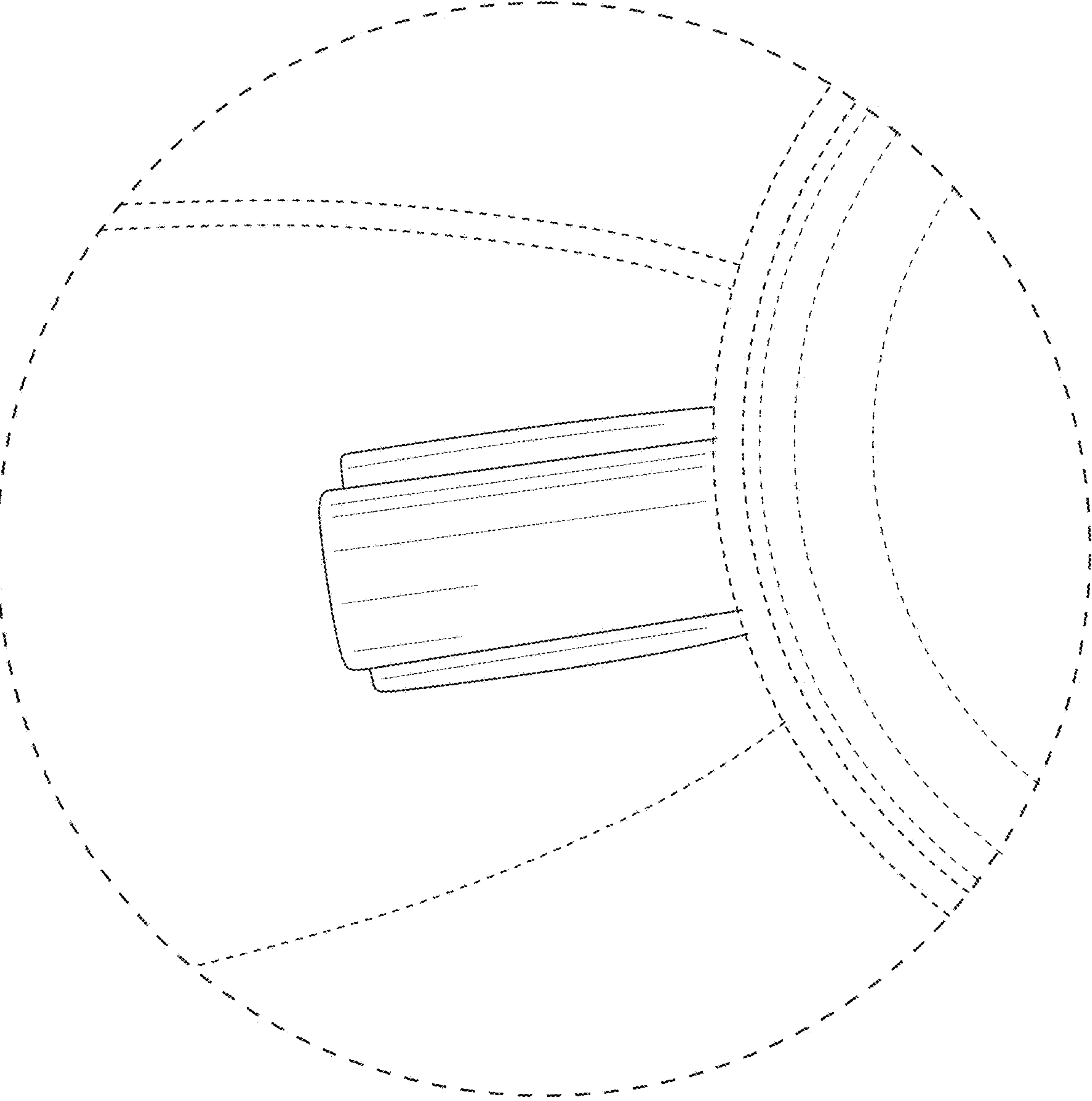


FIG. 4

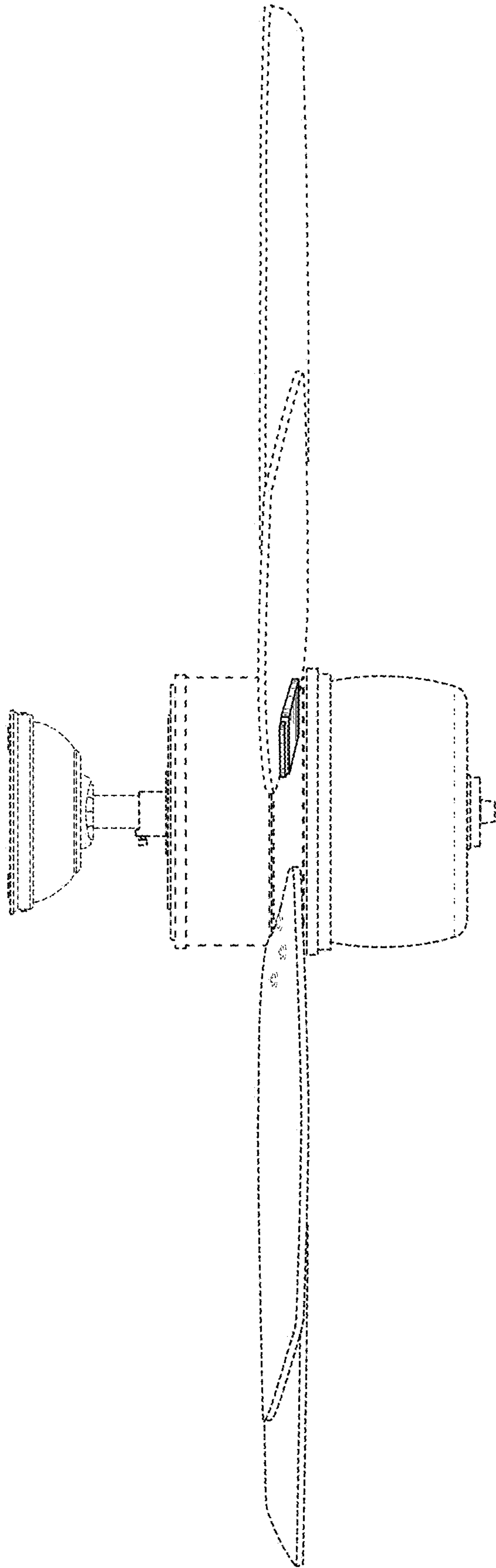


FIG. 5

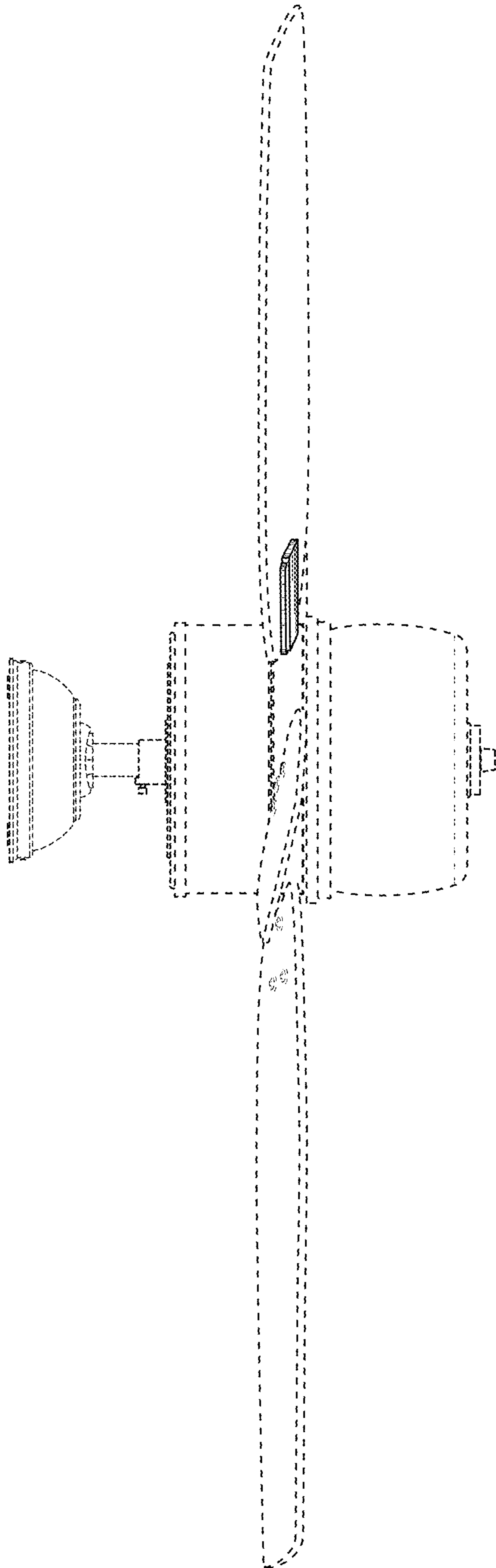


FIG. 6