



US00D877317S

(12) **United States Design Patent**
Wang

(10) **Patent No.:** **US D877,317 S**
(45) **Date of Patent:** **** Mar. 3, 2020**

(54) **CEILING FAN MOTOR HOUSING AND LIGHT KIT ASSEMBLY**

(71) Applicant: **AIR COOL INDUSTRIAL CO., LTD.**, Taichung (TW)

(72) Inventor: **Cliff Wang**, Taichung (TW)

(73) Assignee: **AIR COOL INDUSTRIAL CO., LTD.**, Taichung (TW)

(**) Term: **15 Years**

(21) Appl. No.: **29/667,372**

(22) Filed: **Oct. 19, 2018**

(51) **LOC (12) Cl.** **23-03**

(52) **U.S. Cl.**
USPC **D23/411**; D26/59

(58) **Field of Classification Search**
USPC D23/370–385, 411–414; D26/59
CPC F04D 25/088; F04D 29/38; F04D 29/384;
F04D 29/386; F21V 33/0096
See application file for complete search history.

(56) **References Cited**

U.S. PATENT DOCUMENTS

- D345,206 S * 3/1994 DiPasquale D23/377
- 5,462,412 A * 10/1995 Scofield F04D 29/34
416/210 R
- D397,782 S * 9/1998 Gee, II D23/379
- D451,592 S * 12/2001 Dolan D23/377
- D484,588 S * 12/2003 Tai D23/377
- D512,498 S * 12/2005 Hidalgo D23/377

- D516,195 S * 2/2006 Hidalgo D23/377
- D520,131 S * 5/2006 Hidalgo D23/377
- D524,434 S * 7/2006 Hidalgo D23/377
- D542,461 S * 5/2007 Hidalgo D26/128
- D553,731 S * 10/2007 Bucher D23/411
- D707,340 S * 6/2014 Pan D23/377

* cited by examiner

Primary Examiner — Cathron C Brooks

Assistant Examiner — Sharon S Oum

(74) *Attorney, Agent, or Firm* — Pai Patent & Trademark Law Firm; Chao-Chang David Pai

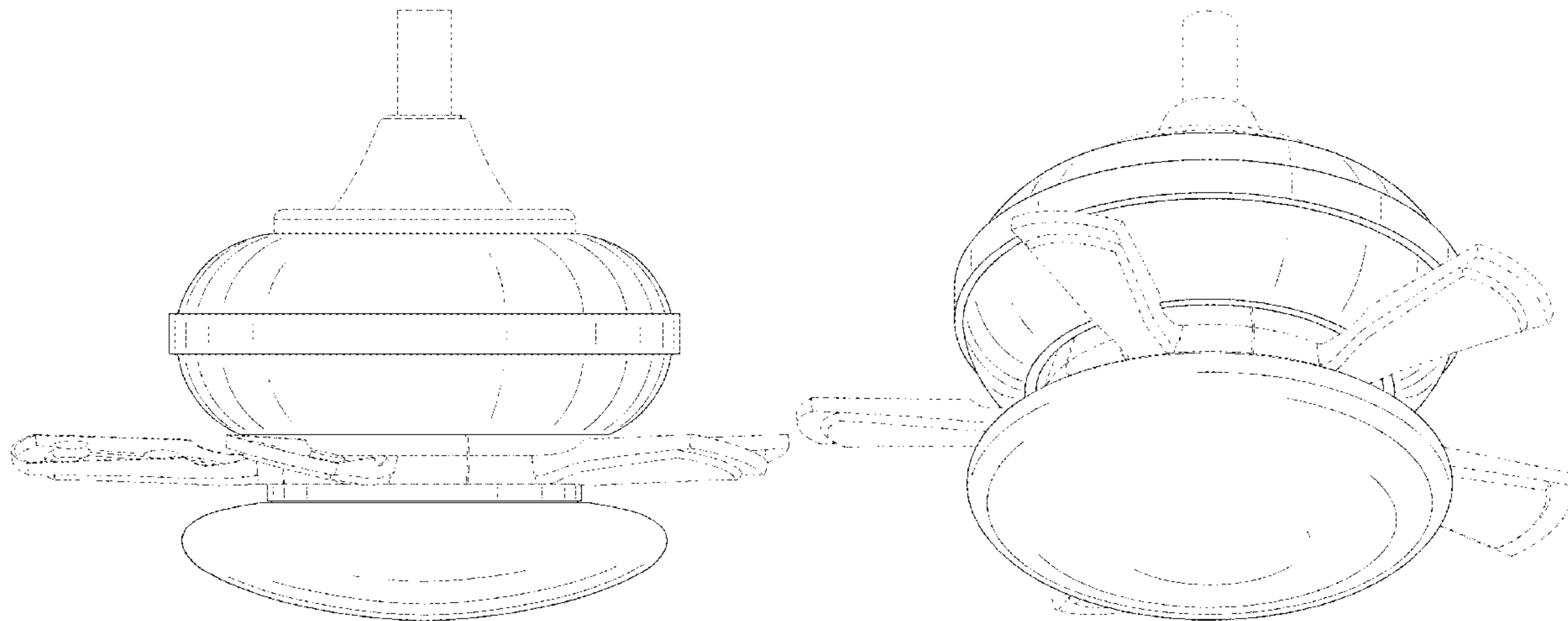
(57) **CLAIM**

The ornamental design for a ceiling fan motor housing and light kit assembly, as shown and described.

DESCRIPTION

FIG. 1 is a front top perspective view of a ceiling fan motor housing and light kit assembly showing my new design; FIG. 2 is a front elevational view thereof; FIG. 3 is a rear elevational view thereof; FIG. 4 is a left side elevational view thereof; FIG. 5 is a right side elevational view thereof; FIG. 6 is a top plan view thereof; FIG. 7 is a bottom plan view thereof; and, FIG. 8 is a front bottom perspective view thereof. The broken lines illustrate portions of the ceiling fan motor housing and light kit assembly and form no part of the claimed design.

1 Claim, 8 Drawing Sheets



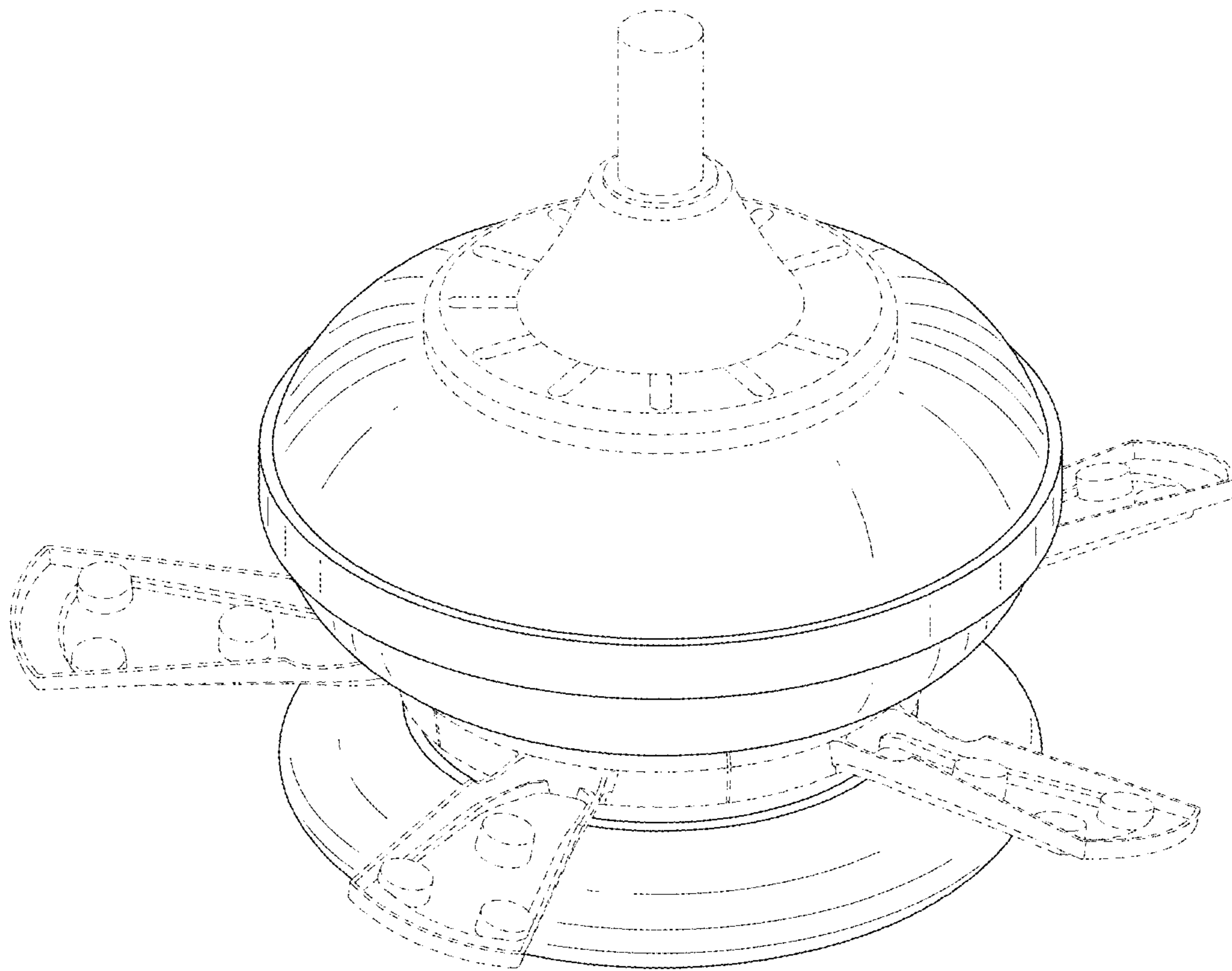


FIG. 1

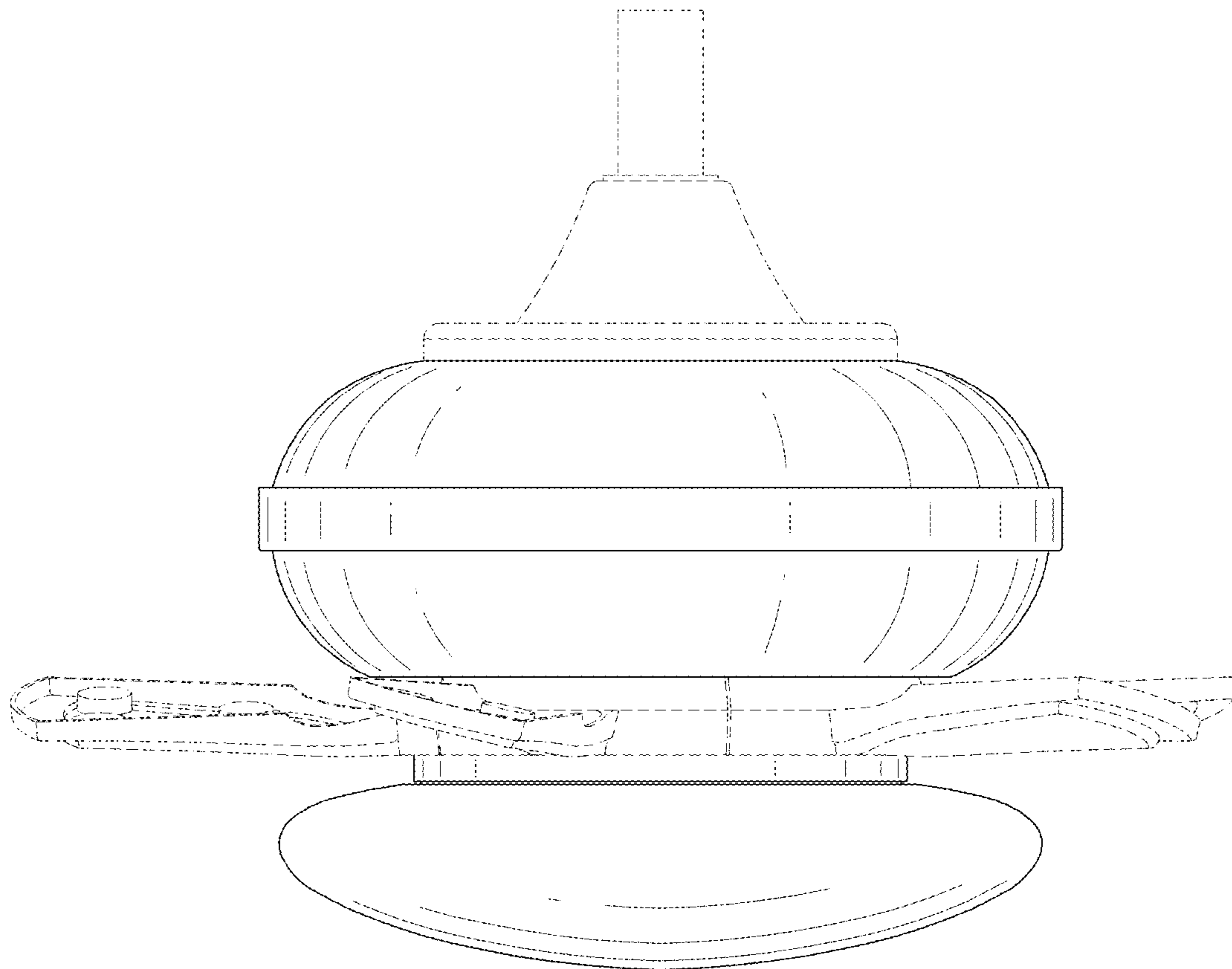


FIG. 2

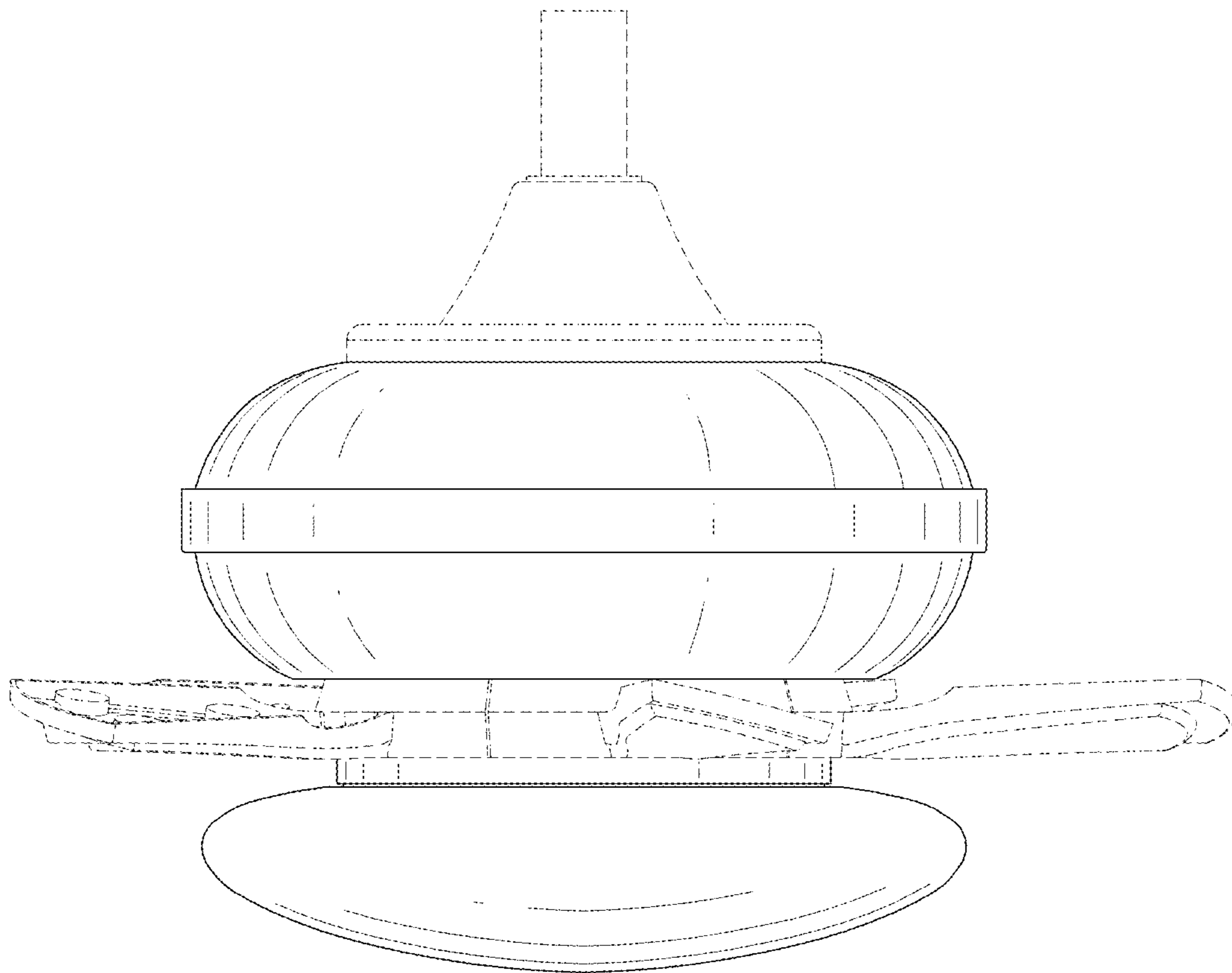


FIG. 3

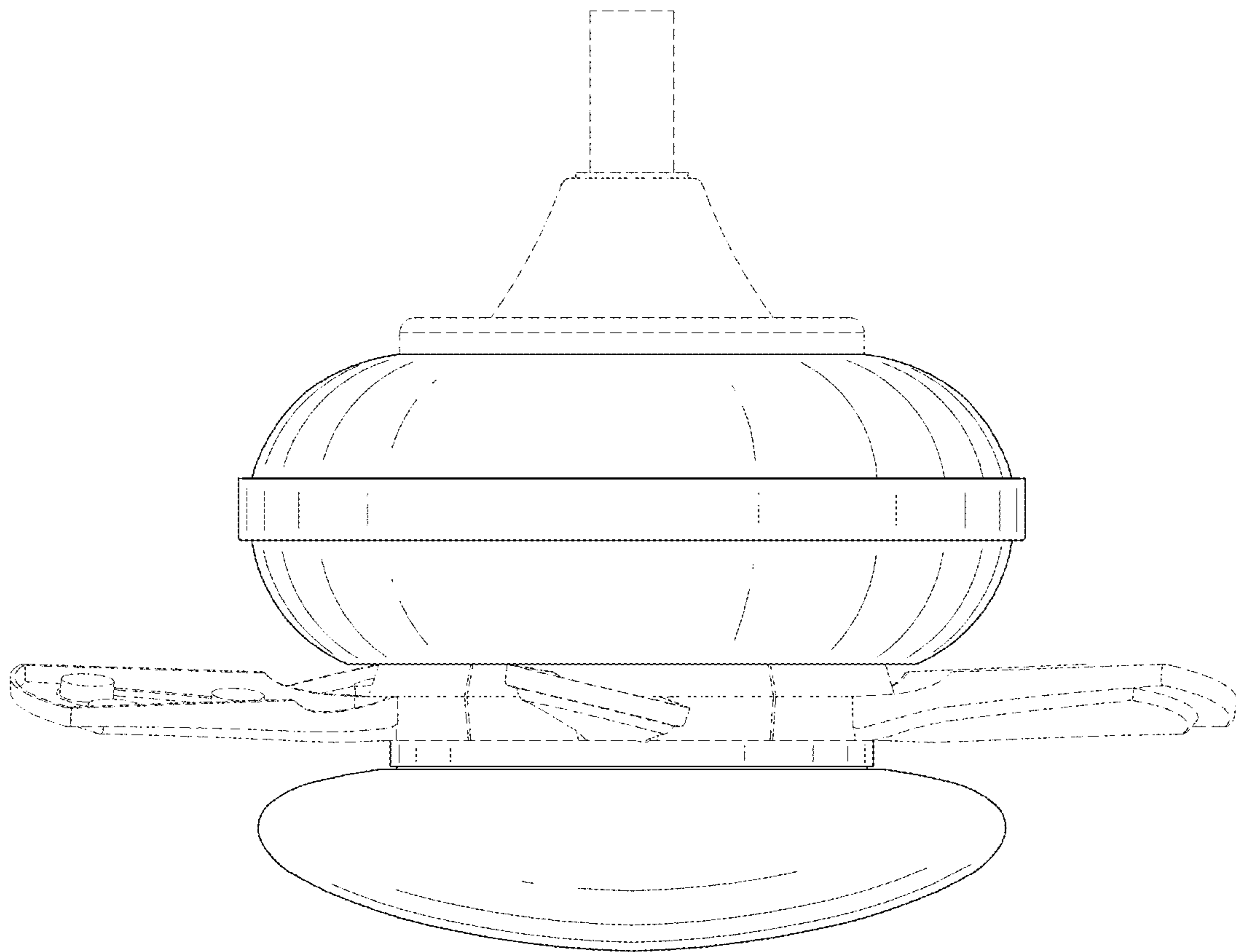


FIG. 4

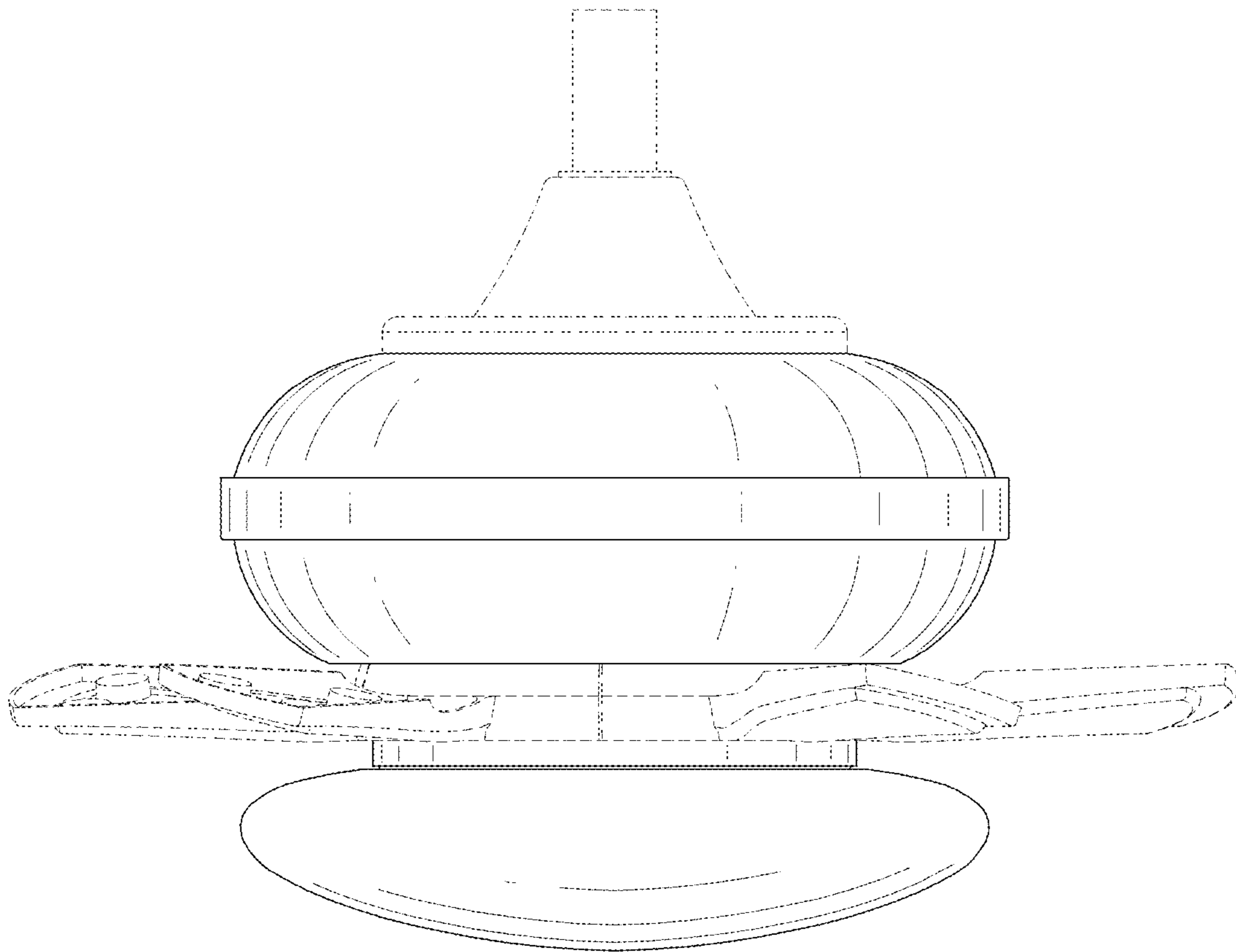


FIG. 5

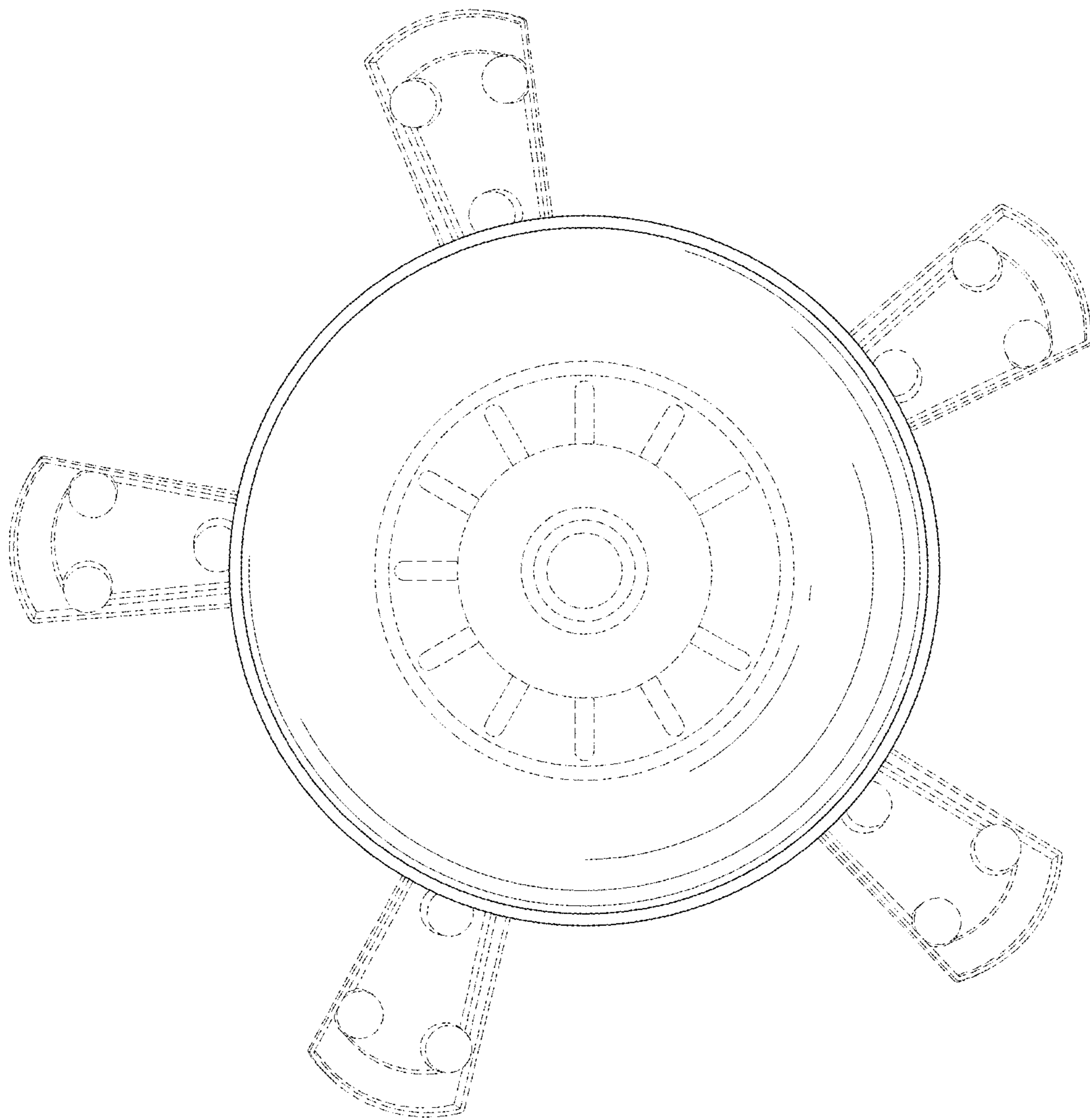


FIG. 6

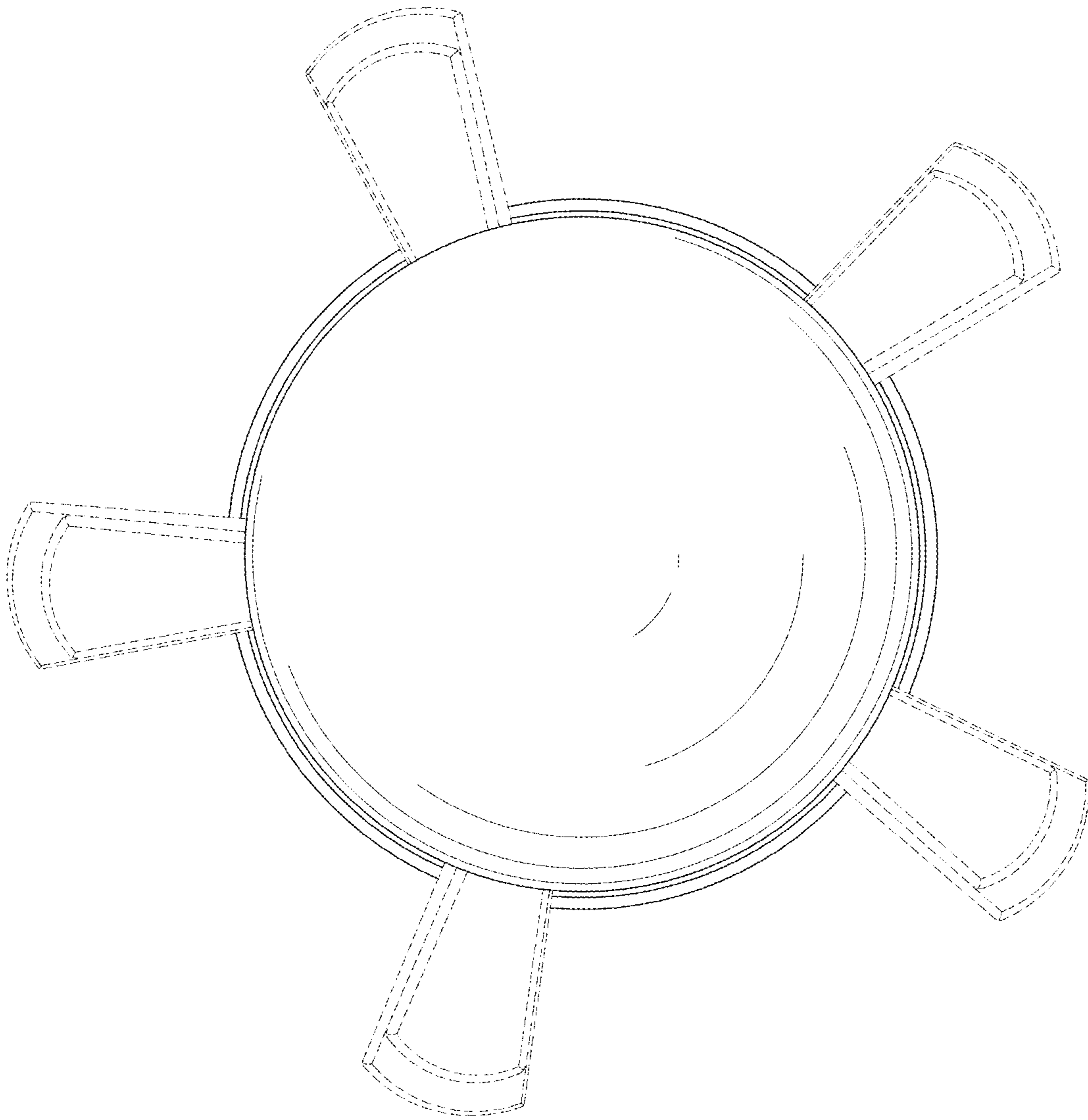


FIG. 7

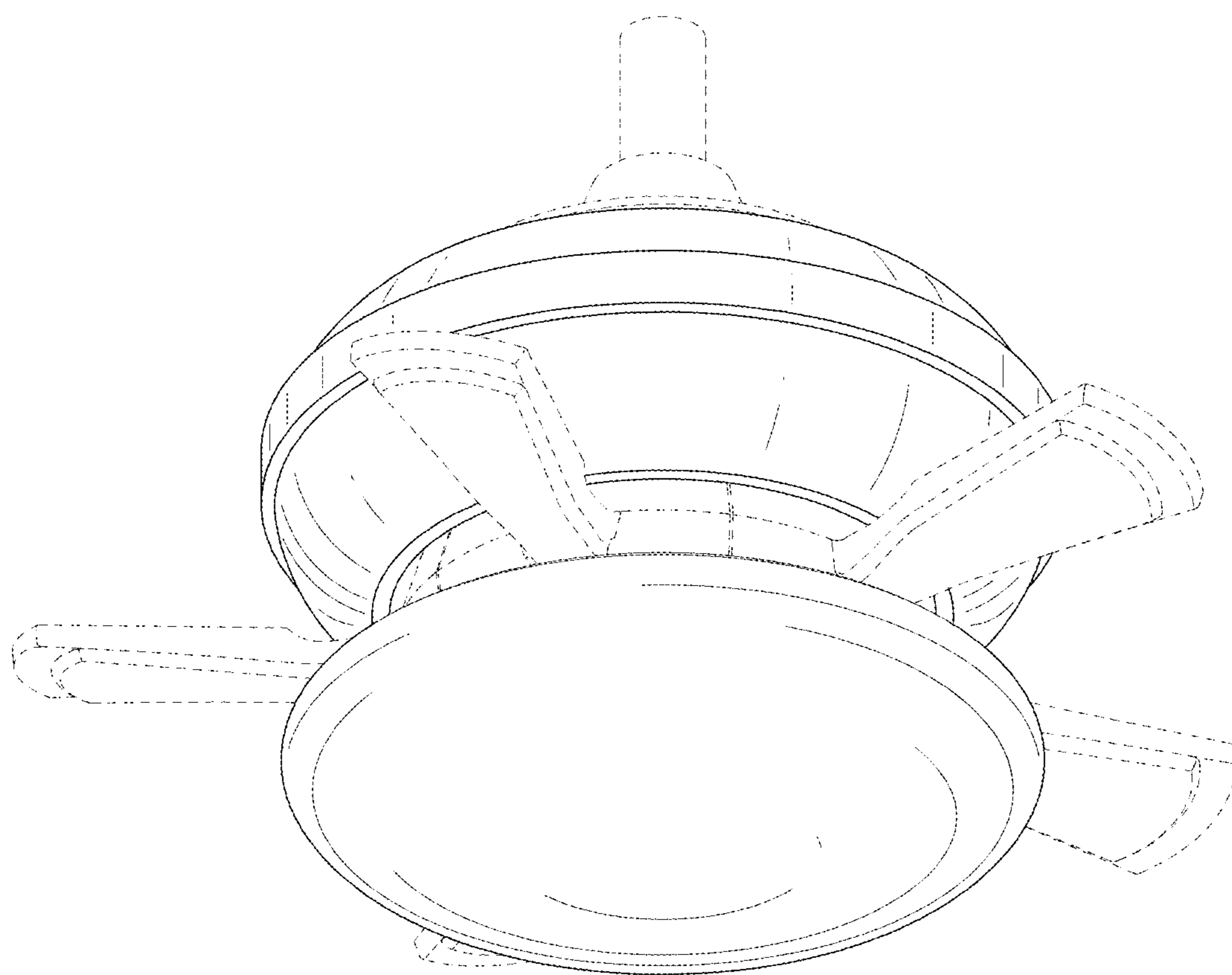


FIG. 8