



US00D877316S

(12) **United States Design Patent**
Wang

(10) **Patent No.:** **US D877,316 S**

(45) **Date of Patent:** **** Mar. 3, 2020**

(54) **CEILING FAN MOTOR HOUSING AND LIGHT KIT ASSEMBLY**

(71) Applicant: **AIR COOL INDUSTRIAL CO., LTD.**, Taichung (TW)

(72) Inventor: **Cliff Wang**, Taichung (TW)

(73) Assignee: **AIR COOL INDUSTRIAL CO., LTD.**, Taichung (TW)

(**) Term: **15 Years**

(21) Appl. No.: **29/661,805**

(22) Filed: **Aug. 30, 2018**

(51) **LOC (12) Cl.** **23-03**

(52) **U.S. Cl.**
USPC **D23/411**; D26/59

(58) **Field of Classification Search**
USPC D23/370–385, 411–414; D26/59, 49, 72, D26/89, 118, 124; D12/214, 339, 344
CPC F04D 25/088; F04D 29/38; F04D 29/384; F04D 29/386; F21V 33/0096
See application file for complete search history.

(56) **References Cited**

U.S. PATENT DOCUMENTS

D169,981 S *	7/1953	Lambert	D26/49
D268,876 S *	5/1983	Leithauser, Jr.	D26/72
D488,554 S *	4/2004	Bacon	D23/411
D556,939 S *	12/2007	Gajewski	D26/128
D571,036 S *	6/2008	Rashidi	D26/118
D604,437 S *	11/2009	Yang	D26/49
D616,129 S *	5/2010	Sanoner	D26/67
D632,381 S *	2/2011	Davenport	D23/377
D685,519 S *	7/2013	Teranishi	D26/118
D718,485 S *	11/2014	Wright	D26/88

D739,001 S *	9/2015	Crisa'	D23/372
D743,528 S *	11/2015	Wang	D23/411
D760,368 S *	6/2016	Chen	D23/377
D796,024 S *	8/2017	Holmes	D23/377
D799,661 S *	10/2017	Holmes	D23/377
D807,488 S *	1/2018	McRoberts	D23/377
D822,192 S *	7/2018	Haggar	D23/411
D827,123 S *	8/2018	Guthrie	D23/411
D866,746 S *	11/2019	Holmes	D23/411
D868,334 S *	11/2019	Li	D26/72
2009/0122572 A1 *	5/2009	Page	F04D 25/088 362/555

* cited by examiner

Primary Examiner — Cathron C Brooks

Assistant Examiner — Sharon S Oum

(74) *Attorney, Agent, or Firm* — Pai Patent & Trademark Law Firm; Chao-Chang David Pai

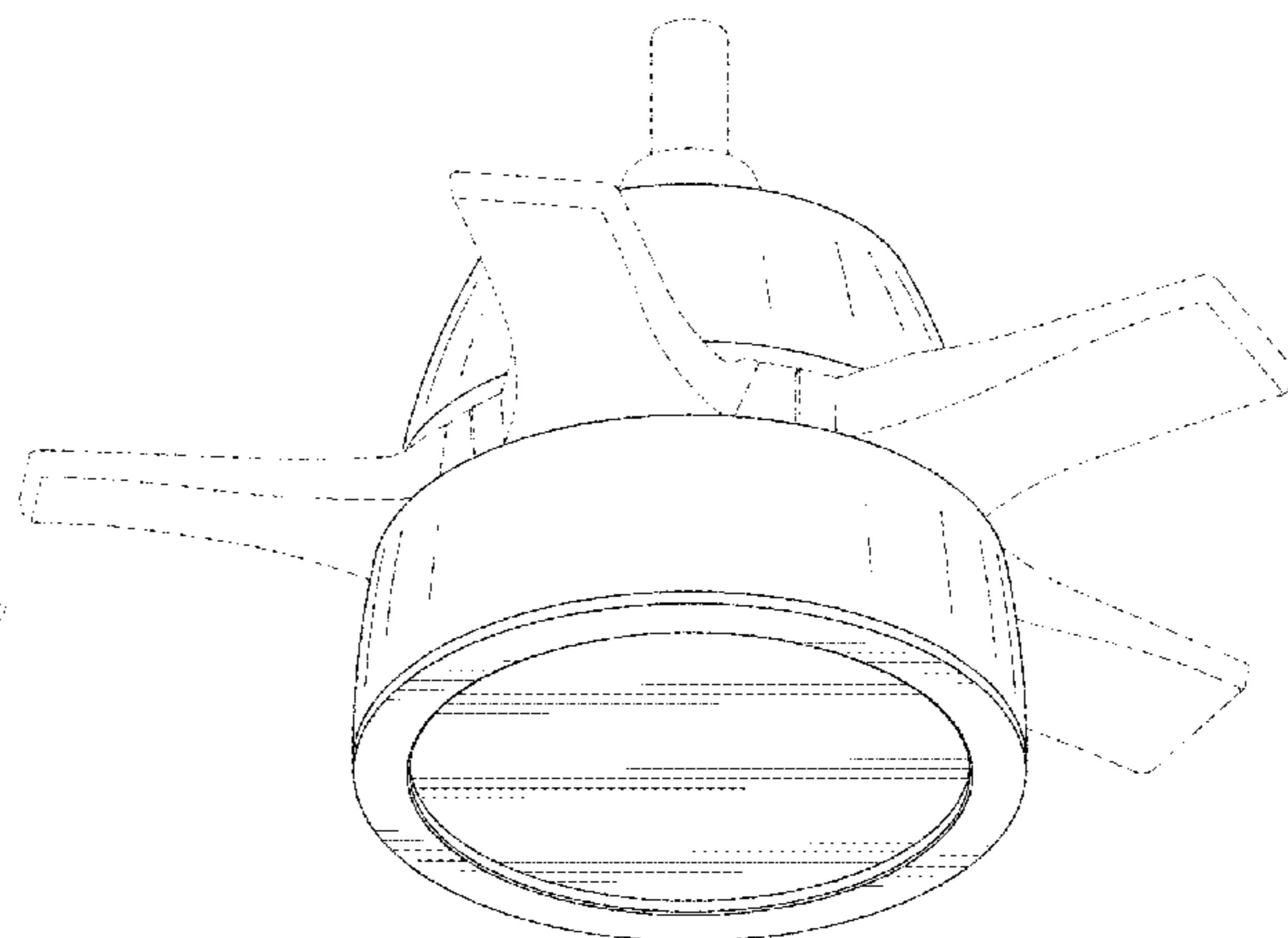
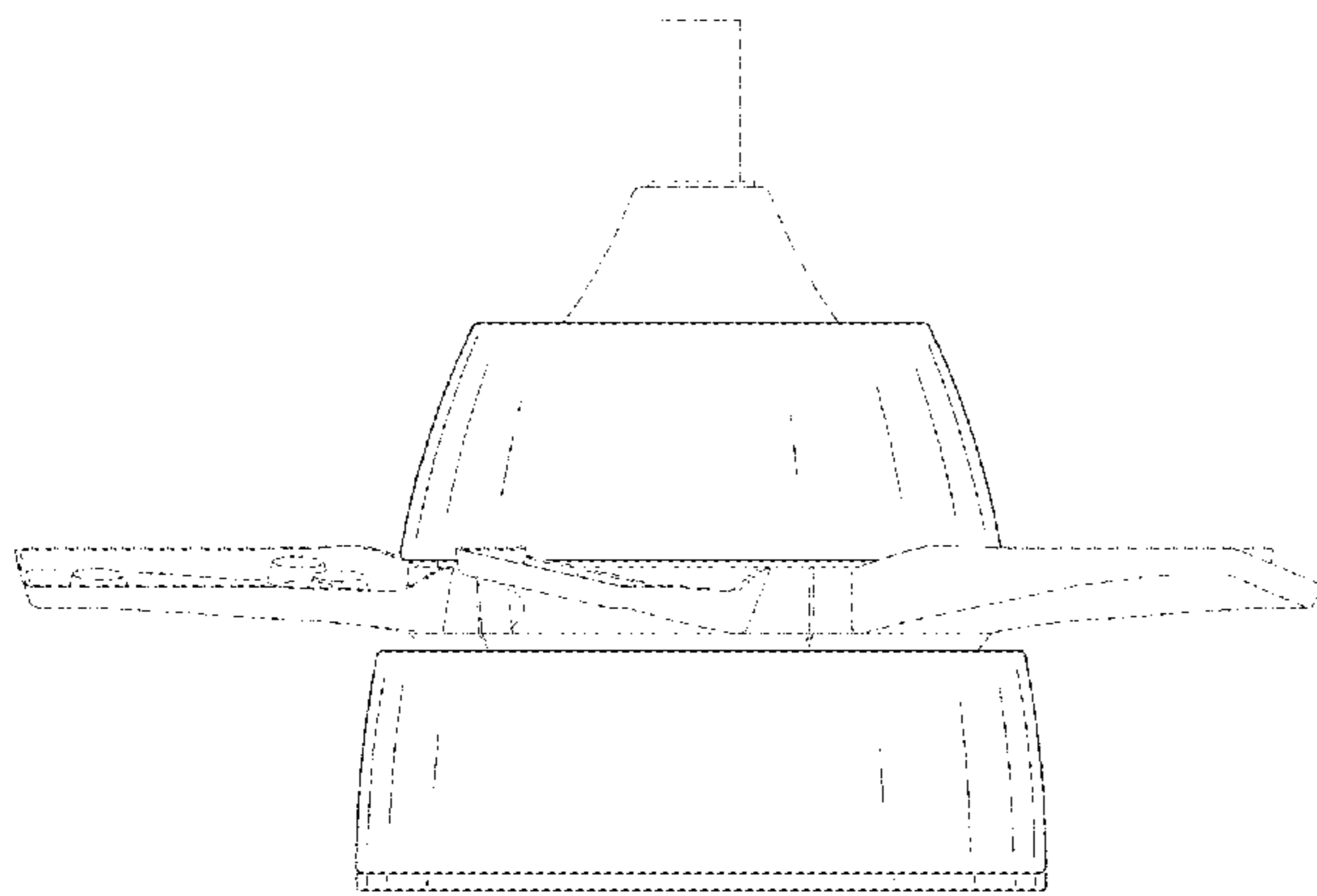
(57) **CLAIM**

The ornamental design for a ceiling fan motor housing and light kit assembly, as shown and described.

DESCRIPTION

FIG. 1 is a front top perspective view of a ceiling fan motor housing and light kit assembly showing my new design; FIG. 2 is a front elevational view thereof; FIG. 3 is a rear elevational view thereof; FIG. 4 is a left side elevational view thereof; FIG. 5 is a right side elevational view thereof; FIG. 6 is a top plan view thereof; FIG. 7 is a bottom plan view thereof; and, FIG. 8 is a front bottom perspective view thereof. The broken lines illustrate portions of the ceiling fan motor housing and light kit assembly and form no part of the claimed design.

1 Claim, 8 Drawing Sheets



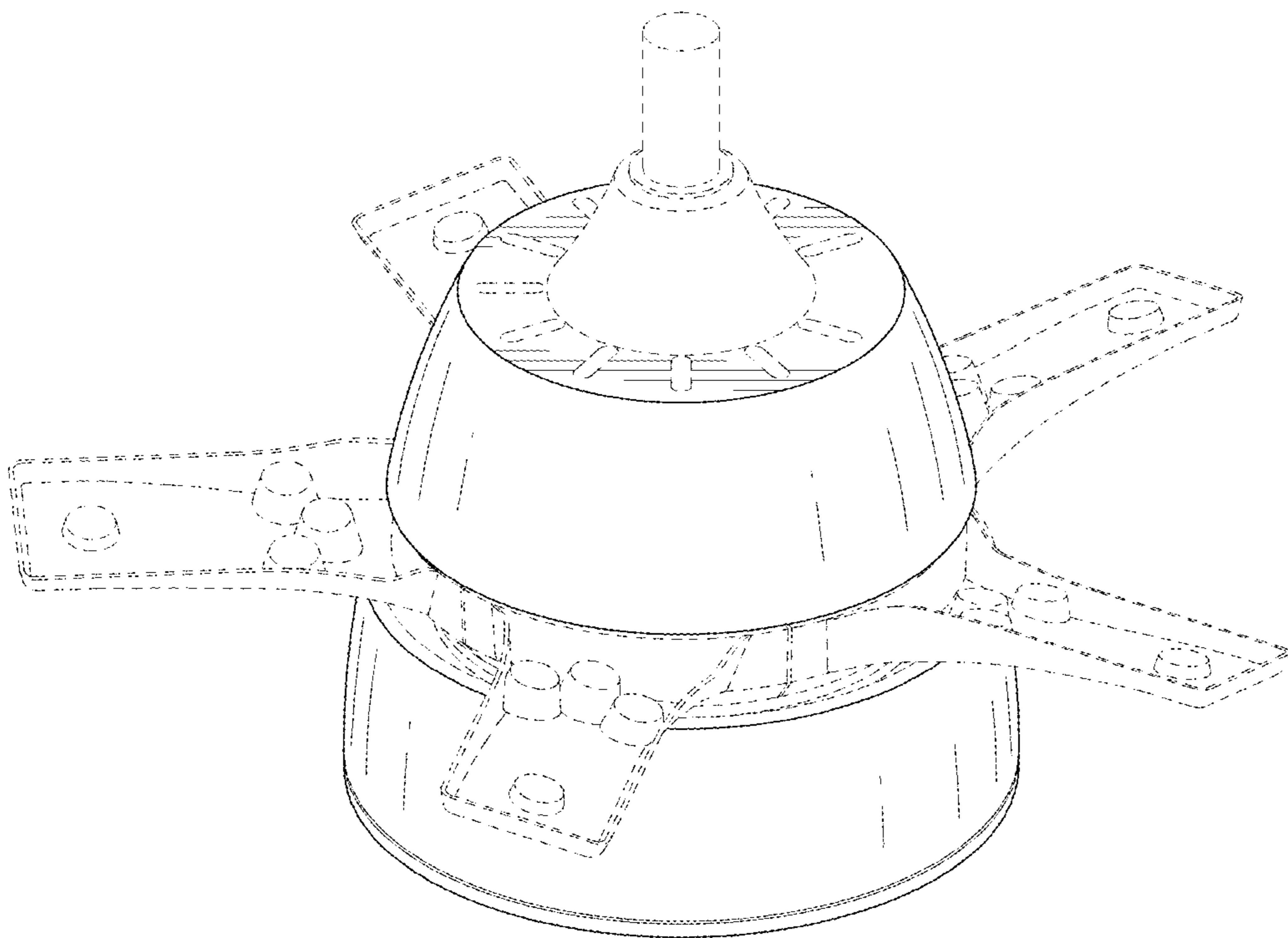


FIG. 1

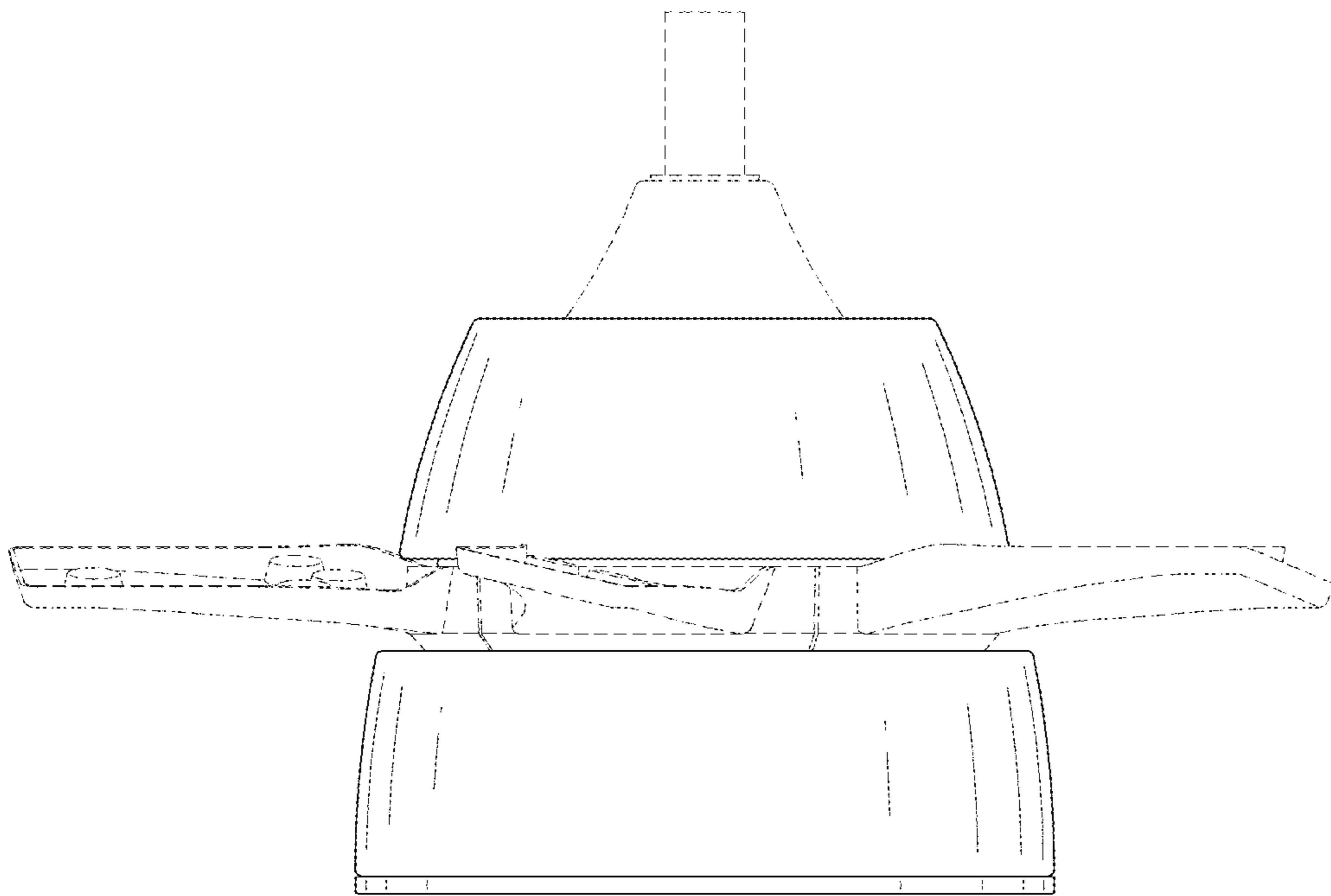


FIG. 2

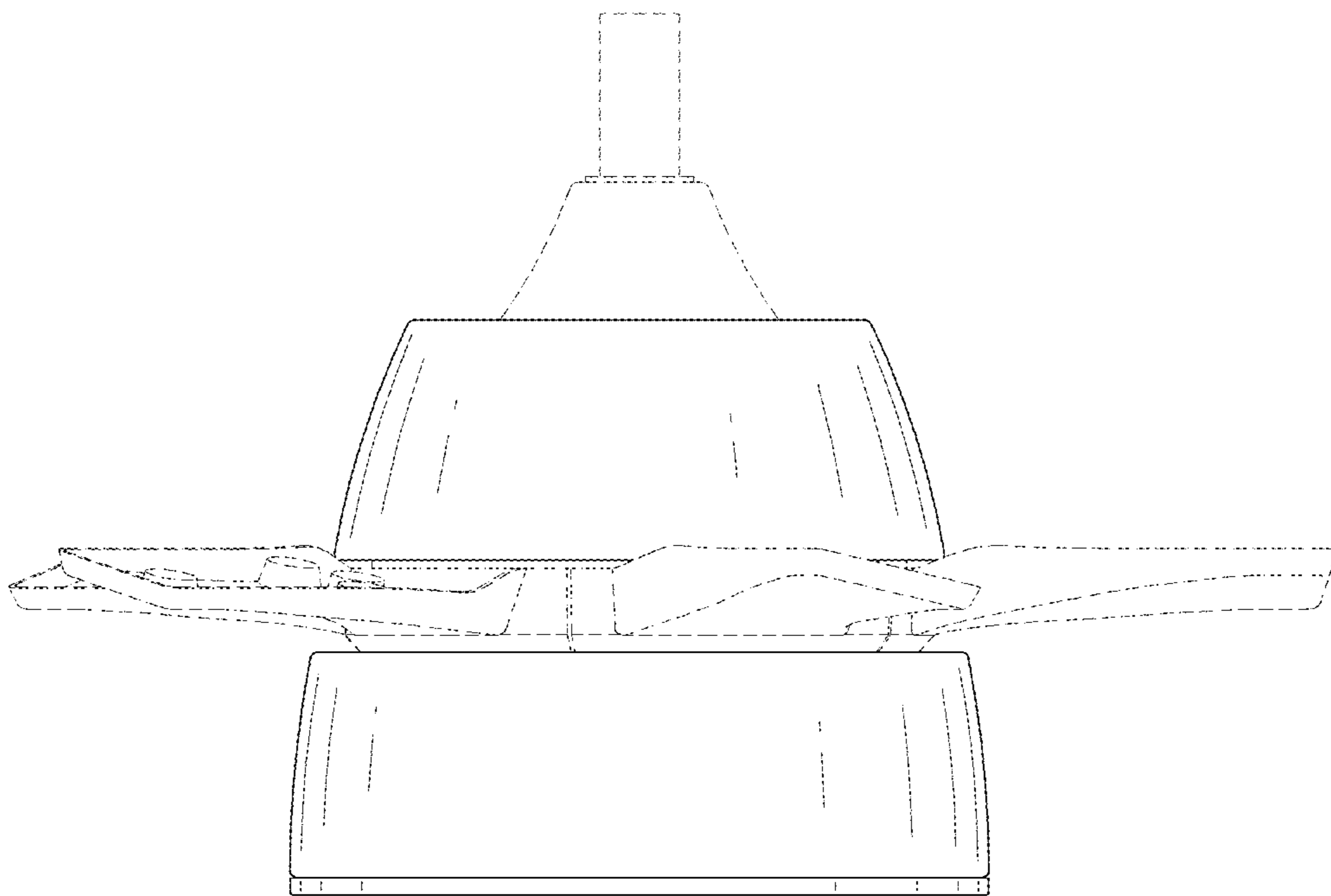


FIG. 3

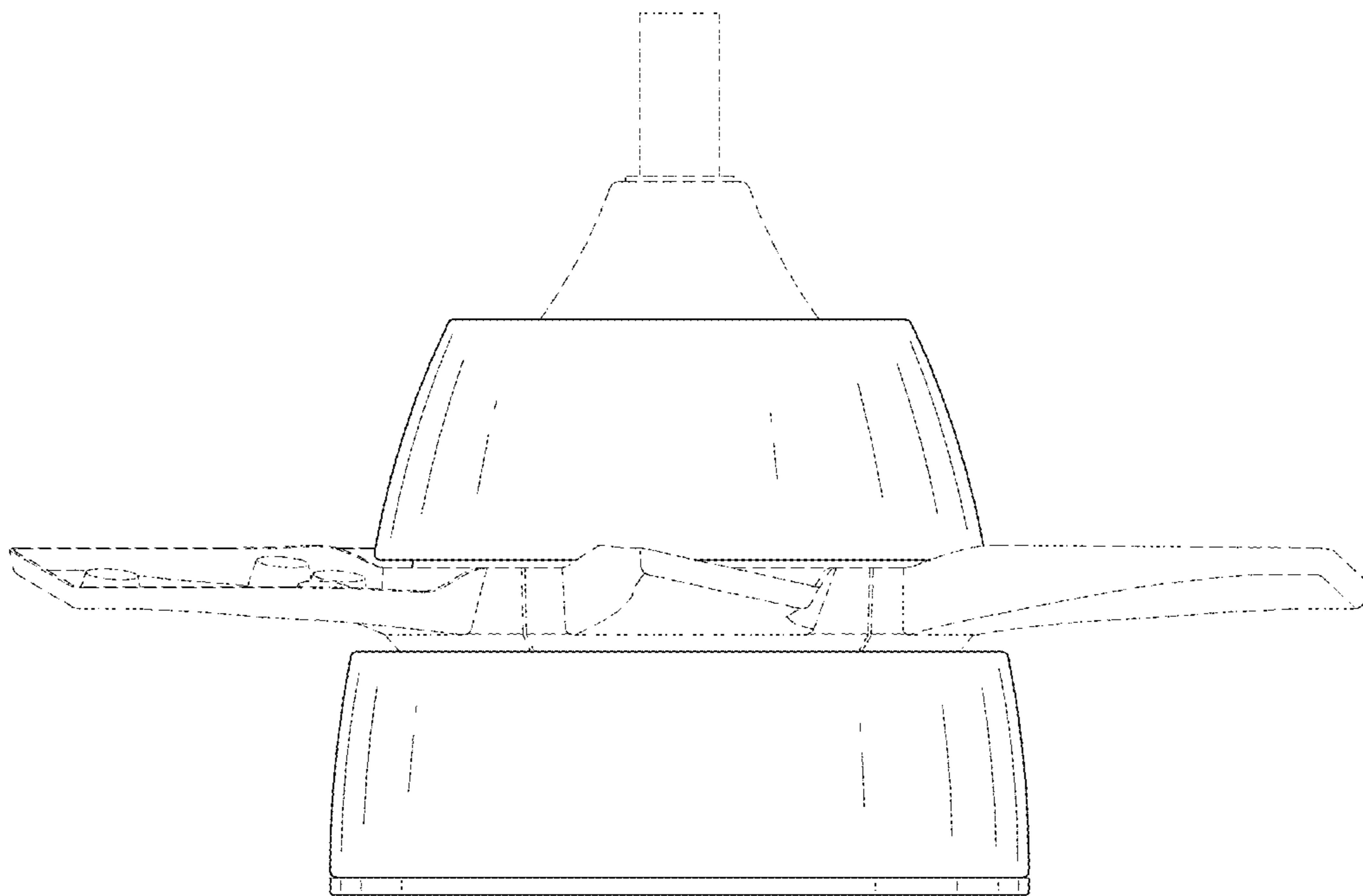


FIG. 4

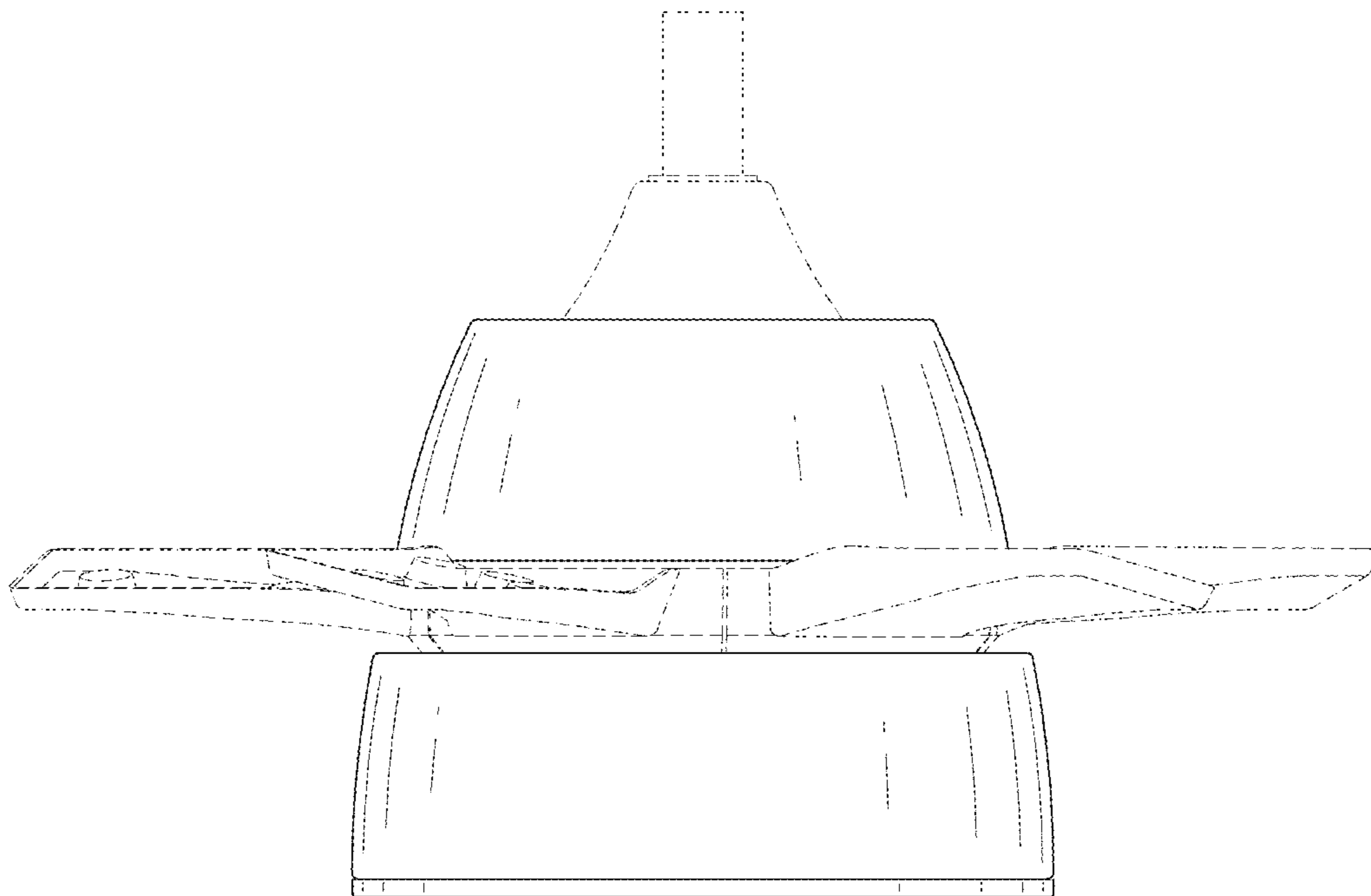


FIG. 5

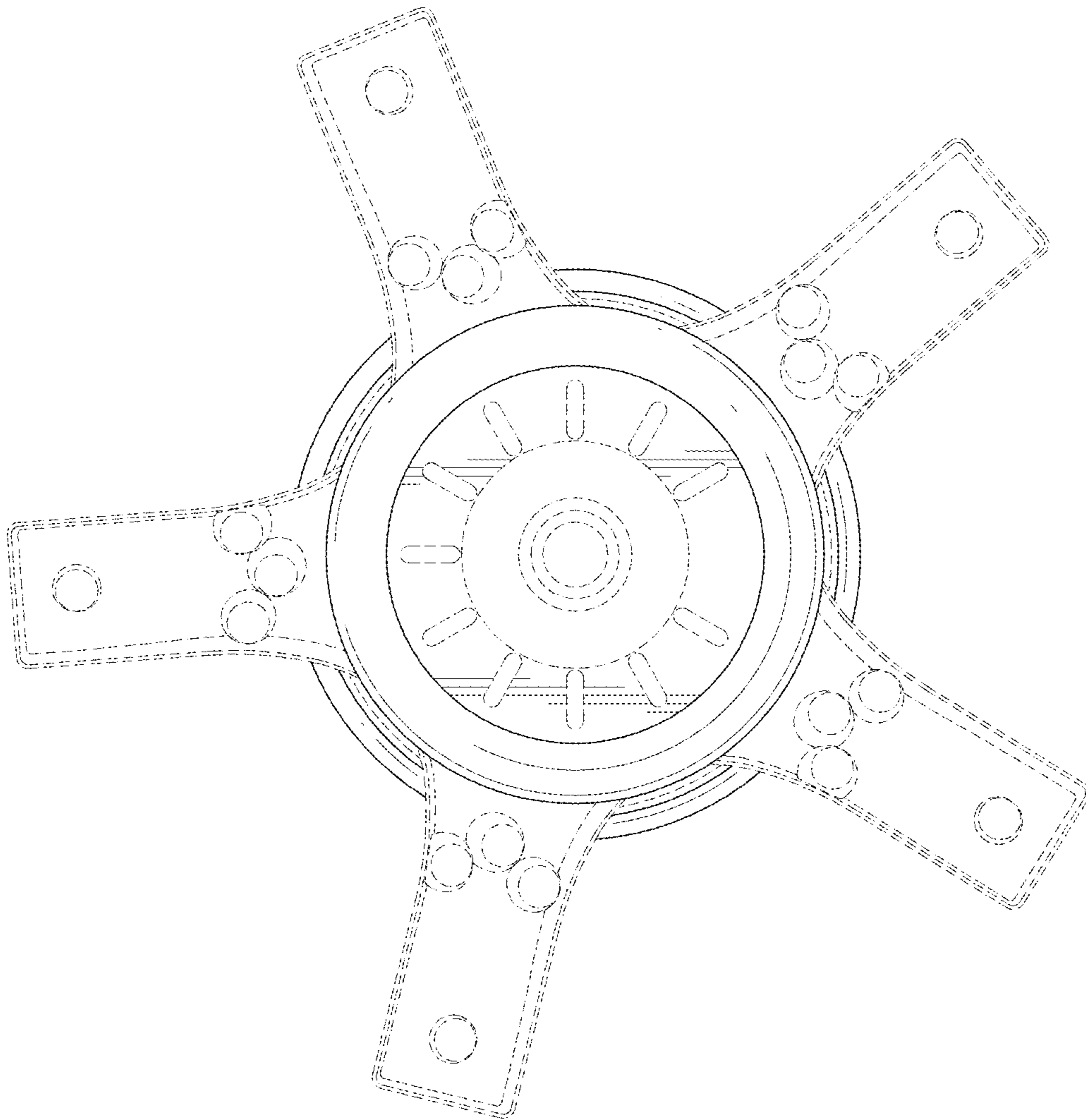


FIG. 6

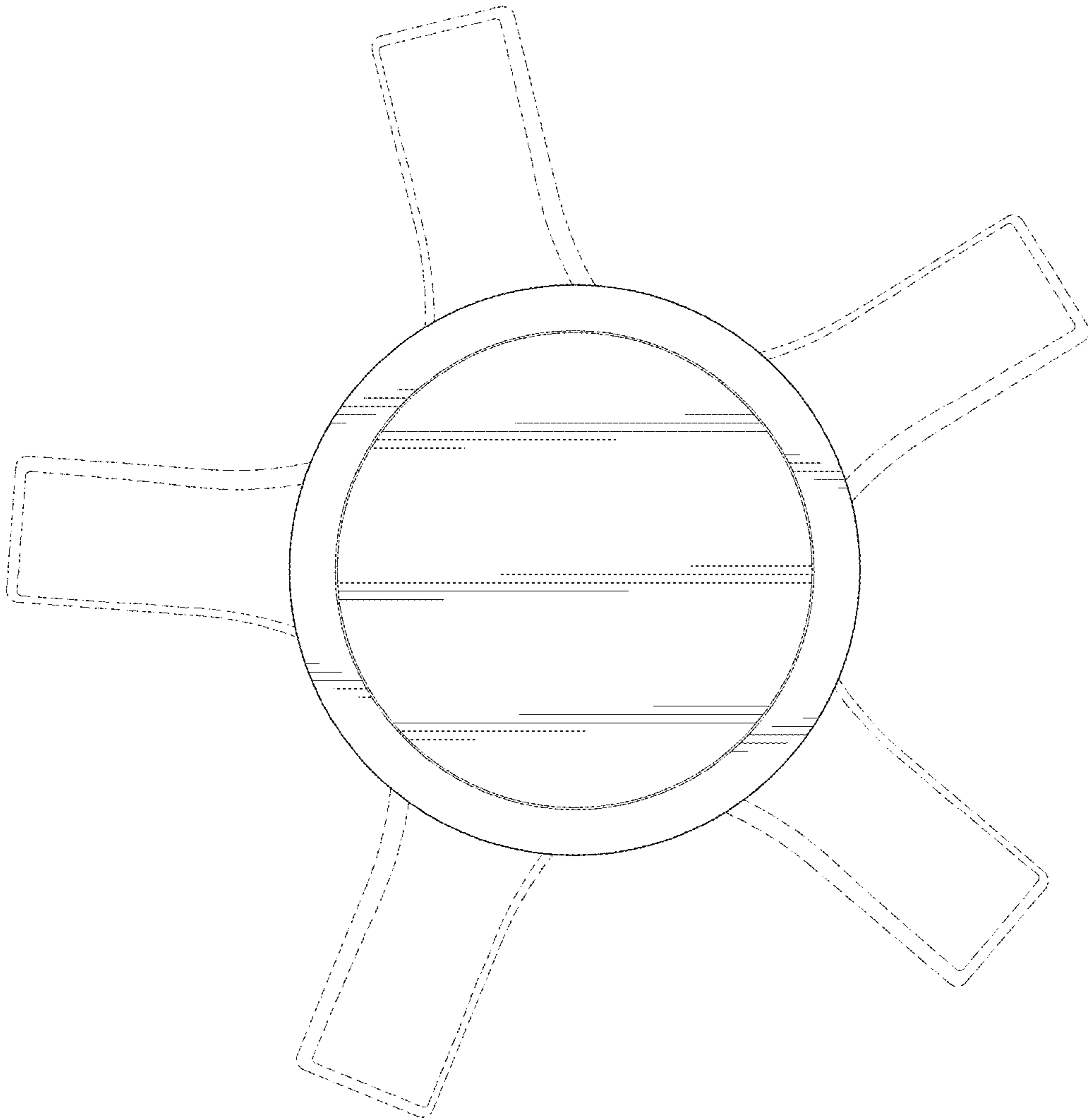


FIG. 7

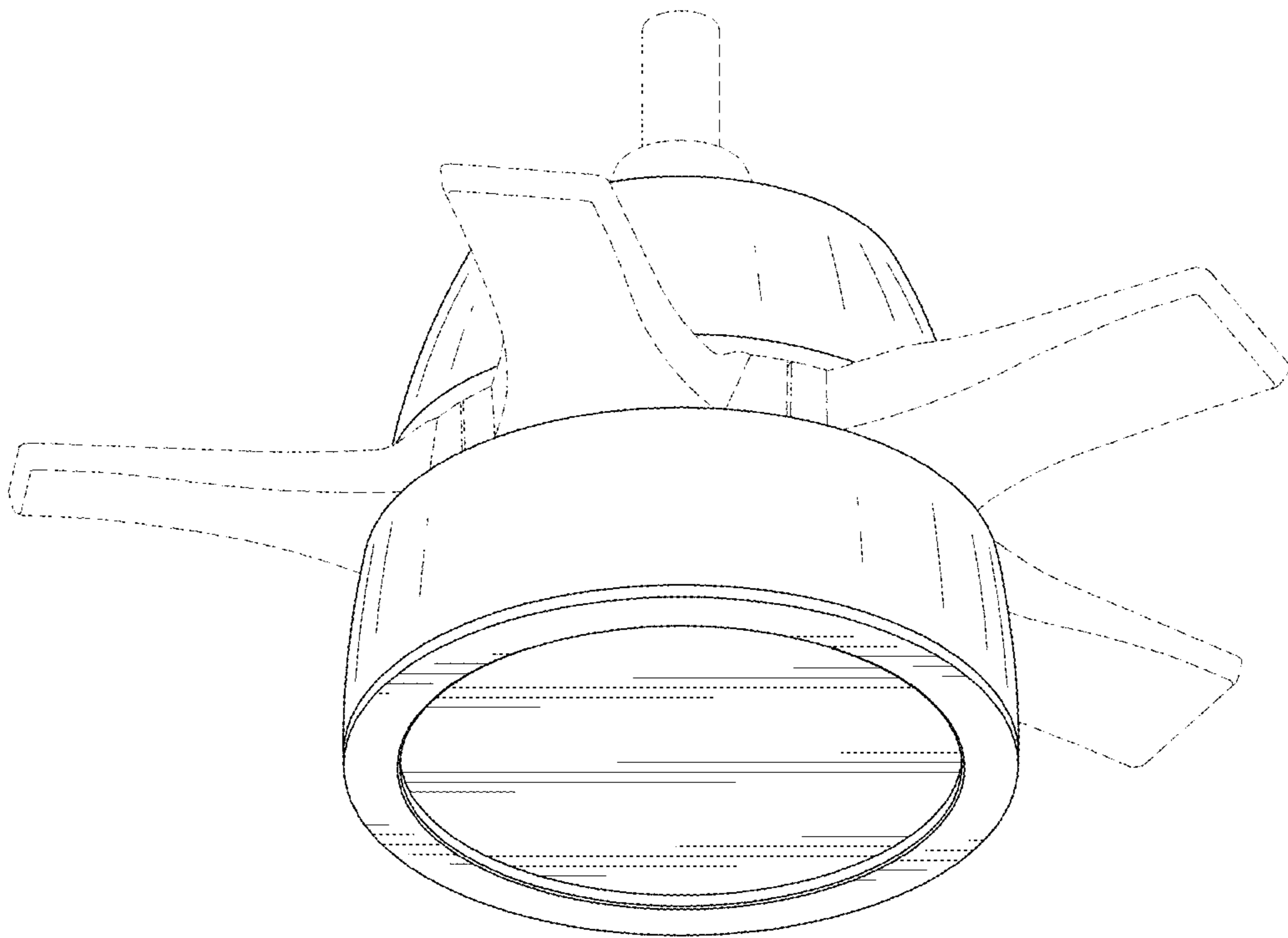


FIG. 8