



US00D877315S

(12) **United States Design Patent** (10) **Patent No.:** **US D877,315 S**
Pickett (45) **Date of Patent:** **** Mar. 3, 2020**

(54) **CEILING FAN HOUSING WITH LIGHT KIT**

(71) Applicant: **YOUNGO LIMITED**, Central (HK)

(72) Inventor: **Mark Pickett**, Altadena, CA (US)

(73) Assignee: **YOUNGO LIMITED**, Central (HK)

(**) Term: **15 Years**

(21) Appl. No.: **29/660,695**

(22) Filed: **Aug. 22, 2018**

(51) **LOC (12) Cl.** **23-03**

(52) **U.S. Cl.**
USPC **D23/411**; D26/59

(58) **Field of Classification Search**
USPC D23/370-385, 411-414; D26/59;
D12/214, 339, 344
CPC F04D 25/088; F04D 29/38; F04D 29/384;
F04D 29/386; F21V 33/0096
See application file for complete search history.

(56) **References Cited**

U.S. PATENT DOCUMENTS

D437,928 S *	2/2001	Dolan	D23/411
D628,687 S *	12/2010	Yao	D23/377
D707,336 S *	6/2014	Pan	D23/377
D759,799 S *	6/2016	Wang	D23/385
D800,290 S *	10/2017	Searle	D23/377
D816,204 S *	4/2018	McRoberts	D23/377

OTHER PUBLICATIONS

Savoy House 72-5045-813-13 Bluffton 72" 8 Blade Ceiling Fan, English bronze Finish, date first available Feb. 7, 2017, site visited

Dec. 6, 2019, Copyright © 1996-2019, <<https://www.amazon.com/Savoy-House-72-5045-813-13-Bluffton-Ceiling/dp/B01N80N401?th=1>>.*

* cited by examiner

Primary Examiner — Cathron C Brooks

Assistant Examiner — Sharon S Oum

(74) *Attorney, Agent, or Firm* — Muncy, Geissler, Olds & Lowe, P.C.

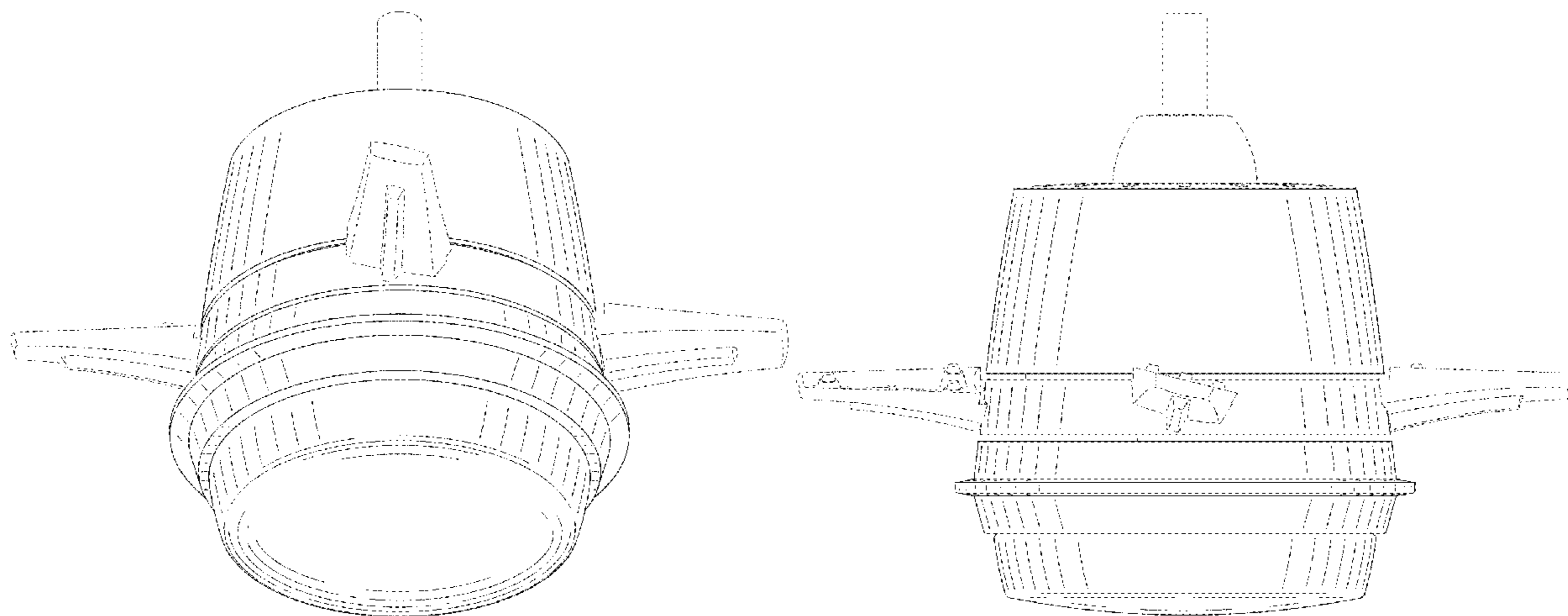
(57) **CLAIM**

The ornamental design for a ceiling fan housing with light kit, as shown and described.

DESCRIPTION

FIG. 1 is a perspective view of a ceiling fan housing with light kit, showing the new design; FIG. 2 is a front elevational view thereof; FIG. 3 is a rear elevational view thereof; FIG. 4 is a left side elevational view thereof; FIG. 5 is a right side elevational view thereof; FIG. 6 is a top plan view thereof; and, FIG. 7 is a bottom plan view thereof. The broken lines shown in FIGS. 1-7 depict portions of the ceiling fan housing with light kit that form no part of the claimed design.

1 Claim, 7 Drawing Sheets



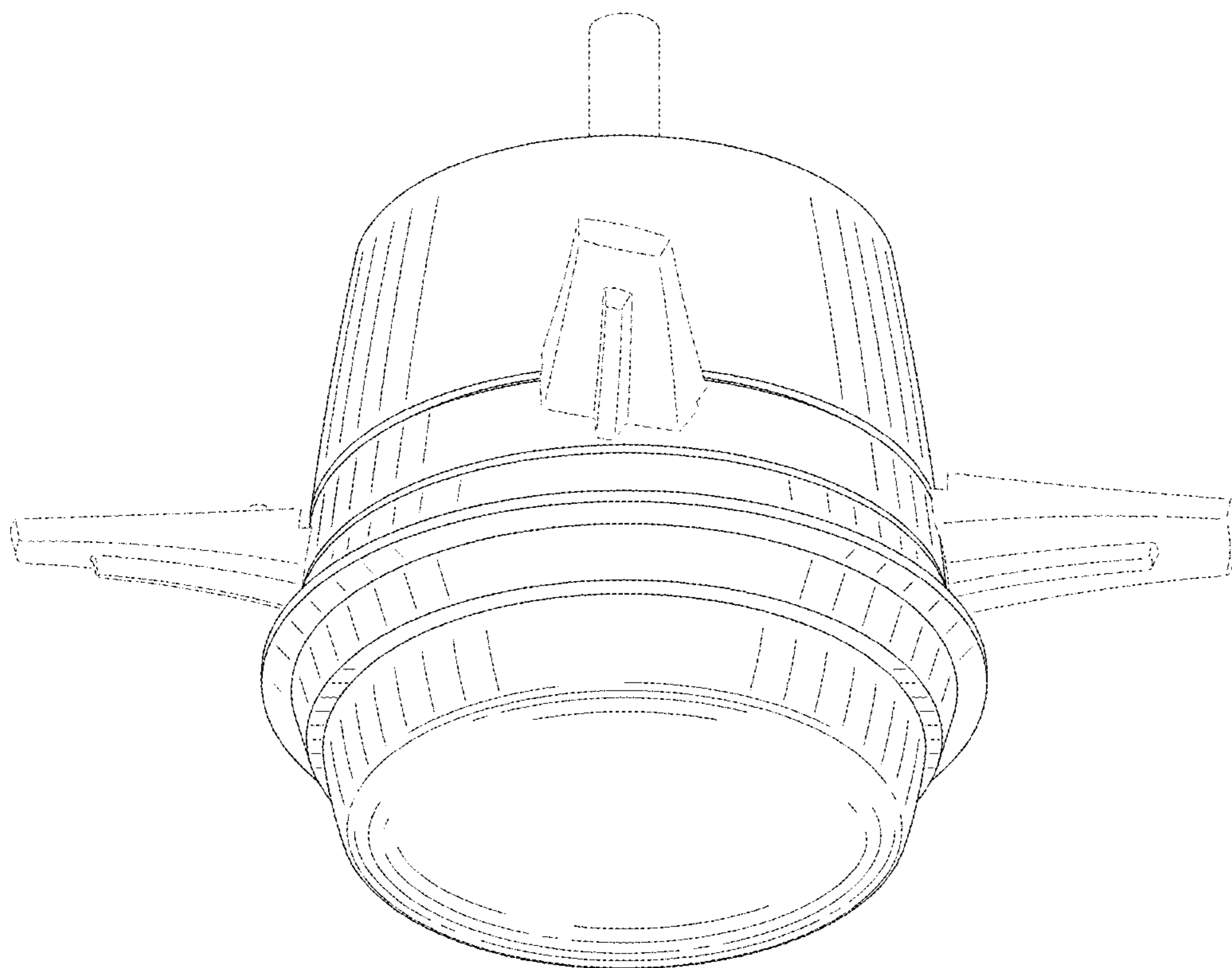


FIG. 1

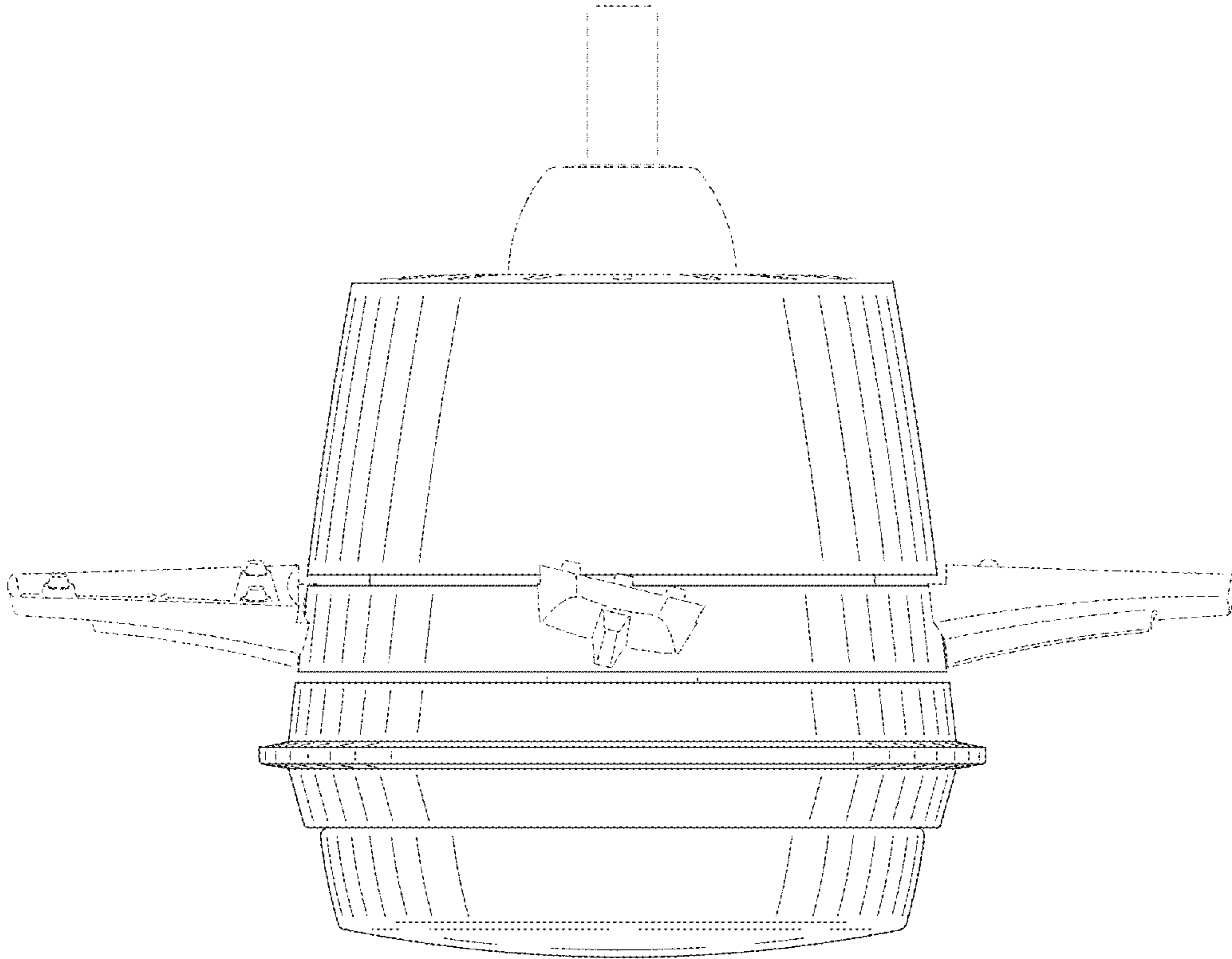


FIG. 2

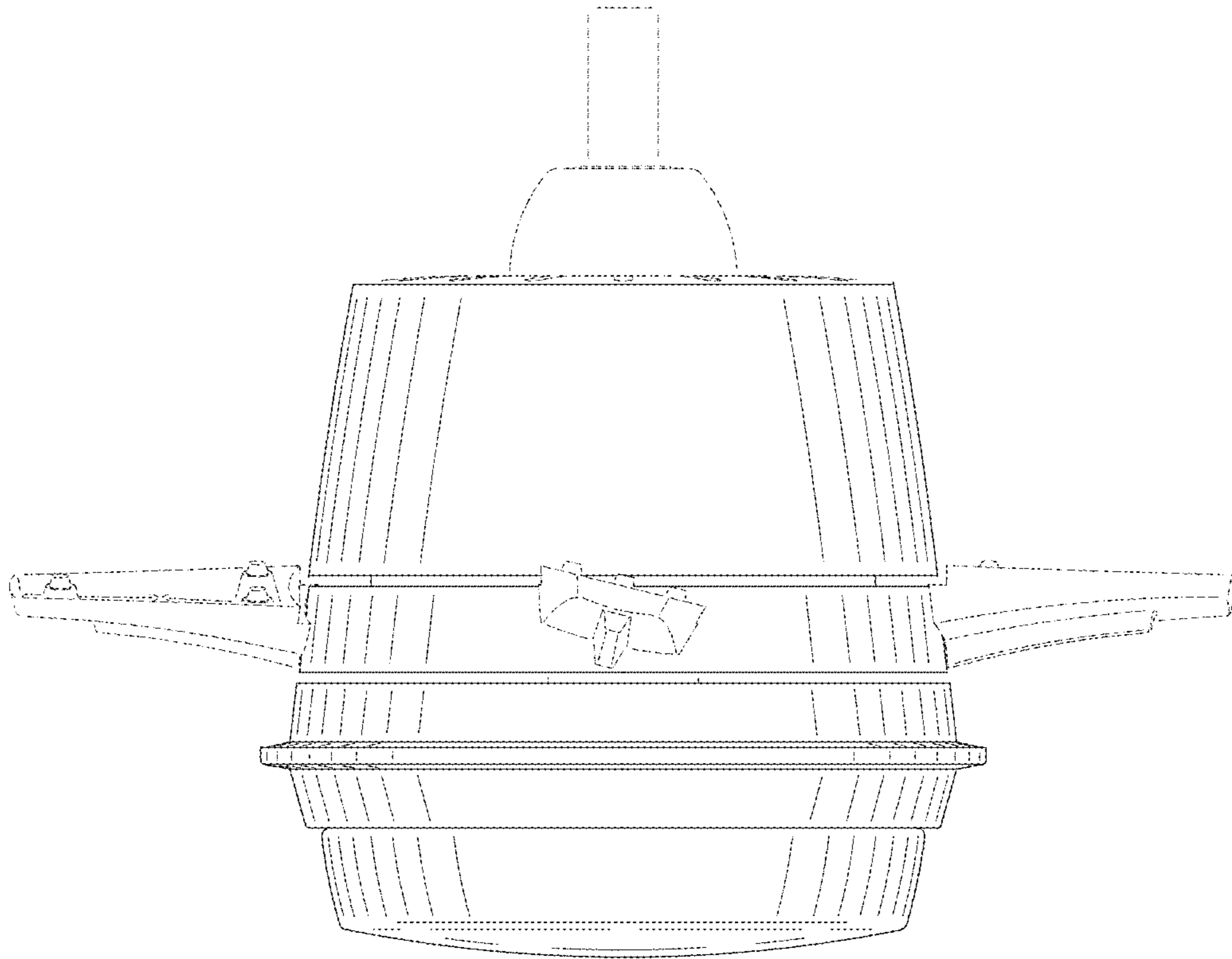


FIG. 3

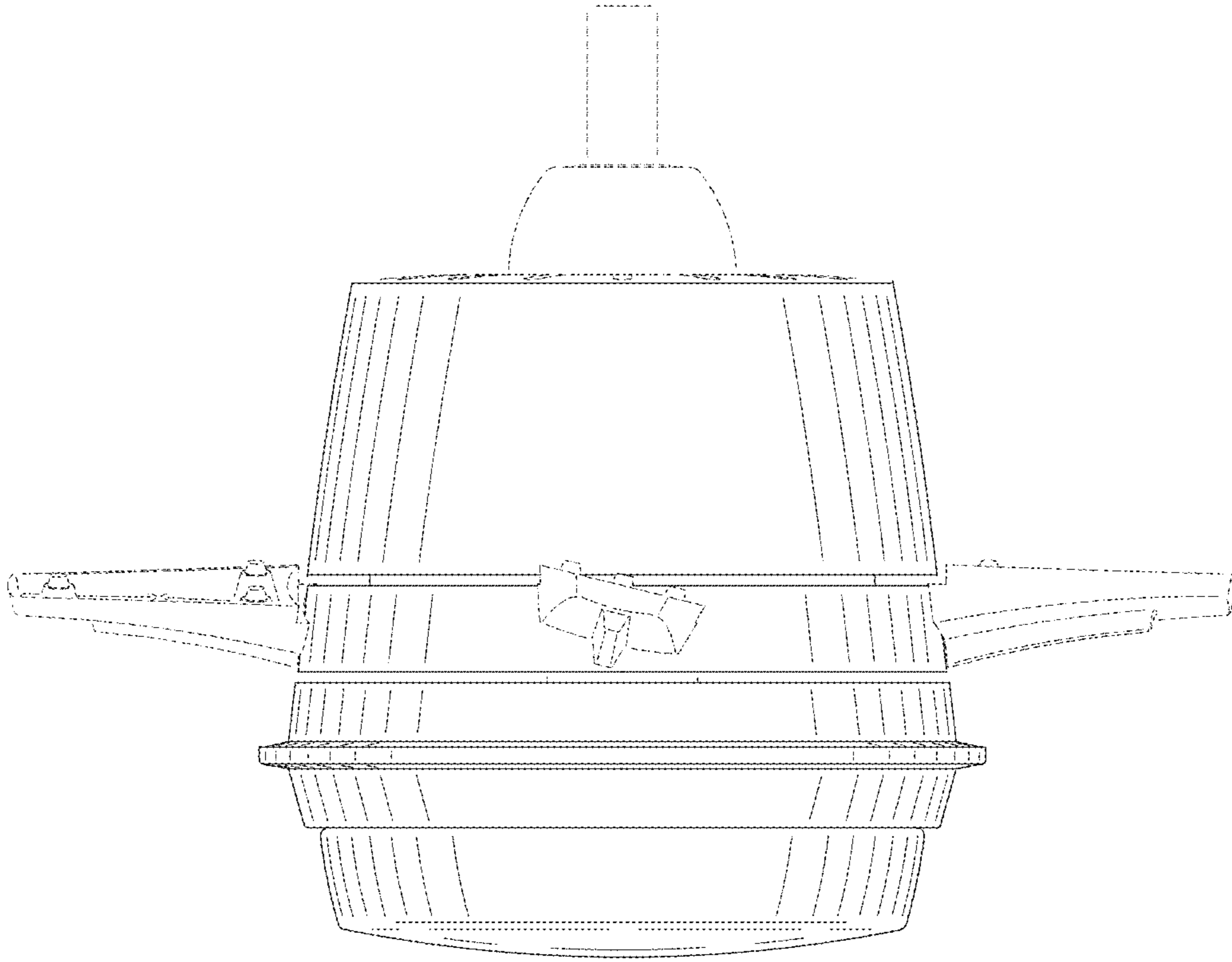


FIG. 4

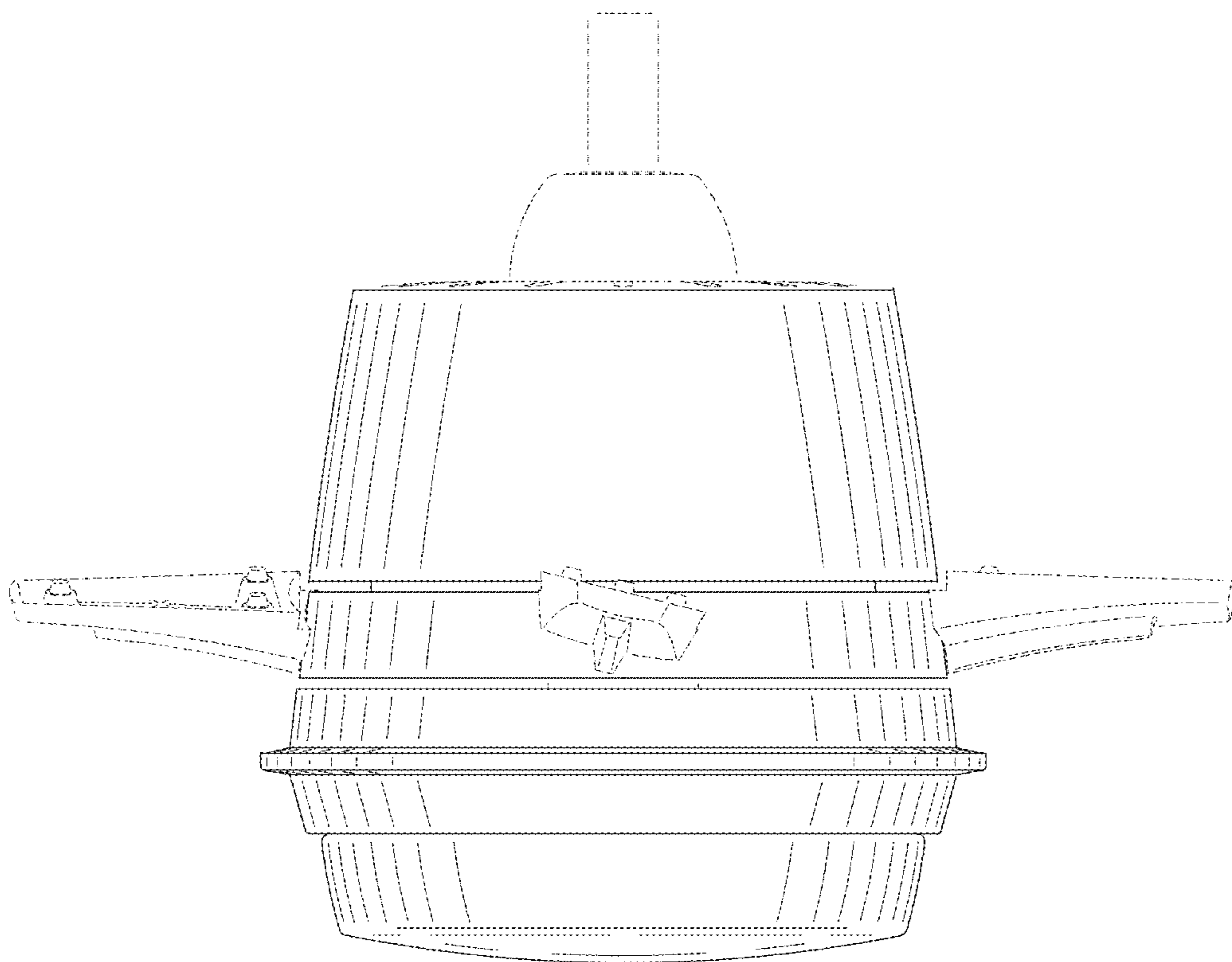


FIG. 5

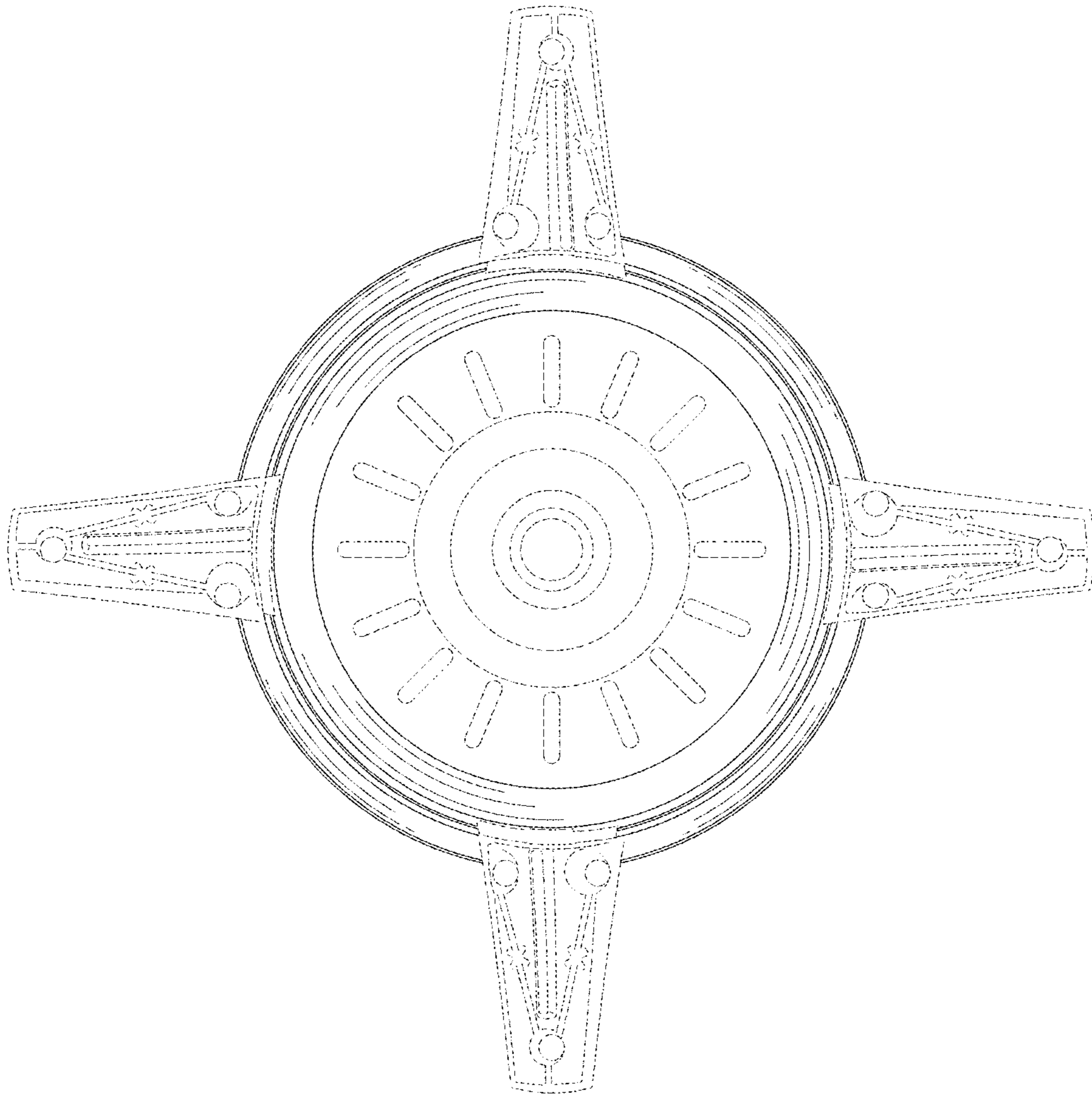


FIG. 6

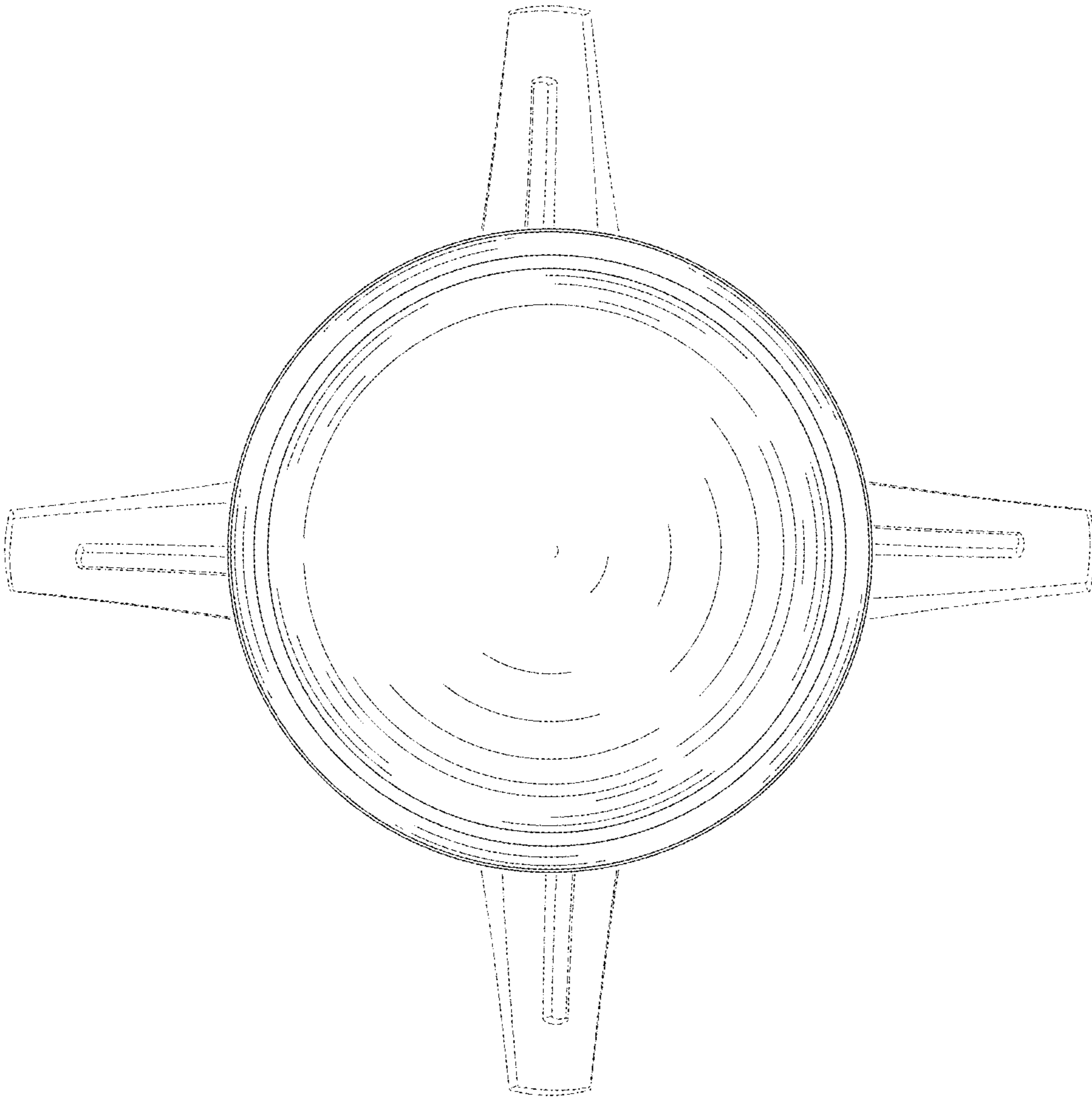


FIG. 7