



US00D877314S

(12) **United States Design Patent** (10) **Patent No.:** **US D877,314 S**  
**Holmes** (45) **Date of Patent:** **\*\* Mar. 3, 2020**

- (54) **CEILING FAN MOTOR HOUSING**
- (71) Applicant: **HUNTER FAN COMPANY**,  
Memphis, TN (US)
- (72) Inventor: **Christine Holmes**, Memphis, TN (US)
- (73) Assignee: **Hunter Fan Company**, Memphis, TN  
(US)
- (\*\*) Term: **15 Years**
- (21) Appl. No.: **29/629,914**
- (22) Filed: **Dec. 18, 2017**

- D584,810 S 1/2009 Pickett
- D595,004 S 6/2009 Pan
- D627,053 S \* 11/2010 Pan ..... D23/411
- D627,873 S \* 11/2010 Pan ..... D23/411
- D627,874 S 11/2010 Pan
- D628,688 S 12/2010 Pan

(Continued)

**OTHER PUBLICATIONS**

[http://www.montecarlofanlights.com/lighting/7-449-621-0-495322/Monte-Carlo-Fans\\_Vision-Max---56--Ceiling-Fan-with-Light-Kit-3VISMALX.htm](http://www.montecarlofanlights.com/lighting/7-449-621-0-495322/Monte-Carlo-Fans_Vision-Max---56--Ceiling-Fan-with-Light-Kit-3VISMALX.htm), Item Specification for Monte Carlo 3VISMALX 36in Vision Max Ceiling Fan with Light Kit, accessed on Oct. 26, 2016.

(Continued)

*Primary Examiner* — Janice Hallmark  
(74) *Attorney, Agent, or Firm* — McGarry Bair PC

**Related U.S. Application Data**

- (62) Division of application No. 29/582,298, filed on Oct. 26, 2016.
- (51) **LOC (12) Cl.** ..... **23-04**
- (52) **U.S. Cl.**  
USPC ..... **D23/411**
- (58) **Field of Classification Search**  
USPC ... D26/59, 24, 118, 119, 121–124, 128–137;  
D23/370, 377–382, 411–414  
CPC ..... F04D 25/088; F04D 29/38; F21V 21/03;  
B63H 1/16  
See application file for complete search history.

(57) **CLAIM**

The ornamental design for a ceiling fan motor housing, as shown and described.

**DESCRIPTION**

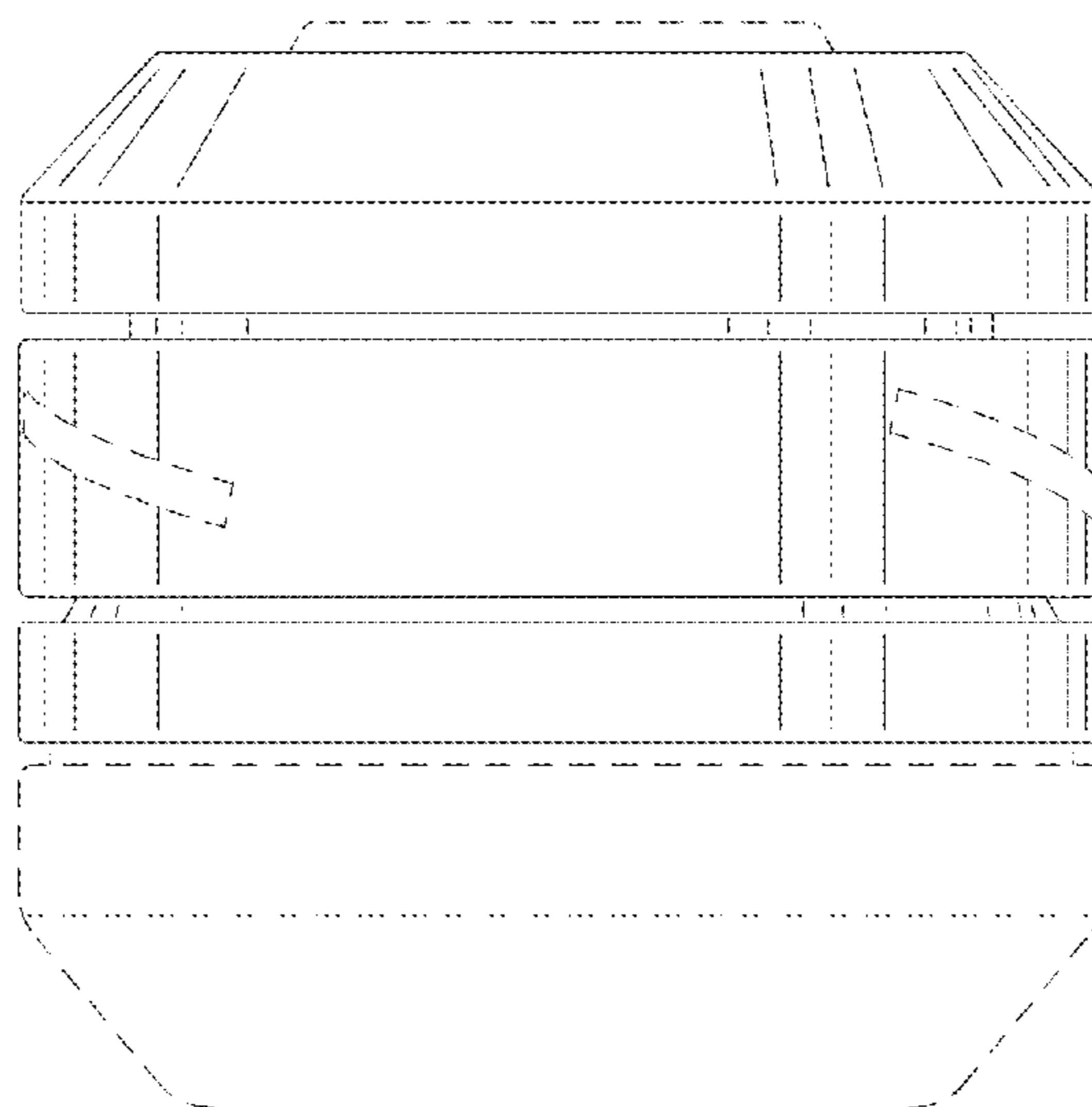
FIG. 1 is a top perspective view of a ceiling fan motor housing showing my new design in the environment of a ceiling fan;  
FIG. 2 is a bottom perspective view thereof;  
FIG. 3 is a top view thereof;  
FIG. 4 is a bottom view thereof;  
FIG. 5 is a front side view thereof;  
FIG. 6 is a rear side view thereof;  
FIG. 7 is a right side view thereof; and,  
FIG. 8 is a left side view thereof.  
The broken lines showing a ceiling fan in FIG. 1 illustrate environmental subject matter only and form no part of the claimed design. All other broken lines depict portions of the ceiling fan motor housing that form no part of the claimed design.

(56) **References Cited**

**U.S. PATENT DOCUMENTS**

- D290,748 S 7/1987 Kawai
- D297,974 S 10/1988 Sonneman
- D312,139 S \* 11/1990 Wang ..... D23/377
- D314,618 S 2/1991 Yen
- D328,491 S 8/1992 Markwardt
- D328,785 S 8/1992 Markwardt
- D333,867 S 3/1993 Markwardt
- D344,129 S 2/1994 Markwardt
- D345,790 S 4/1994 Caldwell
- D357,978 S 5/1995 Young
- D453,216 S 1/2002 Gajewski
- D547,436 S \* 7/2007 Shurtleff ..... D23/411

**1 Claim, 8 Drawing Sheets**



(56)

References Cited

U.S. PATENT DOCUMENTS

D632,384	S	2/2011	Pan	
D704,819	S	5/2014	Wang	
D706,406	S	6/2014	Wang	
D706,477	S *	6/2014	Wang	D26/59
D706,919	S	6/2014	Wang	
D706,970	S *	6/2014	Wang	D26/59
D707,336	S	6/2014	Pan	
D707,344	S	6/2014	Wang	
D744,081	S	11/2015	Wang	
D744,082	S	11/2015	Wang	
D744,634	S	12/2015	Wang	
D751,187	S	3/2016	Dolan	
D759,799	S	6/2016	Wang	
D771,794	S	11/2016	Wang	
D782,644	S	3/2017	Wang	
D783,797	S	4/2017	Badarello et al.	
D788,283	S	5/2017	Busta	
D788,286	S	5/2017	Busta	
D801,515	S *	10/2017	Wang	D23/411
D810,270	S *	2/2018	Wang	D23/411
D826,395	S *	8/2018	McRoberts	D23/411
D838,356	S *	1/2019	Haggar	D23/411
D838,357	S *	1/2019	Haggar	D23/411
D855,172	S *	7/2019	Holmes	D23/411
2005/0249598	A1	11/2005	Young	

OTHER PUBLICATIONS

<http://www.minkagroup.net/all-collections?keys=F531-L-BN>, Item Specification for Minka Aire Flyte F531-L-BN Ceiling Fan, accessed on Oct. 26, 2016.

<https://www.lightingdirect.com/fanimation-zonix-led-54-3-blade-fansync-compatible-ceiling-fan-blades-led-light-kit-and-remote-control-included/p2444160>, Item Specification for Fanimation FP4650BN Brushed Nickel 54in Ceiling Fan, accessed on Oct. 26, 2016.

<http://www.kichler.com/products/product/arkwright-ceiling-fan-obb-300146obb.aspx>, Item Specification for Kichler 300146PN Ceiling Fan, accessed on Oct. 26, 2016.

<http://www.craftmade.com/Ellington-Fans-BEL52BNK3CRW-Nickel-Ceiling-Fan.HTM>, Item Specification for Craftmade BEL52BNK3CRW—Beltre Ceiling Fan, accessed on Oct. 26, 2016.

[http://www.emersonfanexperts.com/lighting/7-449-621-0-415680/Emerson-Fans\\_Highrise---50--Ceiling-Fan-CF430BS.htm](http://www.emersonfanexperts.com/lighting/7-449-621-0-415680/Emerson-Fans_Highrise---50--Ceiling-Fan-CF430BS.htm), Item Specification for Emerson CF430BS Highrise 50in Ceiling Fan, accessed on Oct. 26, 2016.

<http://www.craftmade.com/Ellington-Fans-LAVH44BP4-Flush-Mount-Ceiling-Fan.HTM>, Item Specification for Craftmade LAVH44BP4 Laval Hugger Fan, accessed on Oct. 26, 2016.

<http://www.hunterfan.com/Ceiling-Fans/Signal?ModelNumber=59224>, Item Specification for Hunter Signal 54in Model 59224 Fan, accessed on Oct. 26, 2016.

<http://www.homedepot.com/p/Hampton-Bay-Pilot-60-in-and-52-in-Brushed-Nickel-Ceiling-Fan-34313/202075536>, Item Specification for Hampton Bay Pilot Model 34313 Fan, accessed on Oct. 26, 2016.

<http://www.homedepot.com/p/Hampton-Bay-Marucci-52-in-Brushed-Nickel-Ceiling-Fan-YG464C-BN/206151034>, Item Specification for Hampton Bay Marucci Model YG464C-BN, accessed on Oct. 26, 2016.

\* cited by examiner

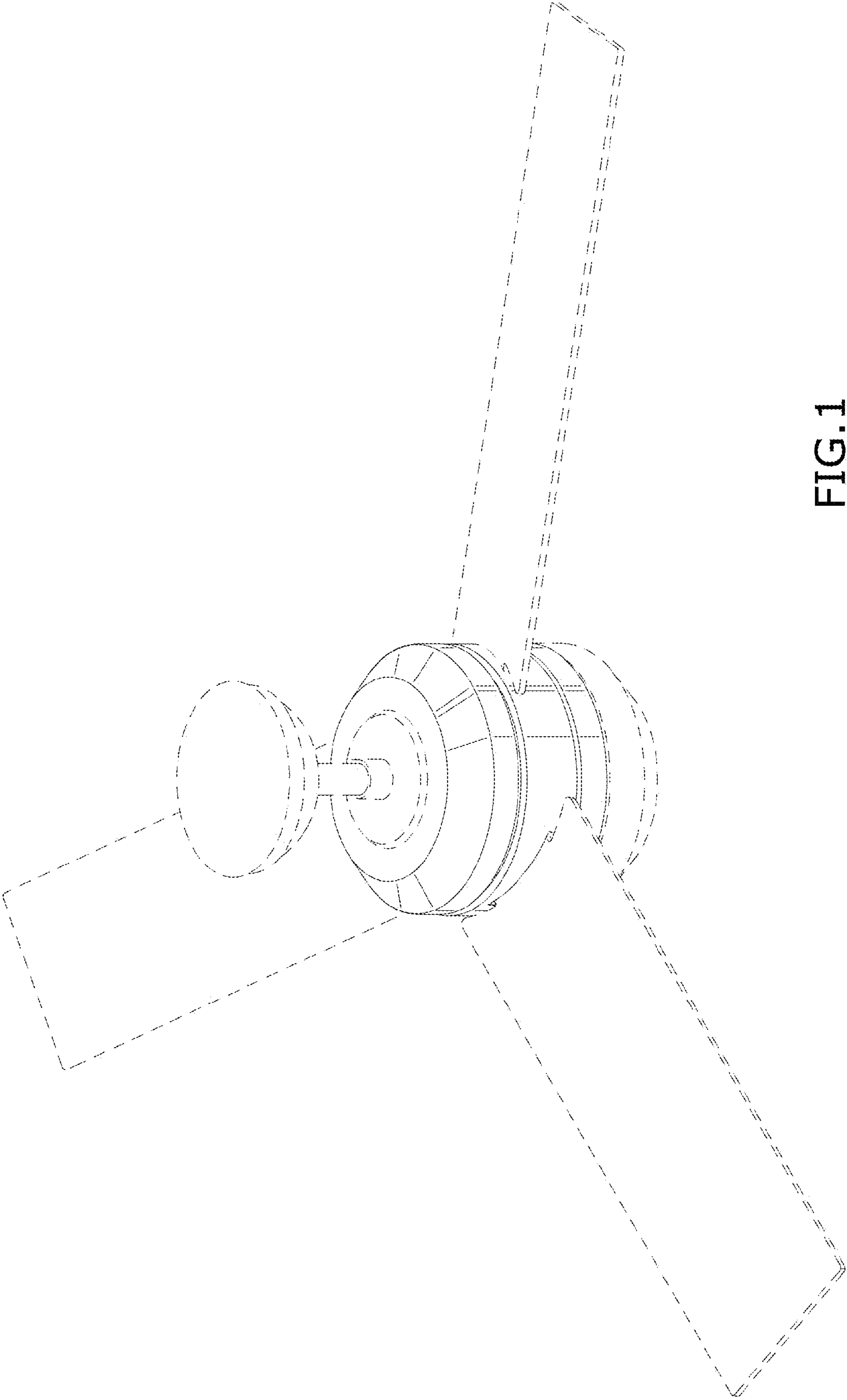


FIG.1

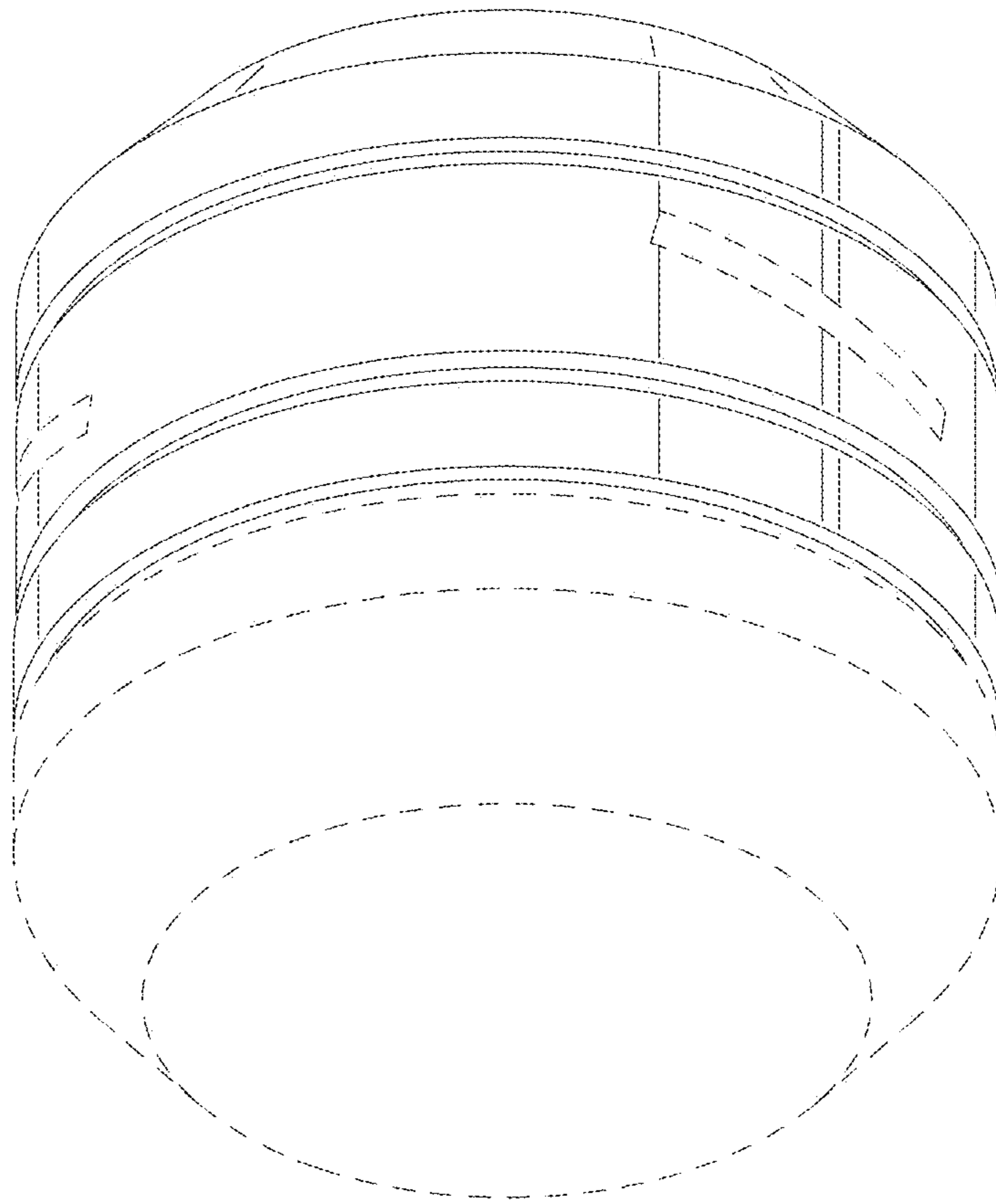


FIG.2

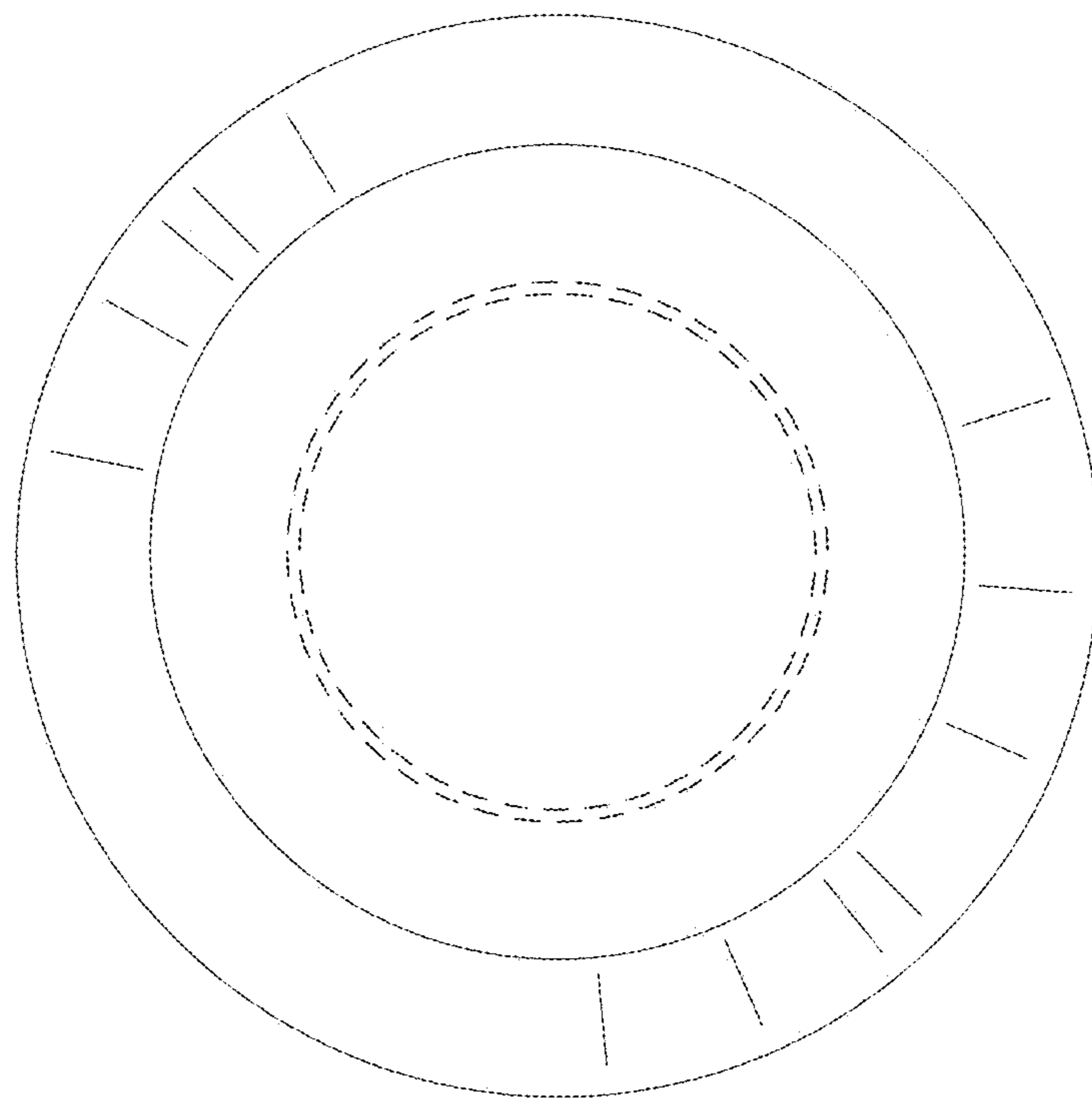


FIG. 3

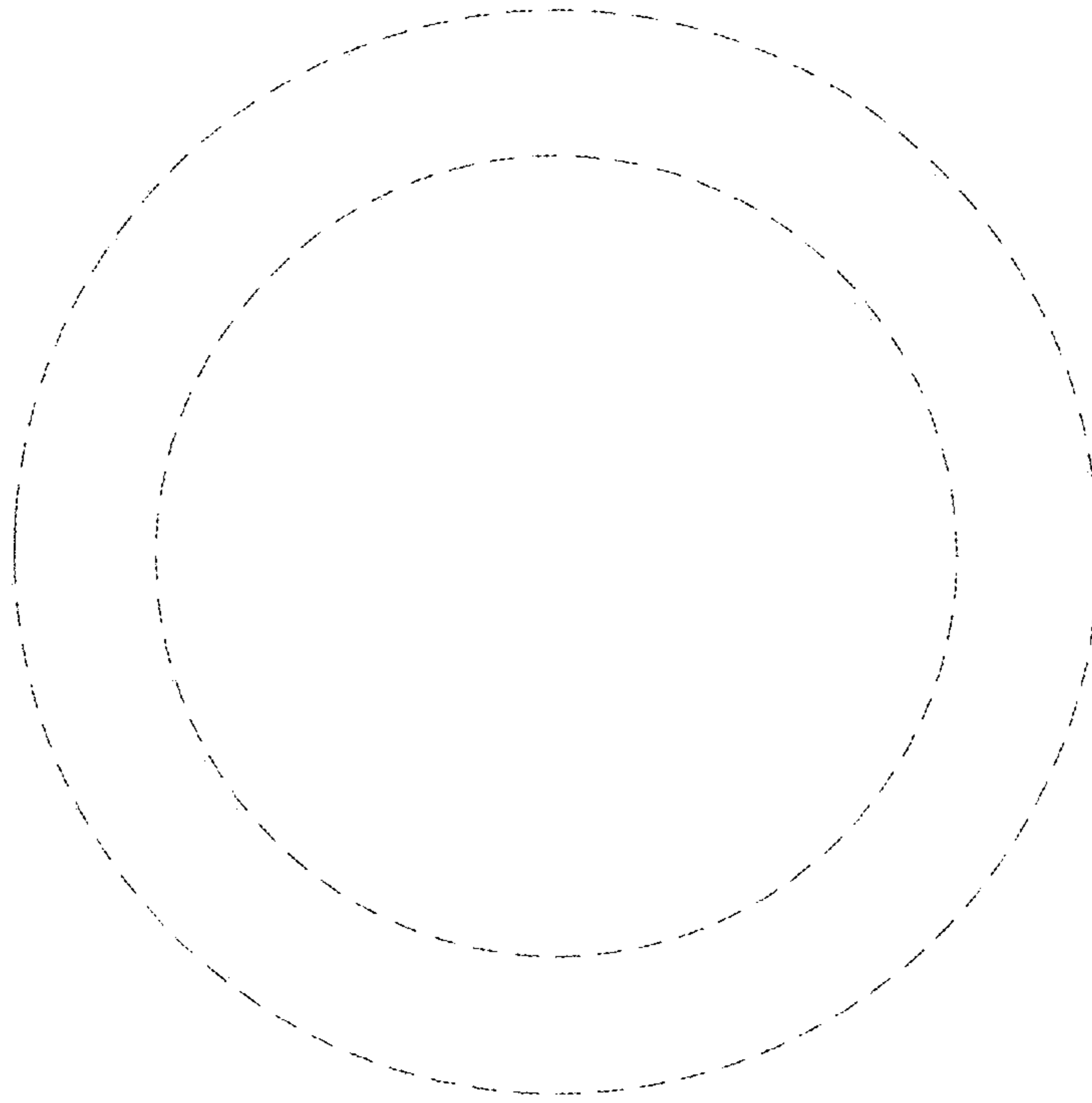


FIG.4

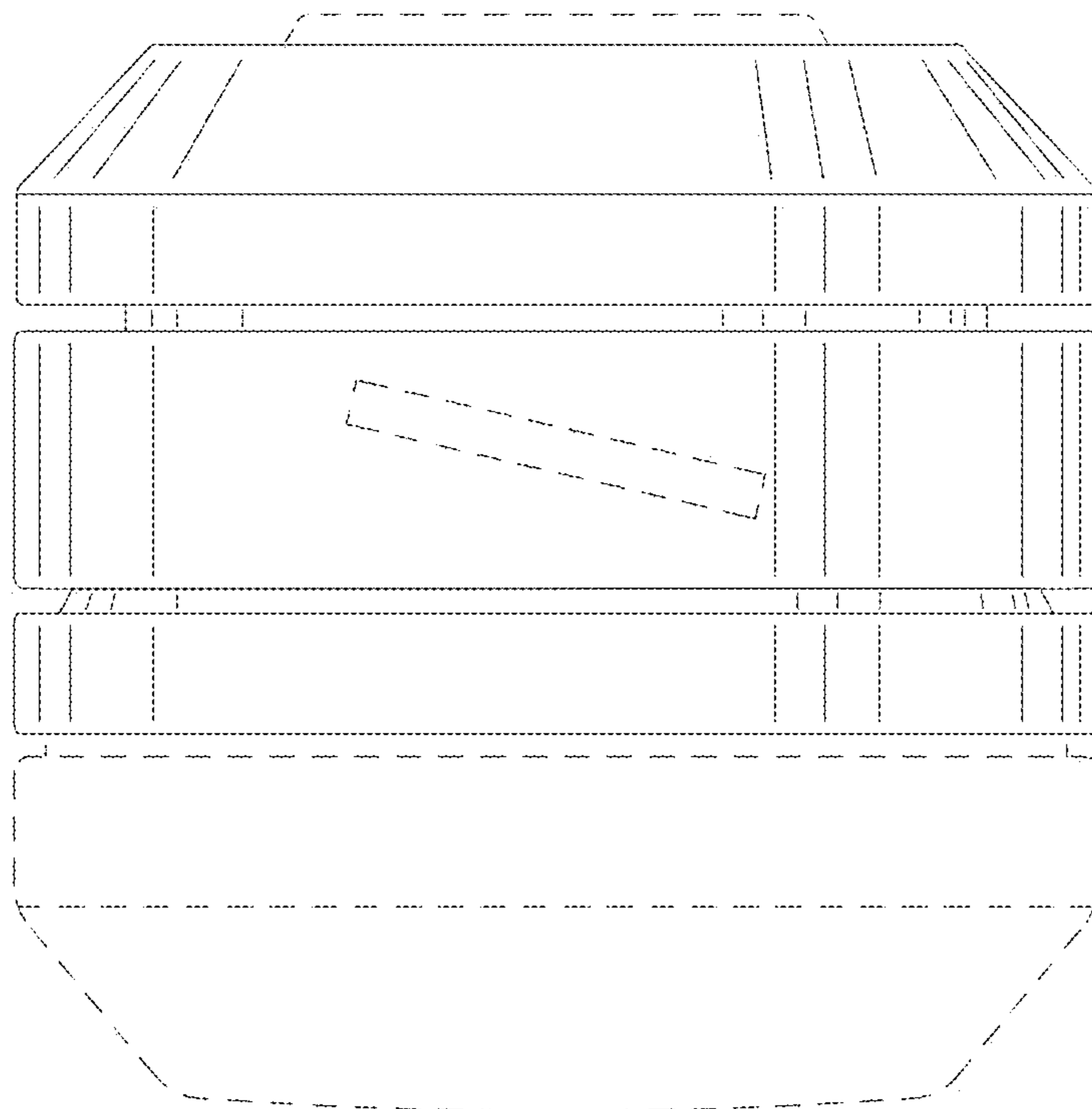


FIG. 5

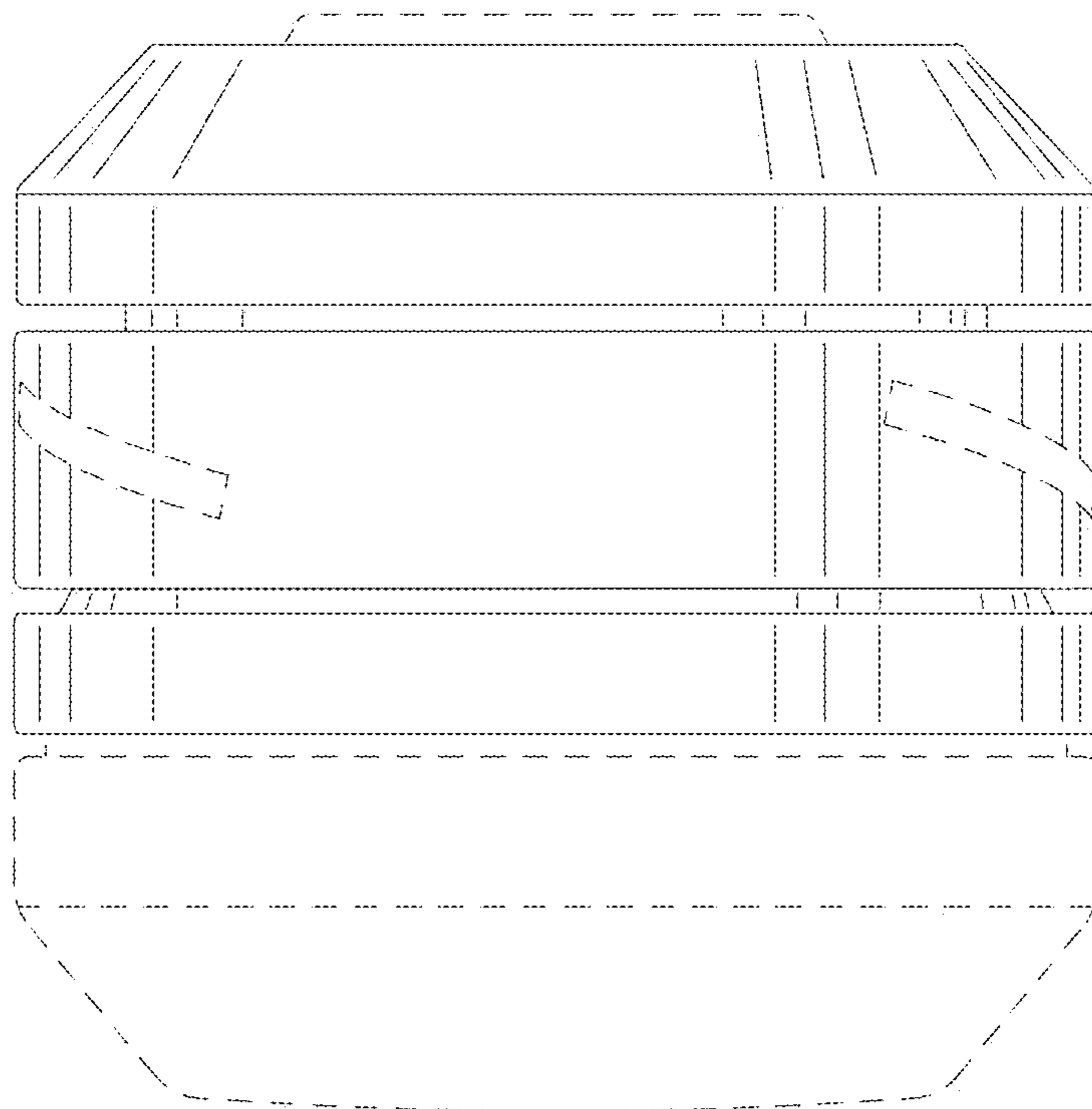


FIG.6



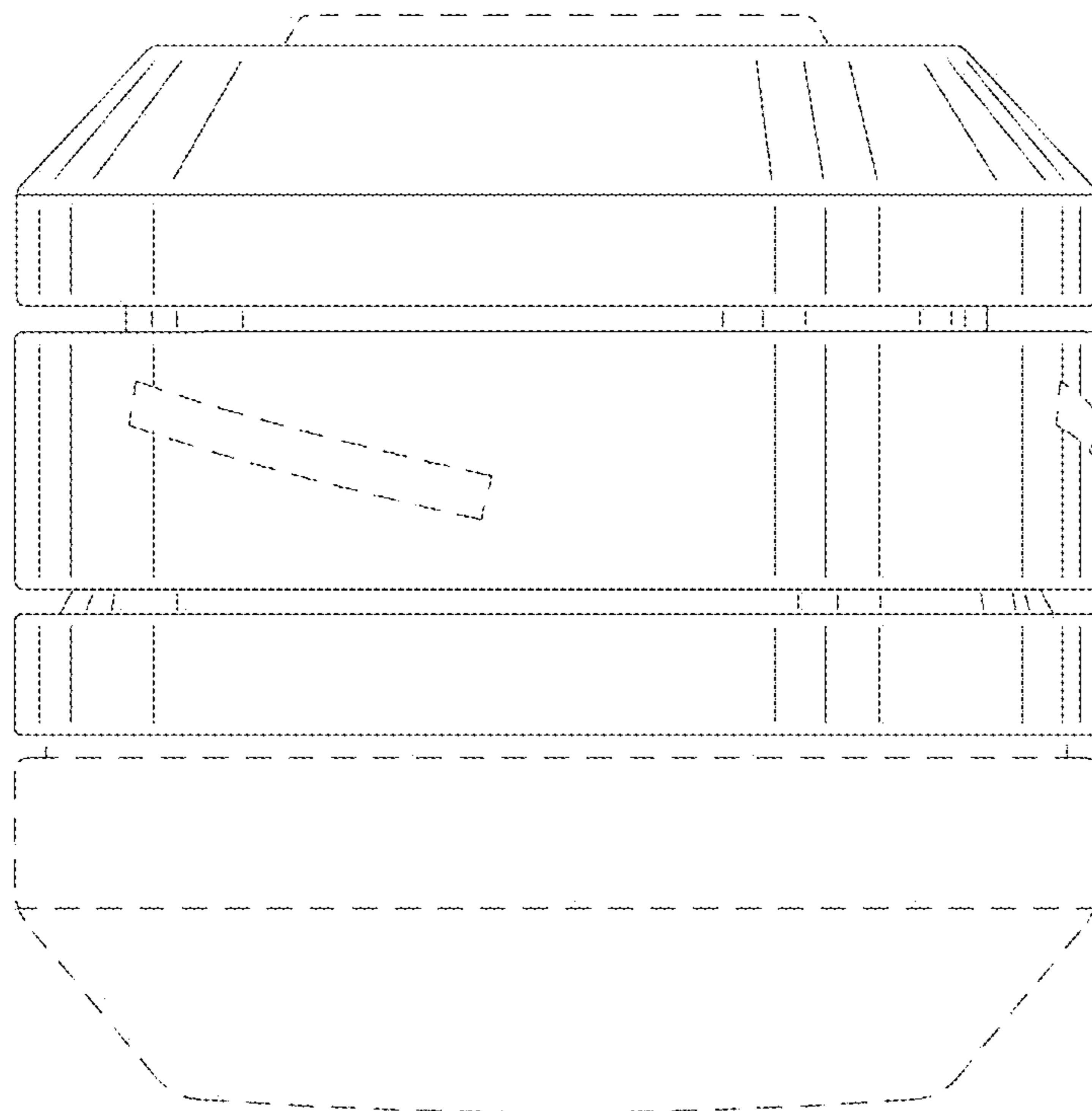


FIG.7

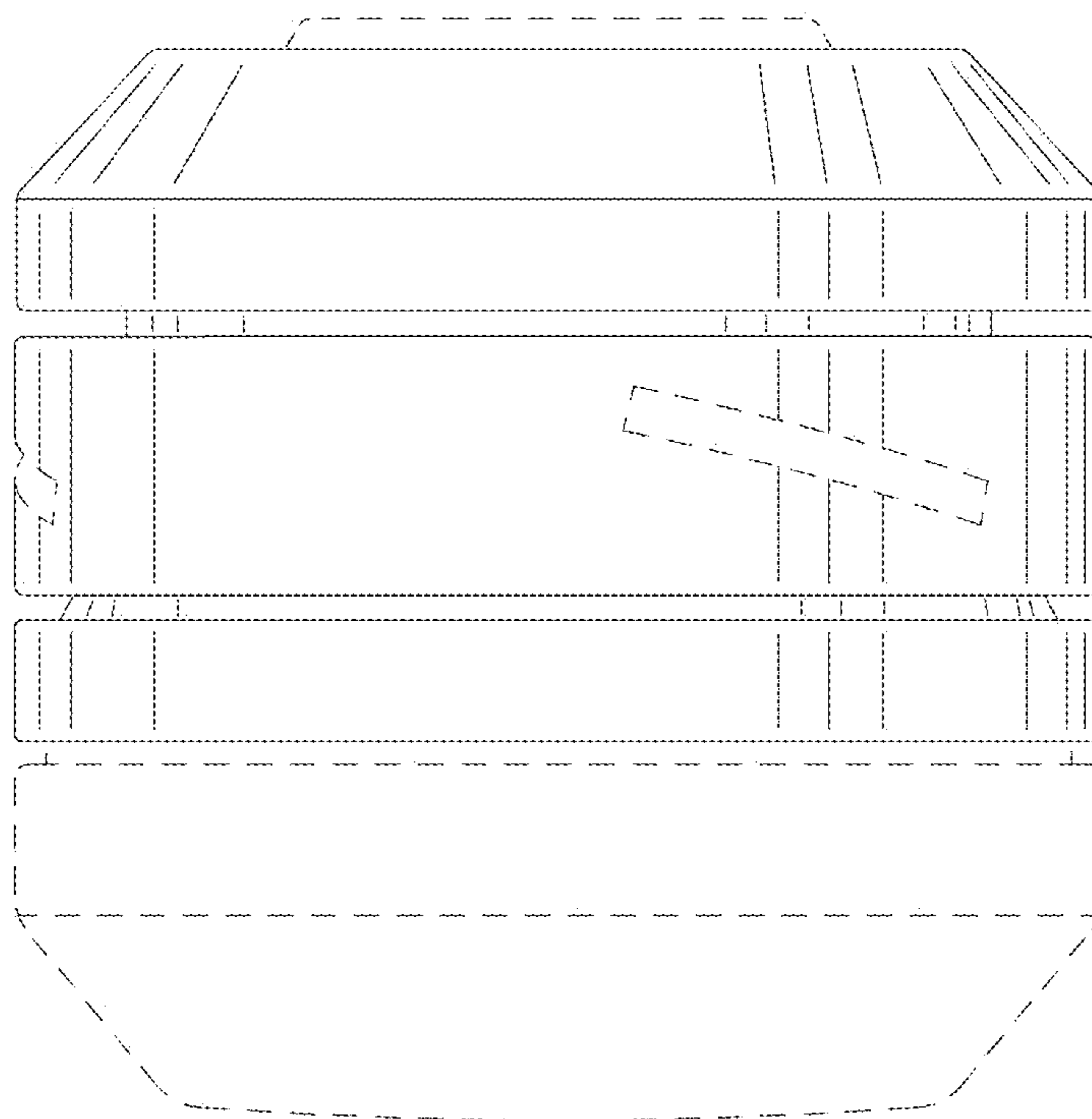


FIG.8