



US00D877310S

(12) **United States Design Patent**  
**Wang**

(10) **Patent No.:** **US D877,310 S**  
(45) **Date of Patent:** **\*\* Mar. 3, 2020**

- (54) **CEILING FAN**
- (71) Applicant: **AIR COOL INDUSTRIAL CO., LTD.**, Taichung (TW)
- (72) Inventor: **Cliff Wang**, Taichung (TW)
- (73) Assignee: **AIR COOL INDUSTRIAL CO., LTD.**, Taichung (TW)
- (\*\*) Term: **15 Years**
- (21) Appl. No.: **29/661,803**
- (22) Filed: **Aug. 30, 2018**
- (51) **LOC (12) Cl.** ..... **23-04**
- (52) **U.S. Cl.**  
USPC ..... **D23/377**
- (58) **Field of Classification Search**  
USPC ..... D23/370–385, 411–414; D26/59, 49, 72,  
D26/89, 118, 124; D12/214, 339, 344  
CPC ..... F04D 25/088; F04D 29/38; F04D 29/384;  
F04D 29/386; F21V 33/0096  
See application file for complete search history.

D800,289 S *	10/2017	Guthrie .....	D23/377
D800,891 S *	10/2017	McRoberts .....	D23/377
D804,641 S *	12/2017	McRoberts .....	D23/377
D805,175 S *	12/2017	Haggar .....	D23/377
D807,488 S *	1/2018	McRoberts .....	D23/377
2009/0122572 A1 *	5/2009	Page .....	F04D 25/088 362/555

\* cited by examiner

*Primary Examiner* — Cathron C Brooks

*Assistant Examiner* — Sharon S Oum

(74) *Attorney, Agent, or Firm* — Pai Patent & Trademark Law Firm; Chao-Chang David Pai

(57) **CLAIM**

The ornamental design for a ceiling fan, as shown and described.

**DESCRIPTION**

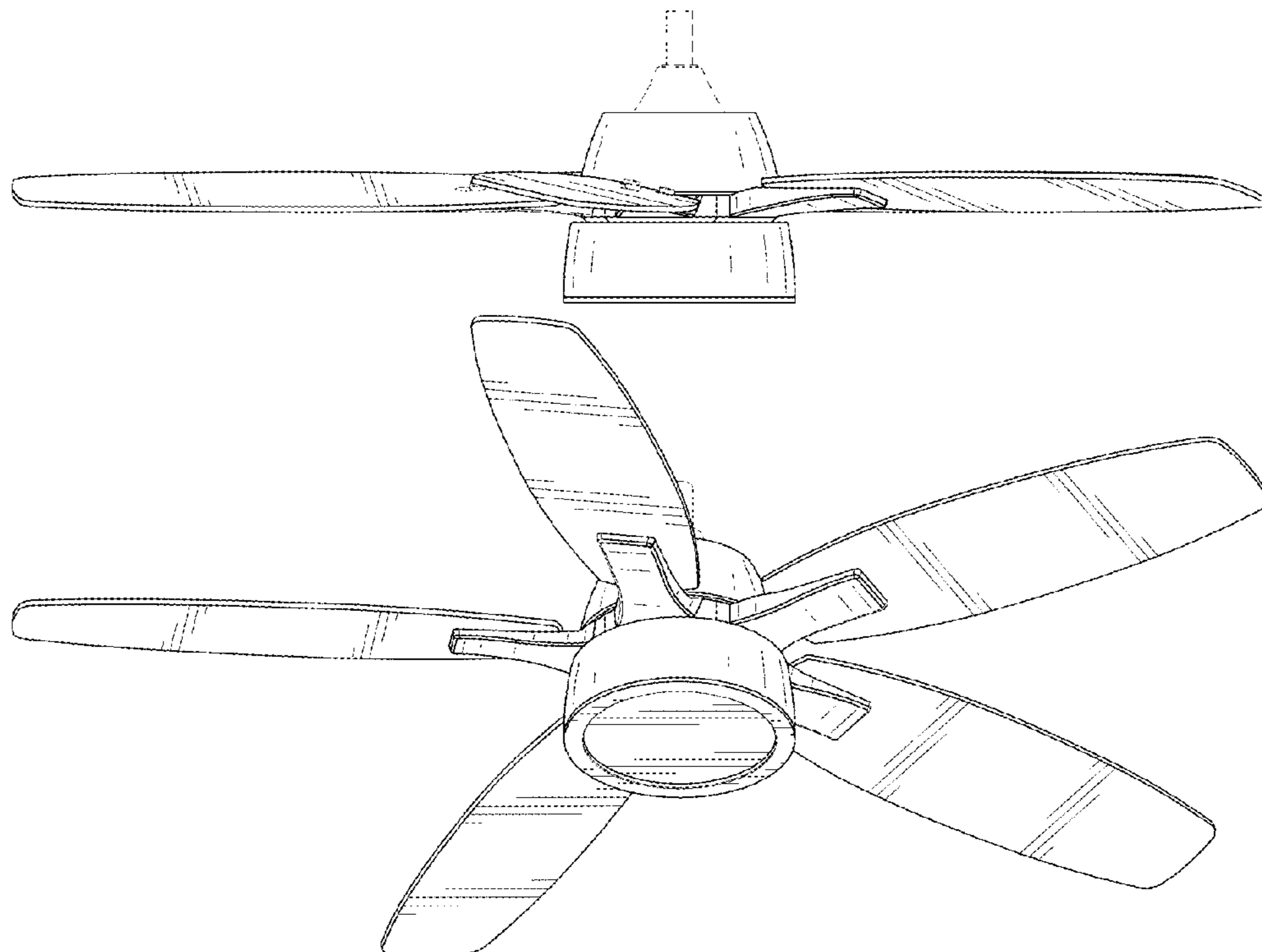
FIG. 1 is a front top perspective view of a ceiling fan showing my new design;  
 FIG. 2 is a front elevational view thereof;  
 FIG. 3 is a rear elevational view thereof;  
 FIG. 4 is a left side elevational view thereof;  
 FIG. 5 is a right side elevational view thereof;  
 FIG. 6 is a top plan view thereof;  
 FIG. 7 is a bottom plan view thereof; and,  
 FIG. 8 is a front bottom perspective view thereof.  
 The broken lines illustrate portions of the ceiling fan and form no part of the claimed design.

**1 Claim, 6 Drawing Sheets**

(56) **References Cited**

**U.S. PATENT DOCUMENTS**

D632,381 S *	2/2011	Davenport .....	D23/377
D739,001 S *	9/2015	Crisa' .....	D23/372
D743,528 S *	11/2015	Wang .....	D23/411
D760,368 S *	6/2016	Chen .....	D23/377
D796,024 S *	8/2017	Holmes .....	D23/377
D799,661 S *	10/2017	Holmes .....	D23/377
D799,666 S *	10/2017	Wang .....	D23/377



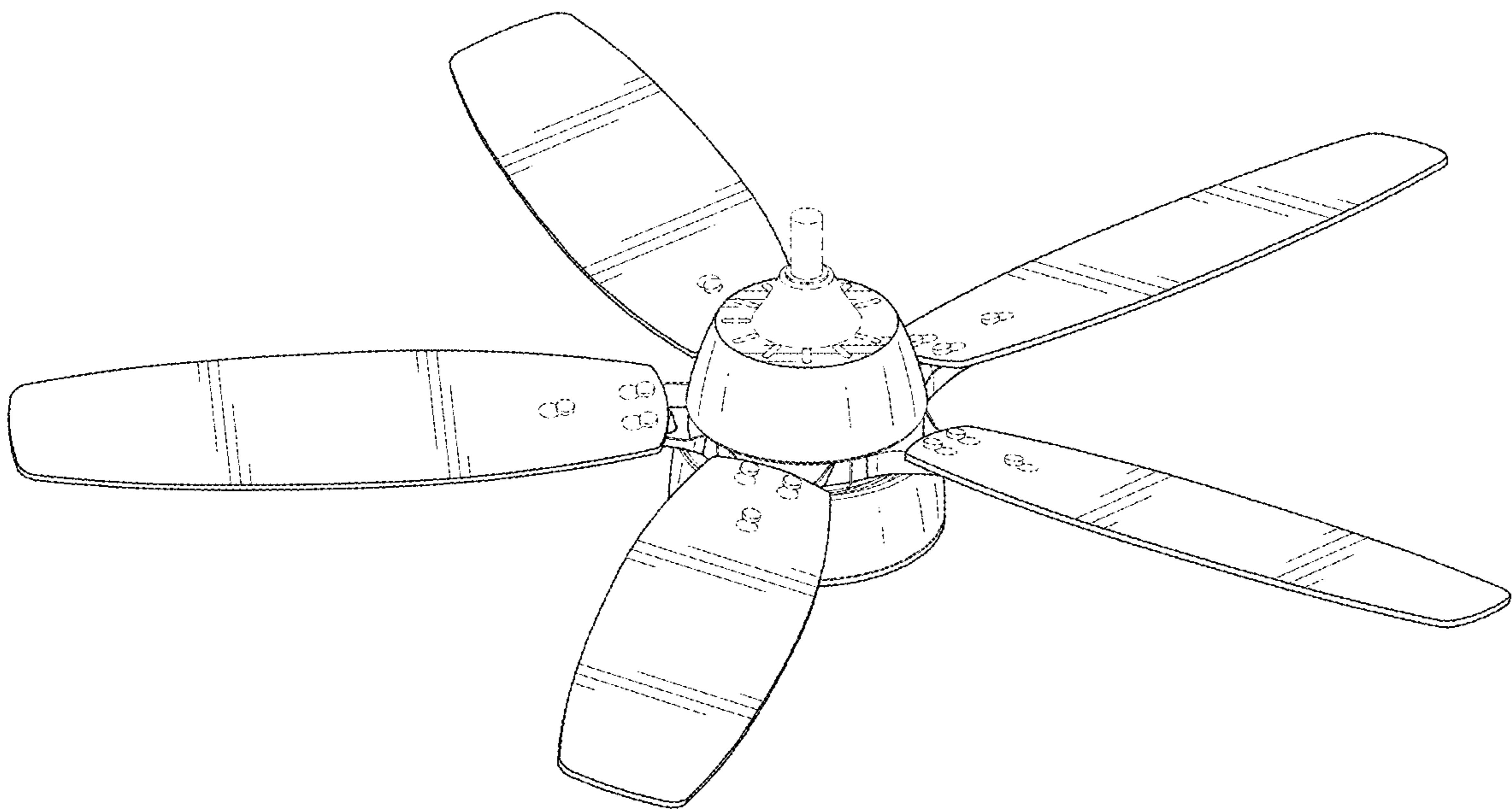


FIG. 1

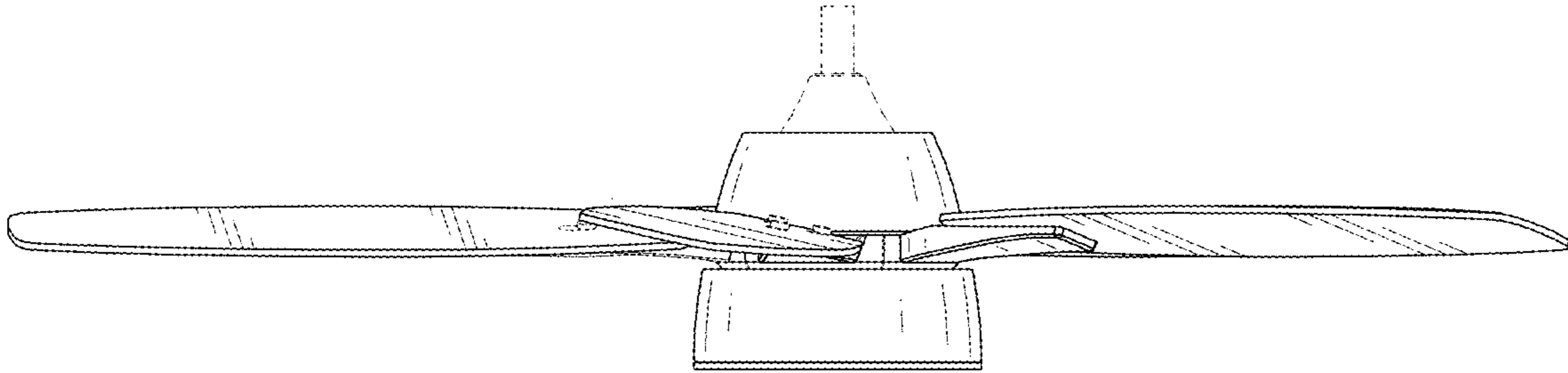


FIG. 2

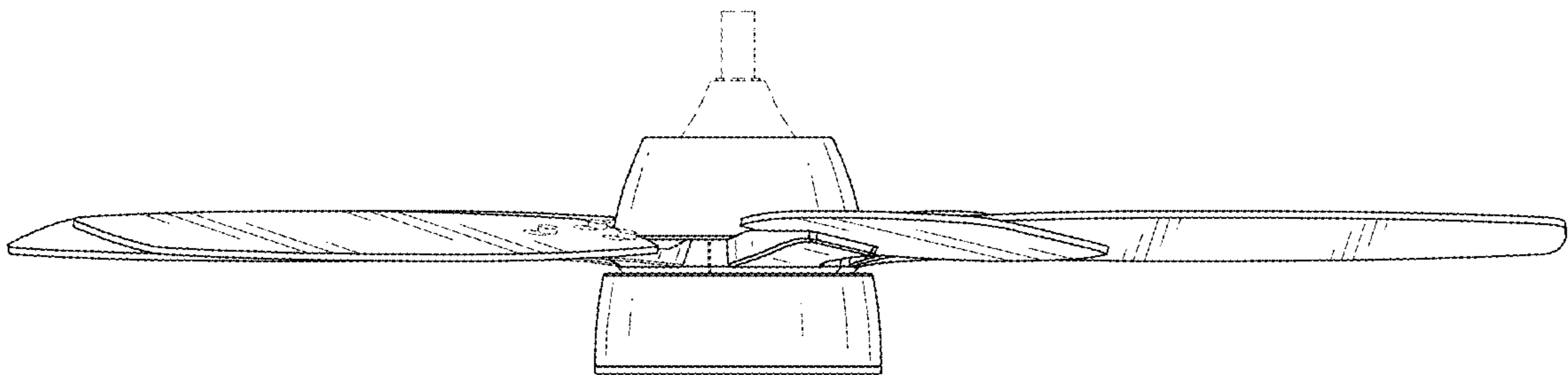


FIG. 3

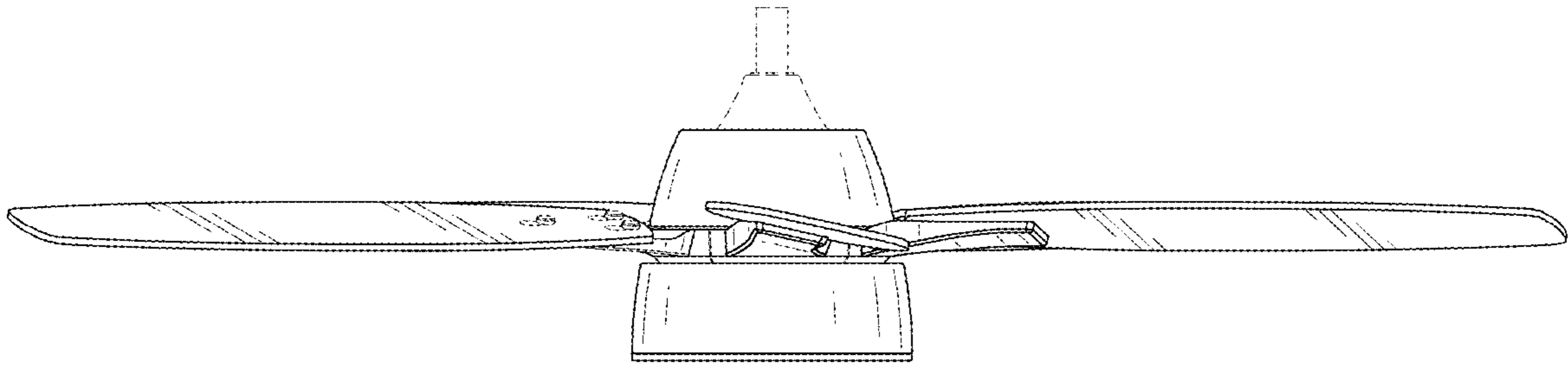


FIG. 4

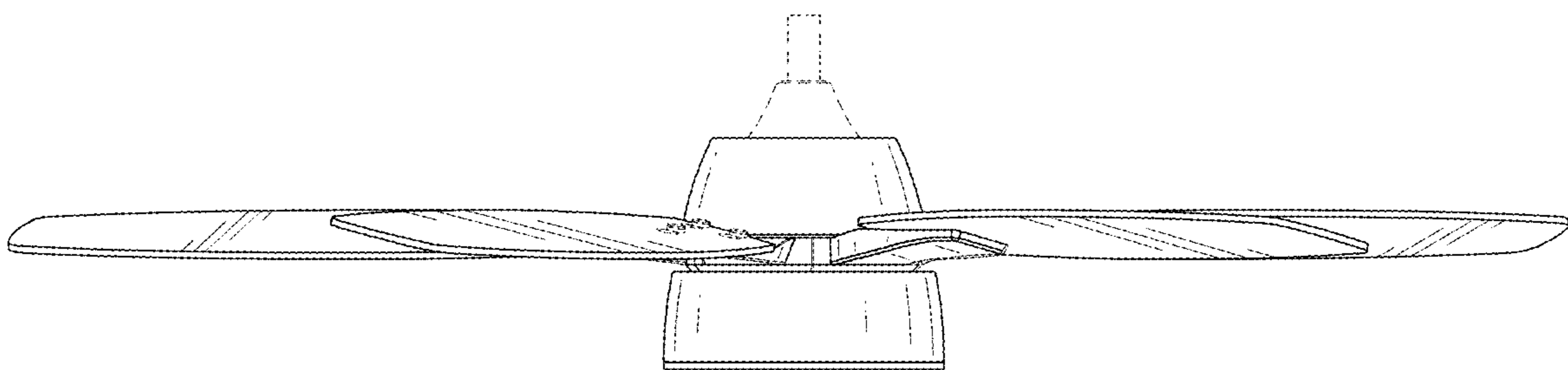


FIG. 5

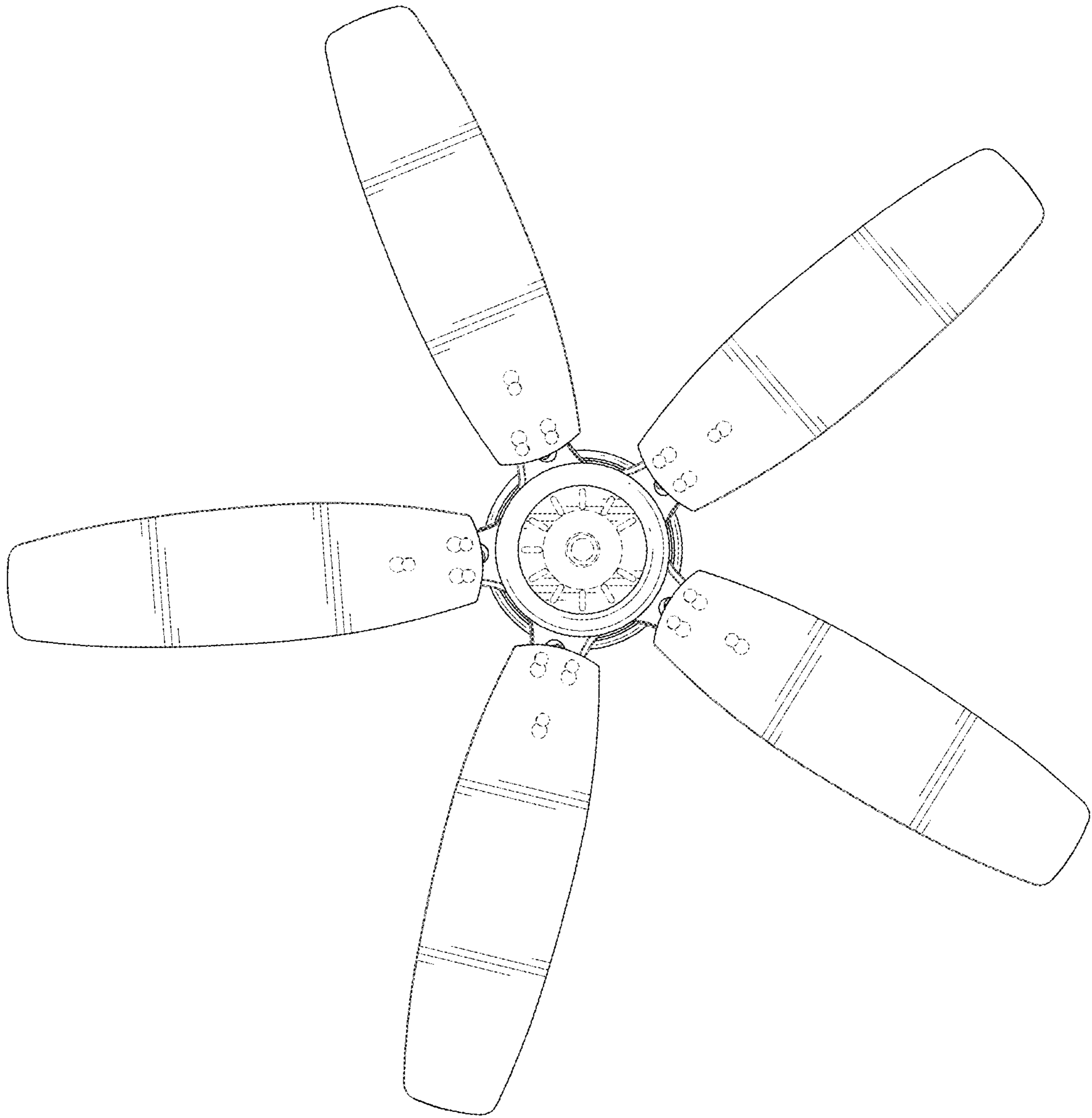


FIG. 6

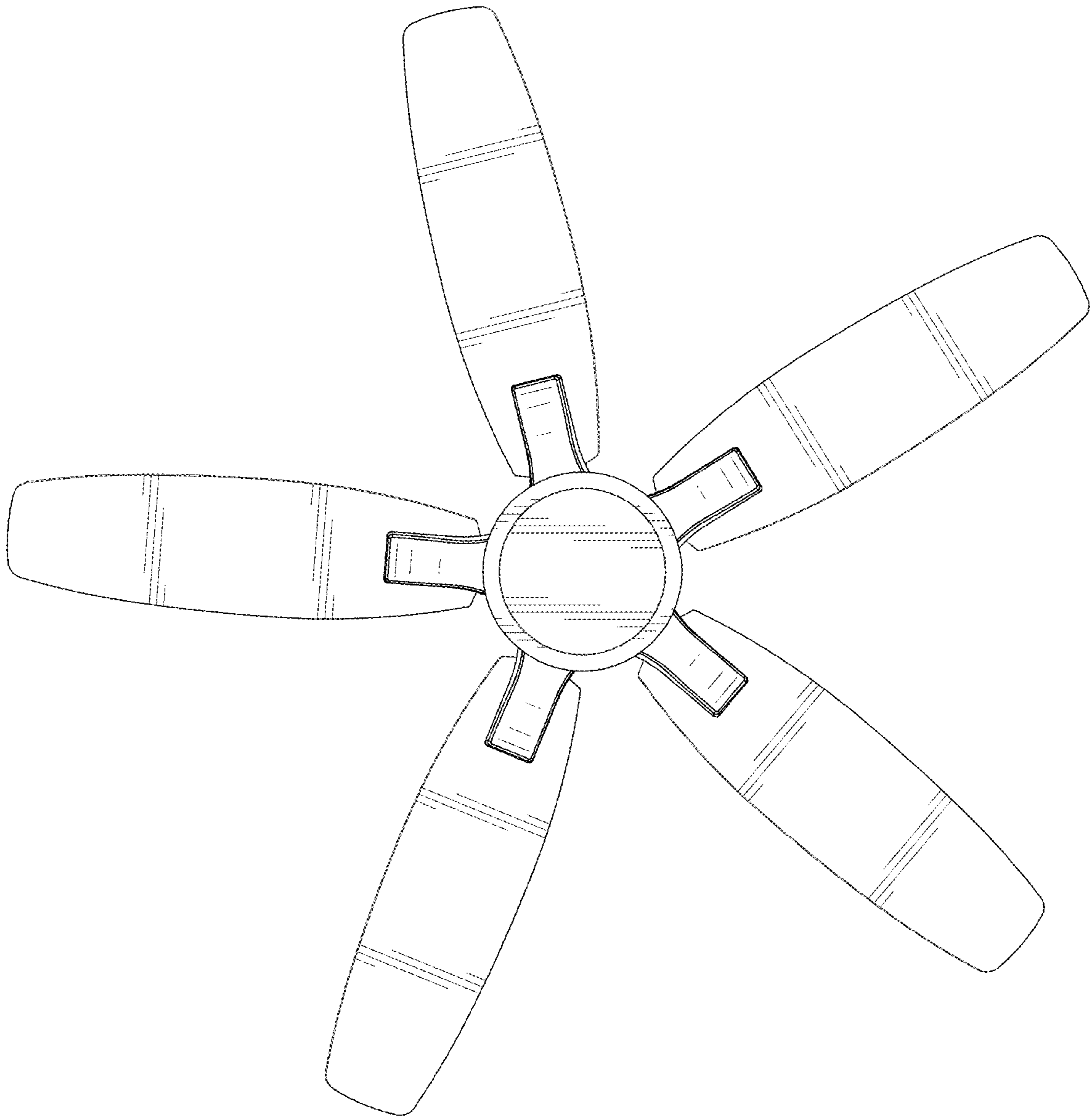


FIG. 7



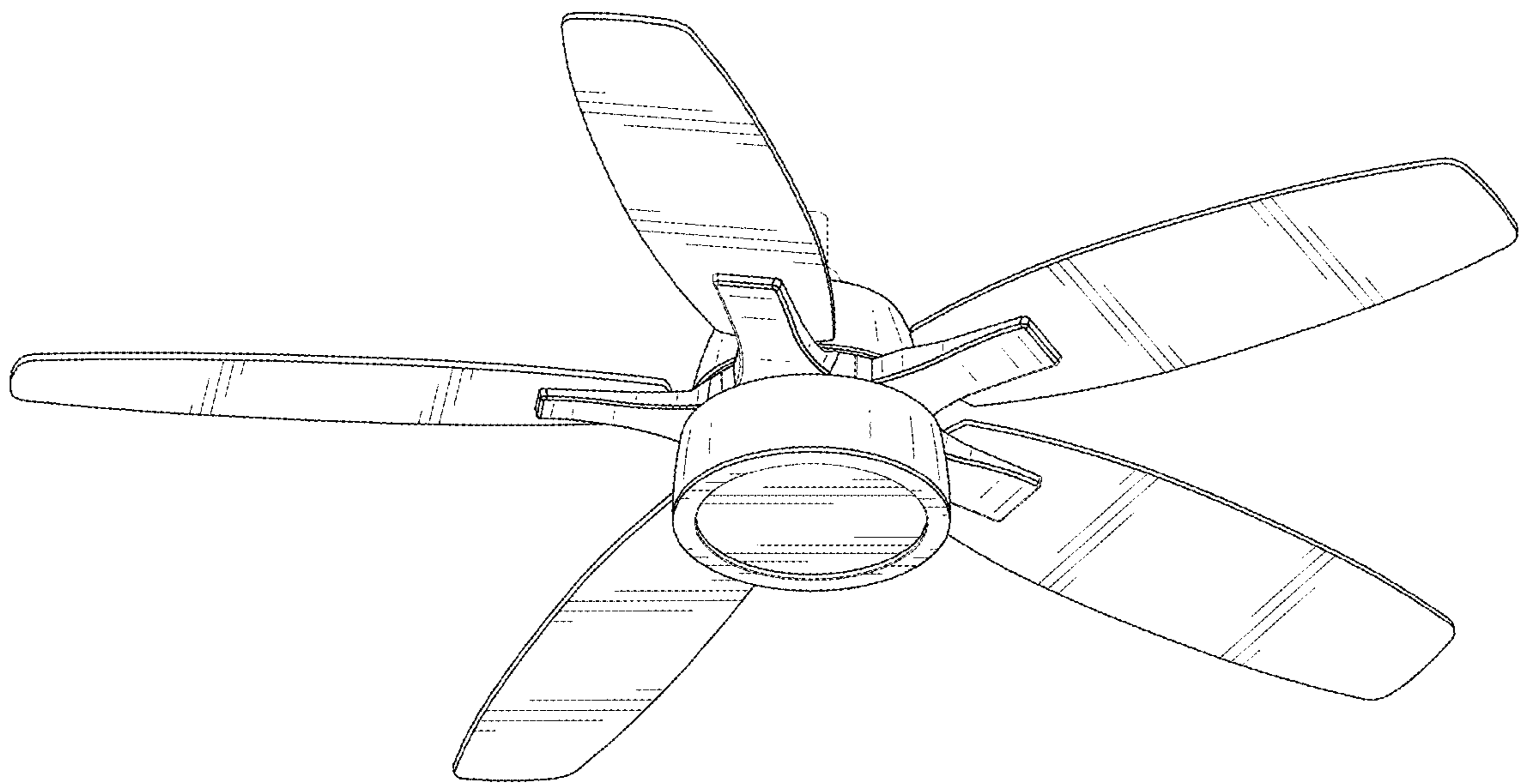


FIG. 8