



US00D877309S

(12) **United States Design Patent**
Pickett

(10) **Patent No.:** **US D877,309 S**

(45) **Date of Patent:** **** Mar. 3, 2020**

(54) **CEILING FAN**

(71) Applicant: **YOUNGO LIMITED**, Central (HK)

(72) Inventor: **Mark Pickett**, Altadena, CA (US)

(73) Assignee: **YOUNGO LIMITED**, Central (HK)

(**) Term: **15 Years**

(21) Appl. No.: **29/660,698**

(22) Filed: **Aug. 22, 2018**

(51) **LOC (12) Cl.** **23-04**

(52) **U.S. Cl.**
USPC **D23/377**

(58) **Field of Classification Search**
USPC D23/370-385, 411-414; D26/59;
D12/214, 339, 344
CPC F04D 25/088; F04D 29/38; F04D 29/384;
F04D 29/386; F21V 33/0096
See application file for complete search history.

(56) **References Cited**

U.S. PATENT DOCUMENTS

D596,734 S * 7/2009 Kihara D23/377
D628,687 S * 12/2010 Yao D23/377
D707,336 S * 6/2014 Pan D23/377

D759,799 S * 6/2016 Wang D23/385
D832,990 S * 11/2018 Schulzman D23/377
D834,696 S * 11/2018 Schulzman D23/377
D849,224 S * 5/2019 Gardner D23/377
D861,154 S * 9/2019 Biancuzzo D23/411
2009/0129974 A1* 5/2009 McEllen A61L 9/205
422/24

* cited by examiner

Primary Examiner — Cathron C Brooks

Assistant Examiner — Sharon S Oum

(74) *Attorney, Agent, or Firm* — Muncy, Geissler, Olds & Lowe, P.C.

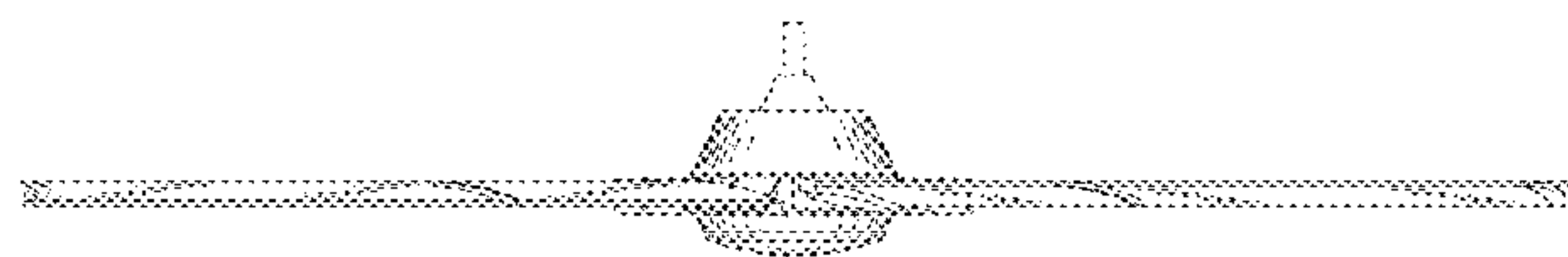
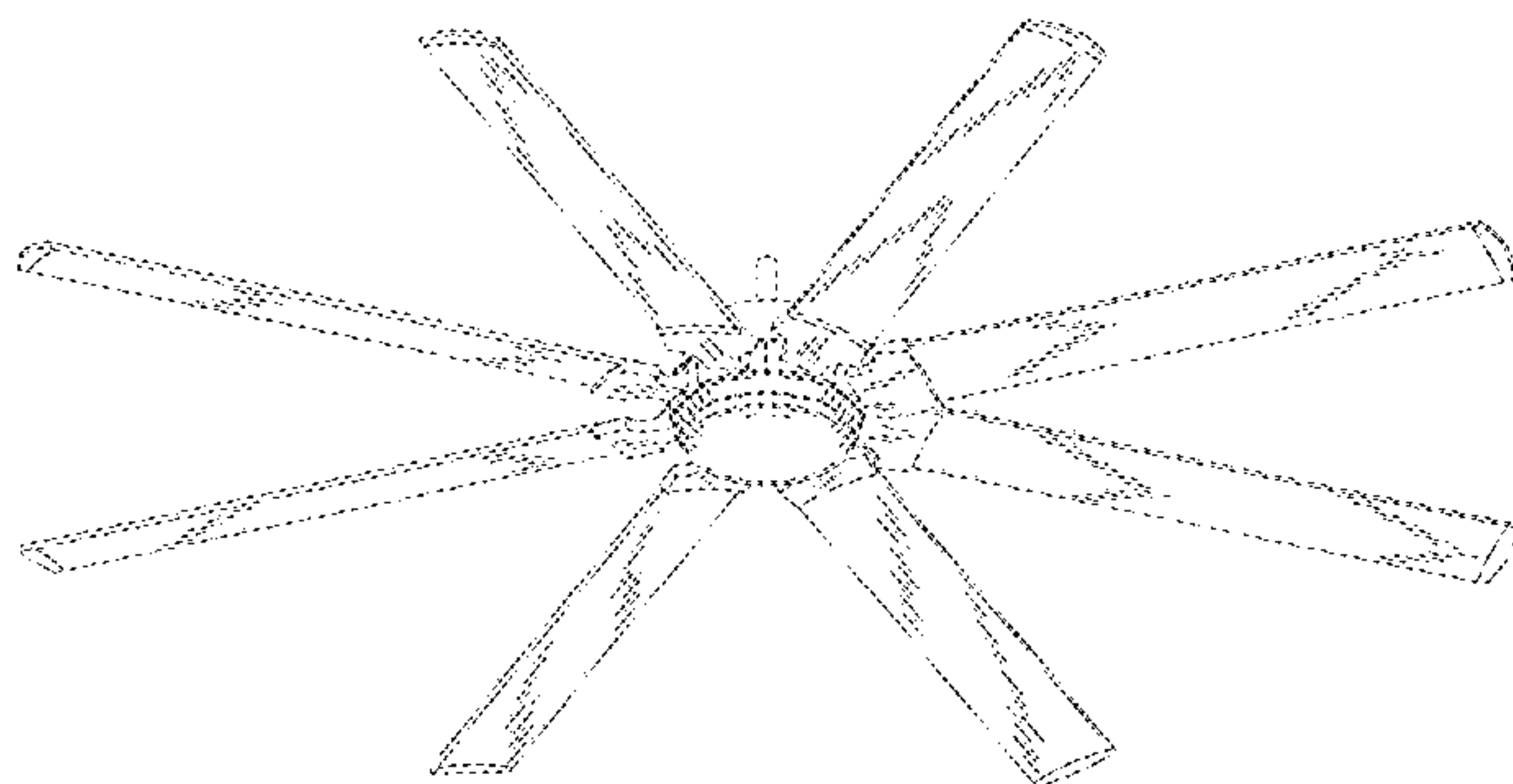
(57) **CLAIM**

The ornamental design for a ceiling fan, as shown and described.

DESCRIPTION

FIG. 1 is a perspective view of a ceiling fan, showing the new design;
FIG. 2 is a front elevational view thereof;
FIG. 3 is a rear elevational view thereof;
FIG. 4 is a left side elevational view thereof;
FIG. 5 is a right side elevational view thereof;
FIG. 6 is a top plan view thereof; and,
FIG. 7 is a bottom plan view thereof.
The broken lines shown in FIGS. 1-6 depict portions of the ceiling fan that form no part of the claimed design.

1 Claim, 7 Drawing Sheets



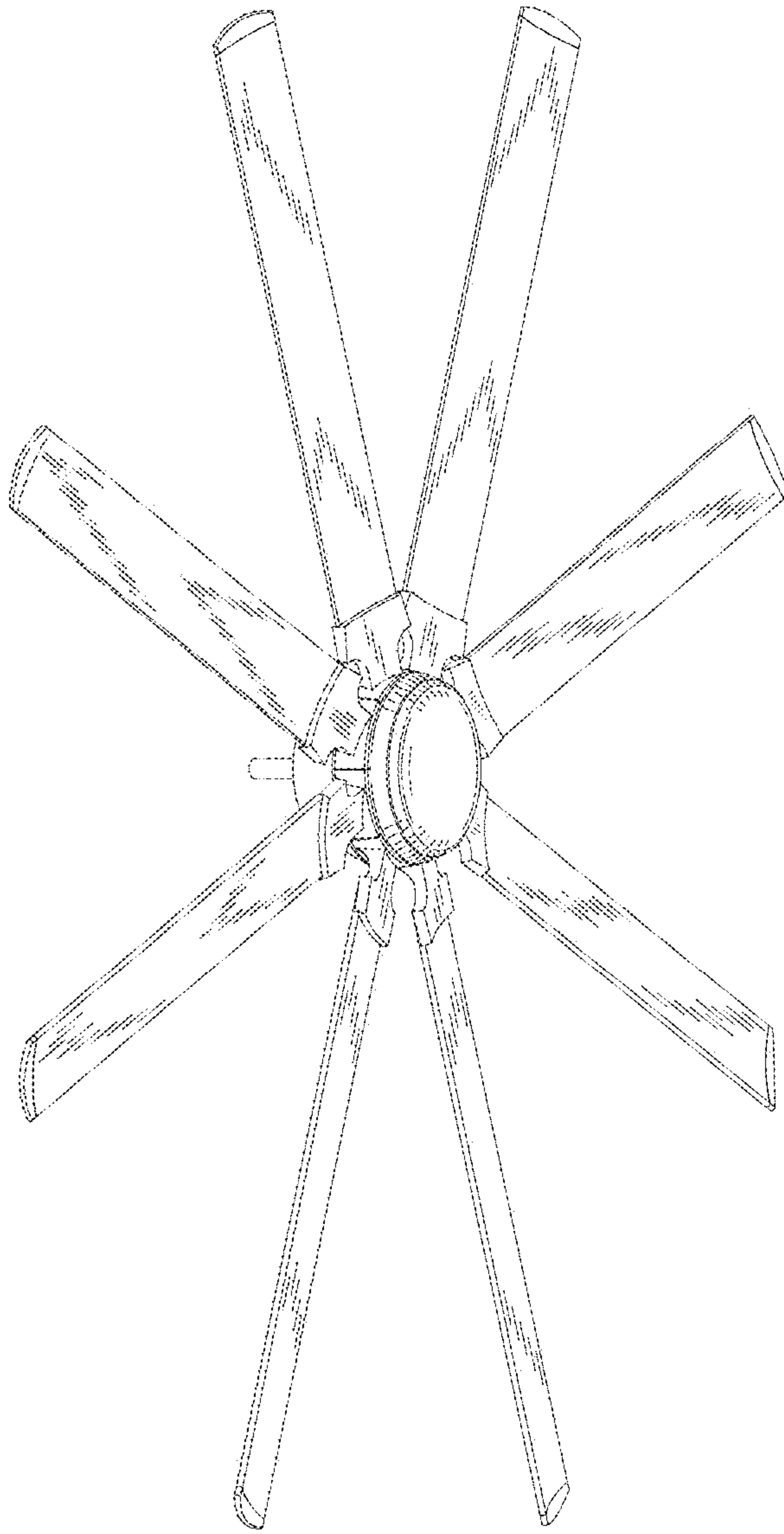


FIG. 1

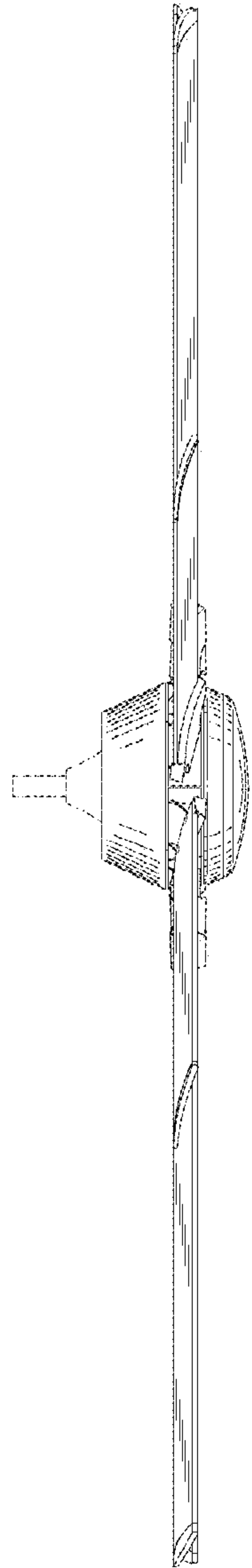


FIG. 2

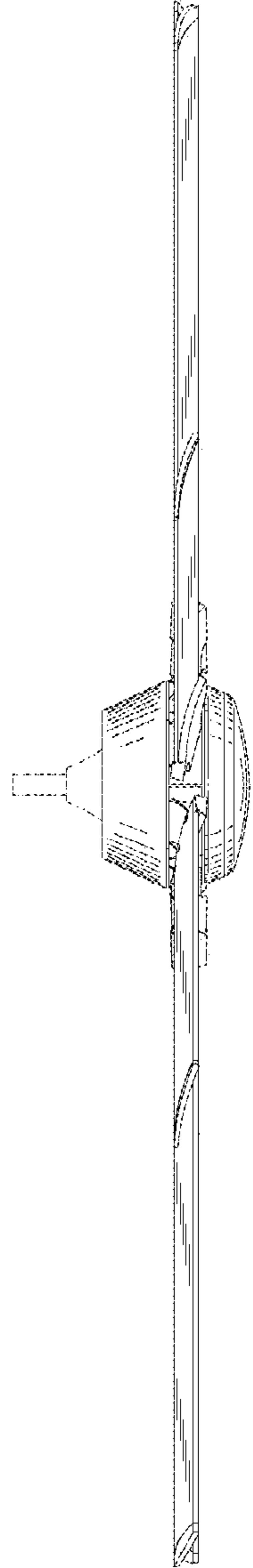


FIG. 3

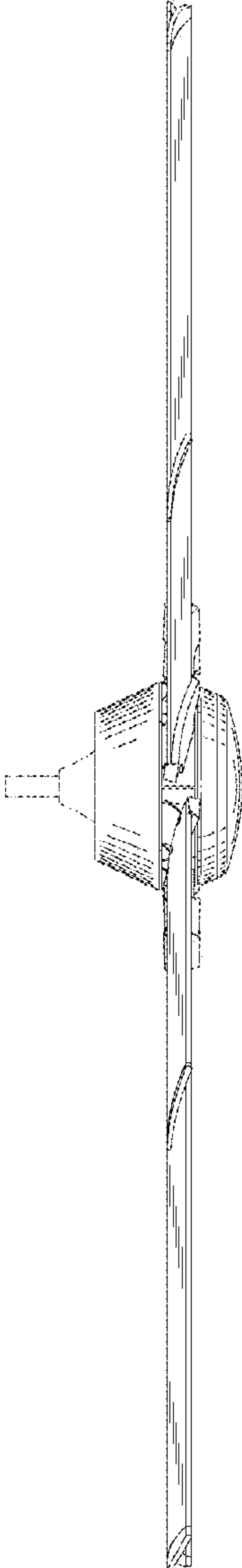


FIG. 4

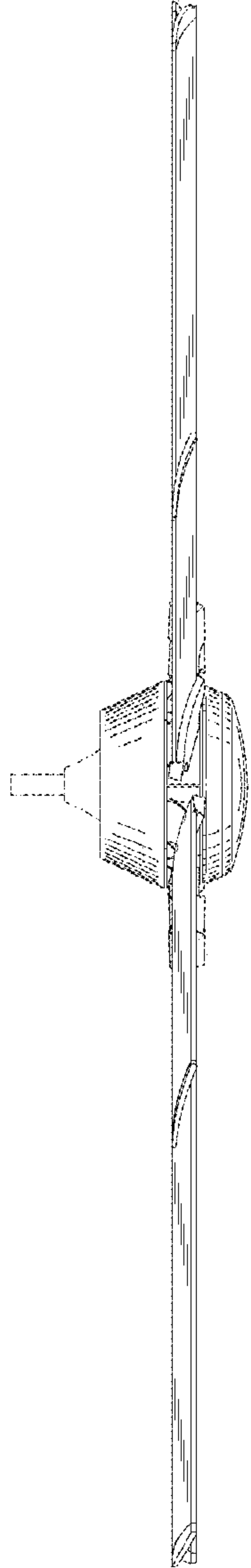


FIG. 5

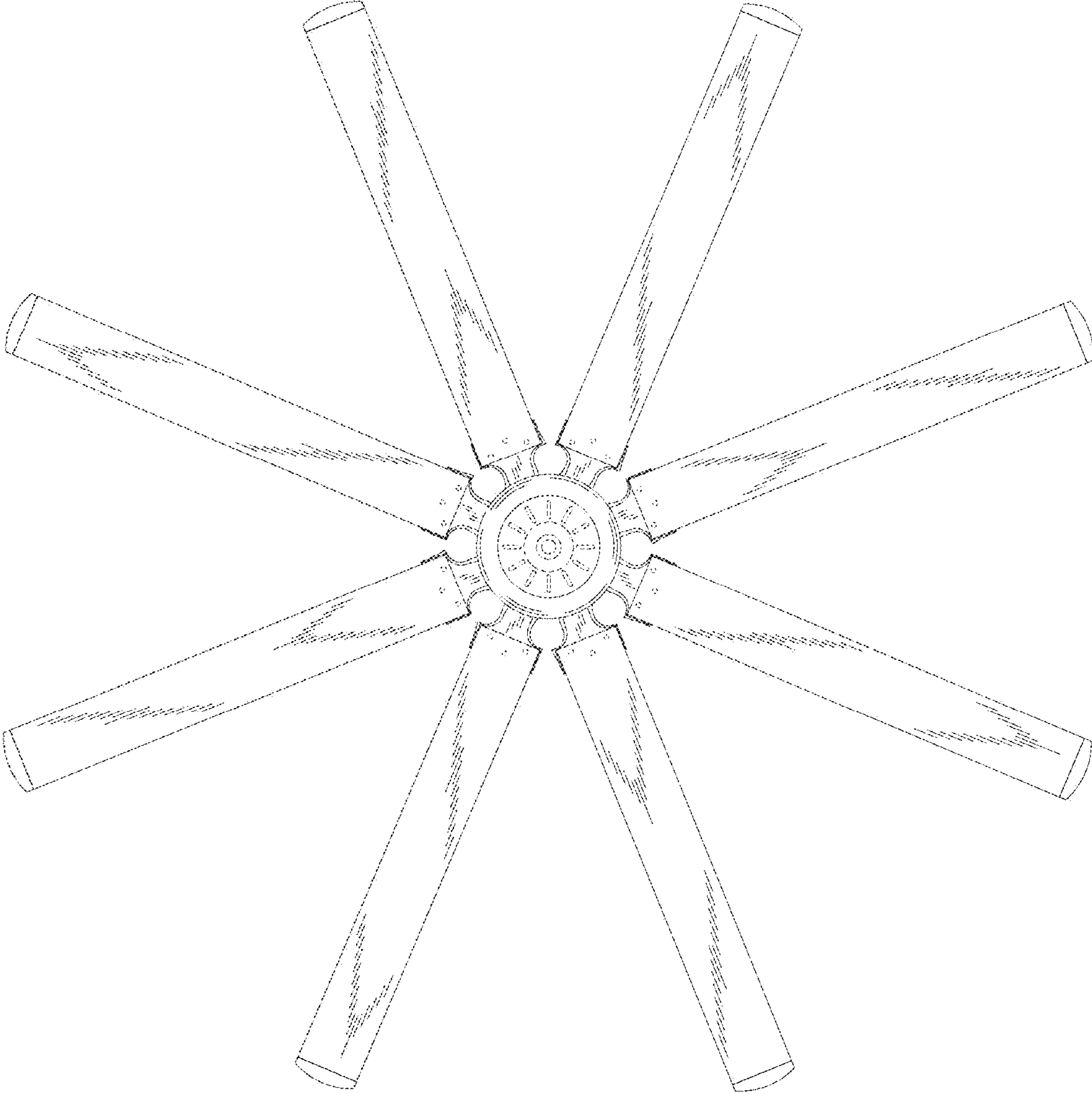


FIG. 6

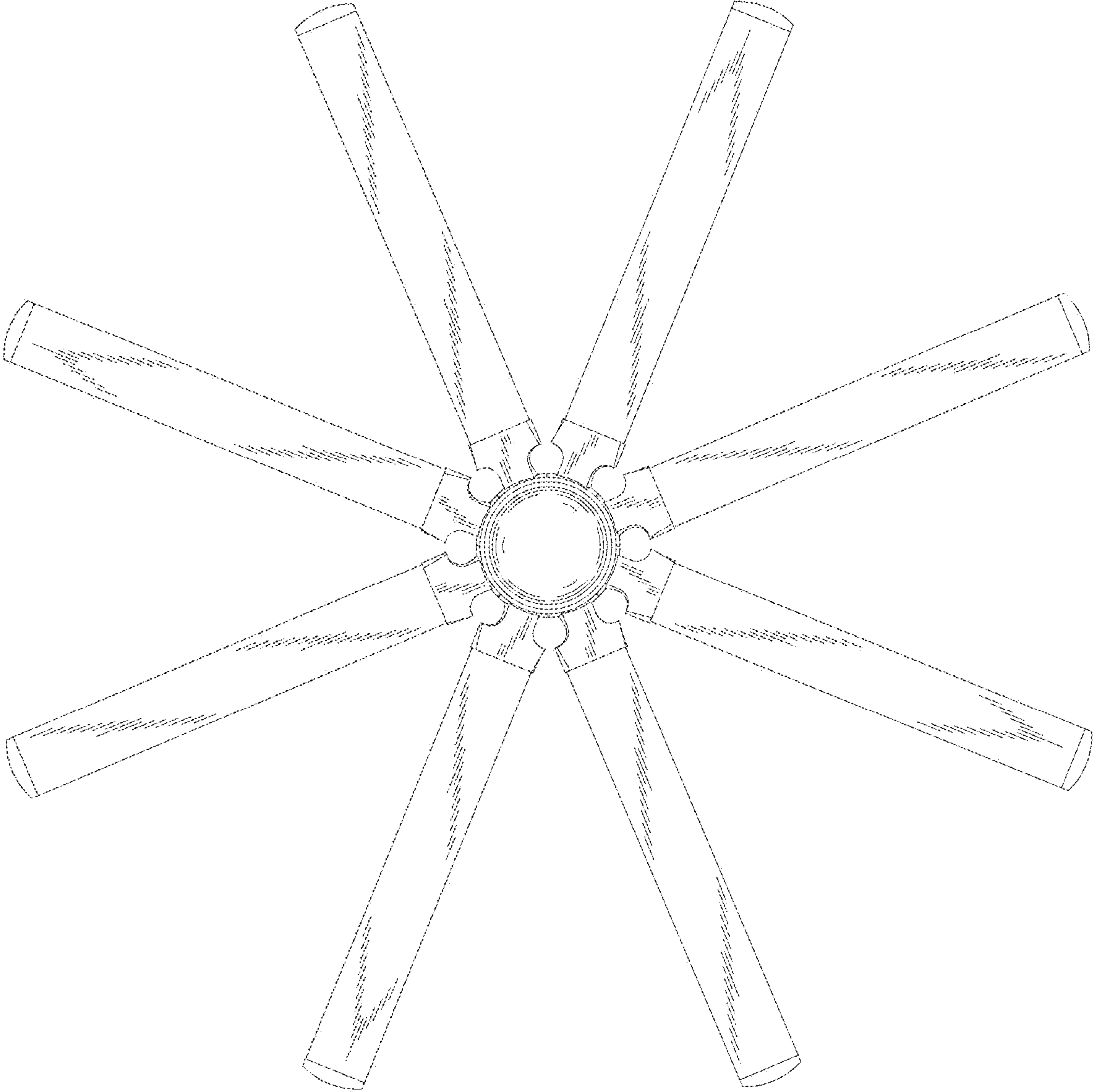


FIG. 7