



US00D877308S

(12) **United States Design Patent** (10) **Patent No.:** **US D877,308 S**  
**Pickett** (45) **Date of Patent:** **\*\* Mar. 3, 2020**

(54) **CEILING FAN**

(71) Applicant: **YOUNGO LIMITED**, Central (HK)

(72) Inventor: **Mark Pickett**, Altadena, CA (US)

(73) Assignee: **YOUNGO LIMITED**, Central (HK)

(\*\*) Term: **15 Years**

(21) Appl. No.: **29/660,690**

(22) Filed: **Aug. 22, 2018**

(51) **LOC (12) Cl.** ..... **23-04**

(52) **U.S. Cl.**  
USPC ..... **D23/377**

(58) **Field of Classification Search**  
USPC ..... D23/370-385, 411-414; D26/59;  
D12/214, 339, 344  
CPC ..... F04D 25/088; F04D 29/38; F04D 29/384;  
F04D 29/386; F21V 33/0096  
See application file for complete search history.

(56) **References Cited**

**U.S. PATENT DOCUMENTS**

D437,928 S *	2/2001	Dolan	.....	D23/411
D628,687 S *	12/2010	Yao	.....	D23/377
D707,336 S *	6/2014	Pan	.....	D23/377
D759,799 S *	6/2016	Wang	.....	D23/385
D800,290 S *	10/2017	Searle	.....	D23/377
D816,204 S *	4/2018	McRoberts	.....	D23/377
D833,596 S *	11/2018	Schulzman	.....	D23/377

**OTHER PUBLICATIONS**

Savoy House 72-5045-813-13 Bluffton 72" 8 Blade Ceiling Fan, English bronze Finish, date first available Feb. 7, 2017, site visited Dec. 6, 2019, Copyright © 1996-2019, <<https://www.amazon.com/Savoy-House-72-5045-813-13-Bluffton-Ceiling/dp/B01N80N401?th=1>>.\*

\* cited by examiner

*Primary Examiner* — Cathron C Brooks

*Assistant Examiner* — Sharon S Oum

(74) *Attorney, Agent, or Firm* — Muncy, Geissler, Olds & Lowe, P.C.

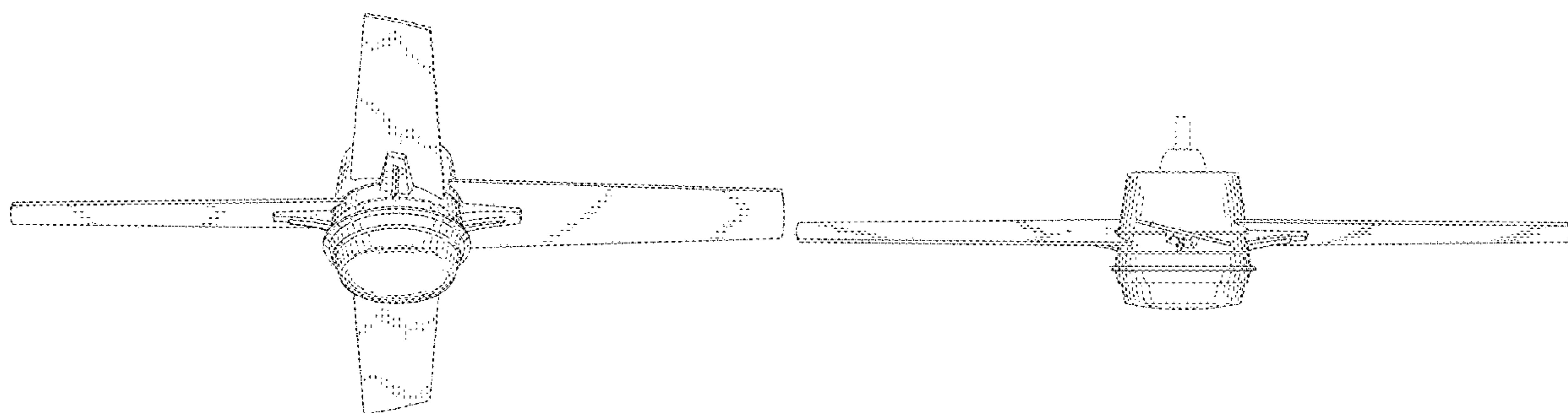
(57) **CLAIM**

The ornamental design for a ceiling fan, as shown and described.

**DESCRIPTION**

FIG. 1 is a perspective view of a ceiling fan, showing the new design;  
FIG. 2 is a front elevational view thereof;  
FIG. 3 is a rear elevational view thereof;  
FIG. 4 is a left side elevational view thereof;  
FIG. 5 is a right side elevational view thereof;  
FIG. 6 is a top plan view thereof; and,  
FIG. 7 is a bottom plan view thereof.  
The broken lines shown in FIGS. 2-6 depict portions of the ceiling fan that form no part of the claimed design.

**1 Claim, 7 Drawing Sheets**



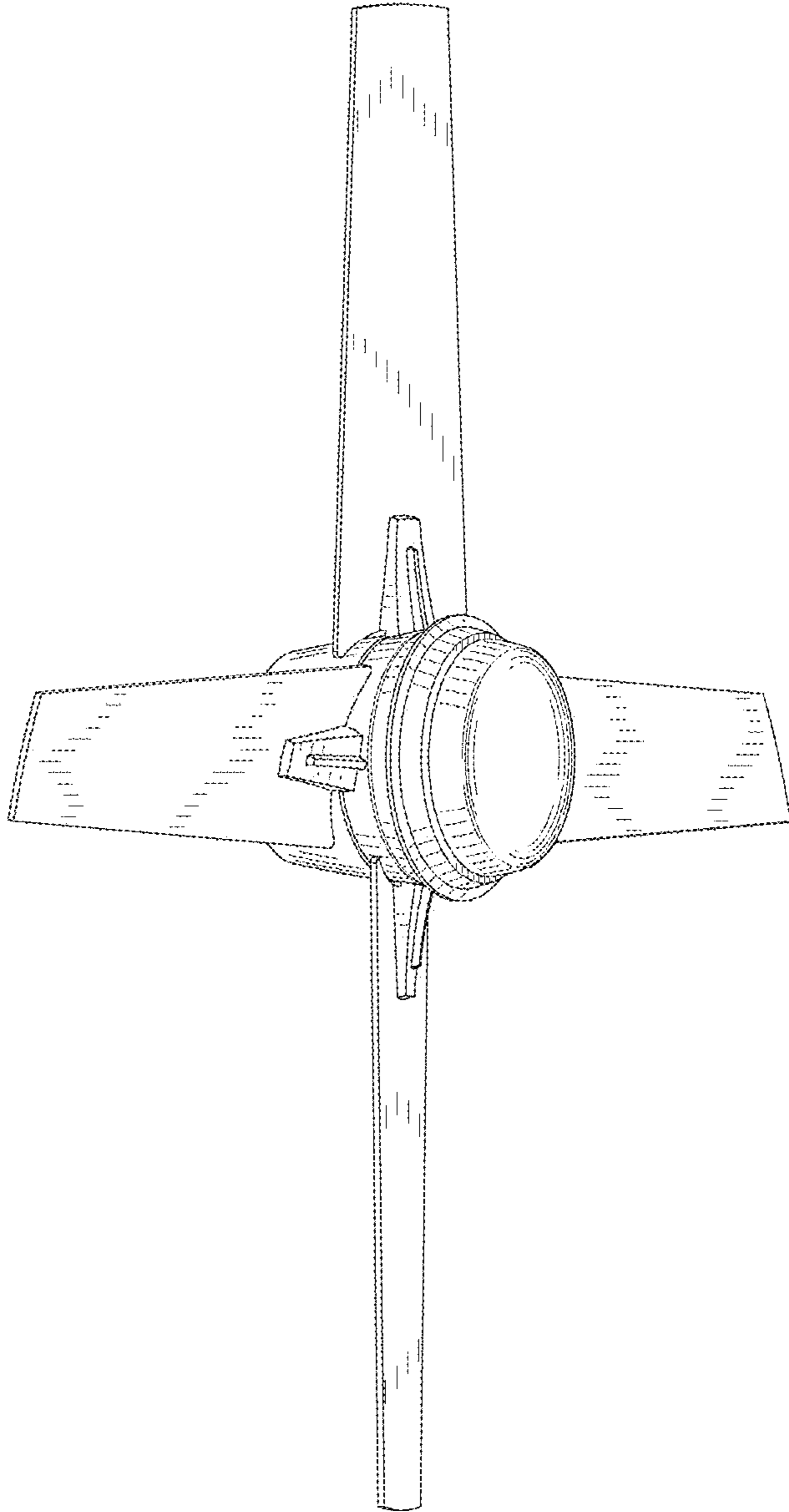


FIG. 1

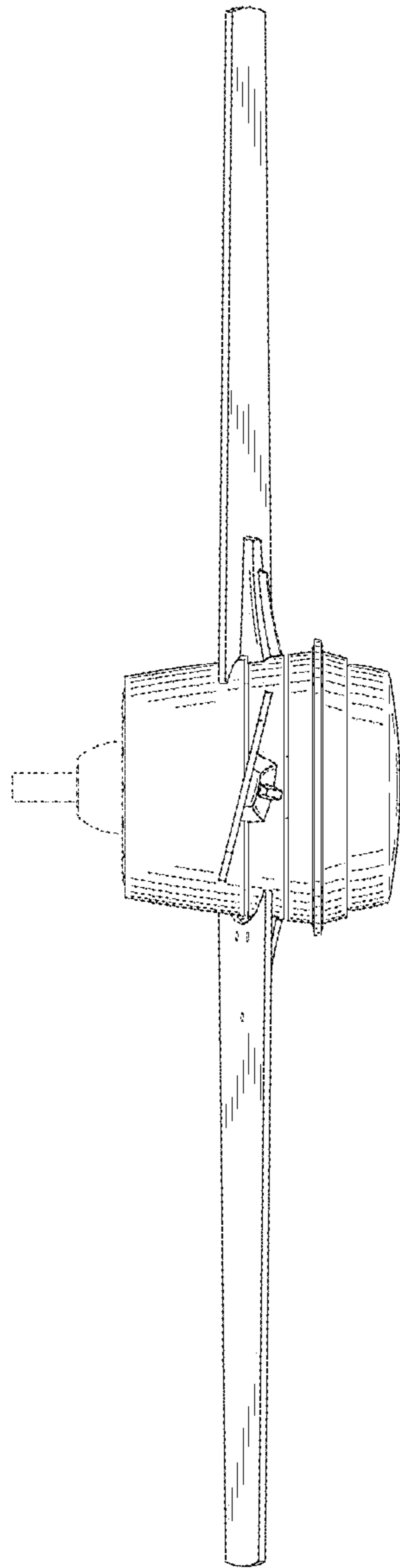


FIG. 2

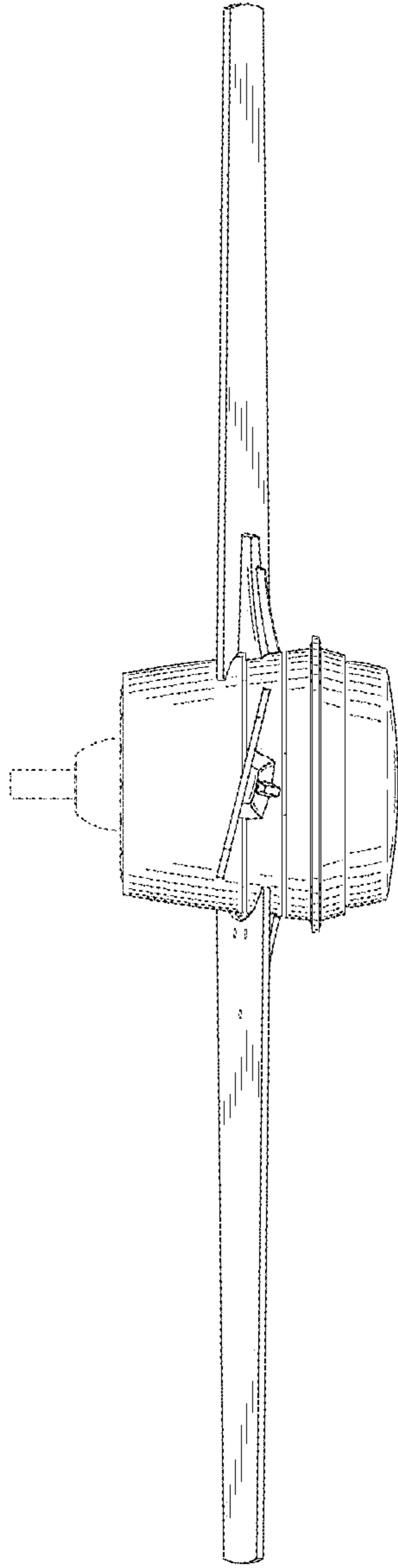


FIG. 3

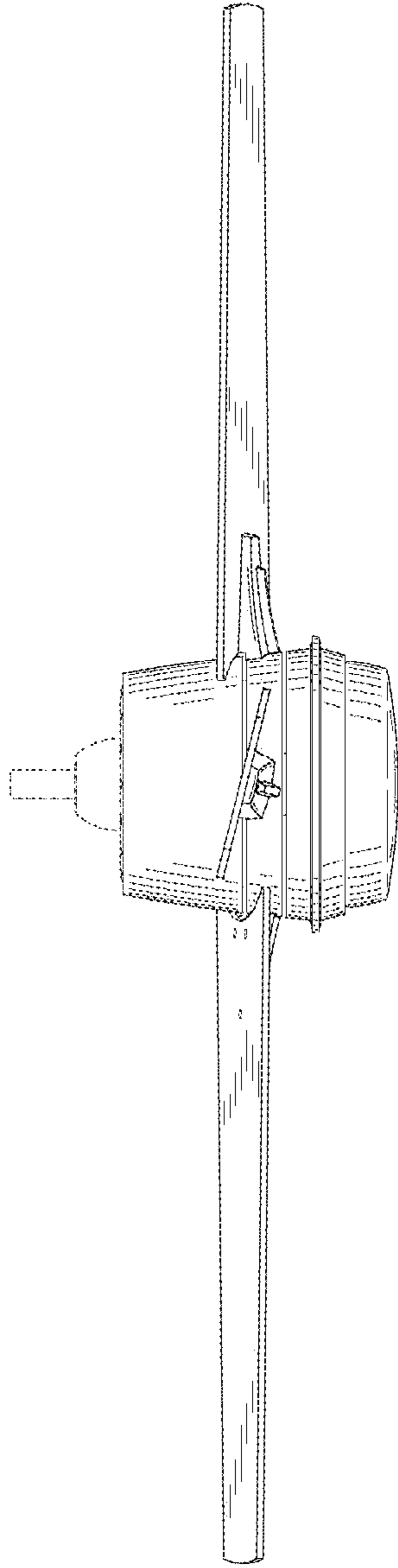


FIG. 4

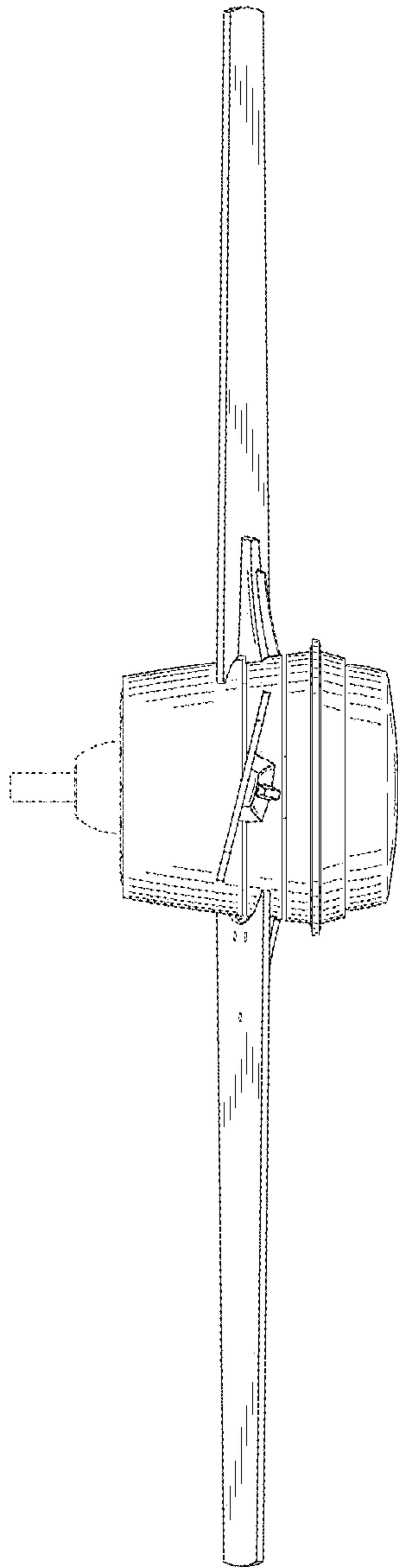


FIG. 5

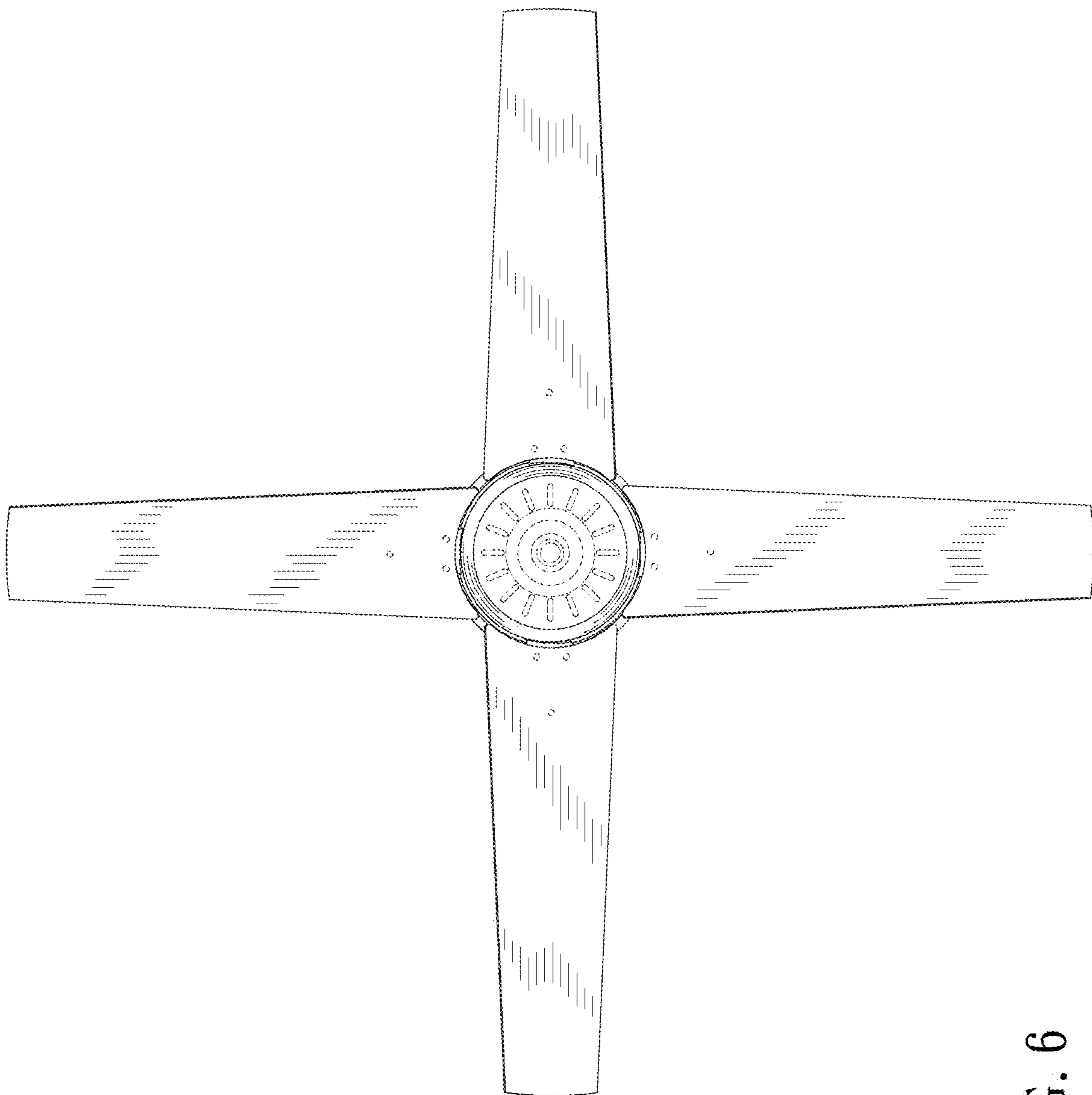


FIG. 6

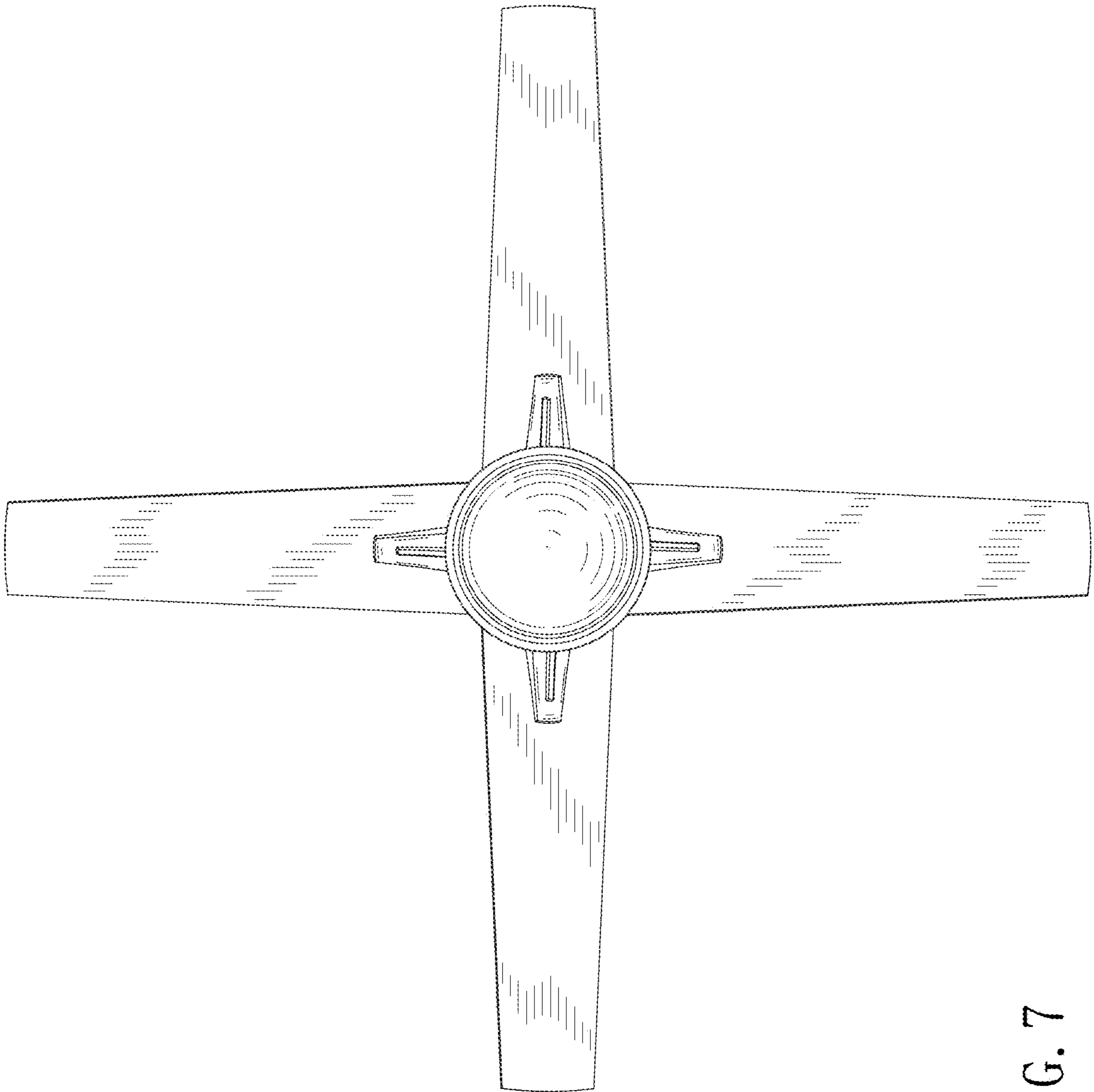


FIG. 7