



US00D877307S

(12) **United States Design Patent**
Boxum et al.

(10) **Patent No.:** **US D877,307 S**
(45) **Date of Patent:** **** Mar. 3, 2020**

(54) **HOUSINGS FOR AIR CONDITIONING APPARATUS**

(71) Applicant: **Zehnder Group International AG**,
Gränichen (CH)

(72) Inventors: **Erik Boxum**, Meppel (NL); **Martijn Haddeman**, Heerde (NL)

(73) Assignee: **Zehnder Group International AG**,
Gränichen (CH)

(**) Term: **15 Years**

(21) Appl. No.: **29/580,649**

(22) Filed: **Oct. 11, 2016**

Related U.S. Application Data

(62) Division of application No. 29/539,110, filed on Sep. 10, 2015, now Pat. No. Des. 800,283.

(30) **Foreign Application Priority Data**

Mar. 10, 2015 (WO) DM085855

(51) **LOC (12) Cl.** **23-04**

(52) **U.S. Cl.**
USPC **D23/370; D23/314**

(58) **Field of Classification Search**
USPC D23/314, 323, 327, 370; 137/599.03
CPC F16K 11/06; F24F 11/04; F24F 13/04
See application file for complete search history.

(56) **References Cited**

U.S. PATENT DOCUMENTS

D152,316 S * 1/1949 Bergstrom D23/327
3,973,590 A * 8/1976 Logsdon F16K 11/16
137/599.03

D340,109 S * 10/1993 Julien D23/370
D366,522 S * 1/1996 Lagace D23/370
D376,842 S * 12/1996 Franklin D23/314
D405,170 S * 2/1999 Haeck D23/314
D476,073 S * 6/2003 Bourgeois D23/370
D702,824 S * 4/2014 Martel D23/323
D800,283 S * 10/2017 Boxum D23/351
D827,797 S * 9/2018 Boxum D23/351

OTHER PUBLICATIONS

<https://www.phstore.co.uk/zehnder-comfoair-q600> (Year: 2019).*

* cited by examiner

Primary Examiner — Manpreet S Matharu

Assistant Examiner — Keith J Wilson

(74) *Attorney, Agent, or Firm* — Advitam IP, LLC

(57) **CLAIM**

The ornamental design for housings for air conditioning apparatus, as shown and described.

DESCRIPTION

FIG. 1 is a perspective view of the housings for air conditioning apparatus;

FIG. 2 is a front elevational view thereof;

FIG. 3 is a rear elevational view thereof;

FIG. 4 is a left side elevational view thereof;

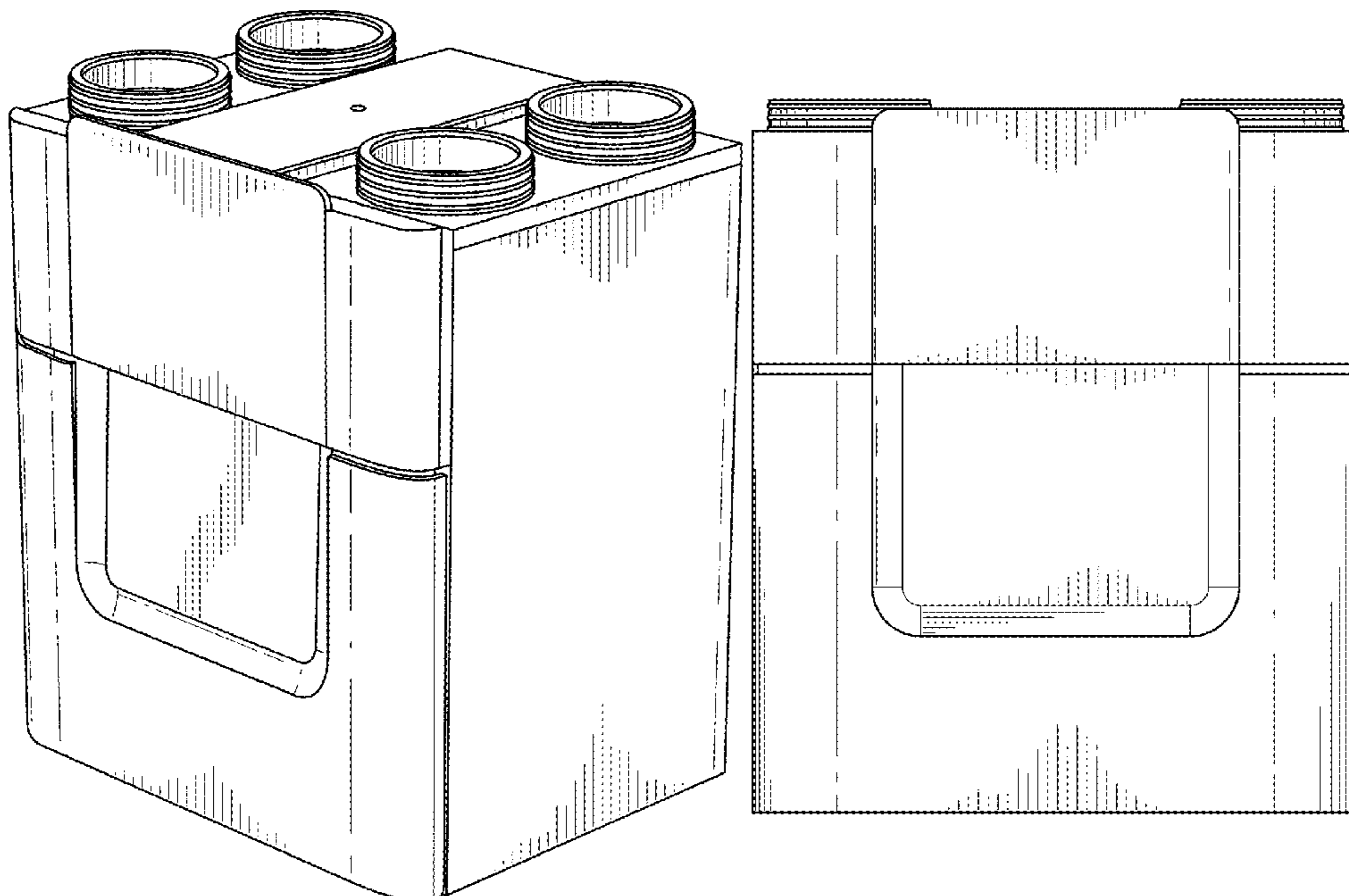
FIG. 5 is a right side elevational view thereof;

FIG. 6 is a top plan view thereof; and,

FIG. 7 is a bottom plan view thereof.

The broken lines showing of items in the figures depict portions of the article that form no part of the claimed design.

1 Claim, 5 Drawing Sheets



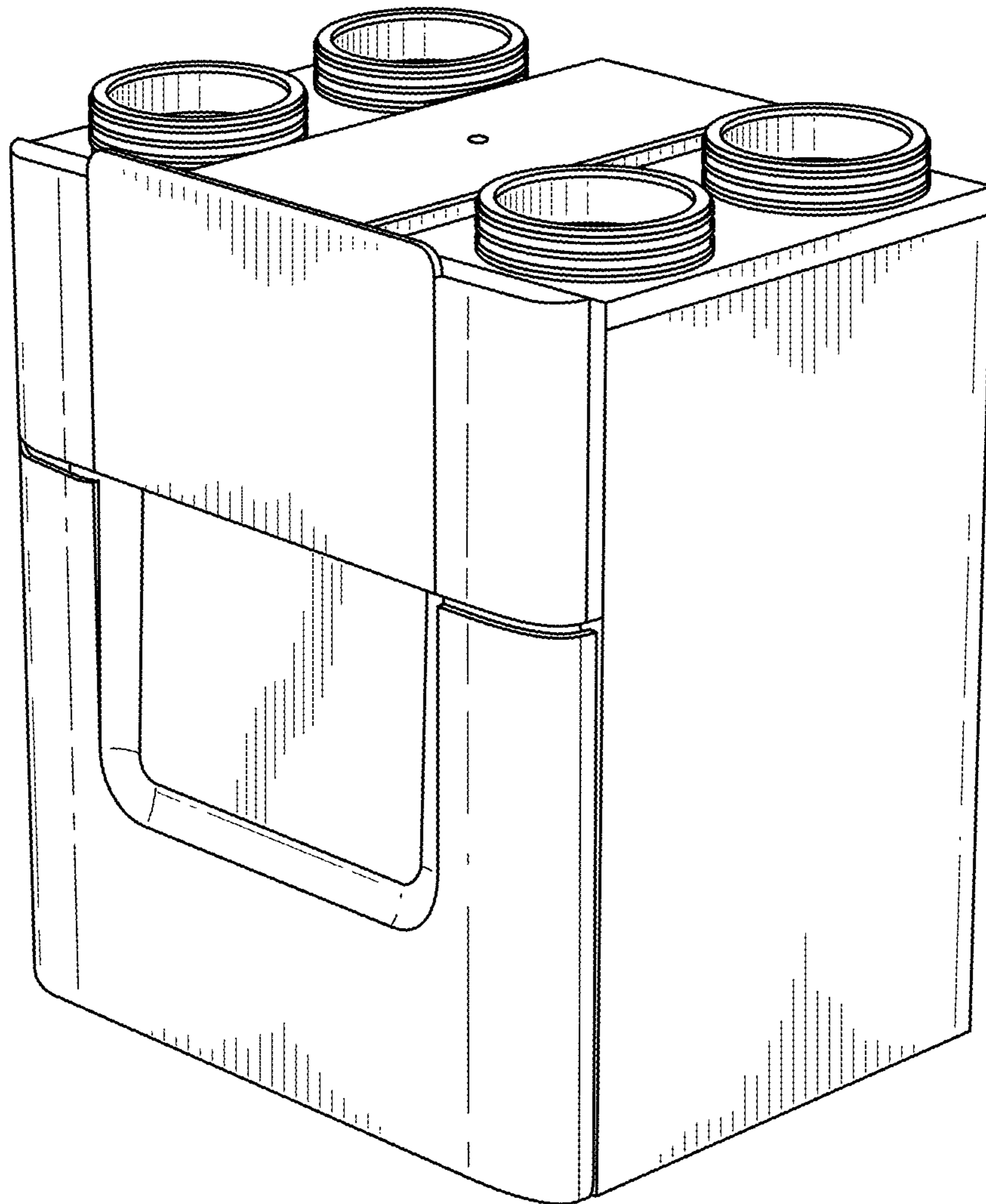


FIG. 1

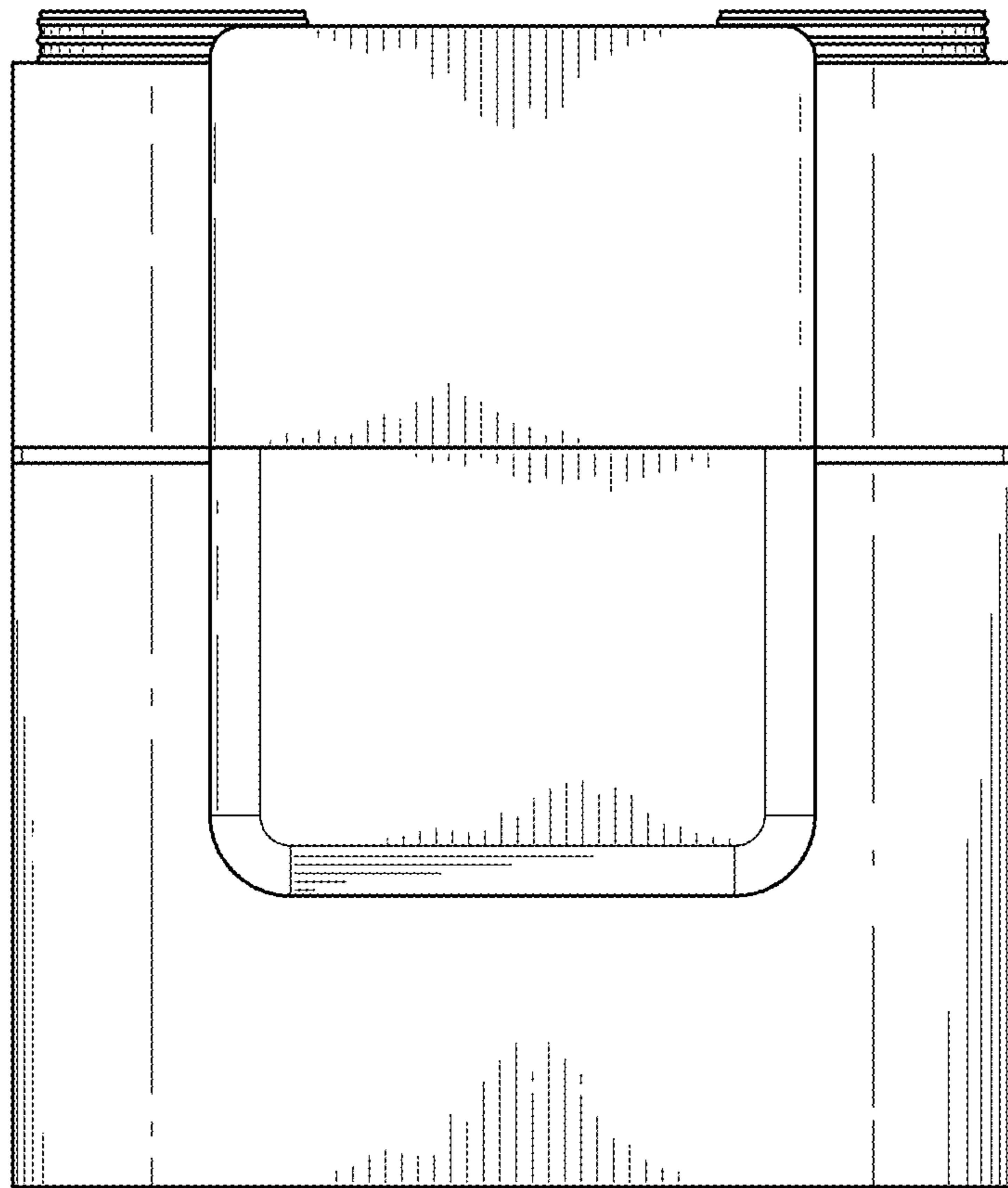


FIG. 2

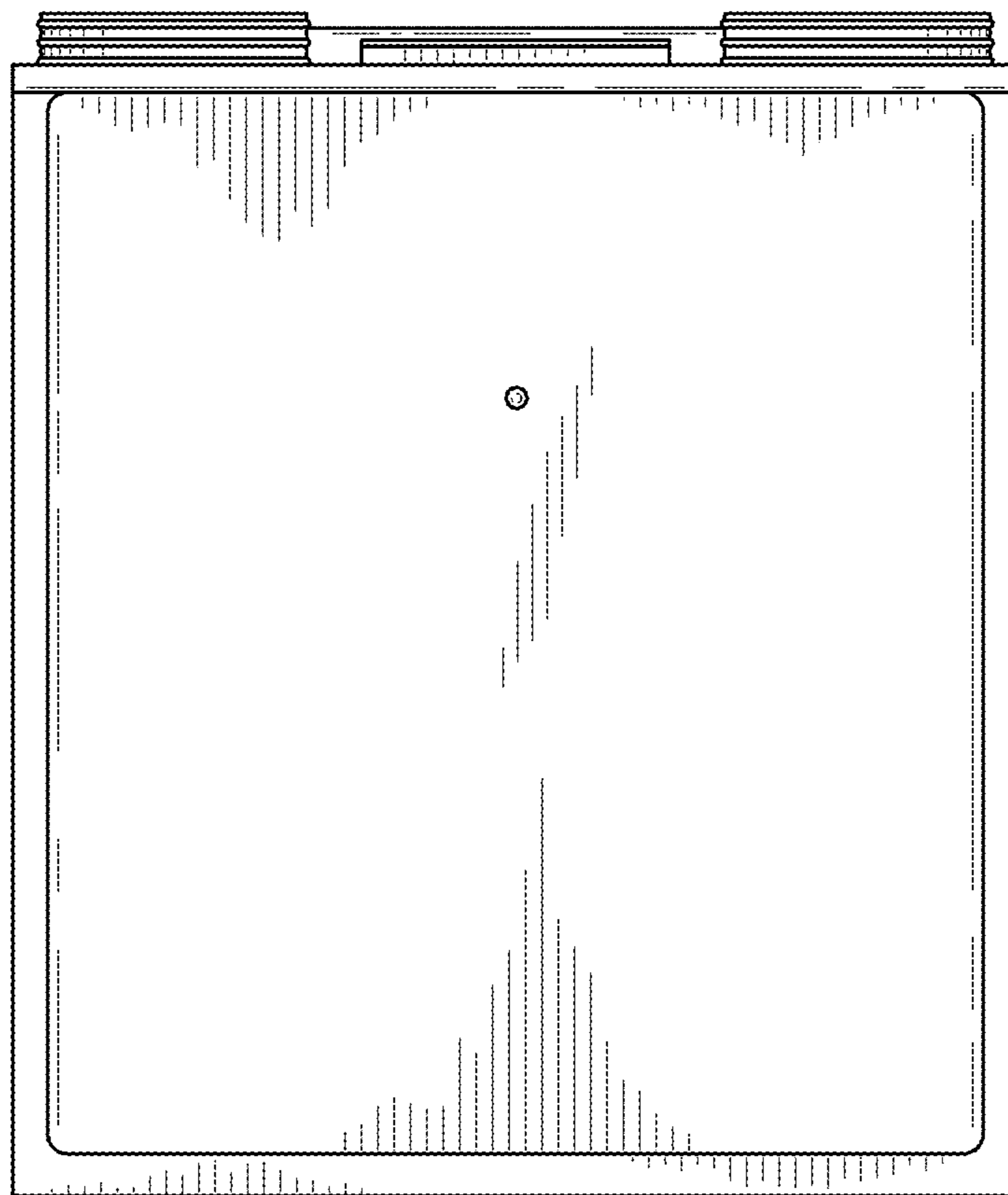


FIG. 3

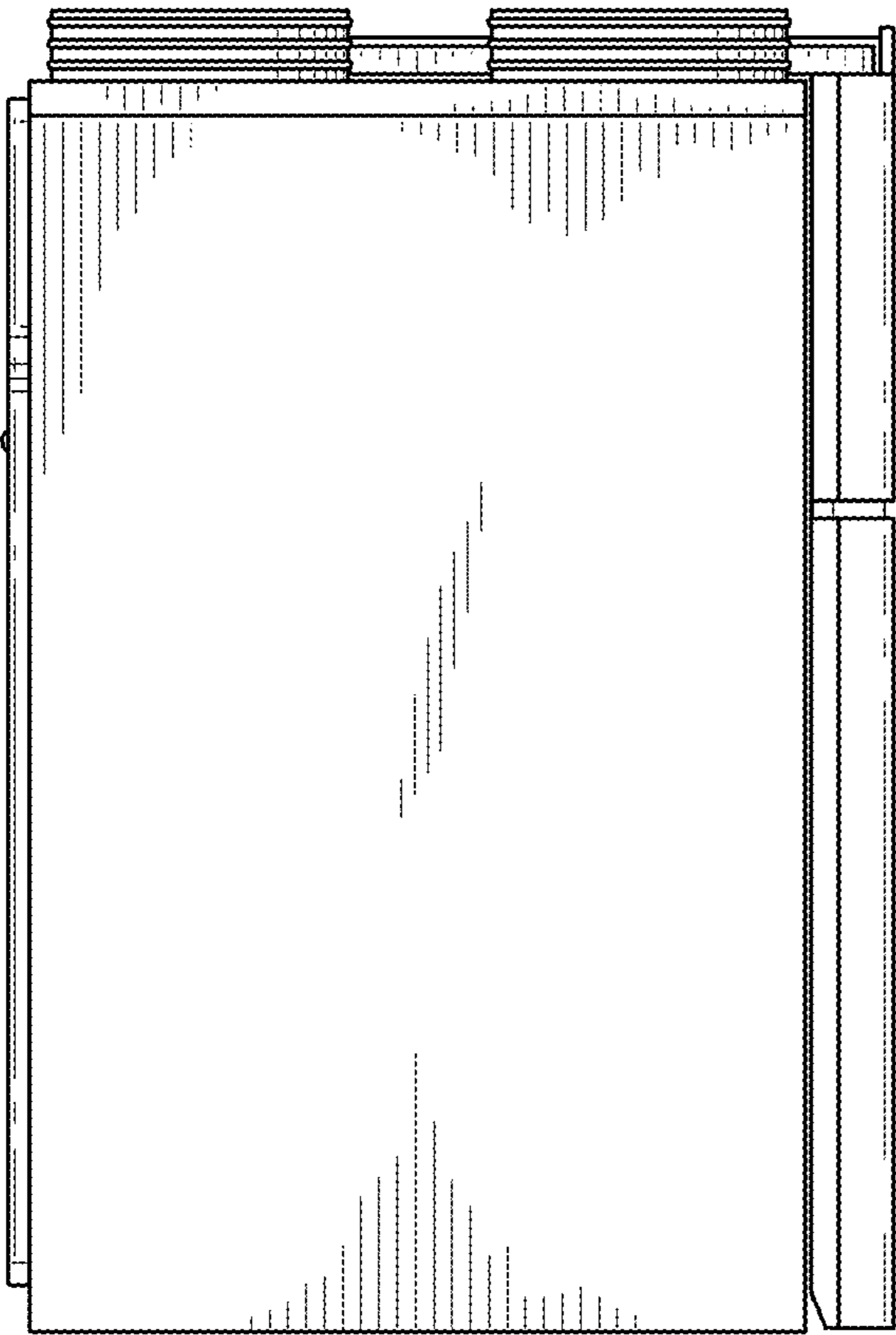


FIG. 4

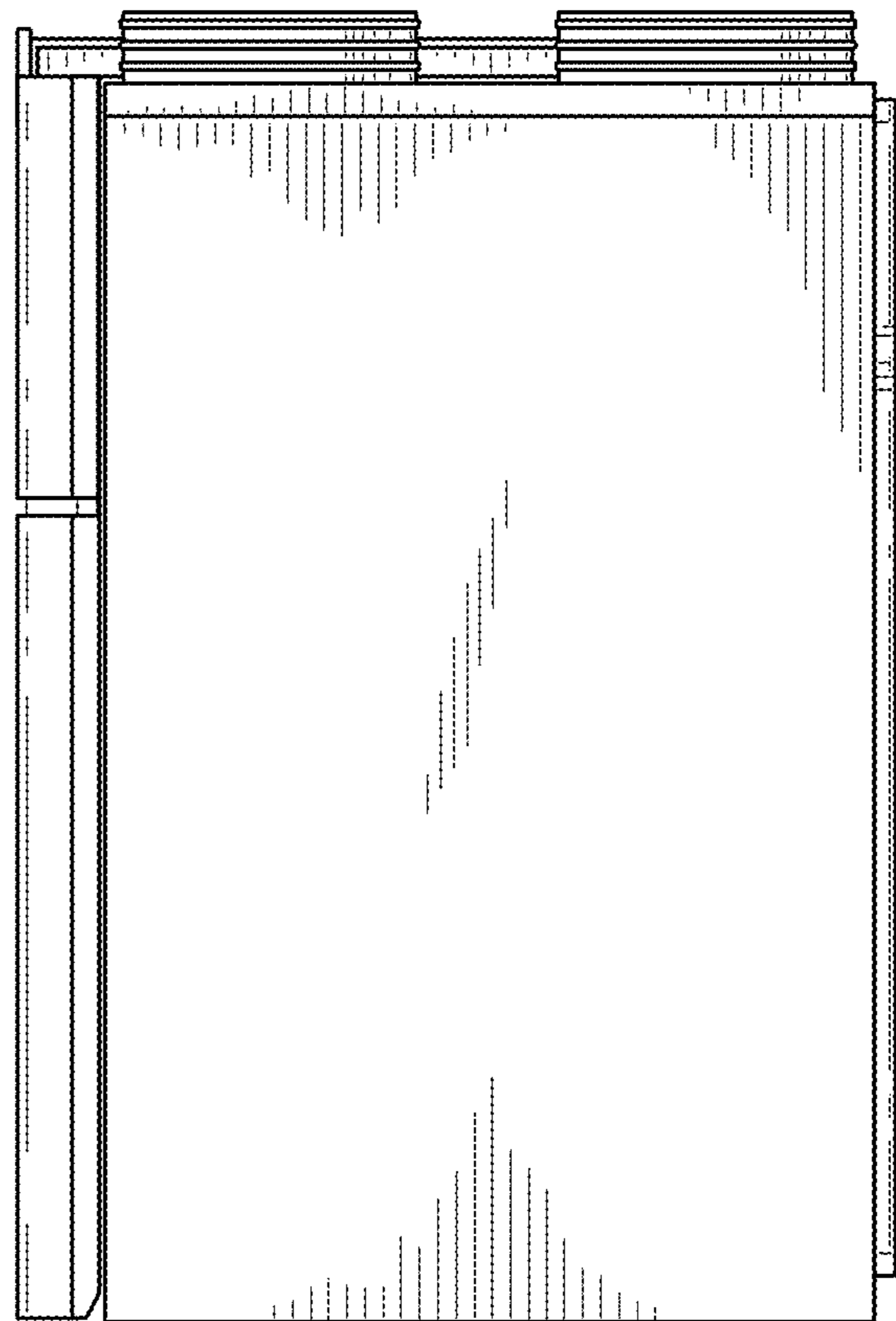


FIG. 5

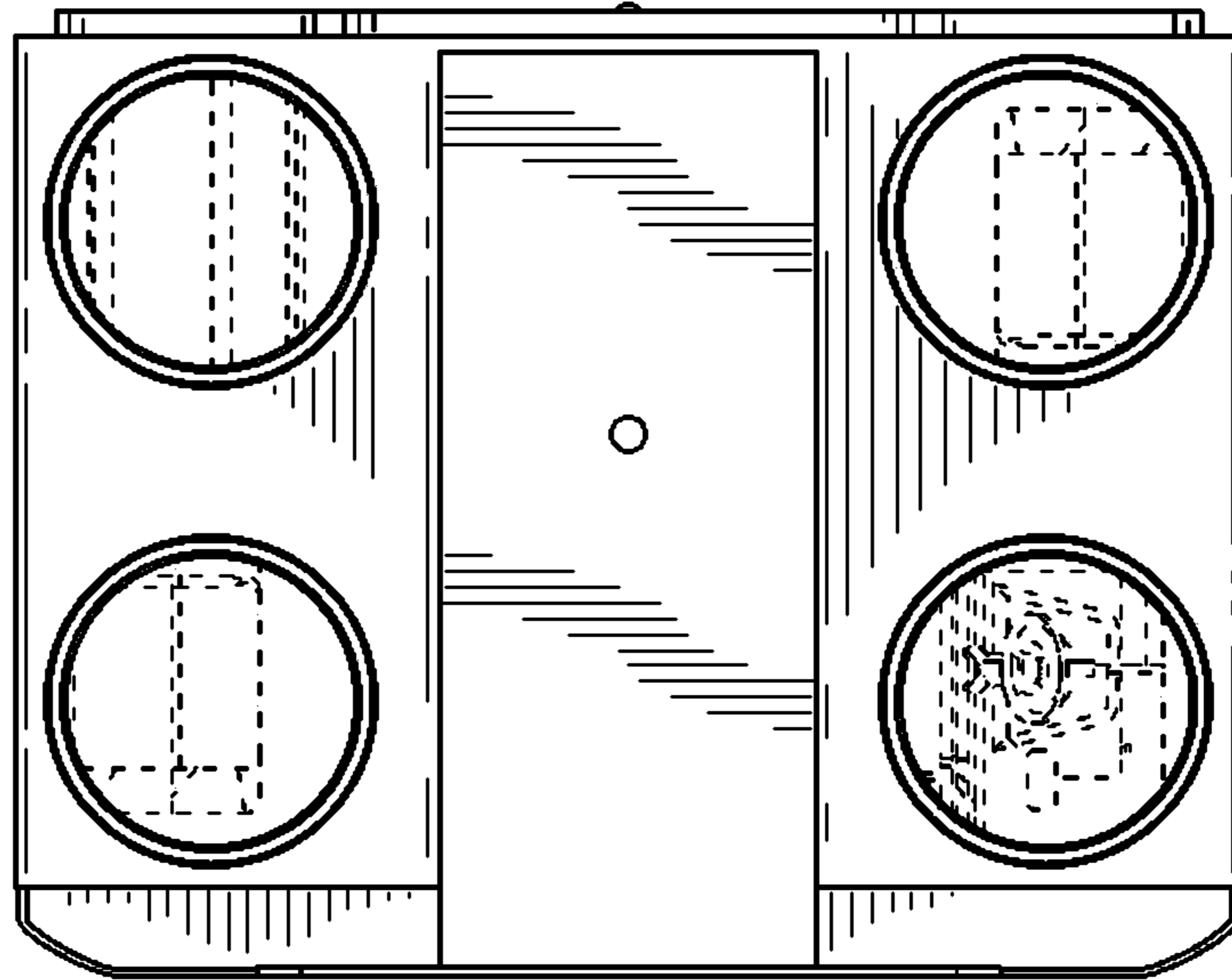


FIG. 6

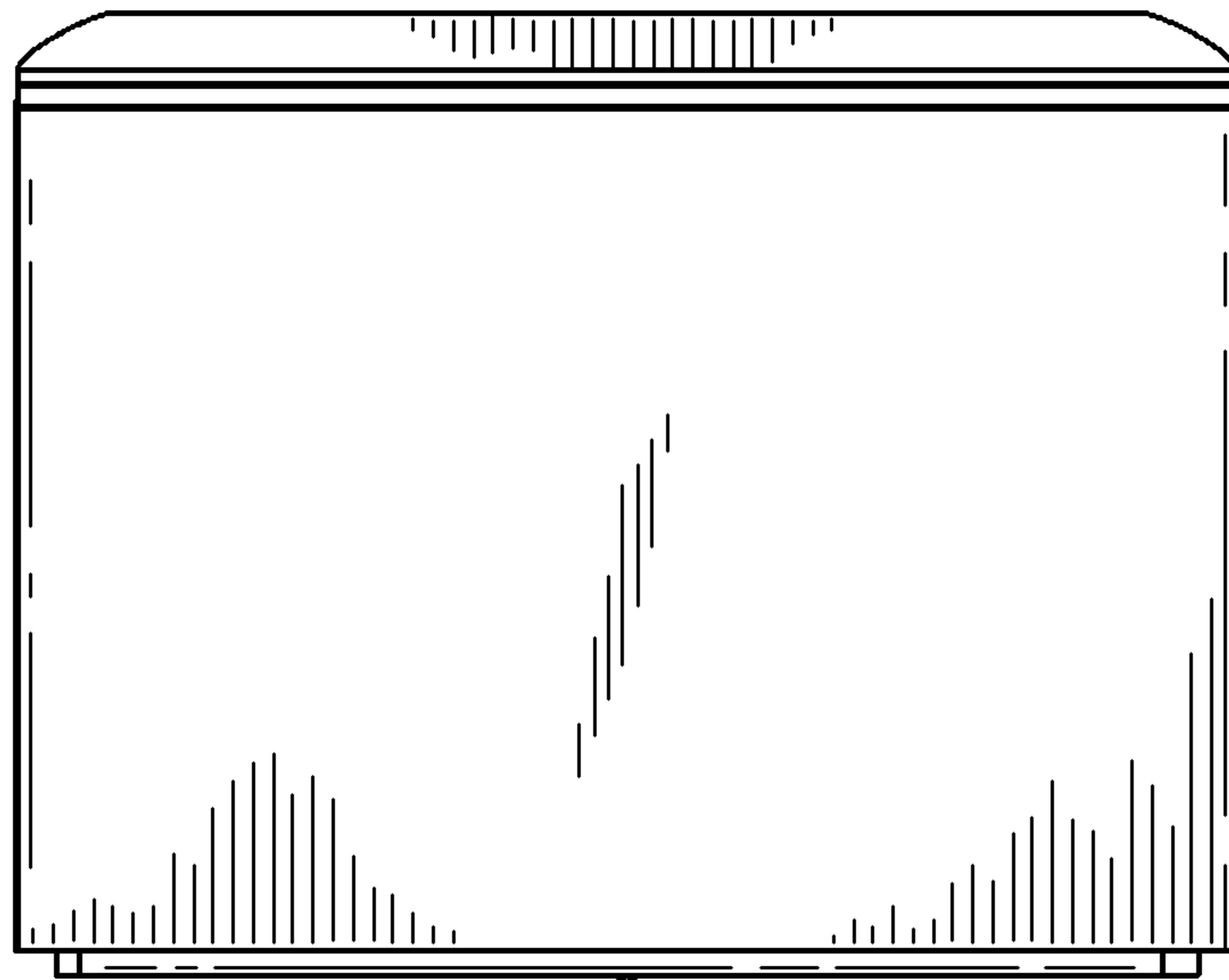


FIG. 7