



US00D877305S

(12) **United States Design Patent**  
**Shin et al.**

(10) **Patent No.:** **US D877,305 S**  
(45) **Date of Patent:** **\*\* Mar. 3, 2020**

(54) **AIR PURIFIER**

(71) Applicant: **Samsung Electronics Co., Ltd.**,  
Suwon-si (KR)

(72) Inventors: **Young-Sun Shin**, Seoul (KR);  
**Kang-Doo Kim**, Seoul (KR);  
**Dong-Hyuk Uim**, Seoul (KR);  
**Jung-Ah Choi**, Seoul (KR)

(73) Assignee: **Samsung Electronics Co., Ltd.**,  
Suwon-si (KR)

(\*\*) Term: **15 Years**

(21) Appl. No.: **29/662,489**

(22) Filed: **Sep. 6, 2018**

(30) **Foreign Application Priority Data**

Jul. 12, 2018 (KR) ..... 30-2018-0032234

(51) **LOC (12) Cl.** ..... **23-04**

(52) **U.S. Cl.**  
USPC ..... **D23/364**

(58) **Field of Classification Search**  
USPC ..... D23/355–366, 352, 369, 332, 333, 335,  
D23/336, 342, 351; 422/120, 122;  
(Continued)

(56) **References Cited**

**U.S. PATENT DOCUMENTS**

D408,903 S \* 4/1999 Boyle ..... D23/332  
D499,472 S \* 12/2004 Ching ..... D23/332  
(Continued)

**FOREIGN PATENT DOCUMENTS**

EM 002440313-0002 4/2014  
EM 003009539-0015 3/2016  
(Continued)

**OTHER PUBLICATIONS**

“Samsung Electronics unveils ‘Samsung Cube’, a modular air purifier with unique clean function” [2018] www.news.samsung.

com Feb. 8, 2018 <<https://news.samsung.com/kr/%ec%82%bc%ec%84%b1%ec%a0%84%ec%9e%90-%eb%8f%85%eb%b3%b4%ec%a0%81-%ec%b2%ad%ec%a0%95-%ea%b8%b0%eb%8a%a5%ec%9d%98-%eb%aa%a8%eb%93%88%ed%98%95-%ea%b3%b5%ea%b8%b0%ec%b2%ad%ec%a0%95%ea%b8%b0%>>>.

*Primary Examiner* — David G Muller

(74) *Attorney, Agent, or Firm* — NSIP Law

(57) **CLAIM**

We claim the ornamental design for an air purifier, as shown and described.

**DESCRIPTION**

FIG. 1 is a front perspective view of an air purifier showing our new design;  
FIG. 2 is a front view thereof;  
FIG. 3 is a rear view thereof;  
FIG. 4 is a left-side view thereof;  
FIG. 5 is a right-side view thereof;  
FIG. 6 is a top view thereof;  
FIG. 7 is a bottom view thereof;  
FIG. 8 is a front perspective view thereof in which the claimed portion is shown in an alternative position;  
FIG. 9 is a front view thereof;  
FIG. 10 is a rear view thereof;  
FIG. 11 is a left-side view thereof;  
FIG. 12 is a right-side view thereof;  
FIG. 13 is a top view thereof;  
FIG. 14 is a bottom view thereof;  
FIG. 15 is a front perspective view there in which the claimed portion is shown in an alternative position;  
FIG. 16 is a front view thereof;  
FIG. 17 is a rear view thereof;  
FIG. 18 is a left-side view thereof;  
FIG. 19 is a right-side view thereof;  
FIG. 20 is a top view thereof;  
FIG. 21 is a bottom view thereof;  
FIG. 22 is an enlarged view of the encircled portion in FIG. 1;  
FIG. 23 is an enlarged view of the encircled portion in FIG. 8

(Continued)

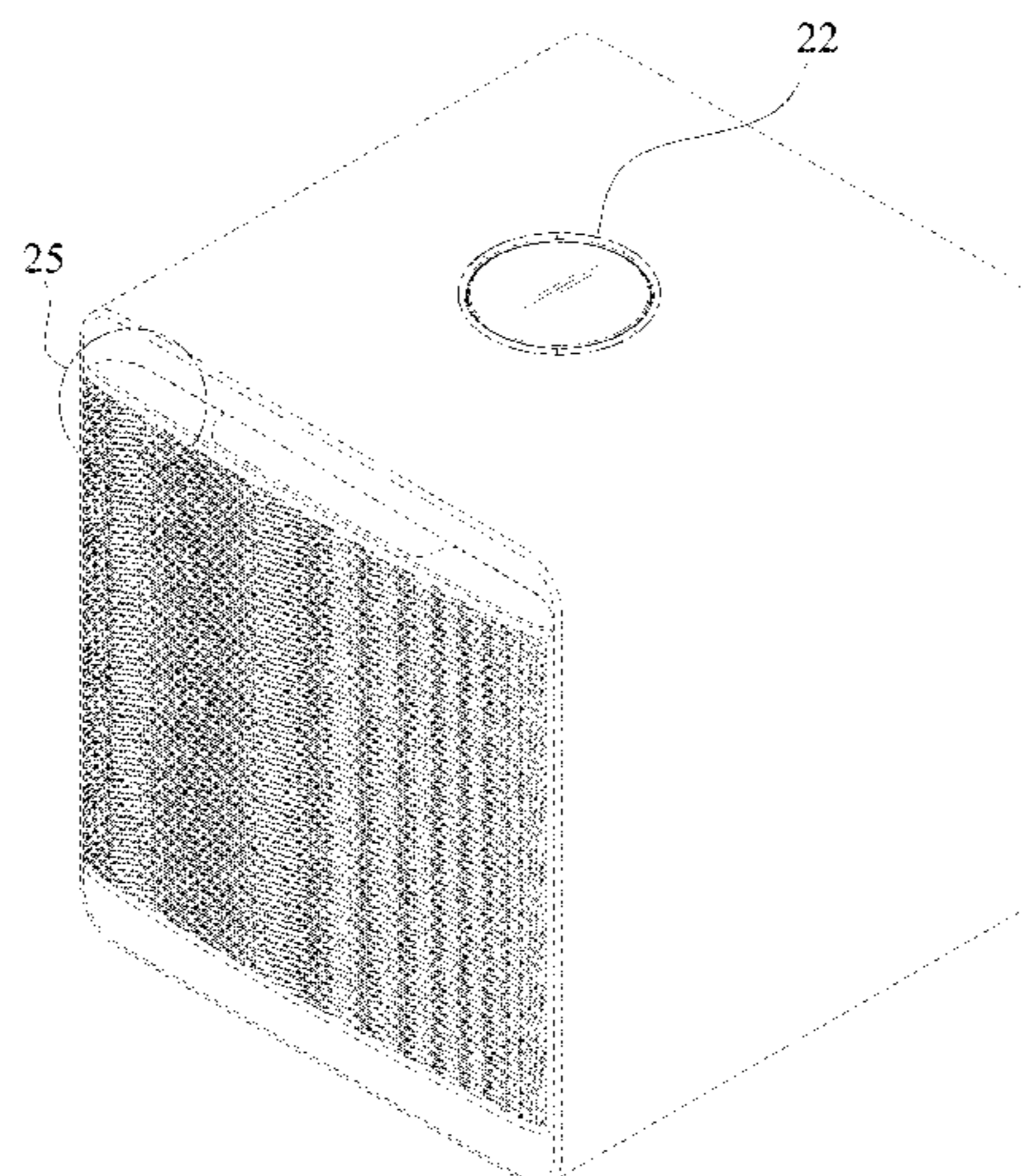


FIG. 24 is an enlarged view of the encircled portion in FIG. 15; and,

FIG. 25 is an enlarged view of the encircled portion in FIG. 1.

The evenly spaced broken lines in the figures depict portions of the air purifier which form no part of the claimed design. The dot-dash broken lines encircling portions of the claimed design that are illustrated in enlargements form no part of the claimed design.

**1 Claim, 25 Drawing Sheets**

(58) **Field of Classification Search**

USPC ..... 55/356, 473, 504; 96/971; 261/DIG. 17,  
261/DIG. 65, DIG. 88, DIG. 31  
CPC .. A61L 9/16; A61L 9/22; B01D 47/00; B01D  
47/027; B01D 2221/02; B01D 2259/4508;  
B03C 3/155; B03C 3/368; F24F 3/16;  
F24F 13/20; F24F 13/28

See application file for complete search history.

(56)

**References Cited**

U.S. PATENT DOCUMENTS

D581,520	S	*	11/2008	Williams	.....	D23/360
D608,432	S	*	1/2010	Aruga	.....	D23/358
D646,768	S	*	10/2011	Chan	.....	D23/364
D657,857	S	*	4/2012	Choi	.....	D23/364
D658,754	S	*	5/2012	Mandell	.....	D23/366
D733,273	S	*	6/2015	Jeon	.....	D23/333
D751,184	S	*	3/2016	Farone	.....	D23/364
D798,430	S	*	9/2017	Nord	.....	D23/364
D826,388	S	*	8/2018	Yeung	.....	D23/356
D837,355	S	*	1/2019	Gunnfur	.....	D23/364
D849,220	S	*	5/2019	Fang	.....	D23/364

FOREIGN PATENT DOCUMENTS

KR	30-2013-0034459	6/2017
WO	WO DM/085251	12/2014
WO	WO DM/091010	5/2016

\* cited by examiner

FIG. 1

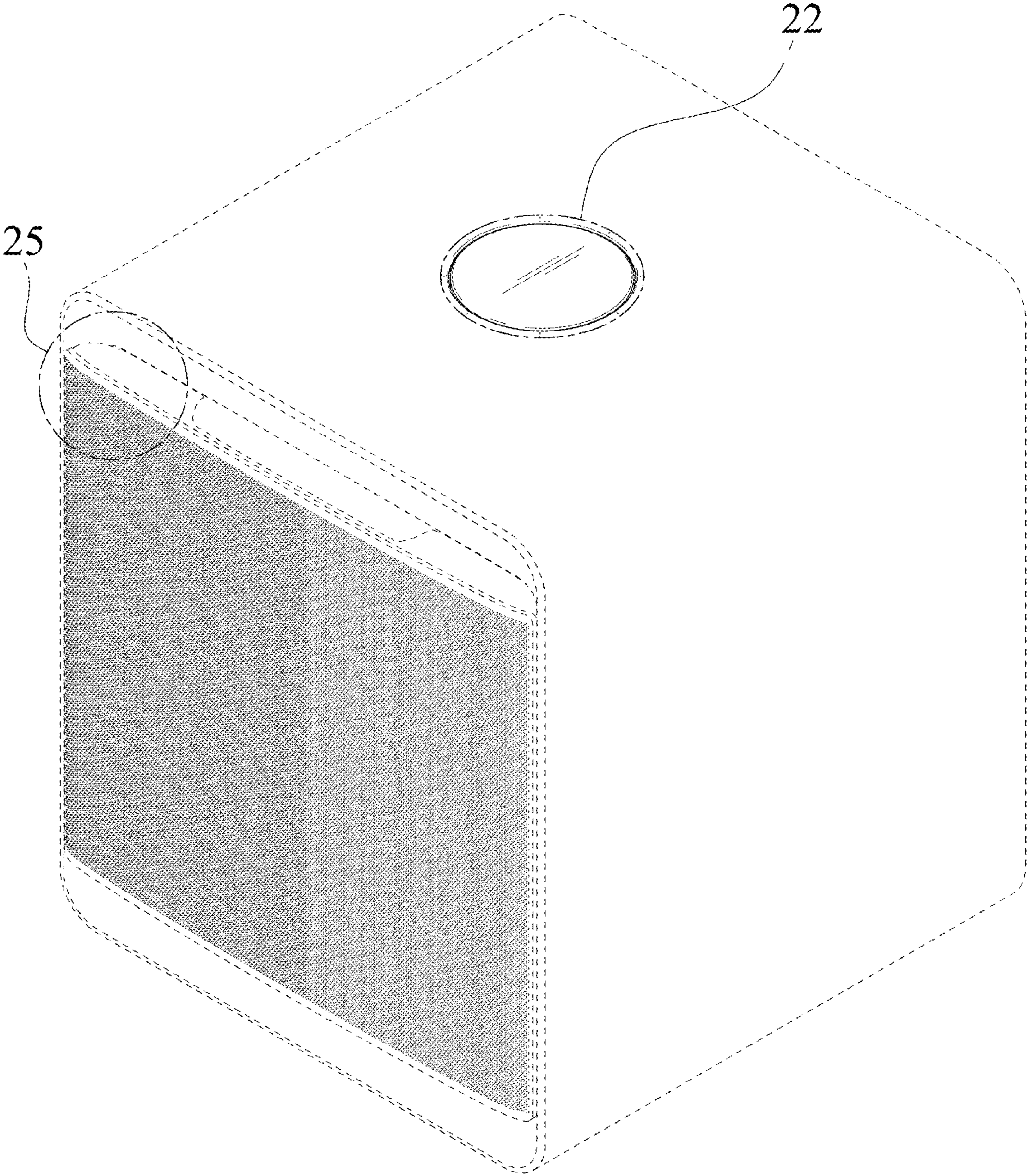


FIG. 2

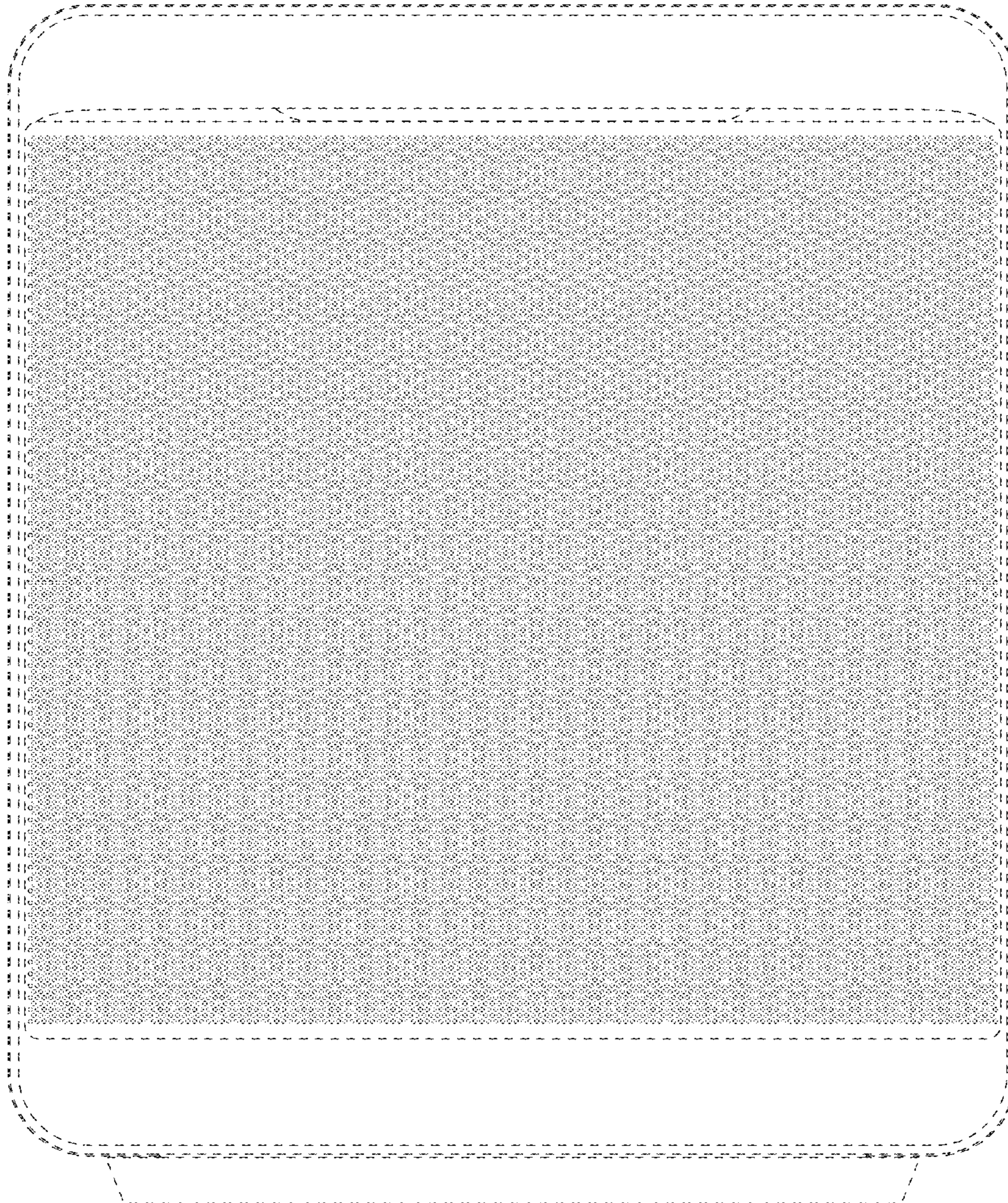


FIG. 3

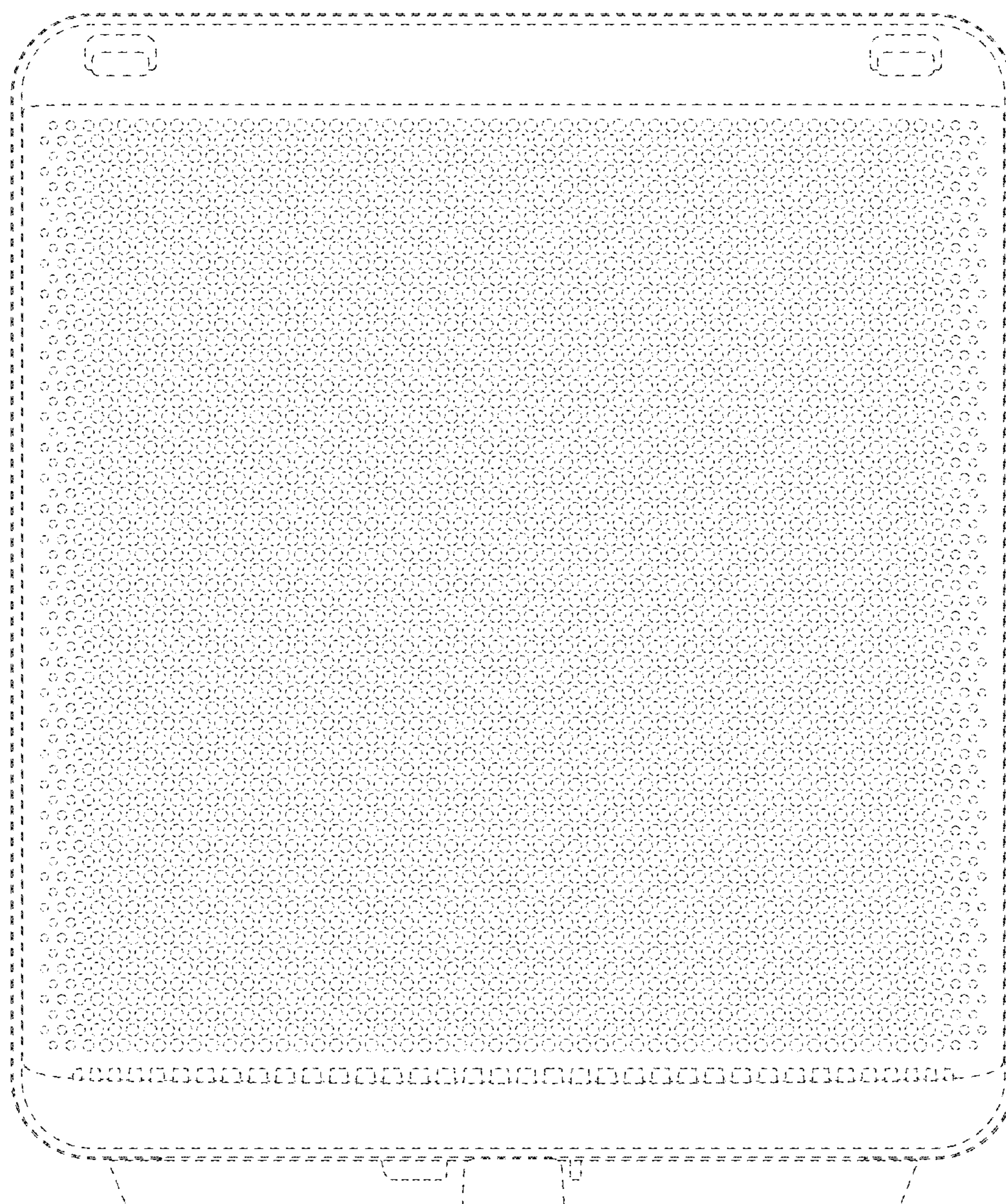


FIG. 4

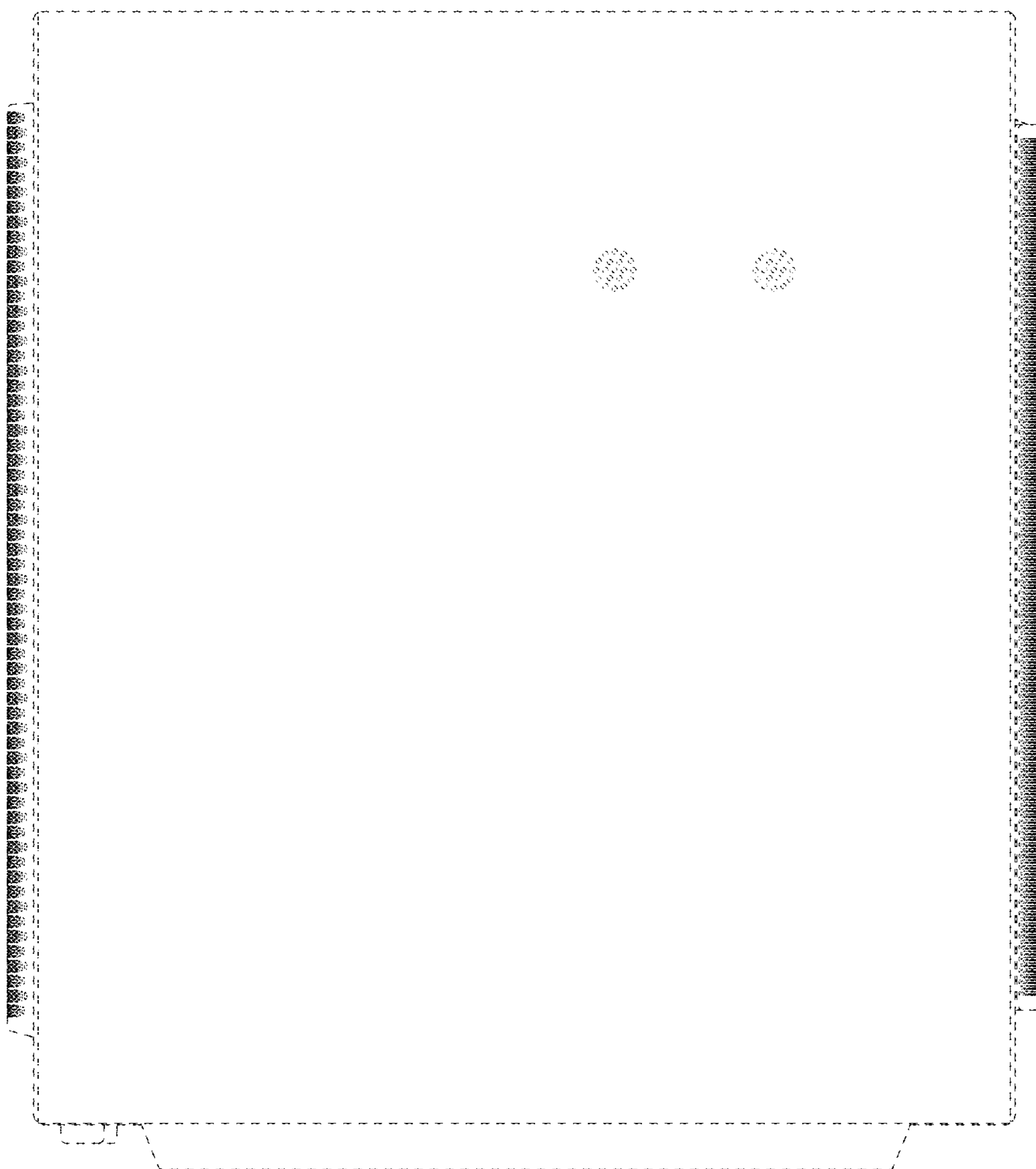


FIG. 5

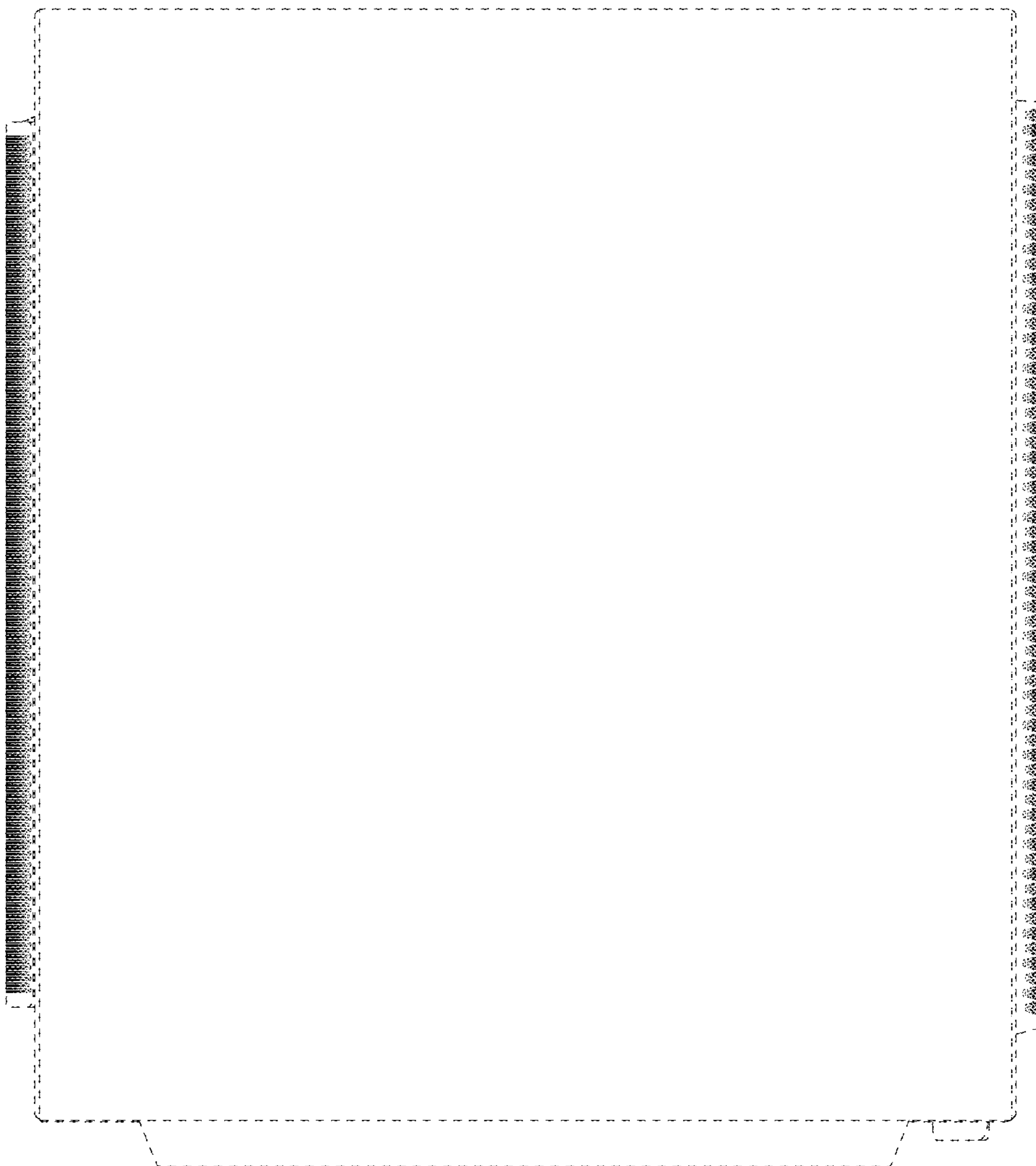


FIG. 6

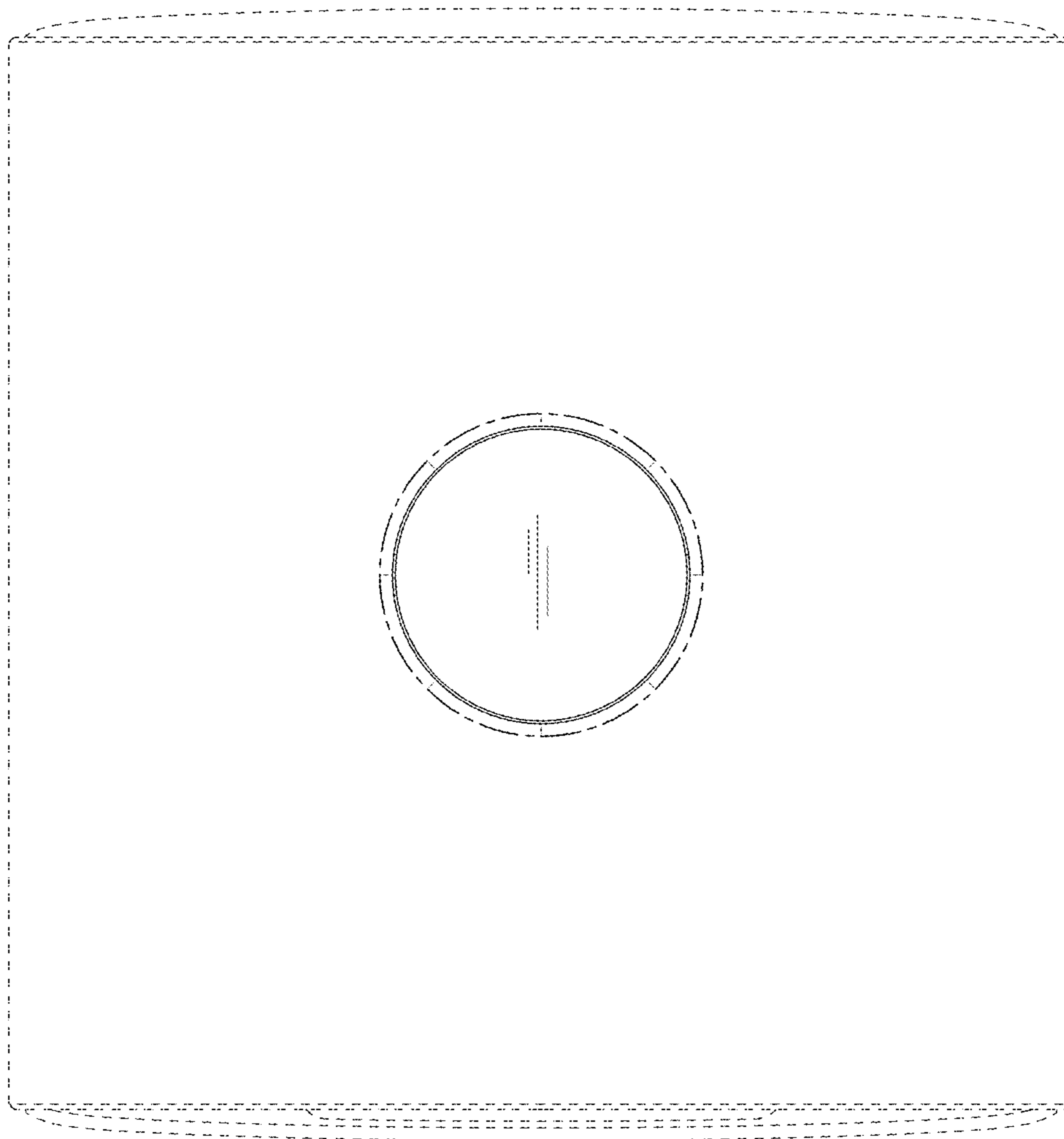




FIG. 7

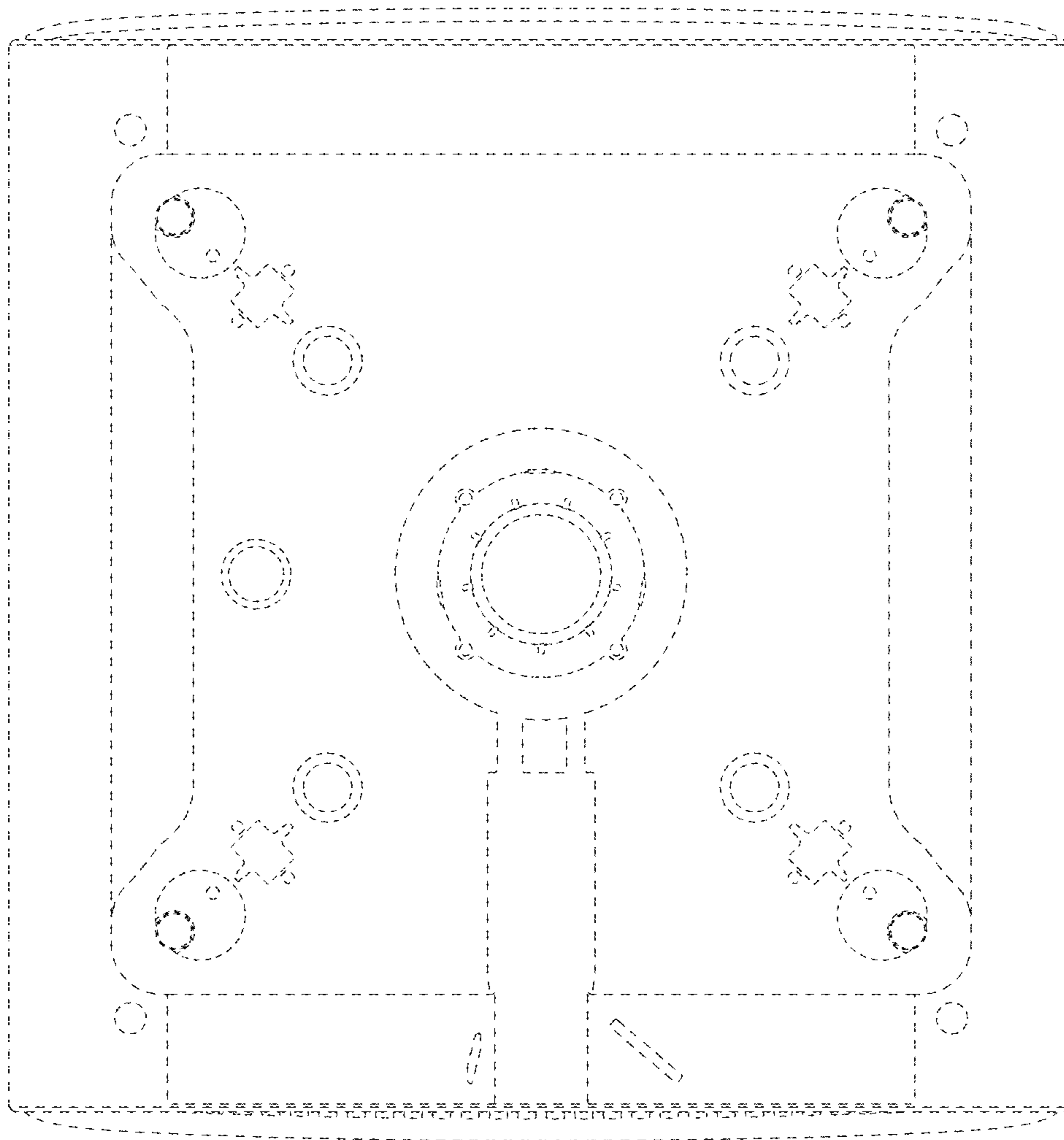


FIG. 8

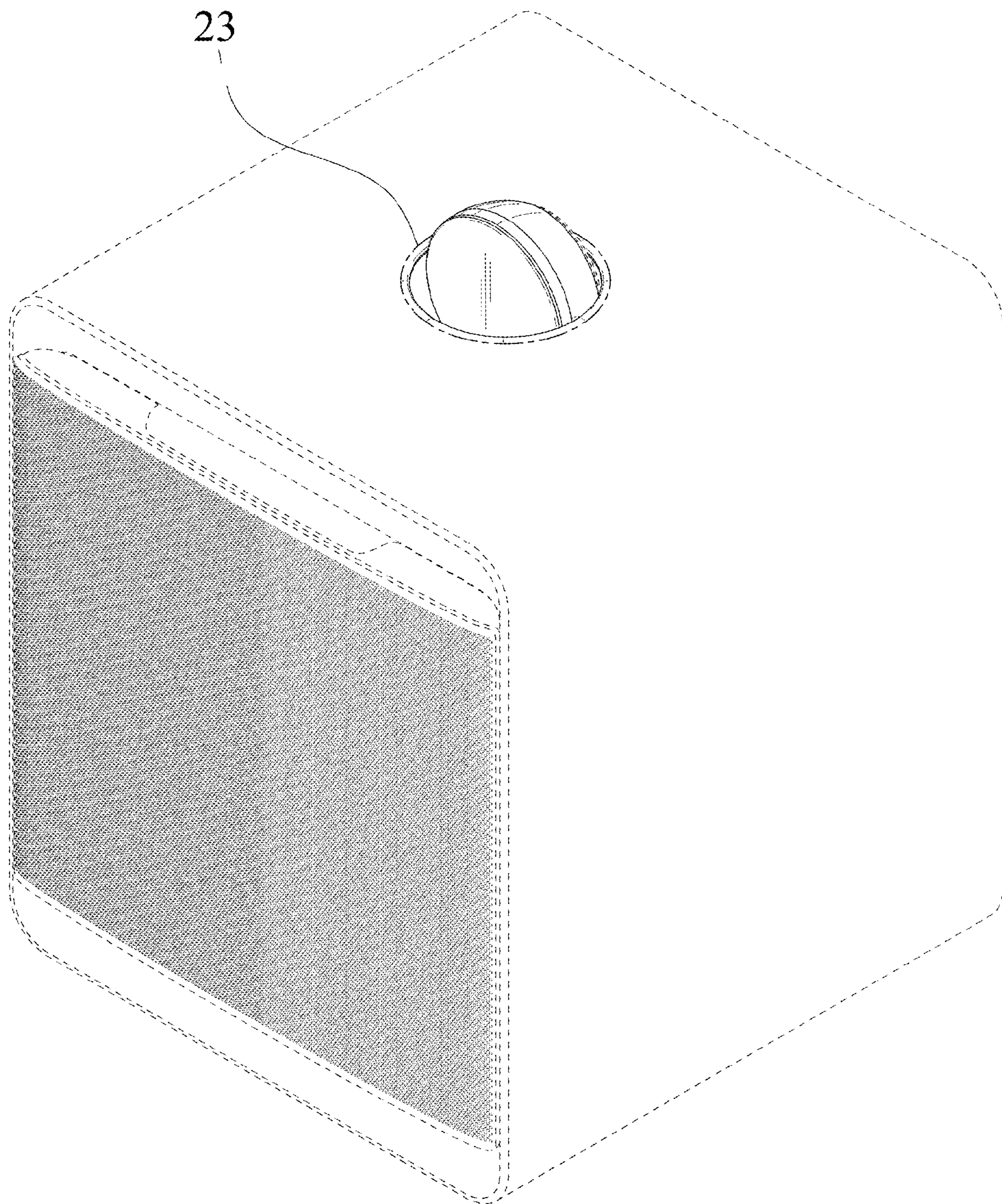


FIG. 9

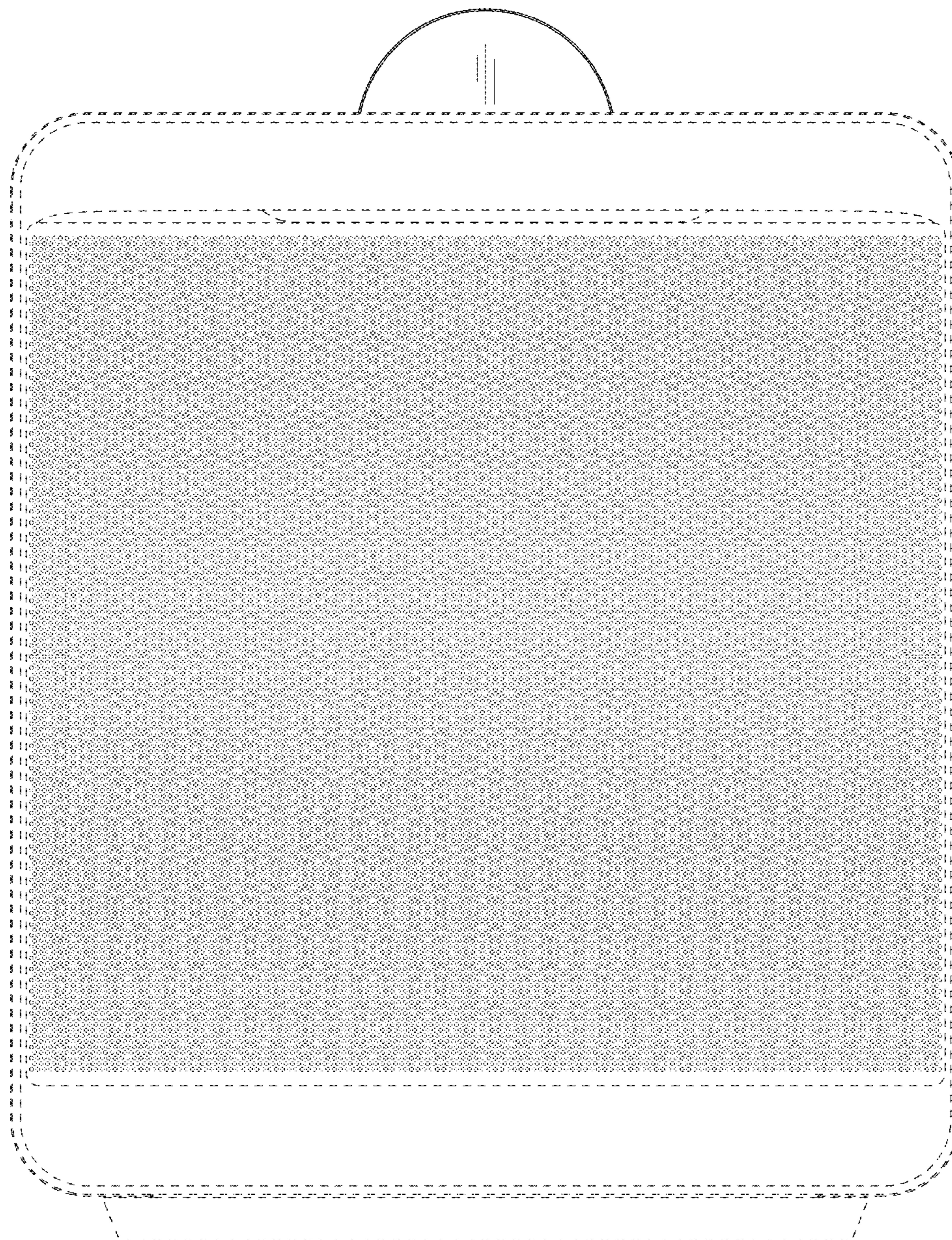


FIG. 10

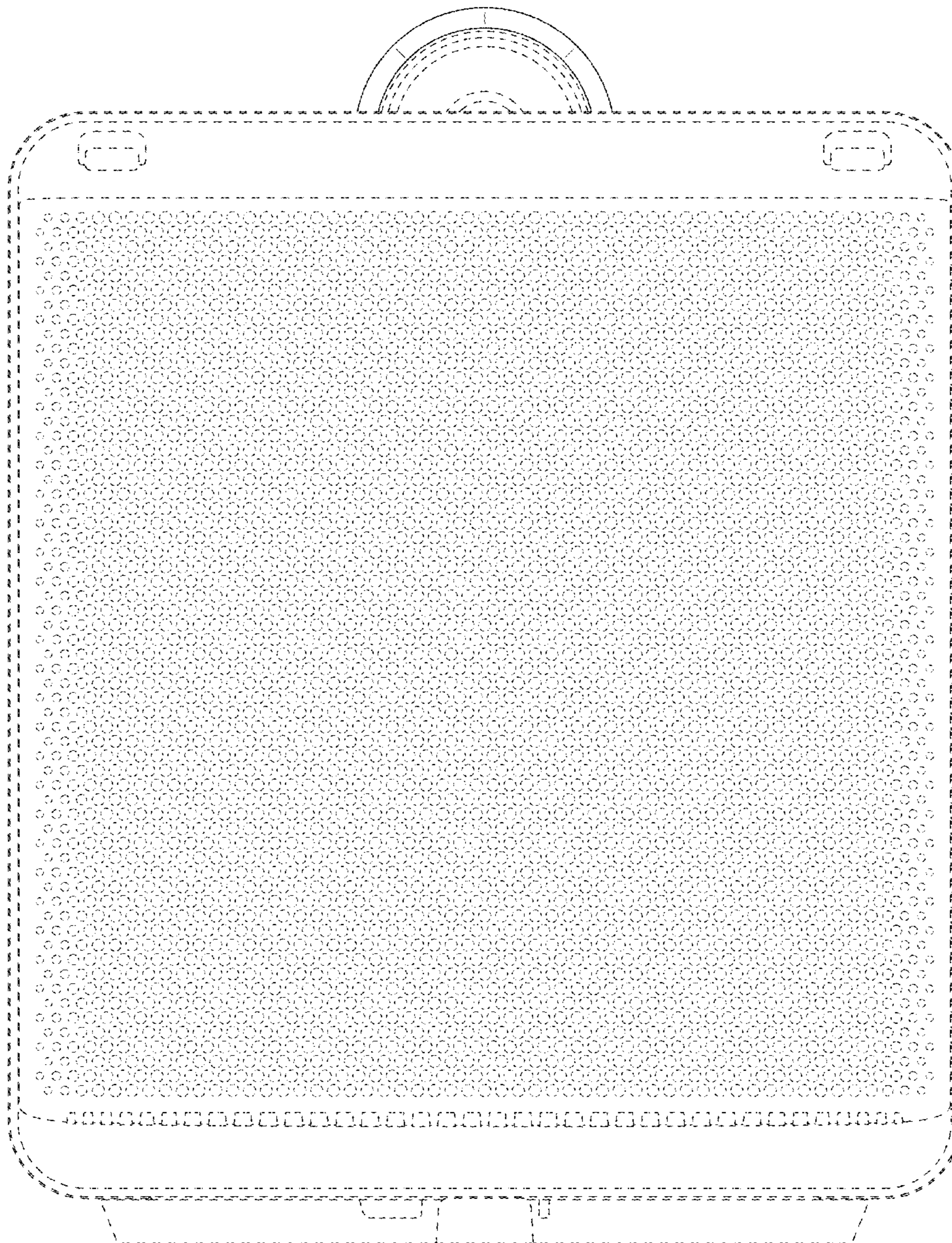


FIG. 11

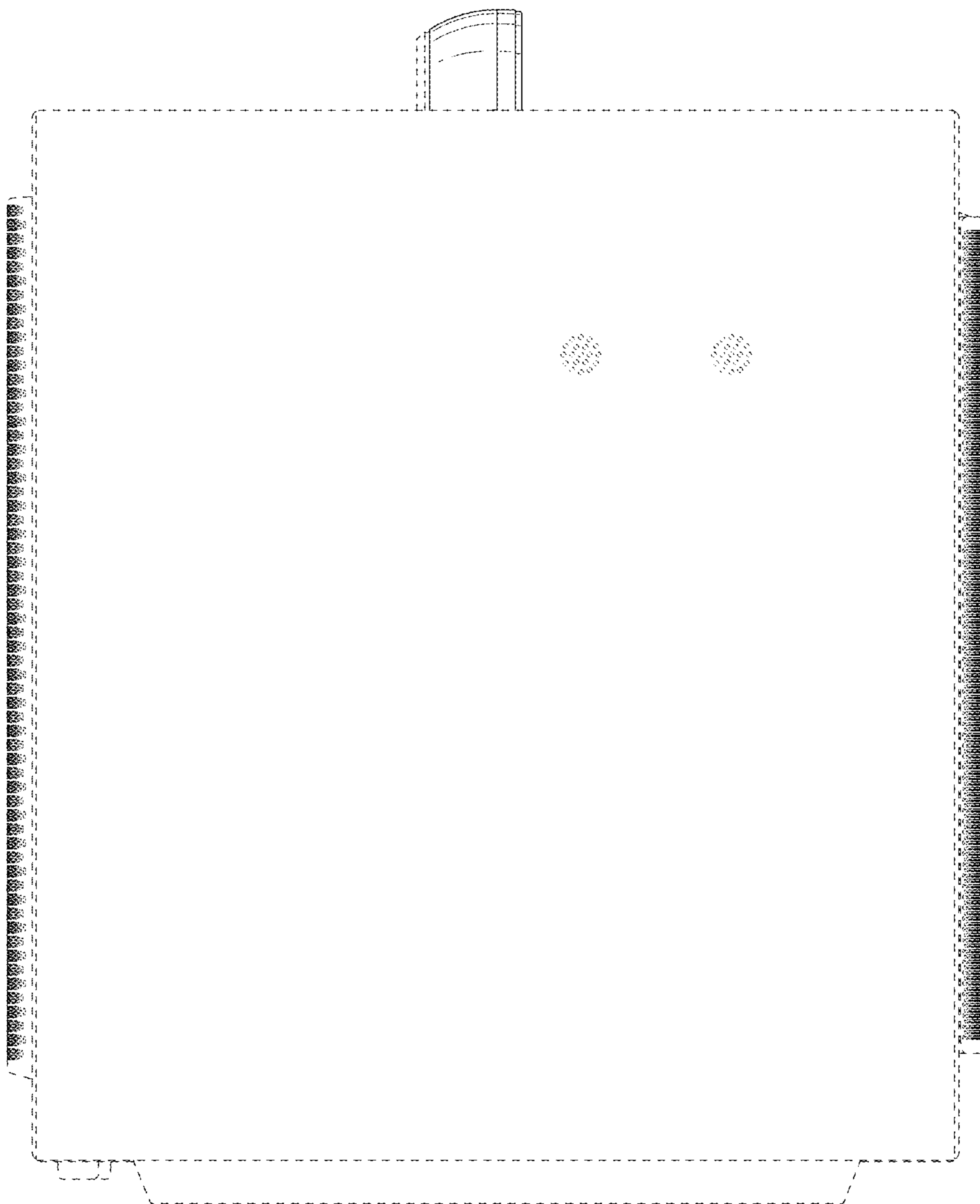


FIG. 12

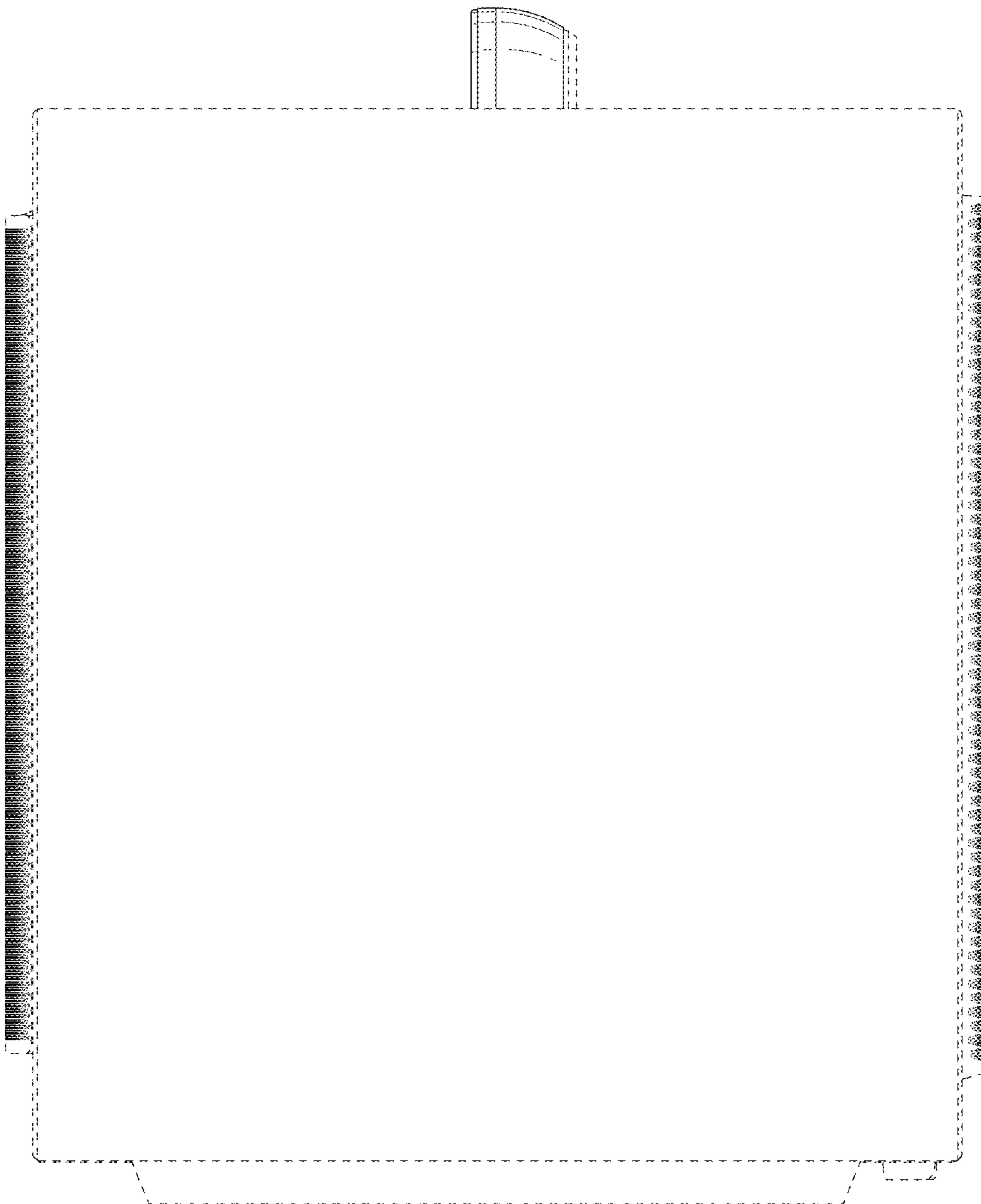


FIG. 13

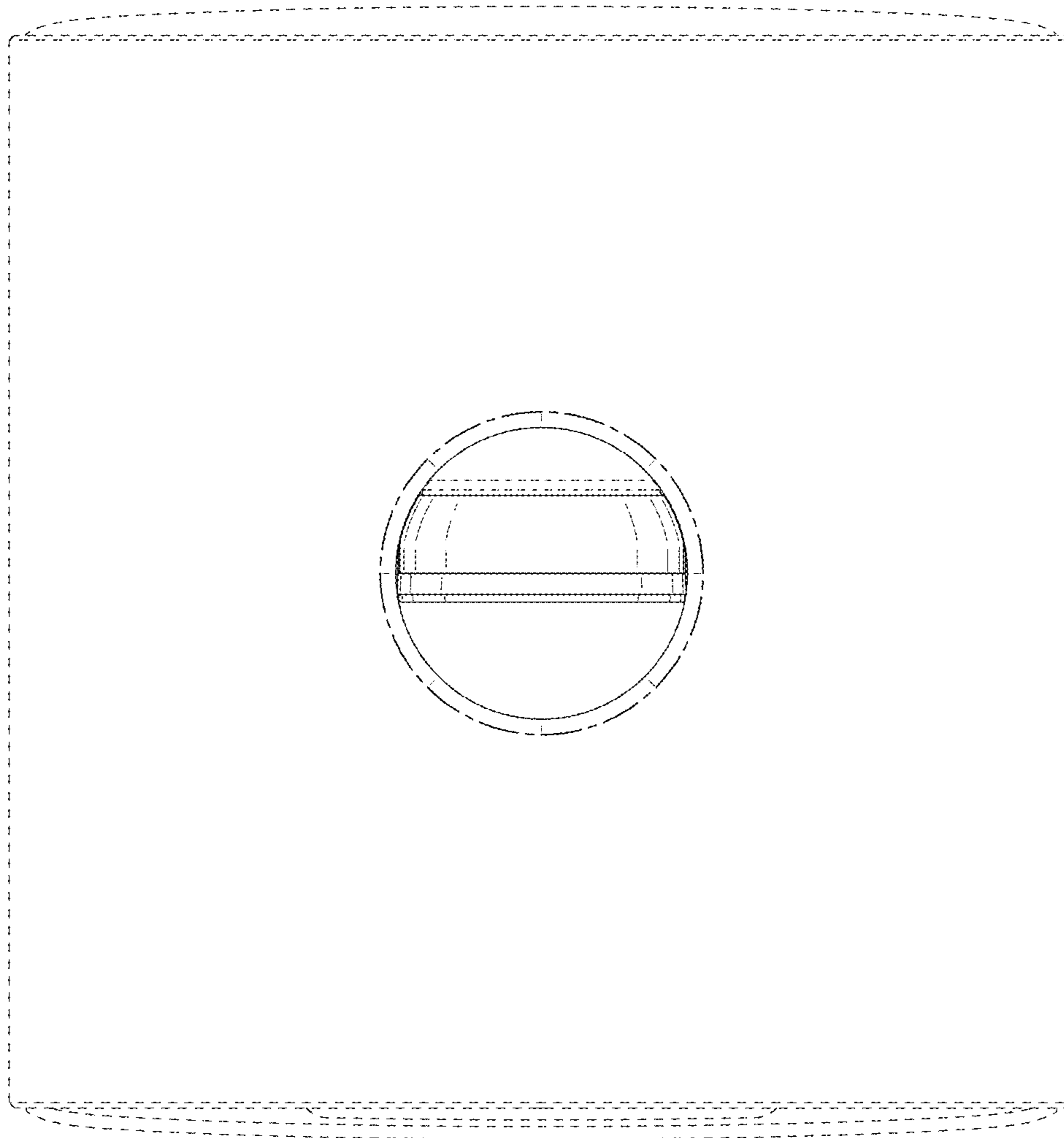


FIG. 14

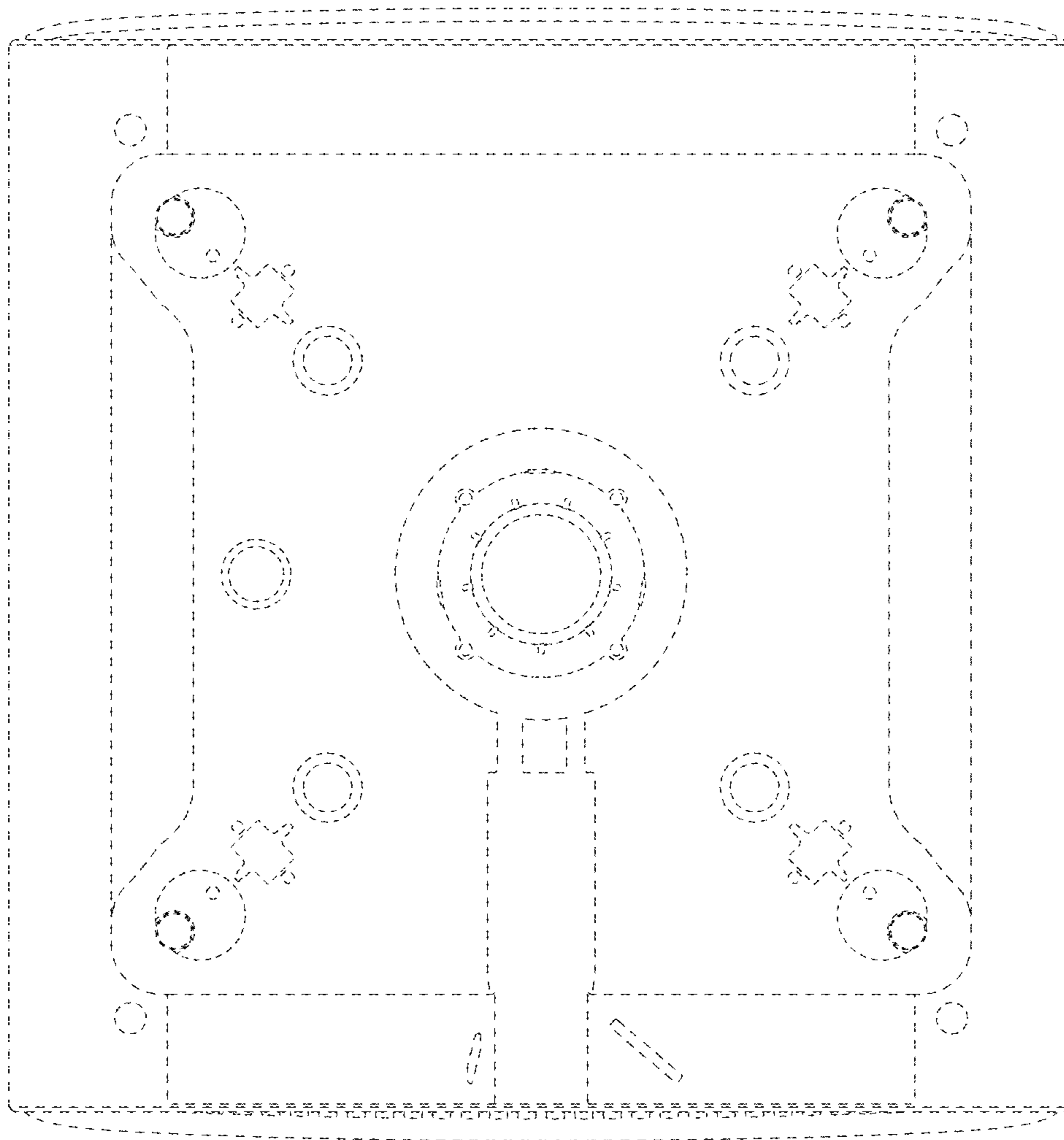




FIG. 15

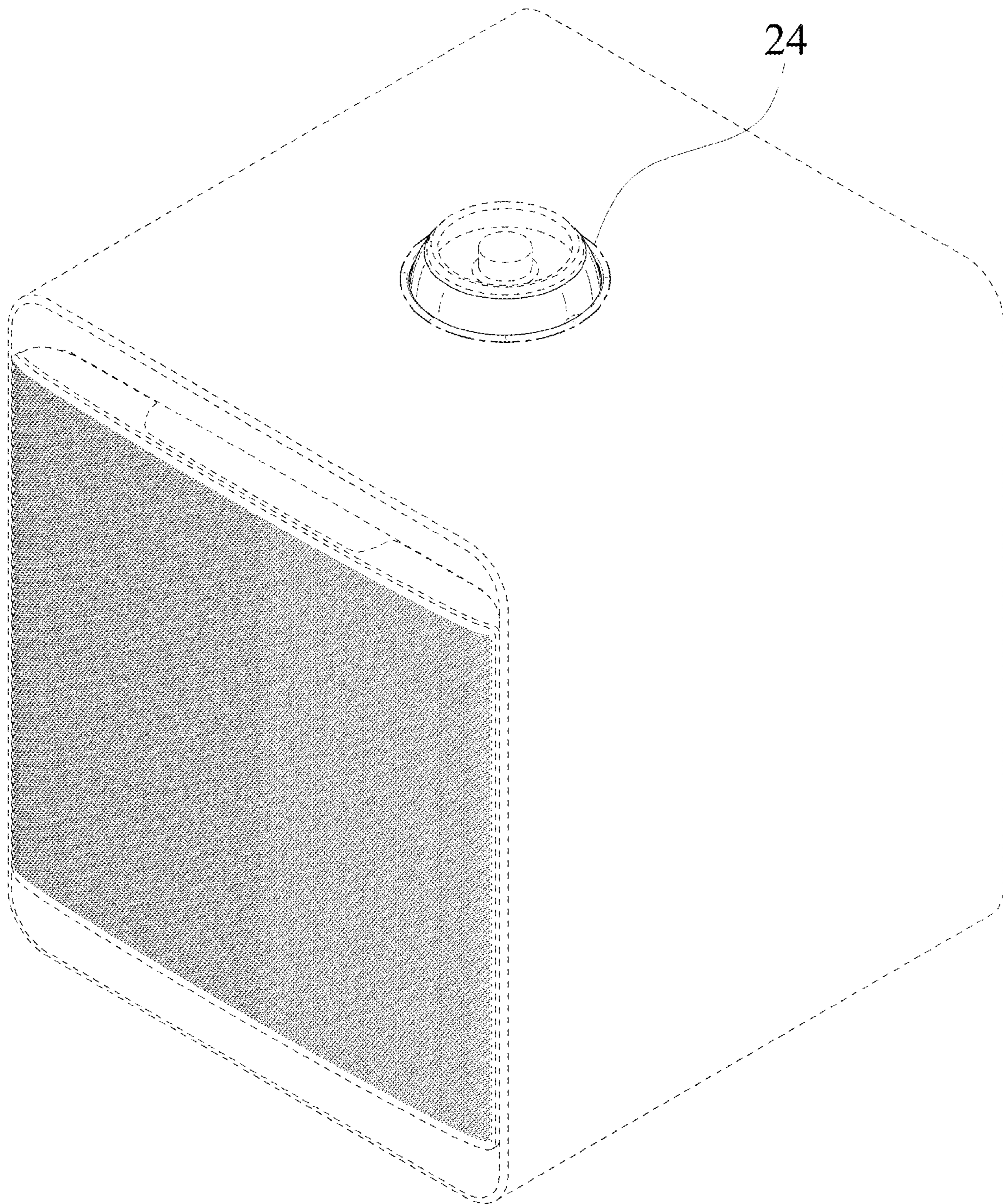


FIG. 16

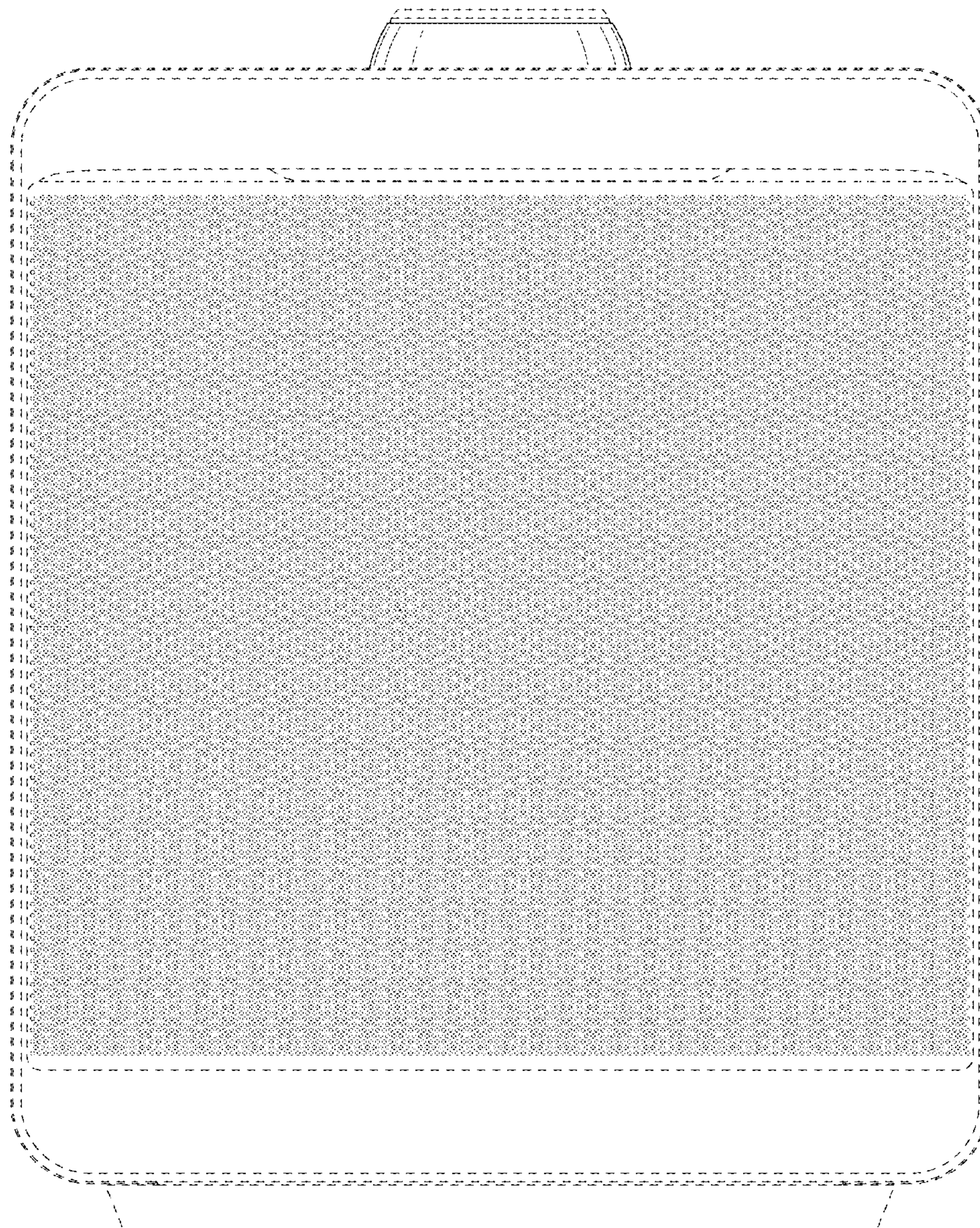


FIG. 17

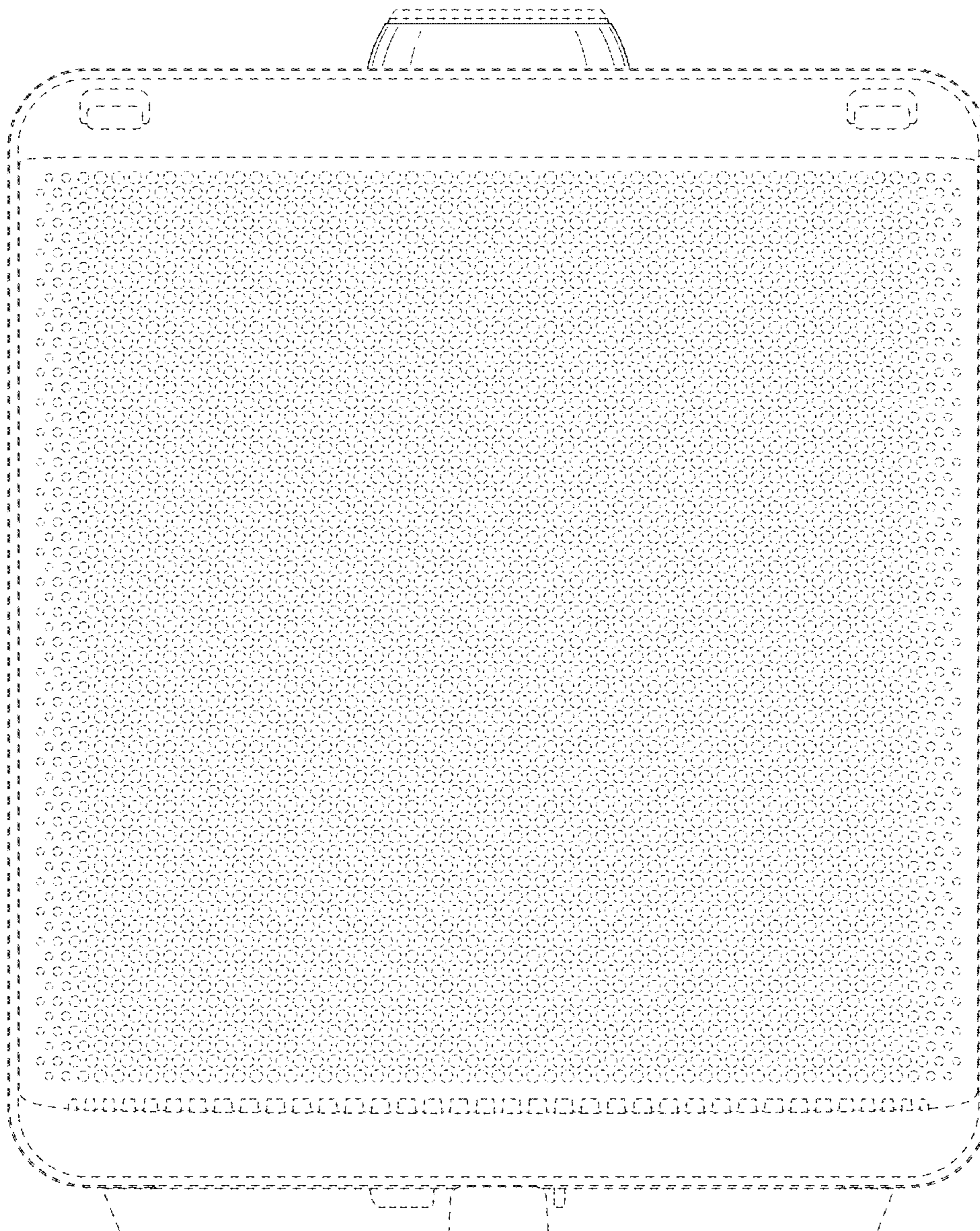


FIG. 18

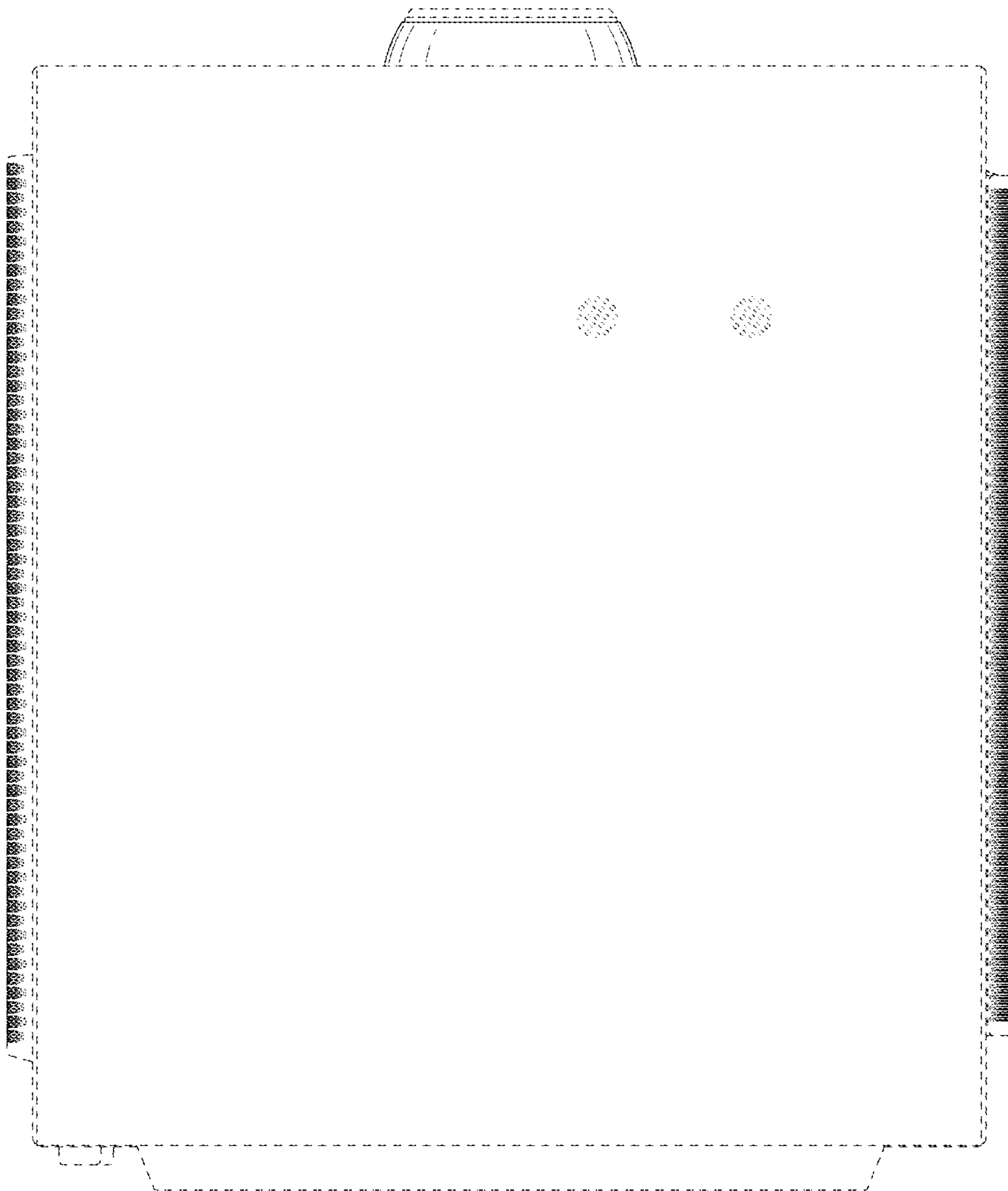


FIG. 19

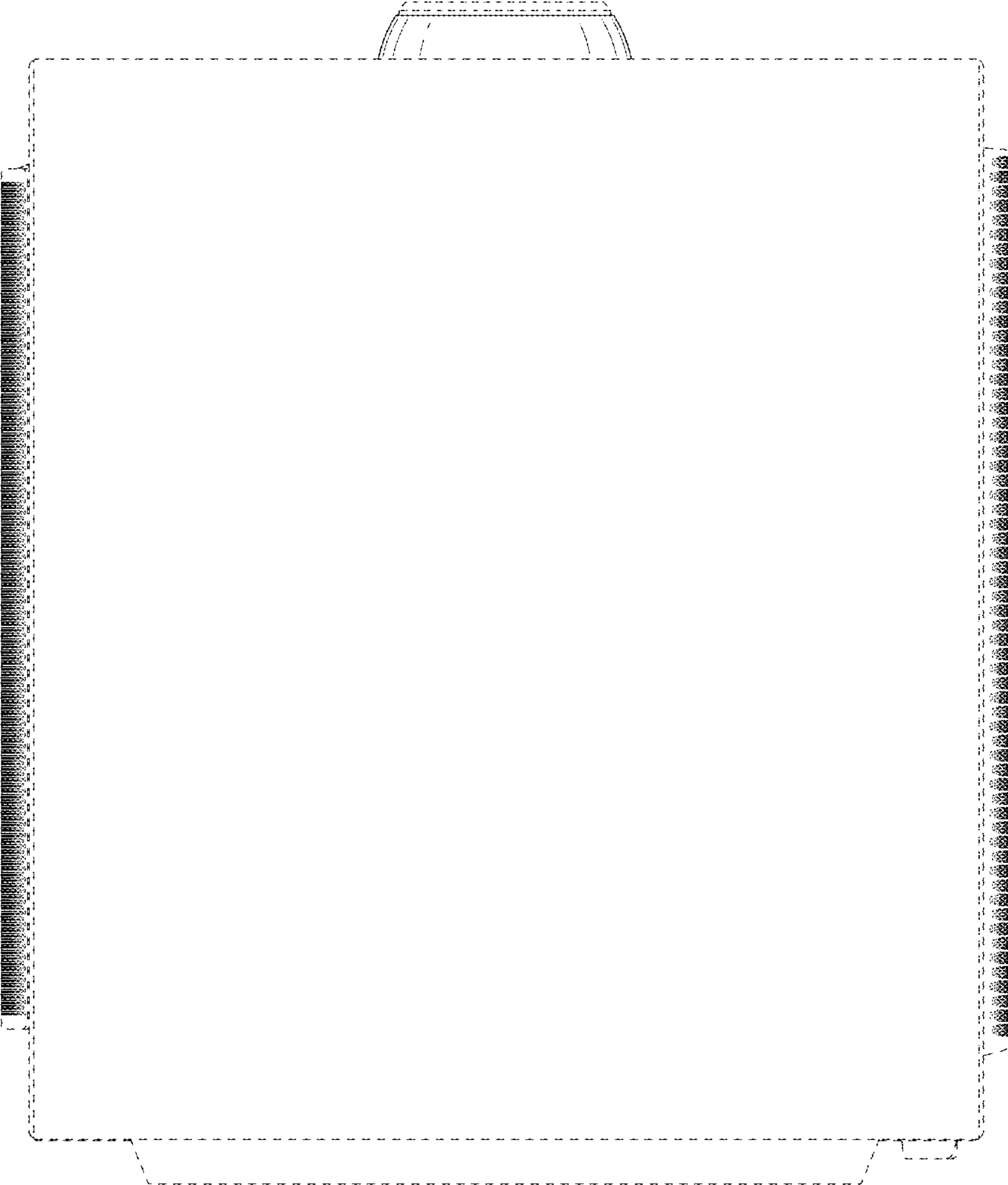


FIG. 20

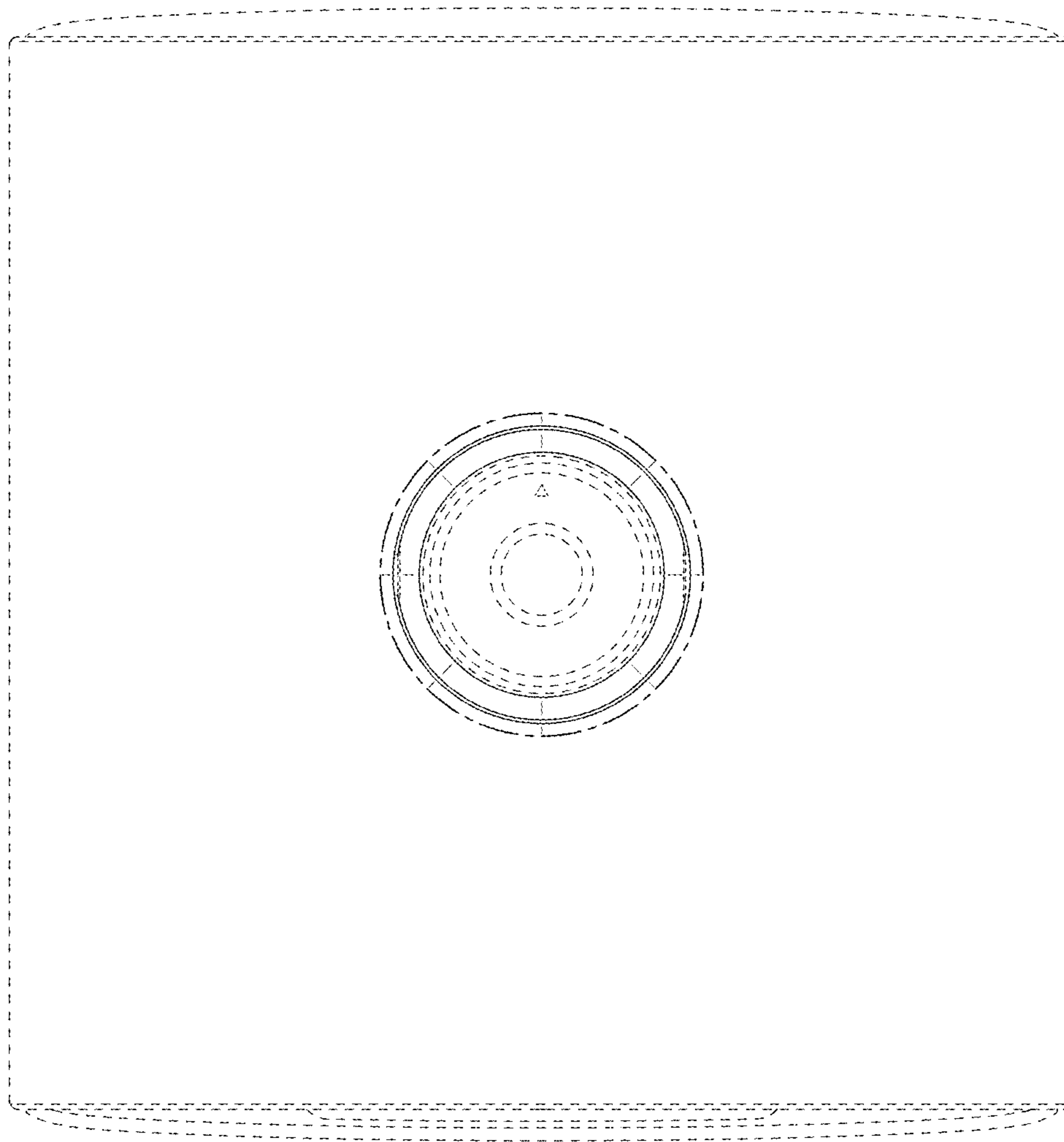


FIG. 21

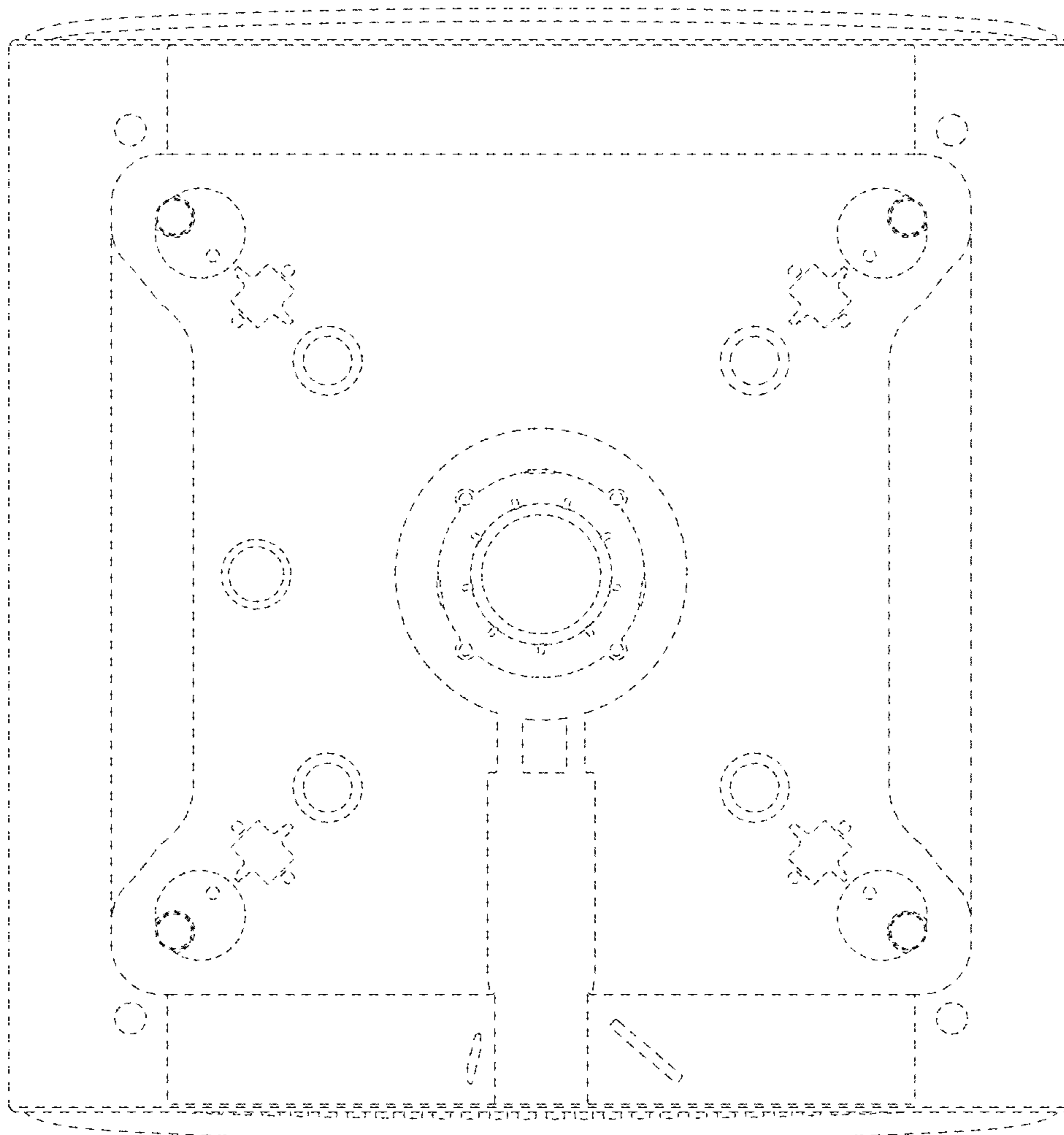


FIG. 22

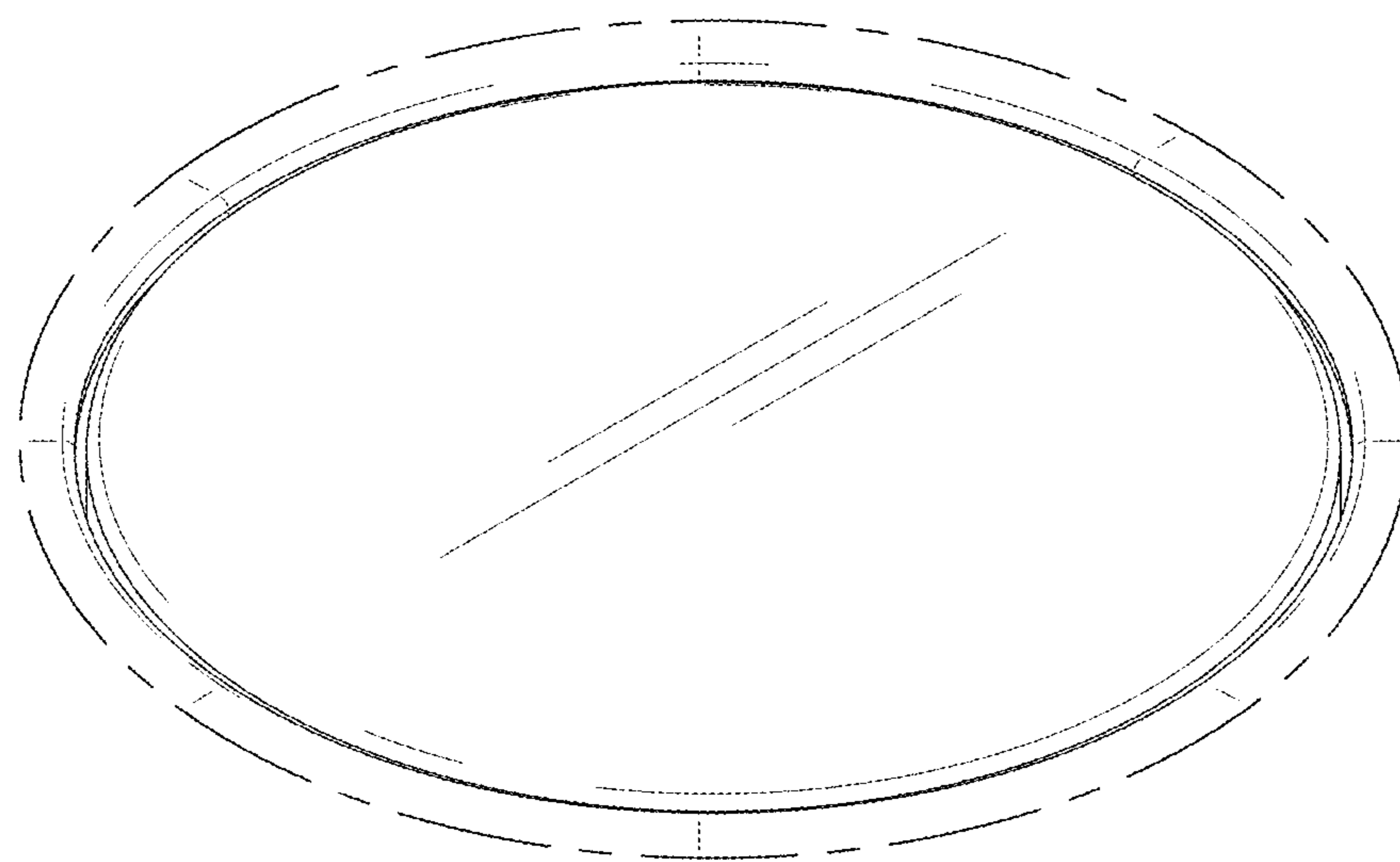




FIG. 23

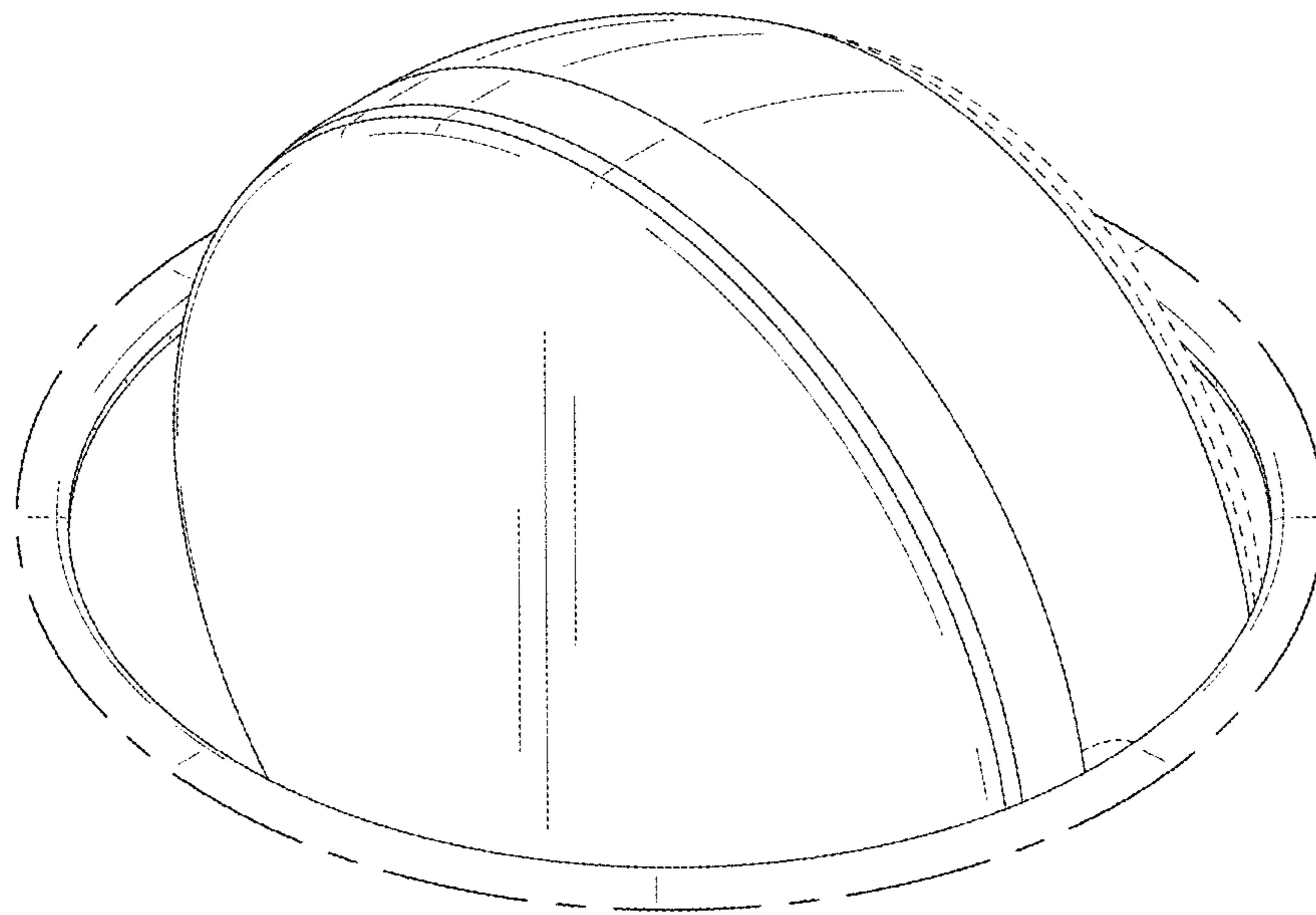


FIG. 24

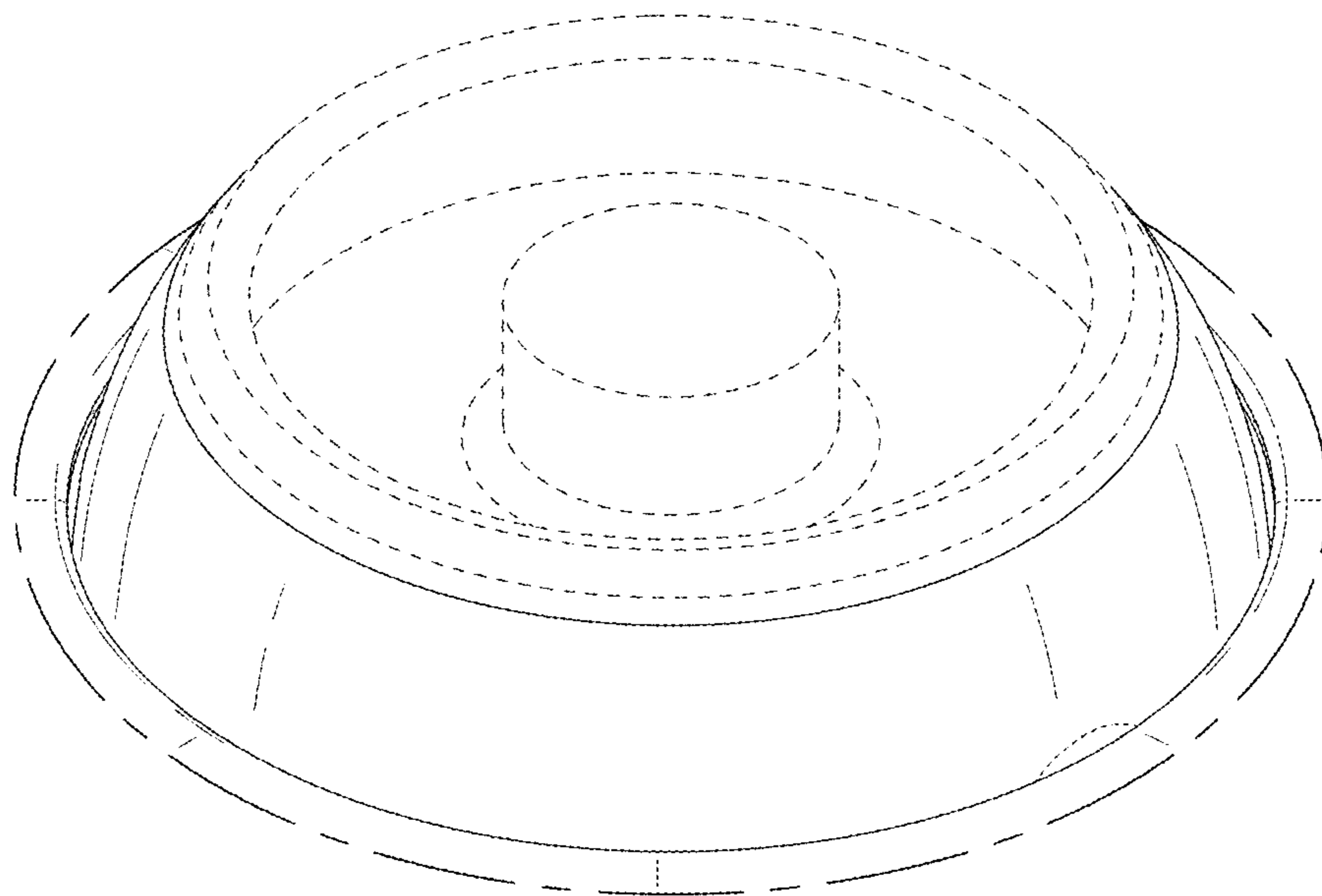


FIG. 25

