



US00D877303S

(12) **United States Design Patent** (10) **Patent No.:** **US D877,303 S**
Meyers et al. (45) **Date of Patent:** **** Mar. 3, 2020**

(54) **COMMODE SEAT**

(71) Applicant: **A.M.G. MEDICAL INC.**, Montreal (CA)

(72) Inventors: **Daniel Meyers**, Roxboro (CA); **Cristian Boar**, Dollard des Ormeaux (CA)

(73) Assignee: **A.M.G. MEDICAL INC.**, Montreal, QC (CA)

(**) Term: **15 Years**

(21) Appl. No.: **29/664,544**

(22) Filed: **Sep. 26, 2018**

(30) **Foreign Application Priority Data**

Sep. 12, 2018 (CA) 183477

(51) **LOC (12) Cl.** **23-02**

(52) **U.S. Cl.**
USPC **D23/311**

(58) **Field of Classification Search**
USPC D23/303, 309-312, 295-296
CPC A47K 13/00; A47K 13/06
See application file for complete search history.

(56) **References Cited**

U.S. PATENT DOCUMENTS

D307,048 S * 4/1990 Spiegel D23/311
D390,931 S * 2/1998 Jackson D23/311
D686,708 S * 7/2013 Khiroya D23/311
9,282,857 B1 * 3/2016 Khiroya A47K 13/005

(Continued)

FOREIGN PATENT DOCUMENTS

CA 6101 2/1924
CA 10774 6/1935

(Continued)

Primary Examiner — Robert A Delehanty

(74) *Attorney, Agent, or Firm* — Anglehart et al.

(57) **CLAIM**

The ornamental design for a commode seat, as shown and described.

DESCRIPTION

FIG. 1 is a front perspective view of a commode seat showing our new design thereof; FIG. 2 is a top view thereof; FIG. 3 is a bottom view thereof; FIG. 4 is a front view thereof; FIG. 5 is a back view thereof; FIG. 6 is a side view of the right side thereof; FIG. 7 is a side view of the left side thereof; and, FIG. 8 is a front-left perspective view thereof positioned on an exemplary commode.

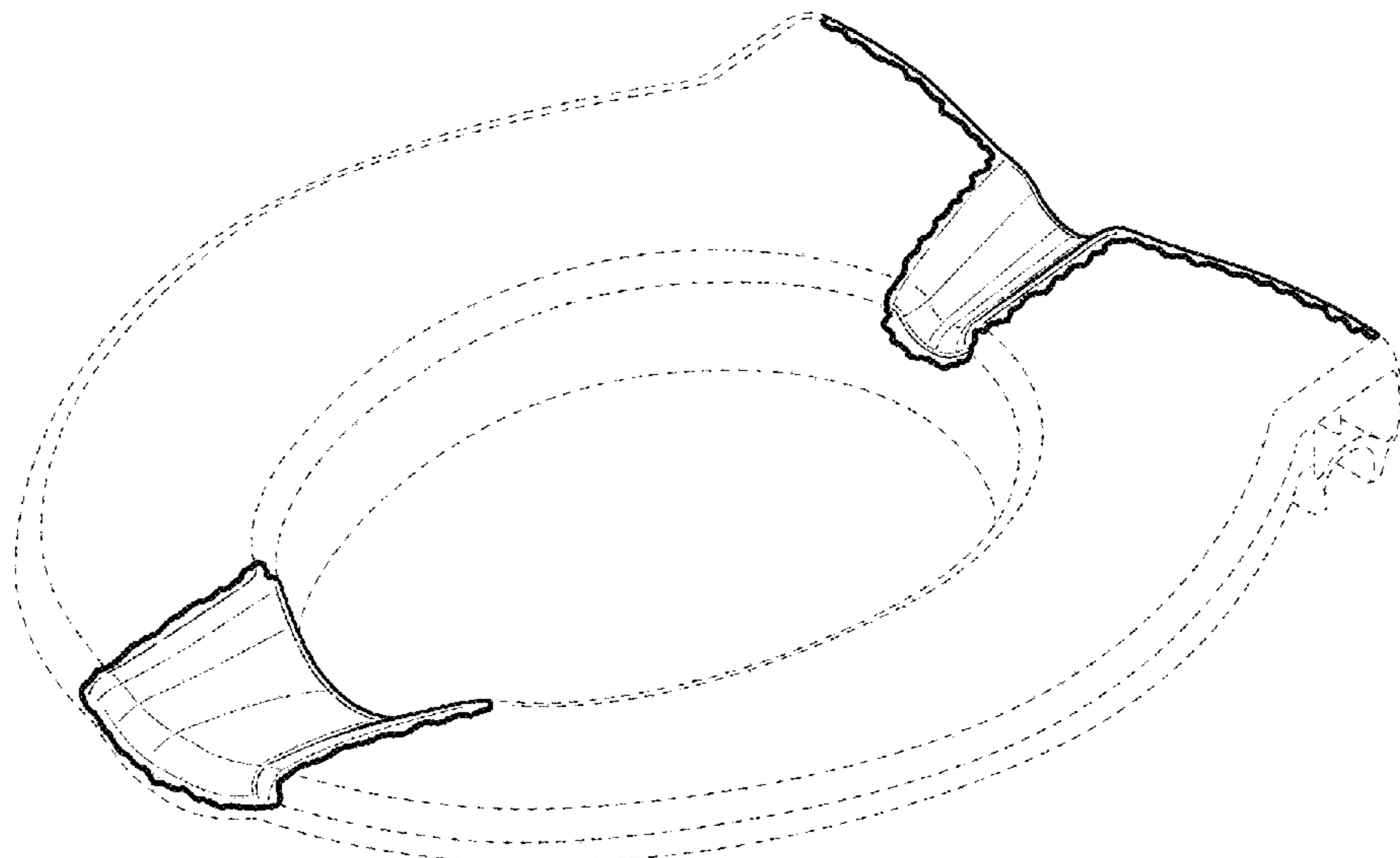
The broken lines and the dotted lines shown in the drawings are directed to environment, are for informational purposes only, and form no part of the claimed design.

The bold, wavy lines do not constitute a feature of the design. They are included for illustrative purposes only in order to define the boundary of the design.

The lines parallel to an axis running from the front of the commode seat to the back of the commode seat and on the back of the commode seat shown in FIG. 5 are included to show curvature of the commode seat.

It is recognized that the inventive aspects of the current design exist in the commode seat as a whole, in all individual portions and elements thereof, and in all combinations of portions and elements thereof. Applicant reserves the right to amend this application and/or to file one or more divisional and/or continuation applications to specifically claim the commode seat as a whole, to specifically claim individual portions or elements thereof, and/or to specifically claim combinations of portions and elements thereof.

1 Claim, 6 Drawing Sheets



(56)

References Cited

U.S. PATENT DOCUMENTS

D755,358 S * 5/2016 Bodman D23/311
 D844,122 S * 3/2019 Kwak D23/311
 D854,668 S * 7/2019 Wipper D23/311

FOREIGN PATENT DOCUMENTS

CA 18142 4/1951
 CA 34269 8/1971
 CA 34270 8/1971
 CA 35359 5/1972
 CA 42281 6/1977
 CA 46105 10/1979
 CA 52563 2/1984
 CA 56439 6/1986
 CA 58422 3/1987
 CA 62838 4/1989
 CA 69908 1/1992
 CA 75988 3/1995
 CA 81268 7/1997
 CA 81285 7/1997
 CA 98328 4/2003

CA 103378 9/2005
 CA 108519 11/2005
 CA 106782 1/2007
 CA 116520 8/2007
 CA 116521 8/2007
 CA 121289 8/2007
 CA 121290 8/2007
 CA 117702 10/2007
 CA 121412 10/2007
 CA 121413 10/2007
 CA 119742 8/2008
 CA 124559 9/2008
 CA 124561 9/2008
 CA 122197 12/2008
 CA 128600 10/2009
 CA 122852 1/2010
 CA 126379 1/2010
 CA 133755 8/2010
 CA 144122 8/2012
 CA 147185 6/2013
 CA 148396 10/2013
 CA 151952 4/2014
 CA 160369 8/2015

* cited by examiner

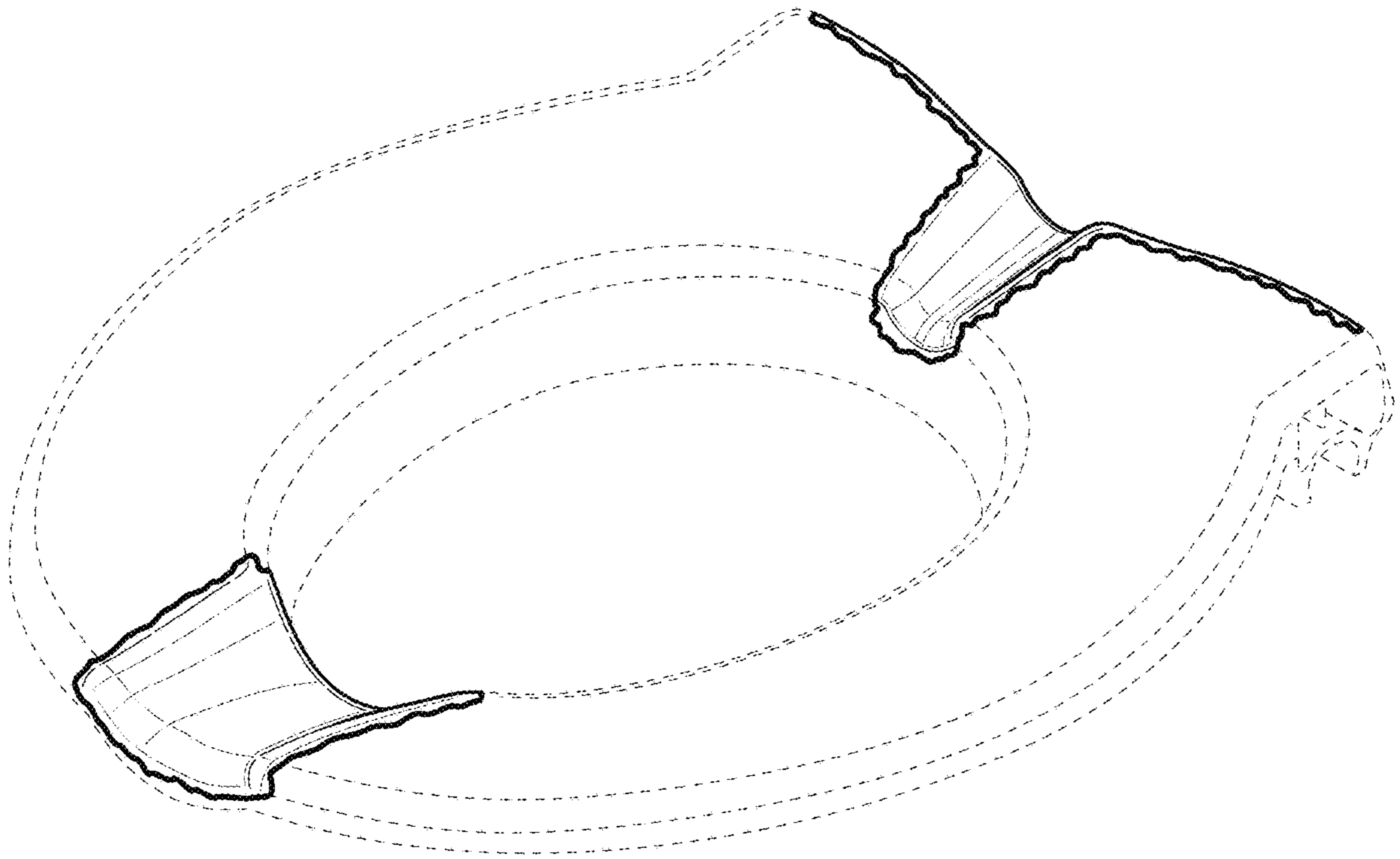


FIG. 1

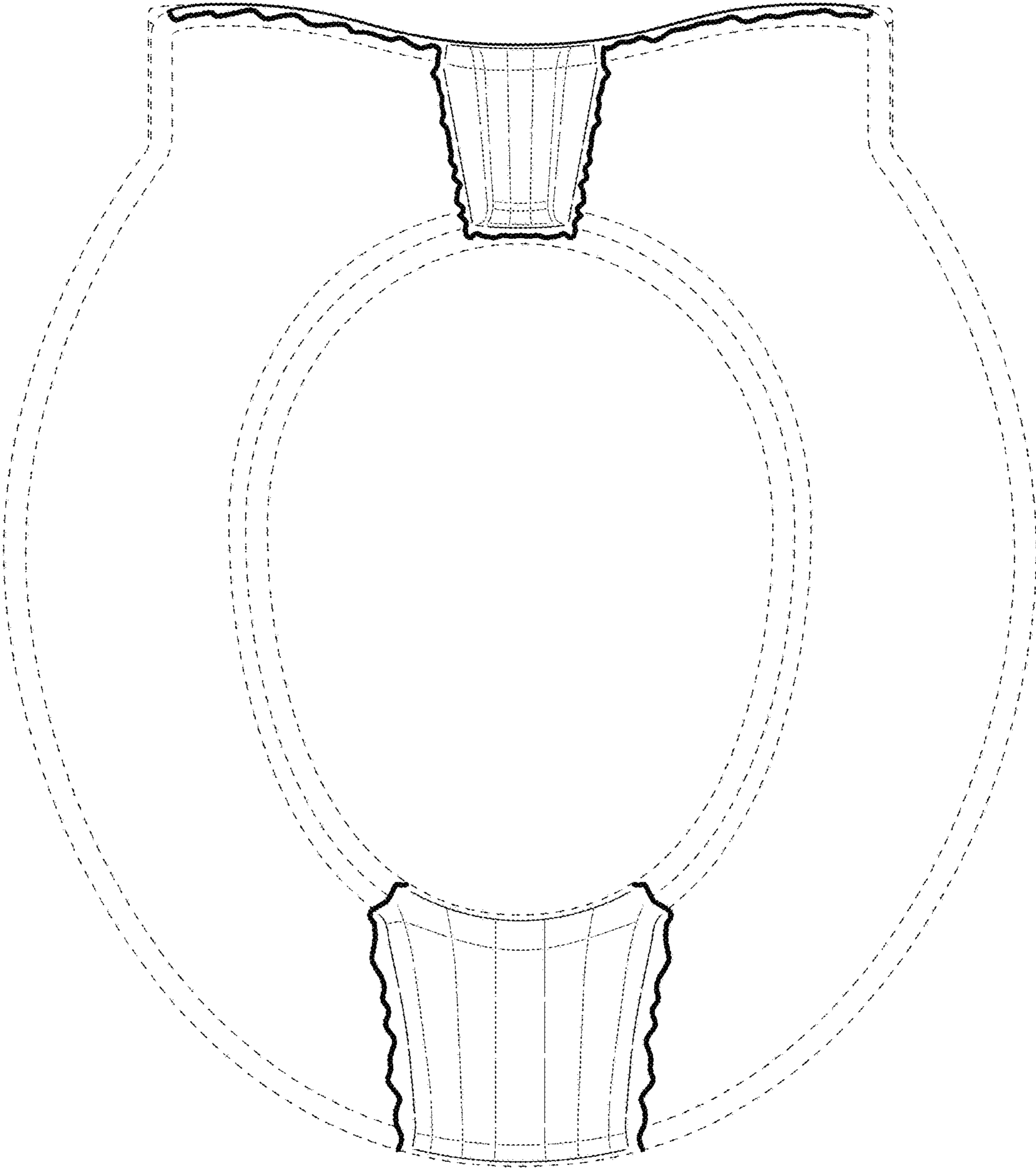


FIG. 2

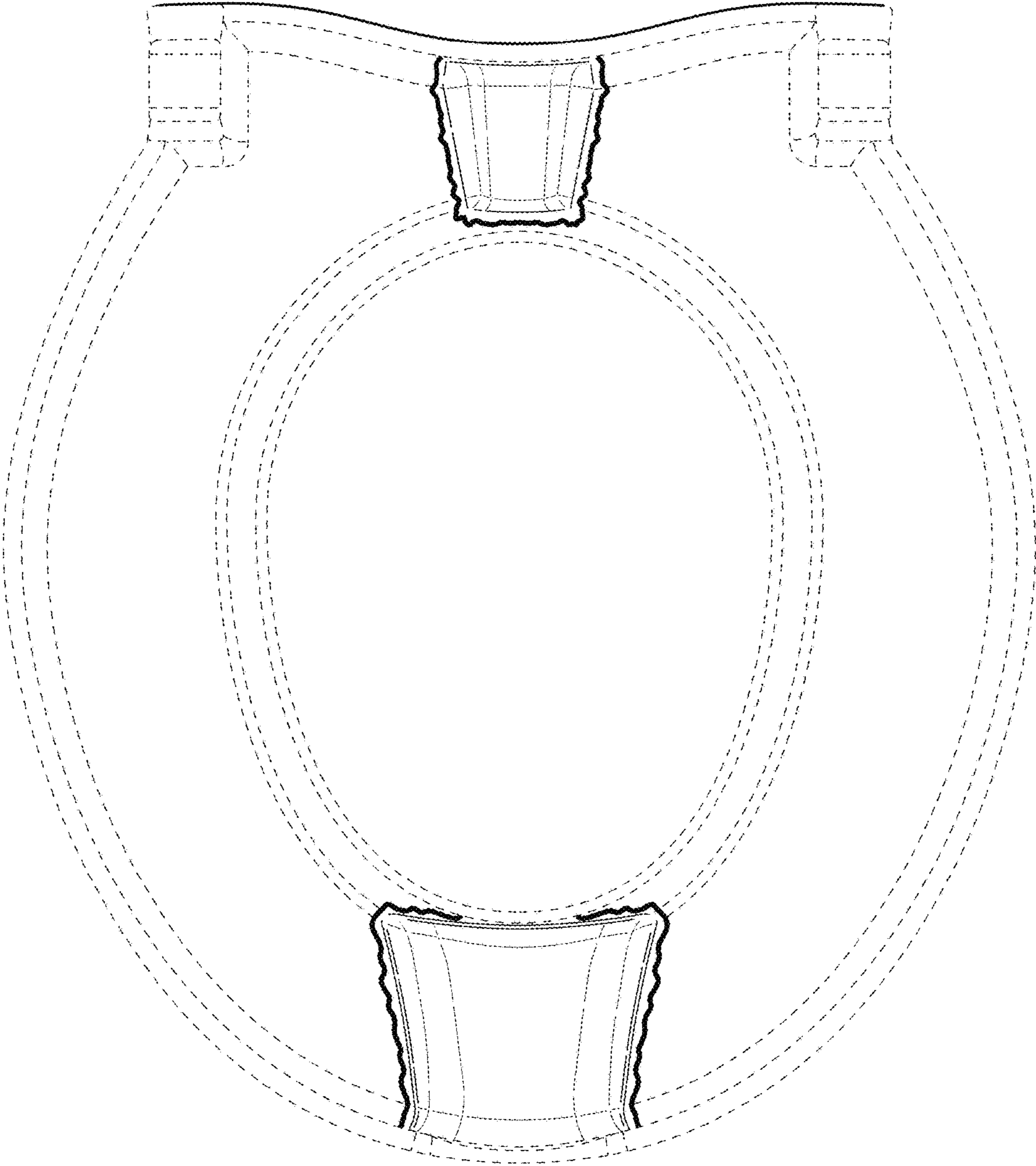


FIG. 3

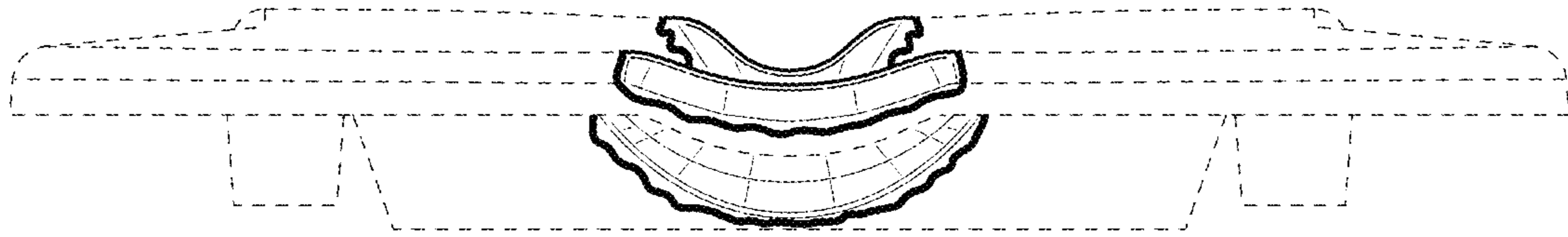


FIG. 4

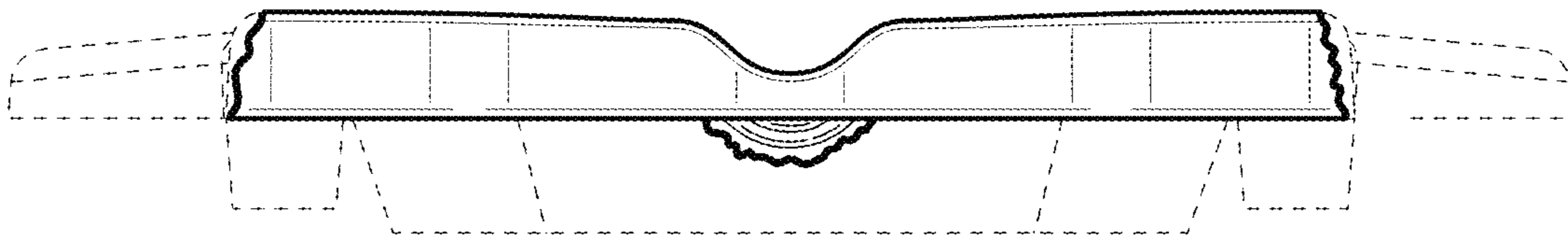


FIG. 5

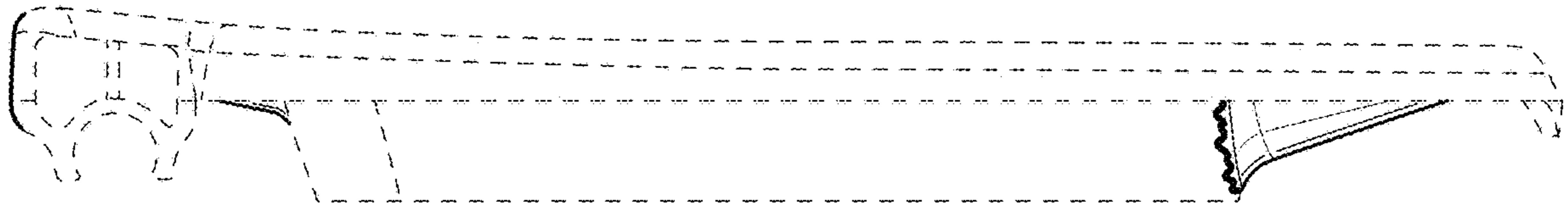


FIG. 6

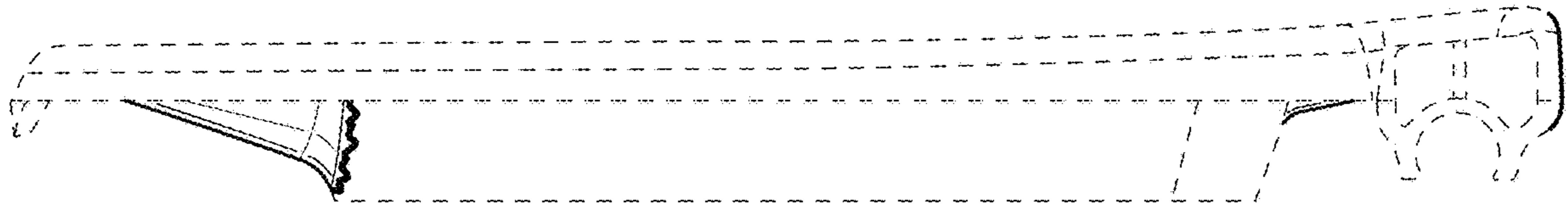


FIG. 7

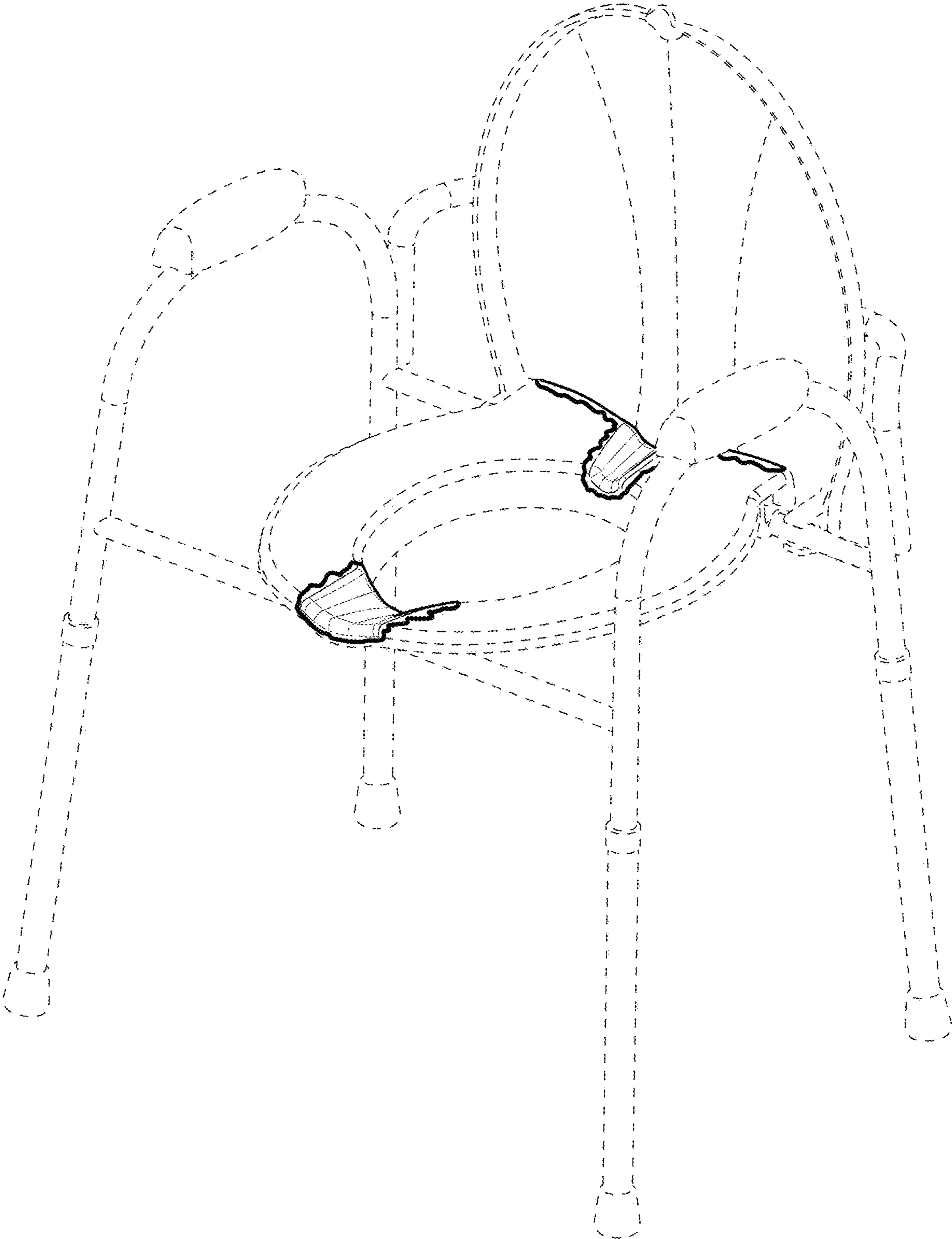


FIG. 8