



US00D877301S

(12) **United States Design Patent** (10) **Patent No.:** **US D877,301 S**
Stewart (45) **Date of Patent:** **** Mar. 3, 2020**

(54) **TOILET BOWL INSERT**
(71) Applicant: **Lora Stewart**, Los Angeles, CA (US)
(72) Inventor: **Lora Stewart**, Los Angeles, CA (US)
(**) Term: **15 Years**
(21) Appl. No.: **29/648,395**
(22) Filed: **May 21, 2018**
(51) **LOC (12) Cl.** **23-01**
(52) **U.S. Cl.**
USPC **D23/261**; D6/583
(58) **Field of Classification Search**
USPC D23/208, 259–261; D6/582–587, 592,
D6/594, 622; D12/203; D32/55–59
CPC A47K 3/02; A47K 3/002; A47K 17/00;
E03D 11/00; E03D 13/005; E03D 9/00;
F16L 25/14; F16L 19/005; F16L 55/115;
F16L 55/1152; F16L 27/04; F16L 27/073;
F16L 37/54
See application file for complete search history.

D824,496 S * 7/2018 D'Amico D23/261
D838,818 S * 1/2019 Malesky D23/261
D841,359 S * 2/2019 Crevier D6/583
D846,306 S * 4/2019 Bellot D6/592
D863,819 S * 10/2019 Ghiorghie D6/585
2004/0093663 A1 5/2004 Zhu
2007/0039089 A1 2/2007 Worrel
2009/0158514 A1 6/2009 Doctors
2009/0255053 A1* 10/2009 Cutrone, III A47K 17/00
4/661
2011/0067171 A1 3/2011 Kouadio
2014/0007336 A1* 1/2014 Mills E03D 13/005
4/300.3
2016/0215490 A1* 7/2016 Keune E03D 13/005
(Continued)

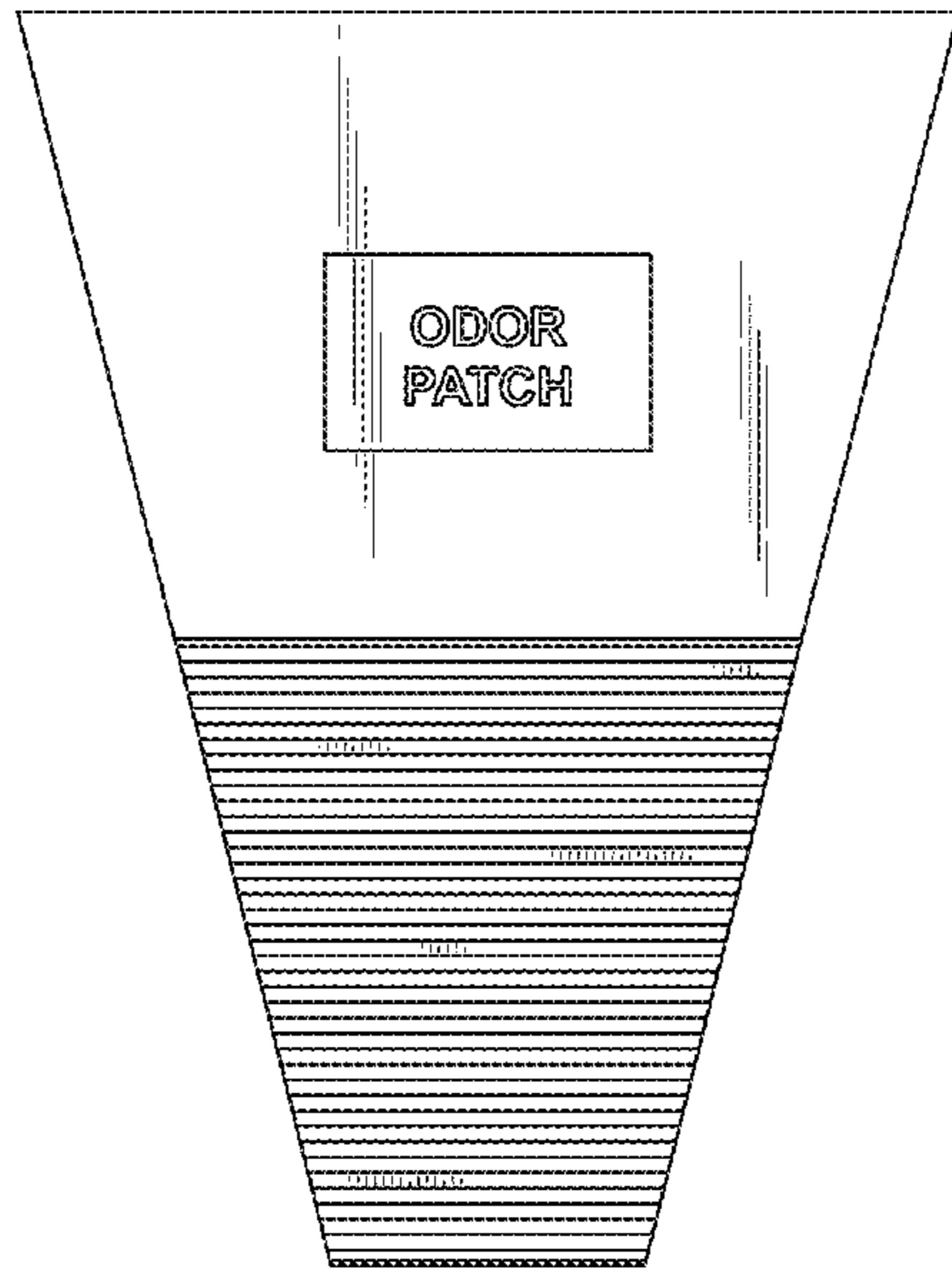
(56) **References Cited**
U.S. PATENT DOCUMENTS
D341,414 S 11/1993 Baker
5,313,672 A * 5/1994 Luedtke E03D 9/00
4/144.1
5,809,590 A * 9/1998 Williams A47K 11/12
4/300.3
D456,492 S * 4/2002 Lourens D23/261
D464,122 S * 10/2002 Mangan D23/261
D497,277 S * 10/2004 Ruhl D6/582
D625,540 S * 10/2010 Dukes D6/583
D630,714 S * 1/2011 Dukes D23/260
8,112,828 B1 2/2012 Varela, III
D753,414 S * 4/2016 Cofer D6/583
D759,792 S * 6/2016 Flury D23/261
9,487,939 B1 11/2016 Cook
D810,518 S * 2/2018 Miller D7/667
D821,594 S * 6/2018 Davidson D24/200

OTHER PUBLICATIONS
<https://www.amazon.com/Splash-Hog-Urinal-Screen-Freshener/dp/>
(Year: 2019).*
Primary Examiner — Manpreet S Matharu
Assistant Examiner — Keith J Wilson

(57) **CLAIM**
The ornamental design for a toilet bowl insert, as shown and described.

DESCRIPTION
FIG. 1 is a front view of a toilet bowl insert showing my new design;
FIG. 2 is a rear view of the toilet bowl insert;
FIG. 3 is a right side view of the toilet bowl insert;
FIG. 4 is a left side view of the toilet bowl insert;
FIG. 5 is a top view of the toilet bowl insert;
FIG. 6 is a bottom view of the toilet bowl insert; and,
FIG. 7 is a top front side perspective view of the toilet bowl insert in use.
The broken lines in FIG. 7 illustrate environmental structure that forms no part of the claim.

1 Claim, 3 Drawing Sheets



(56)

References Cited

U.S. PATENT DOCUMENTS

2019/0145088 A1* 5/2019 Keune E03D 9/005
4/222.1

* cited by examiner

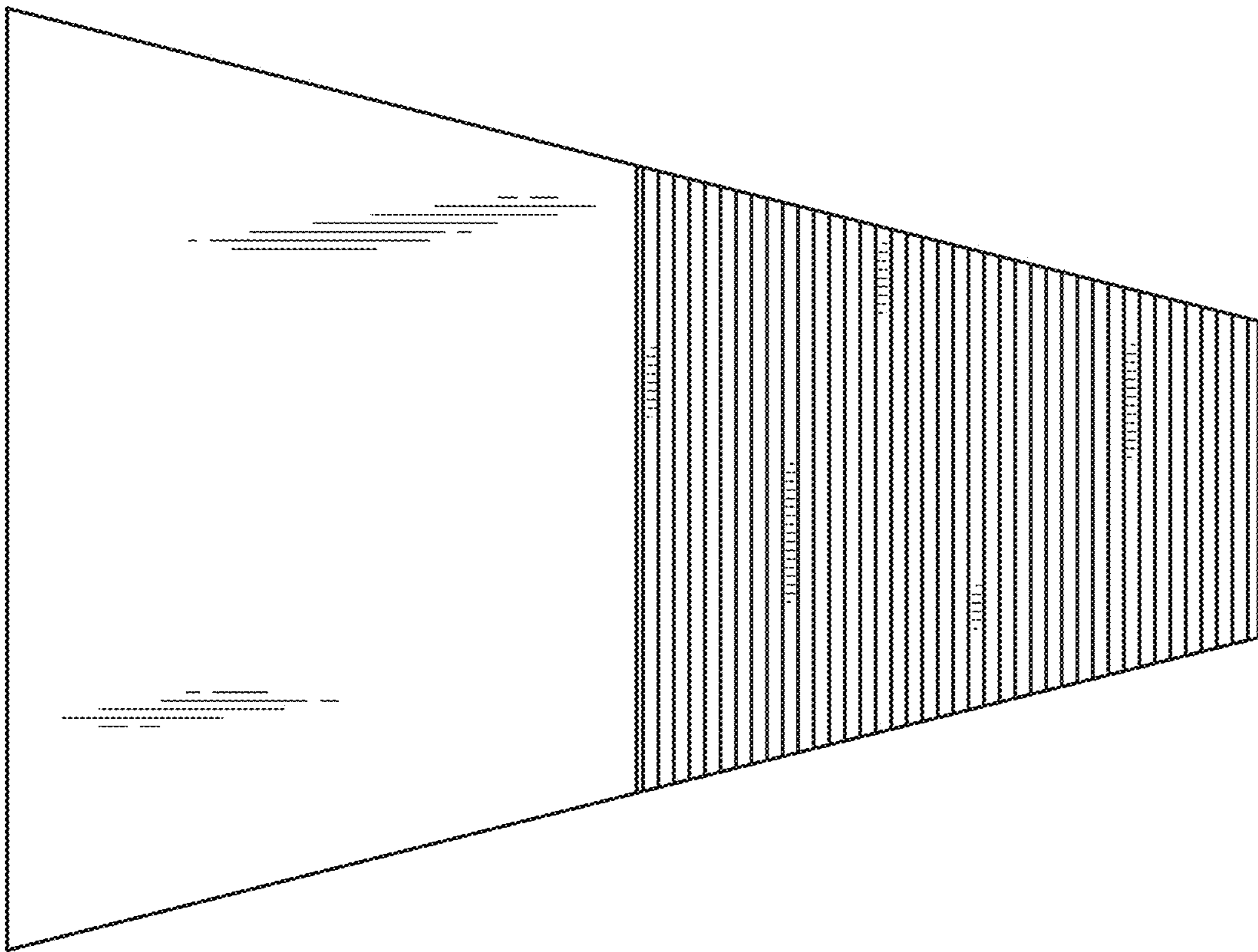


FIG. 2

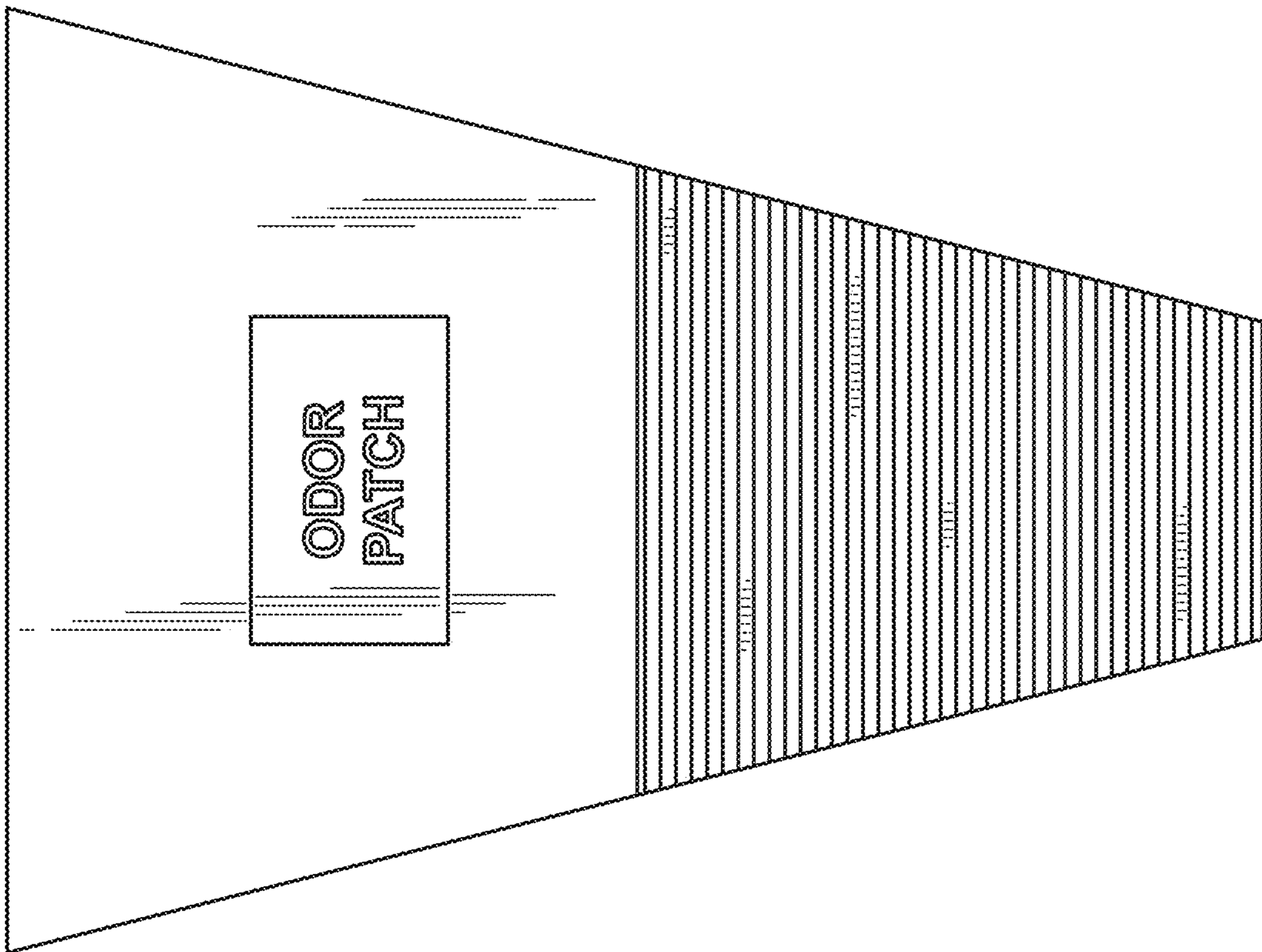


FIG. 1



FIG. 3



FIG. 4

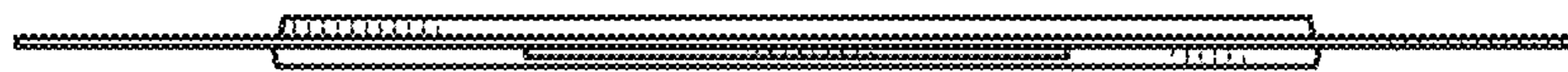


FIG. 5

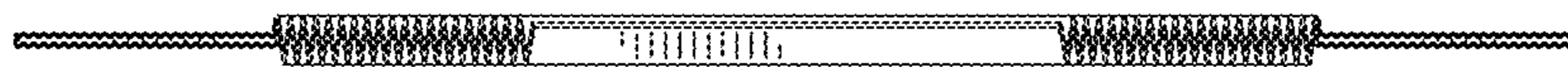


FIG. 6

FIG. 7

