



US00D877300S

(12) **United States Design Patent**  
**Tentler**

(10) **Patent No.:** **US D877,300 S**

(45) **Date of Patent:** **\*\* Mar. 3, 2020**

(54) **FAUCET HANDLE**

(71) Applicant: **DELTA FAUCET COMPANY,**  
Indianapolis, IN (US)

(72) Inventor: **Anthony Joseph Tentler,** Windfall, IN  
(US)

(73) Assignee: **DELTA FAUCET COMPANY,**  
Indianapolis, IN (US)

(\*\*) Term: **15 Years**

(21) Appl. No.: **29/638,208**

(22) Filed: **Feb. 26, 2018**

(51) **LOC (12) Cl.** ..... **23-01**

(52) **U.S. Cl.**  
USPC ..... **D23/252**

(58) **Field of Classification Search**  
USPC ..... D23/238–243, 249, 250, 252, 254  
CPC ..... E03C 1/0409  
See application file for complete search history.

(56) **References Cited**

**U.S. PATENT DOCUMENTS**

D583,021 S \* 12/2008 Downey ..... D23/252  
D693,907 S \* 11/2013 Mendoza ..... D23/238

D786,405 S \* 5/2017 Schaubach ..... D23/238  
D786,407 S \* 5/2017 Clarke ..... D23/252  
D793,538 S \* 8/2017 Fritz ..... D23/252  
D839,996 S \* 2/2019 Garland ..... D23/252

\* cited by examiner

*Primary Examiner* — Robert A Delehanty

(74) *Attorney, Agent, or Firm* — Edgar A. Zarins; Nirav  
D. Parikh

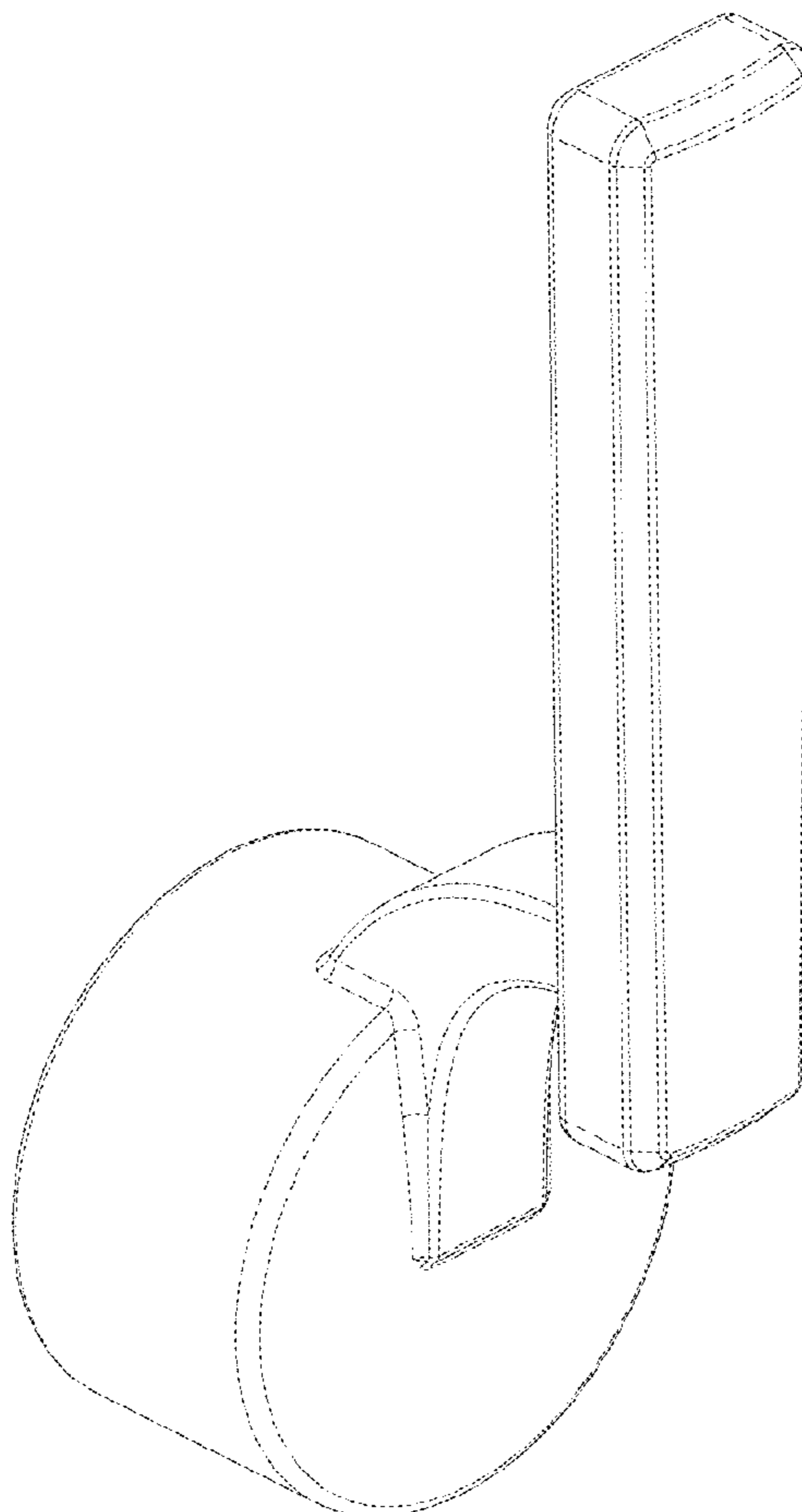
(57) **CLAIM**

The ornamental design for a faucet handle, as shown and  
described.

**DESCRIPTION**

FIG. 1 is a first perspective view of a faucet handle showing  
my new design;  
FIG. 2 is a second perspective view thereof;  
FIG. 3 is a front elevational view thereof;  
FIG. 4 is a first side view thereof;  
FIG. 5 is a rear view thereof;  
FIG. 6 is a second side view thereof;  
FIG. 7 is a top end view thereof; and,  
FIG. 8 is a bottom end view thereof.  
Portions of the article shown in phantom lines form no  
portion of the claimed design.

**1 Claim, 4 Drawing Sheets**



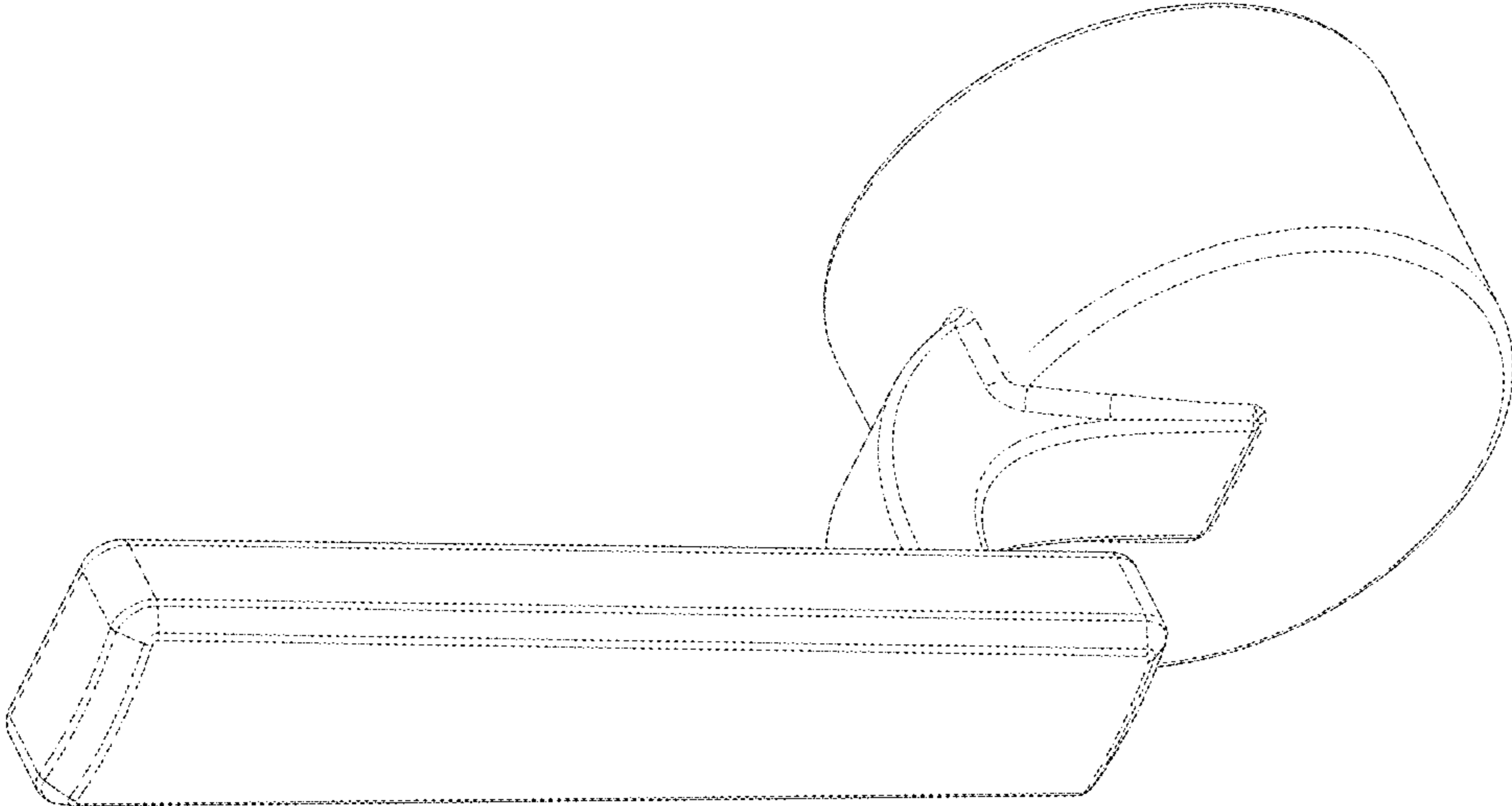


FIG - 2

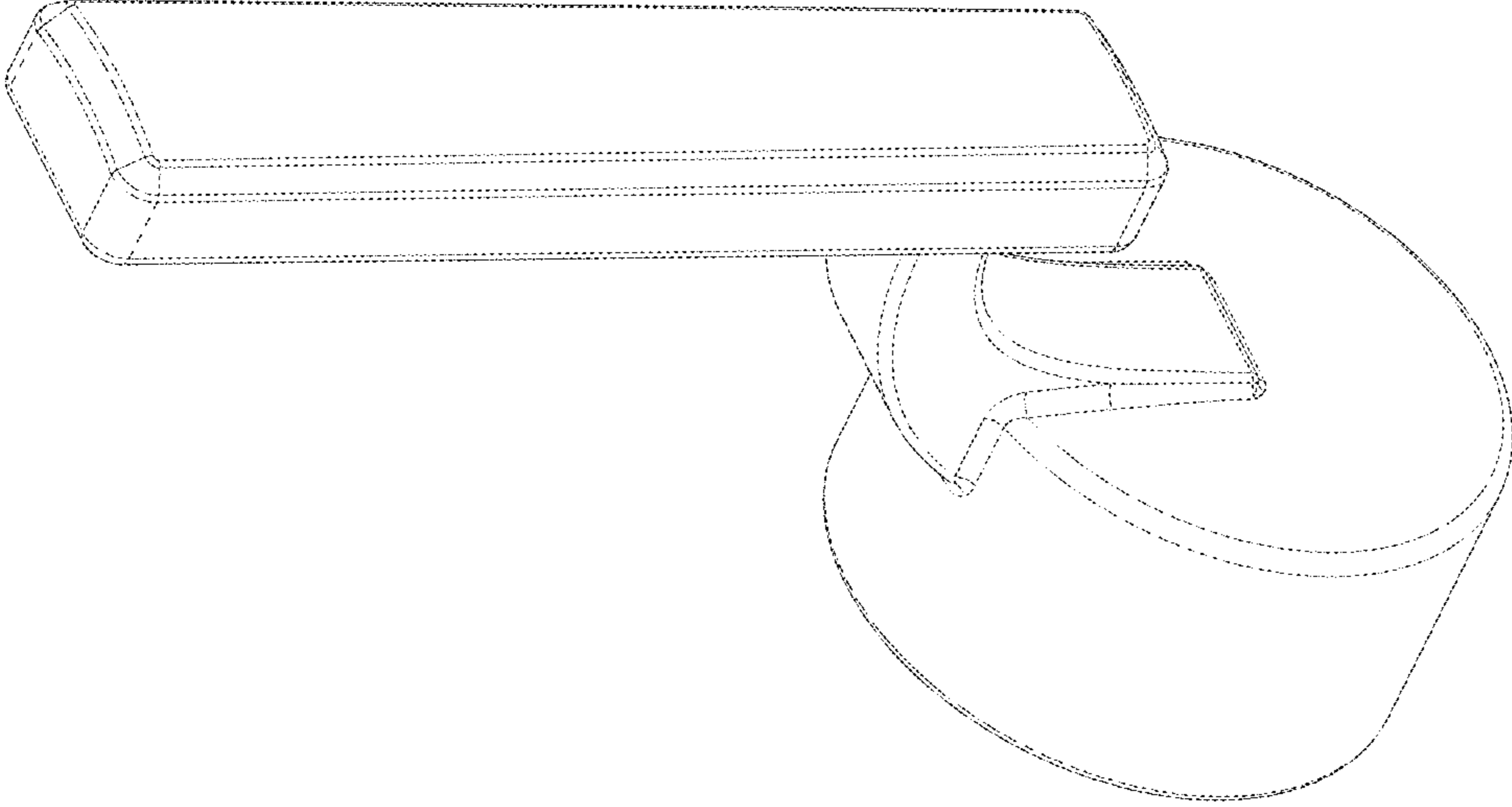


FIG - 1

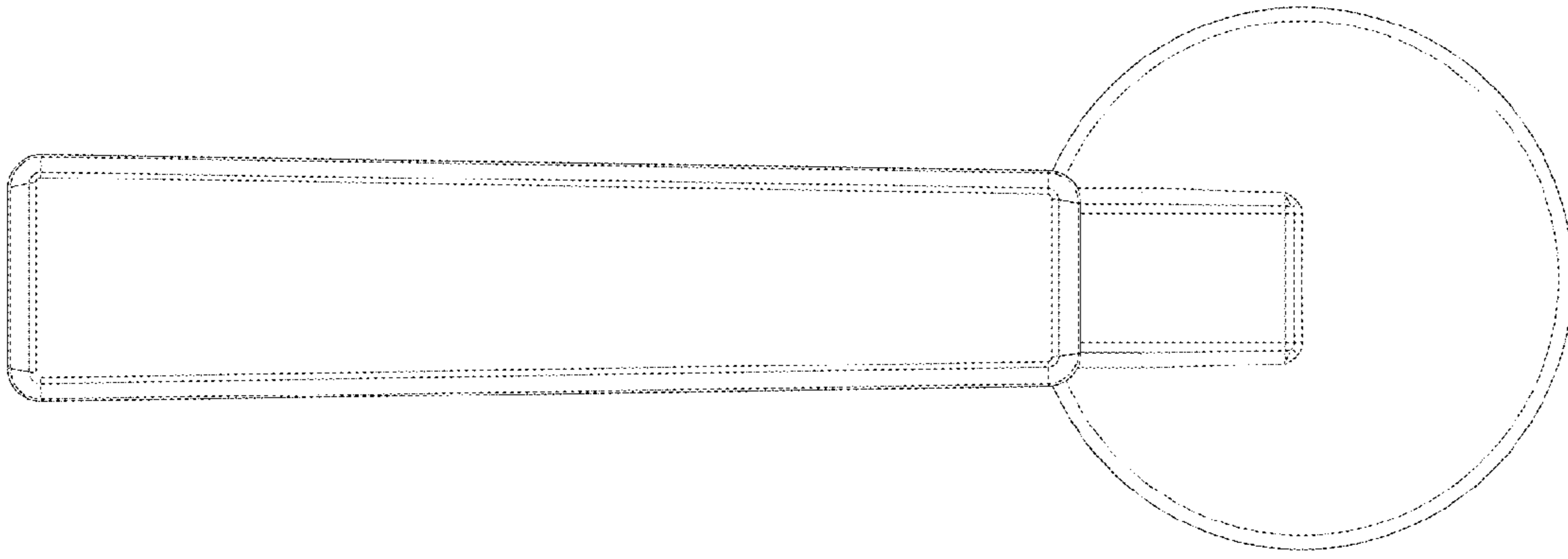


FIG - 4

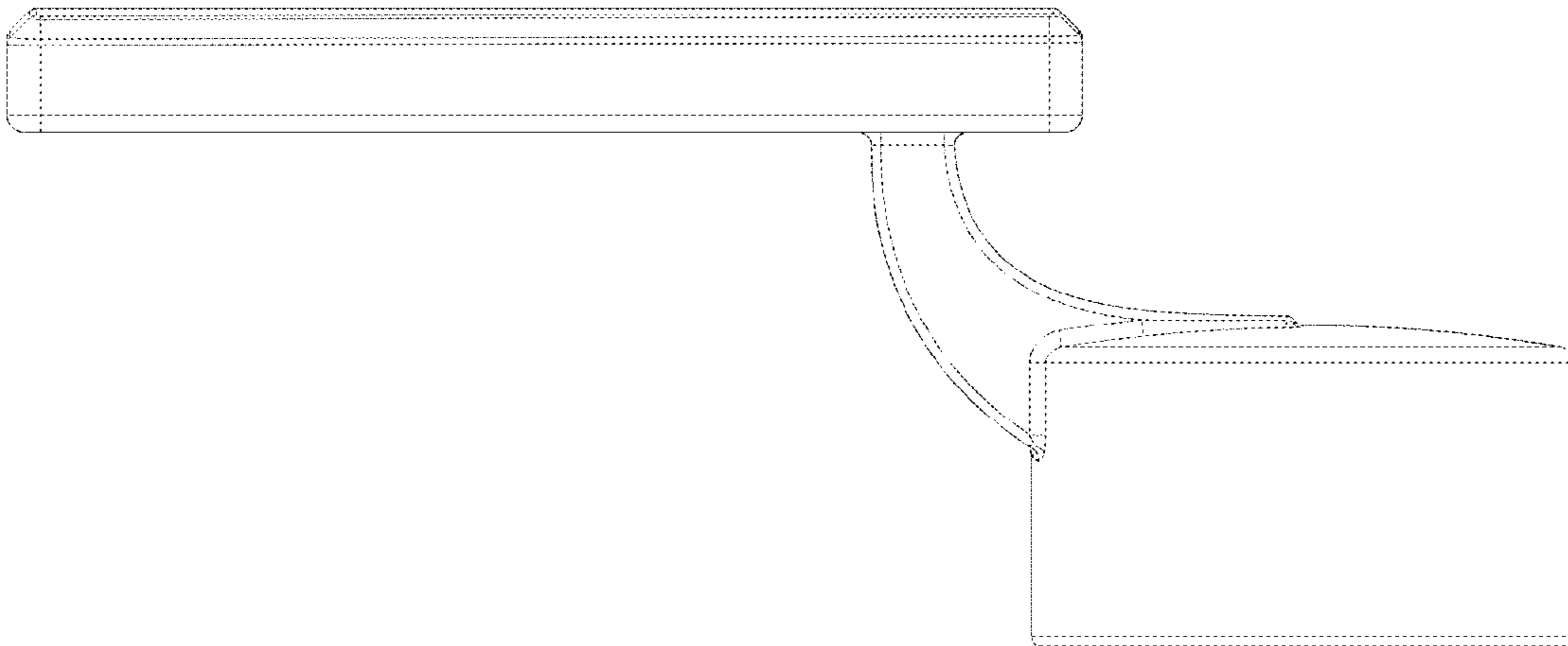


FIG - 3

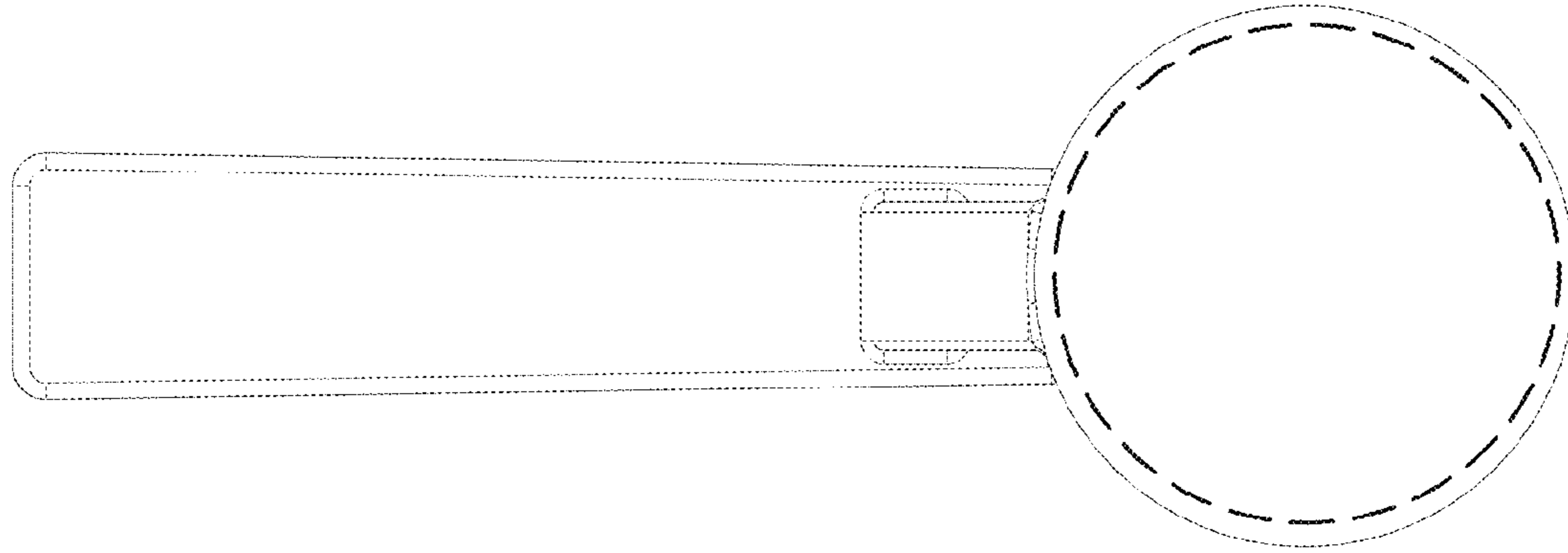


FIG - 6

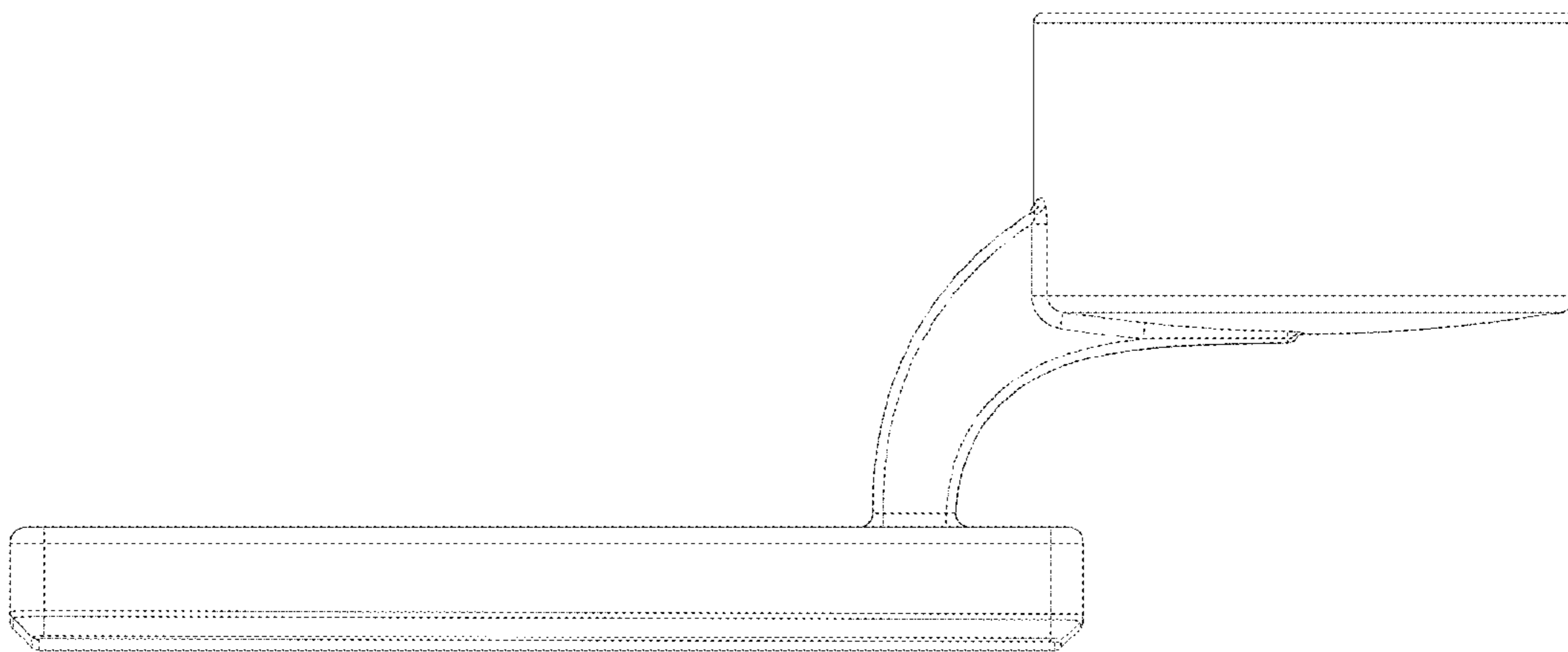


FIG - 5

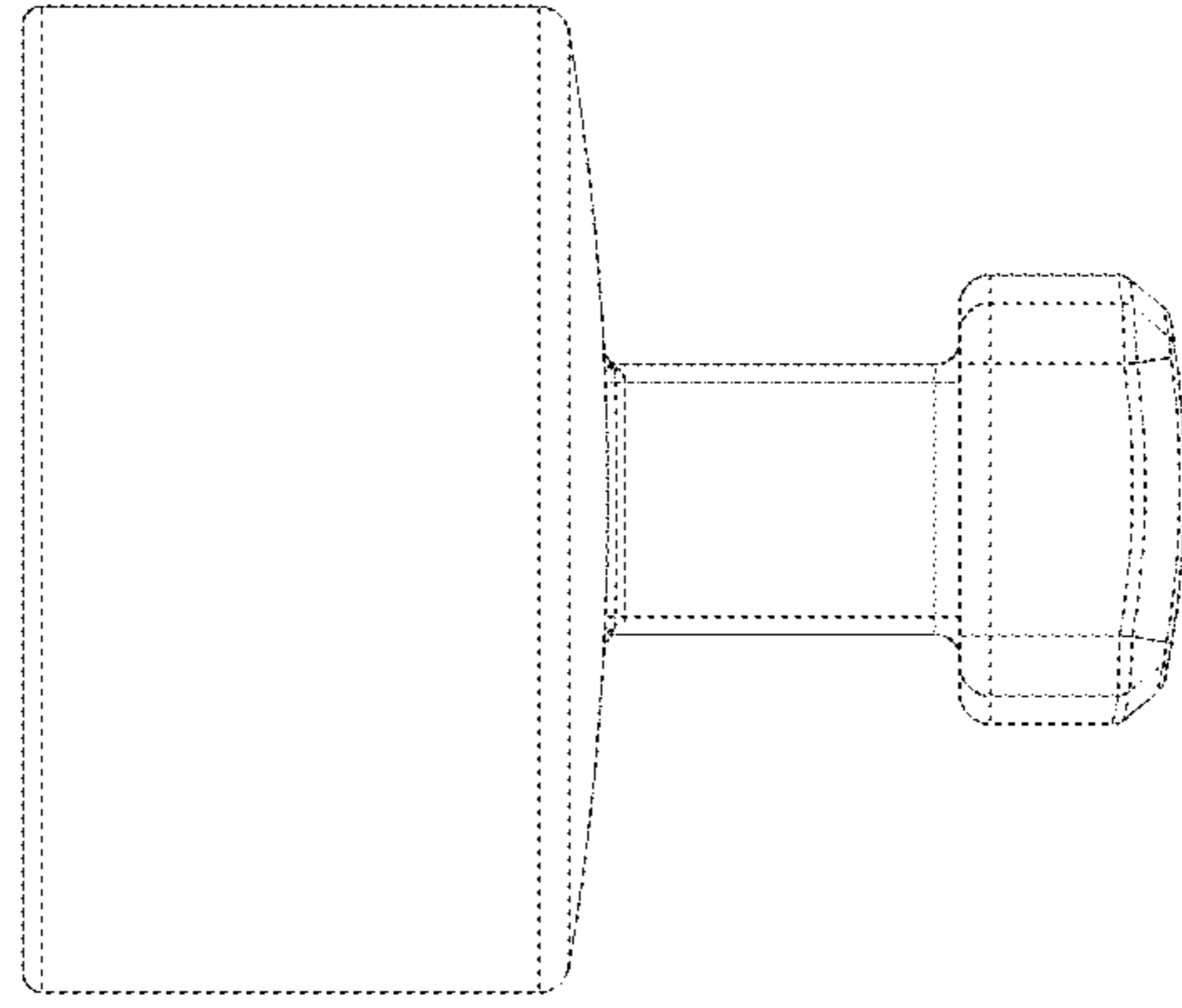


FIG - 8

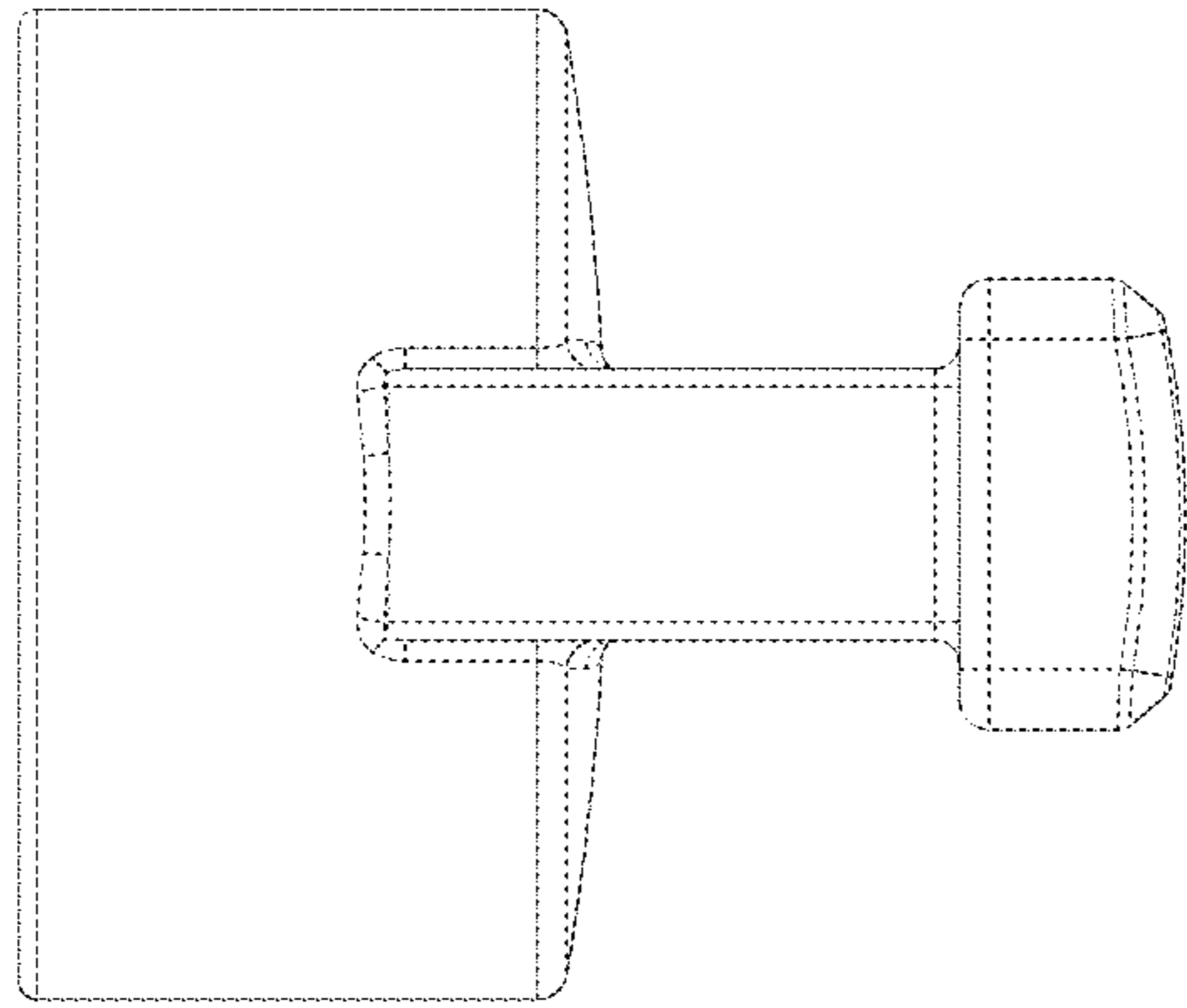


FIG - 7