



US00D877299S

(12) **United States Design Patent** (10) **Patent No.:** **US D877,299 S**
Soulier et al. (45) **Date of Patent:** **** Mar. 3, 2020**

(54) **SHOWER CONTROLLER**
(71) Applicant: **Kohler Co.**, Kohler, WI (US)
(72) Inventors: **Jean-Hugues Soulier**, Paris (FR);
Ferran Serra Sola, Paris (FR)
(73) Assignee: **KOHLER CO.**, Kohler, WI (US)
(**) Term: **15 Years**
(21) Appl. No.: **29/638,381**
(22) Filed: **Feb. 27, 2018**
(51) **LOC (12) Cl.** **23-01**
(52) **U.S. Cl.**
USPC **D23/250**
(58) **Field of Classification Search**
USPC D23/238-241, 252-254, 249-250;
D8/307-308
CPC Y10T 137/9464; Y10T 137/6014; Y10T
137/6017
See application file for complete search history.

(56) **References Cited**
U.S. PATENT DOCUMENTS
D318,320 S * 7/1991 Zerlia D23/241
D347,264 S * 5/1994 Gottwald D23/238
D353,187 S 12/1994 Formgren
D353,651 S 12/1994 Formgren
D435,919 S * 1/2001 Meda D23/238
D479,580 S * 9/2003 Haug D23/238
D584,799 S * 1/2009 Zetsche D23/238

D596,718 S 7/2009 Soulier
D617,877 S * 6/2010 Bouroullec D23/238
D647,176 S * 10/2011 Liao D23/238
D647,599 S * 10/2011 Liao D23/238
D677,364 S * 3/2013 Schoenherr D23/238
D677,365 S * 3/2013 Schoenherr D23/238
D819,184 S * 5/2018 Seum D23/254
D833,579 S * 11/2018 Flowers D23/250
D867,545 S * 11/2019 Chung D23/249

* cited by examiner

Primary Examiner — Robert A Delehanty
(74) *Attorney, Agent, or Firm* — Foley & Lardner LLP

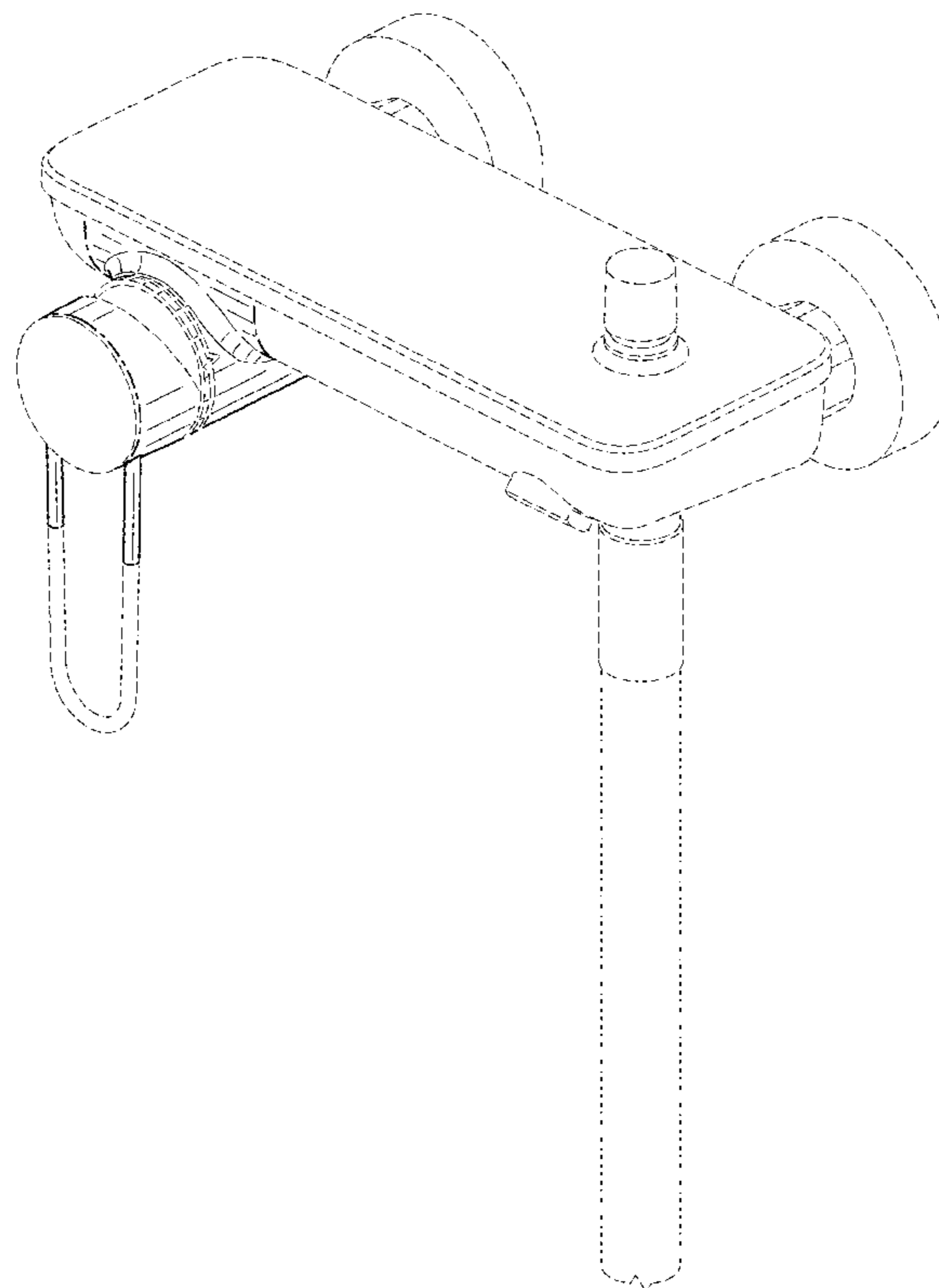
(57) **CLAIM**

We claim the ornamental design for a shower controller, as shown and described.

DESCRIPTION

FIG. 1 is a perspective view of an embodiment of the claimed design;
FIG. 2 is a front view of the embodiment of FIG. 1;
FIG. 3 is a rear view of the embodiment of FIG. 1;
FIG. 4 is a side view of the embodiment of FIG. 1;
FIG. 5 is another side view of the embodiment of FIG. 1;
FIG. 6 is a top view of the embodiment of FIG. 1; and,
FIG. 7 is a bottom view of the embodiment of FIG. 1.
The ornamental design which is claimed is shown in solid lines in the drawings. The broken lines in the drawings are for illustrative purposes only and form no part of the claimed design. Broken lines formed of unequal length dashes (i.e., dash-dot) define bounds of the claimed design.

1 Claim, 7 Drawing Sheets



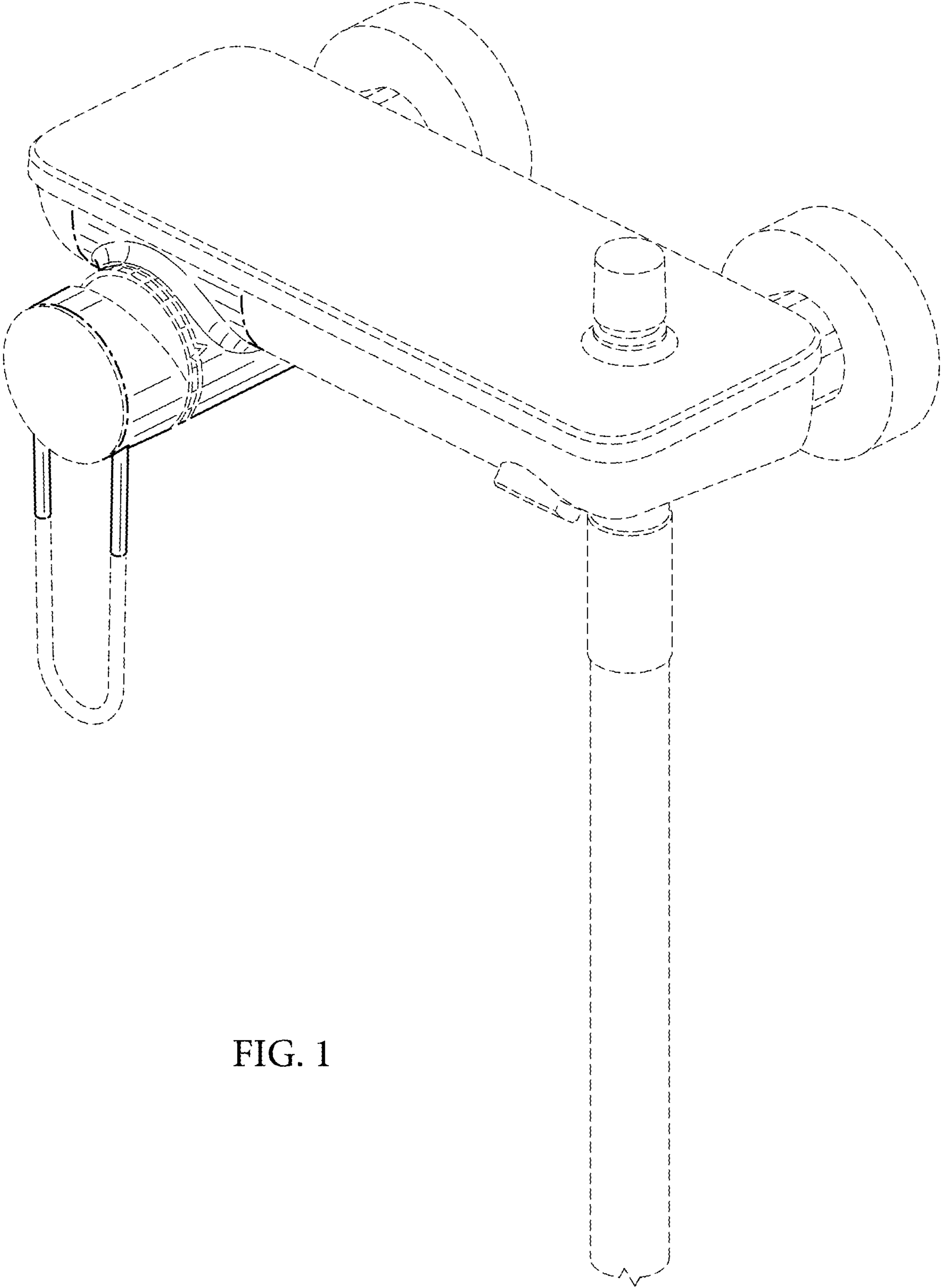
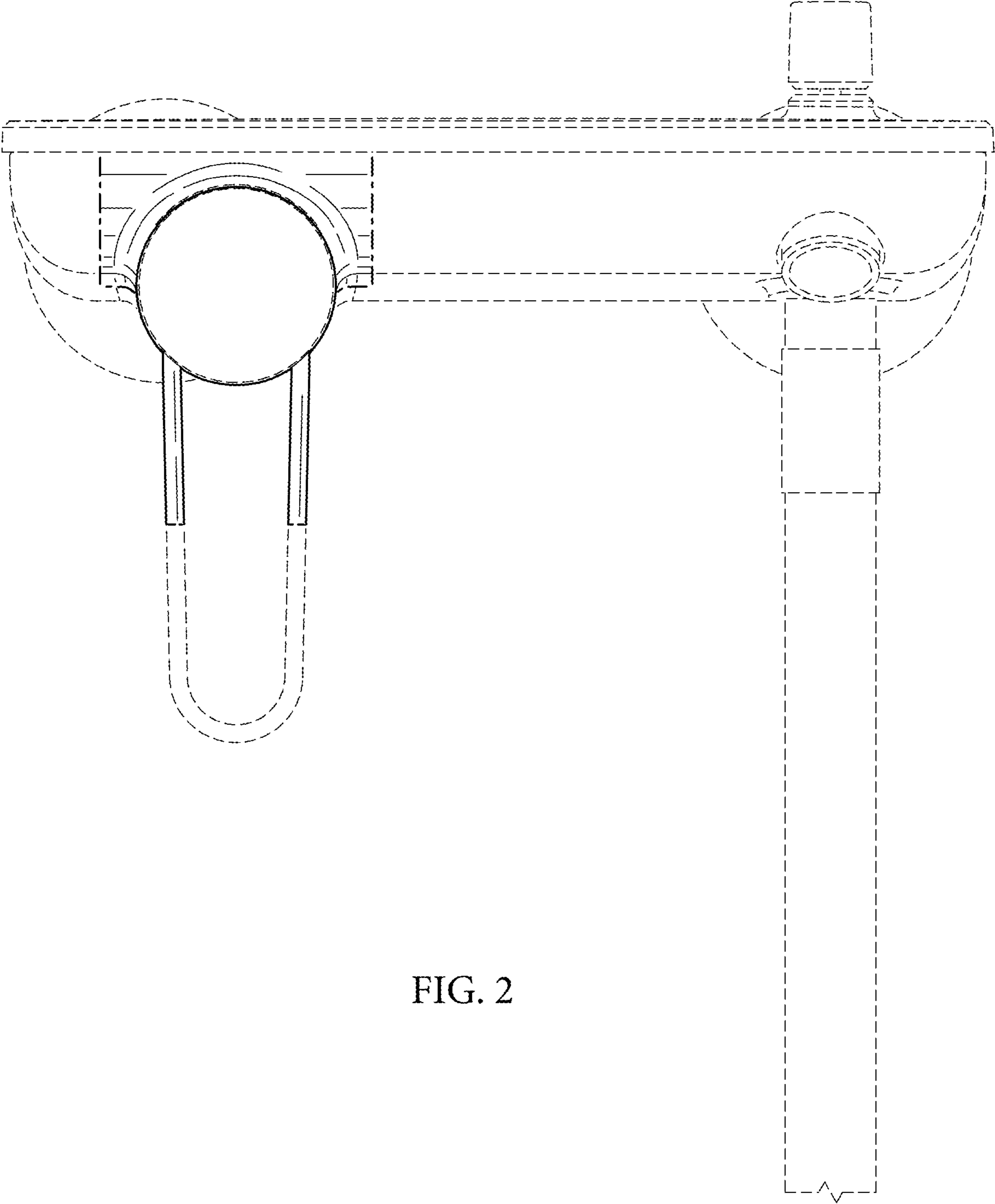


FIG. 1



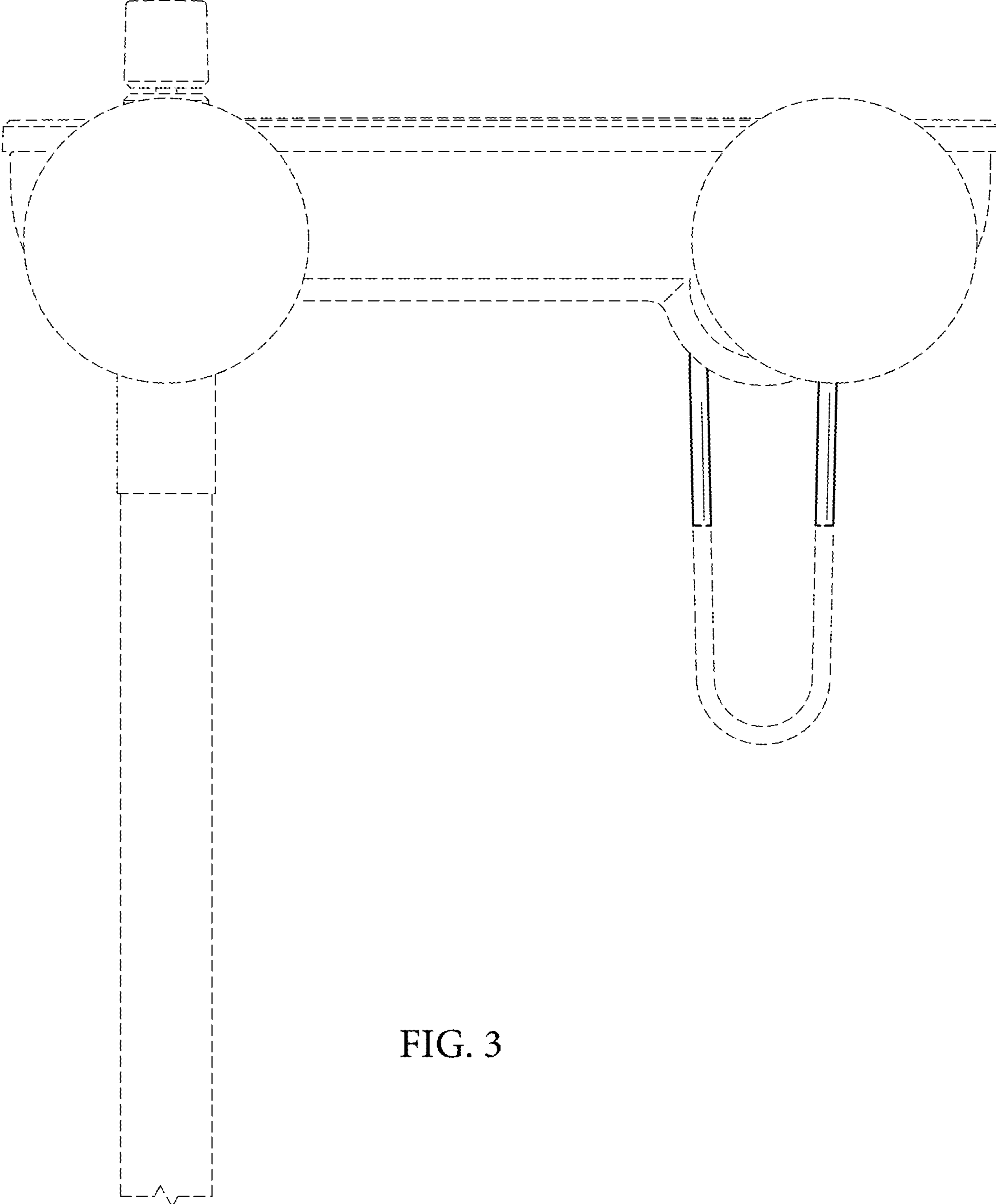


FIG. 3

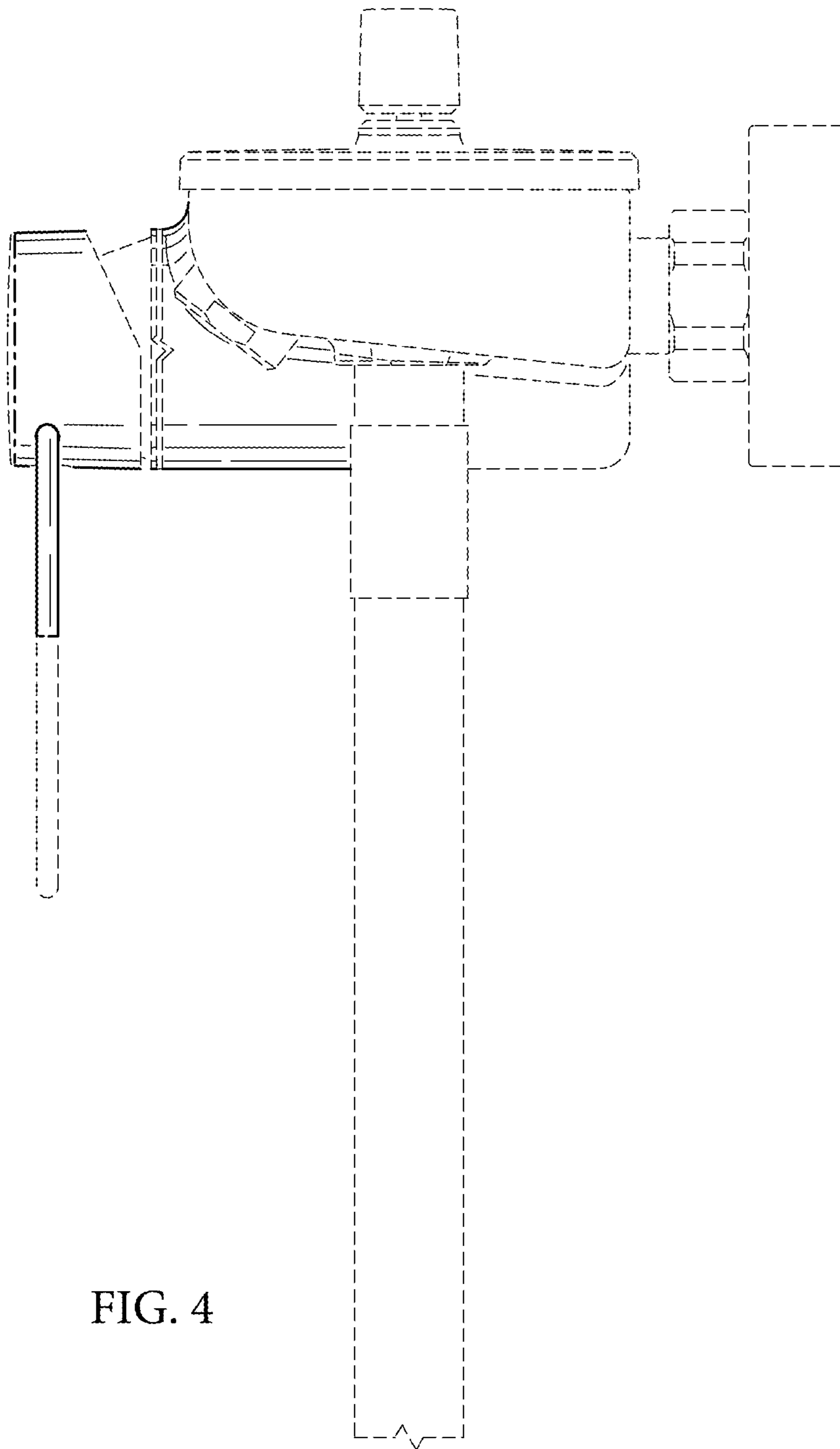
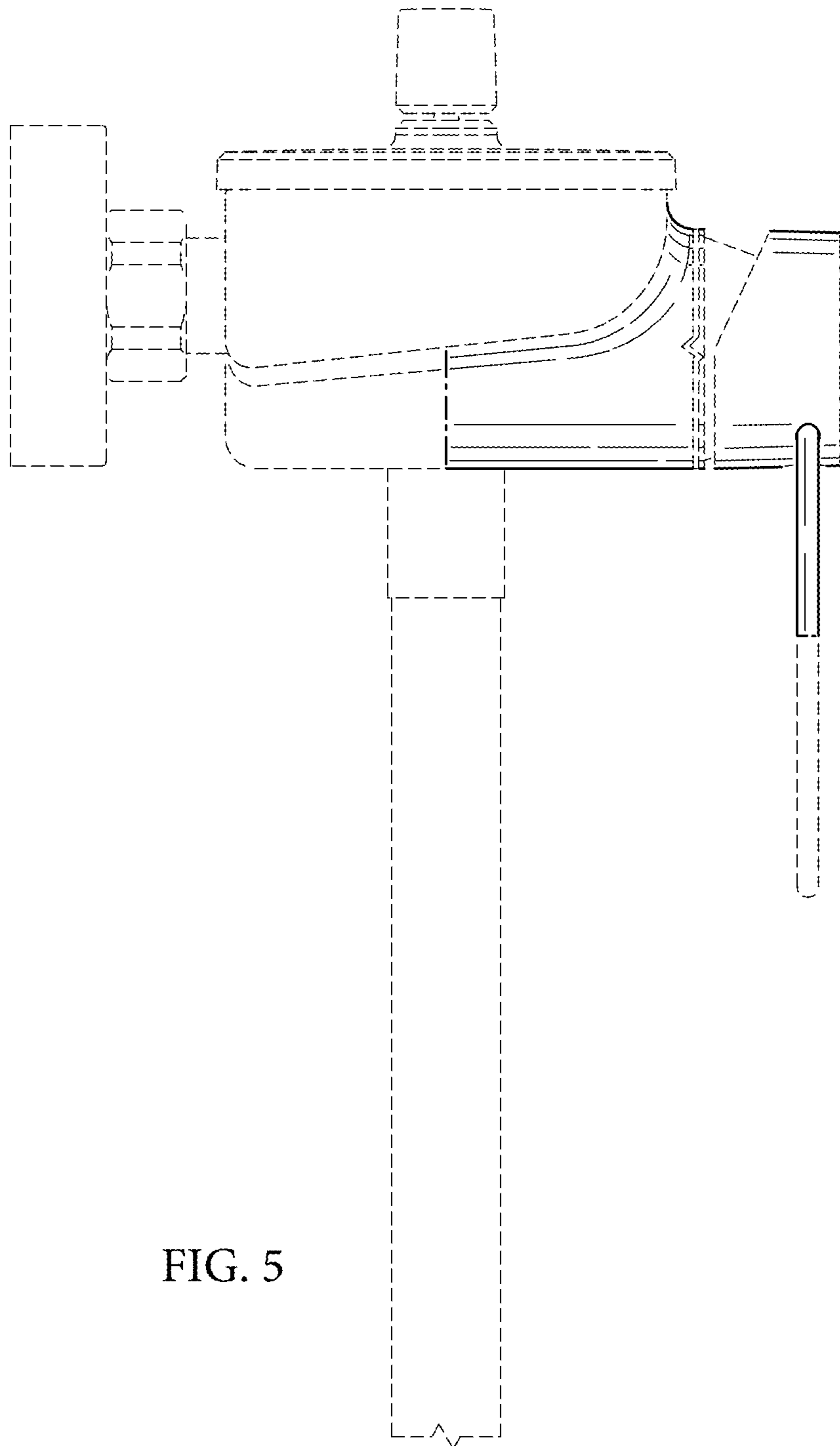


FIG. 4



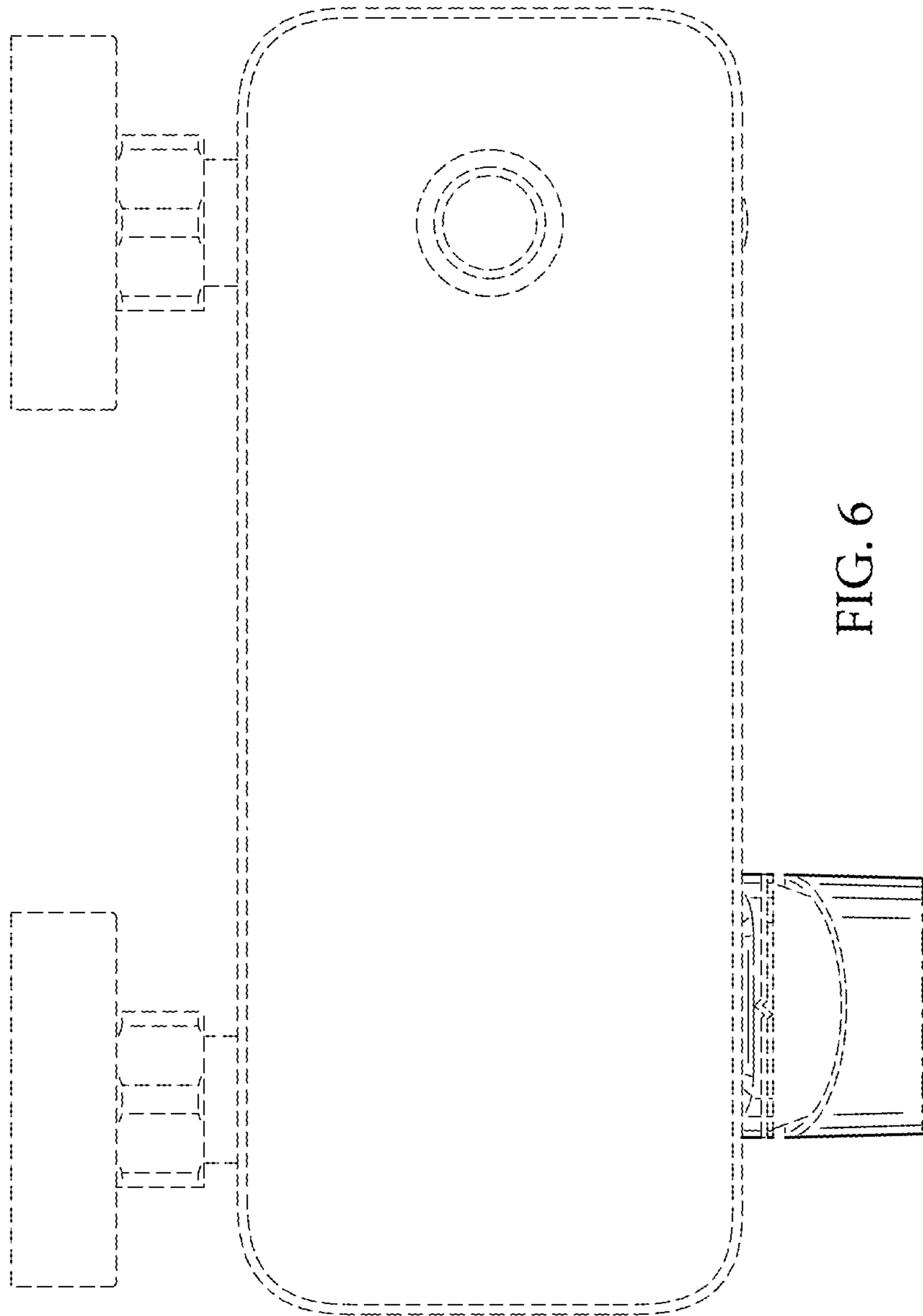


FIG. 6

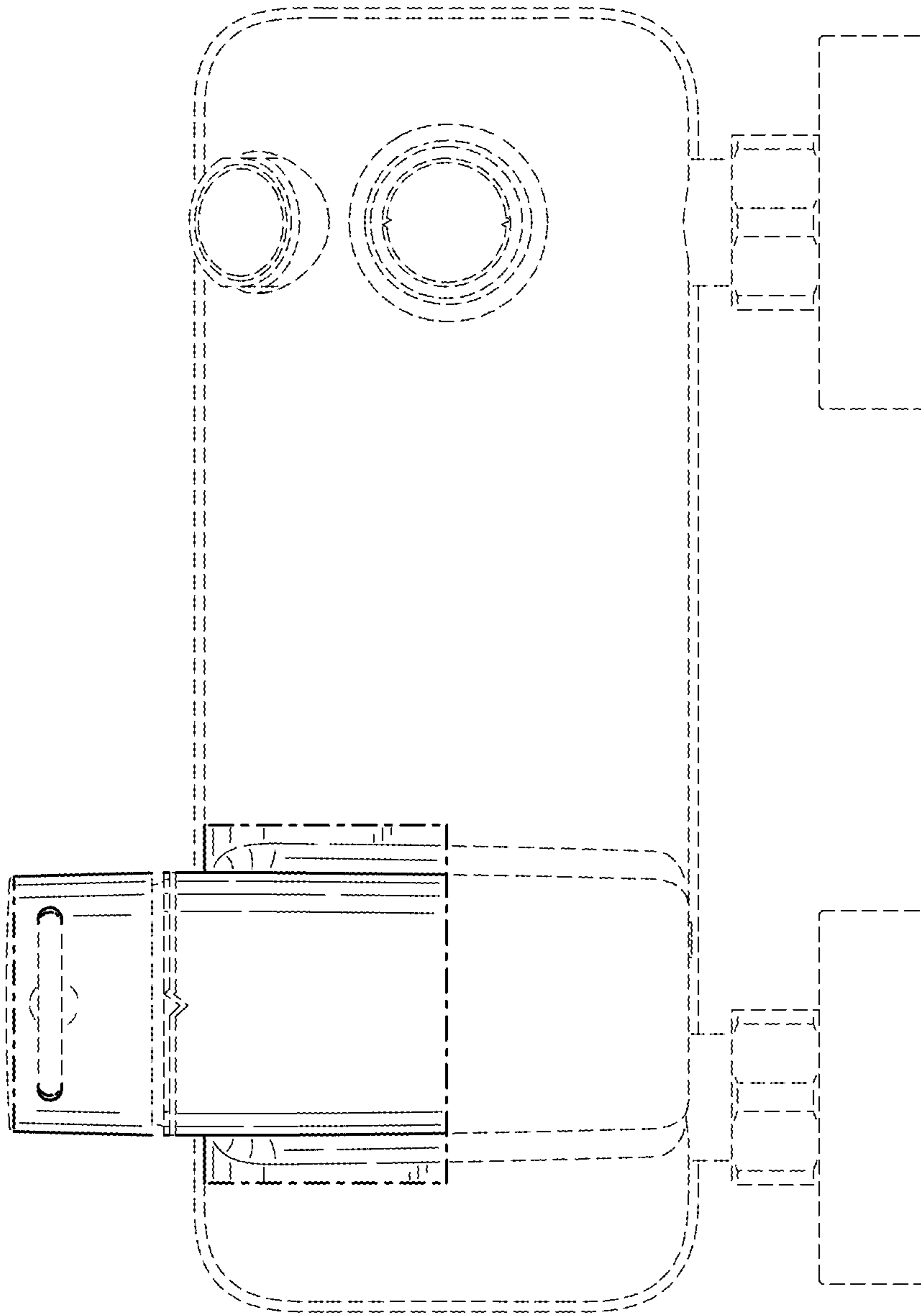


FIG. 7