



US00D877298S

(12) **United States Design Patent**  
**Auxter et al.**

(10) **Patent No.:** **US D877,298 S**  
(45) **Date of Patent:** **\*\* Mar. 3, 2020**

(54) **TWO-PIECE RELIEF VALVE COMPONENT**

4,168,723 A \* 9/1979 Schneider ..... F16K 17/04  
137/542

(71) Applicant: **FRAM GROUP IP LLC**, Lake Forest,  
IL (US)

4,763,689 A 8/1988 Heffner  
4,872,976 A 10/1989 Cudaback

(72) Inventors: **Daniel Auxter**, Genoa, OH (US);  
**Timothy L. Memmer**, Bowling Green,  
OH (US)

4,935,127 A 6/1990 Lowsky et al.  
D317,965 S 7/1991 Svensson  
5,137,049 A \* 8/1992 Orłowski ..... F16K 17/12  
137/533.11

(73) Assignee: **FRAM GROUP IP LLC**, Lake Forest,  
IL (US)

5,250,176 A 10/1993 Daniel  
5,256,280 A 10/1993 Anderly et al.  
(Continued)

(\*\*) Term: **15 Years**

FOREIGN PATENT DOCUMENTS

(21) Appl. No.: **29/633,800**

GB 1592613 7/1981

(22) Filed: **Jan. 16, 2018**

OTHER PUBLICATIONS

(51) **LOC (12) Cl.** ..... **23-01**

International Search Report and Written Opinion of PCT/US18/  
29027 dated Jul. 20, 2018.

(52) **U.S. Cl.**

USPC ..... **D23/249**

(58) **Field of Classification Search**

USPC ..... D23/233, 235, 237, 244, 249, 365, 209;  
210/130-136, 450, 430; 137/526, 533.11,  
137/542

CPC . F16K 17/02; F16K 24/04; F16K 1/42; F16K  
1/465; F16K 24/06; B01D 2201/291;  
B01D 2201/34; B01D 35/306; B01D  
35/005; B01D 35/30; B01D 27/103

See application file for complete search history.

*Primary Examiner* — Gino Colan

(74) *Attorney, Agent, or Firm* — Miller Canfield

(57)

**CLAIM**

The ornamental design for a two-piece relief valve compo-  
nent, as shown and described.

**DESCRIPTION**

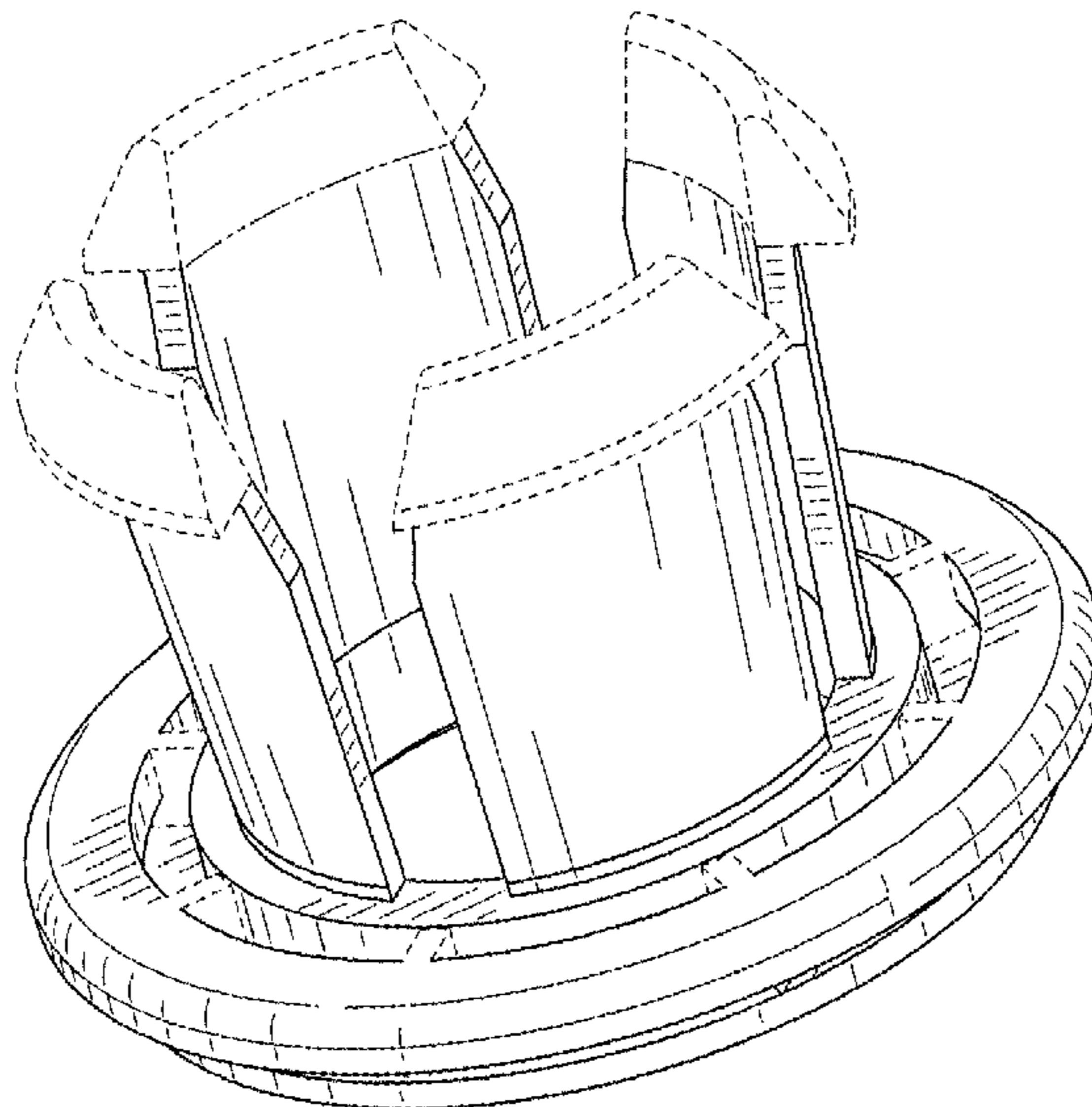
FIG. 1 is a side perspective view of a two-piece relief valve  
component showing our new design;  
FIG. 2 is a bottom perspective view thereof;  
FIG. 3 is a left side view thereof;  
FIG. 4 is a right side view thereof;  
FIG. 5 is a top plan view thereof;  
FIG. 6 is a bottom plan view thereof; and,  
FIG. 7 is an exploded side perspective view thereof.  
The broken lines in the drawings are included for purposes  
of illustrating portions of the two-piece relief valve compo-  
nent which form no part of the claimed design.

(56) **References Cited**

U.S. PATENT DOCUMENTS

3,156,259 A 11/1964 Havelka et al.  
3,235,085 A 2/1966 Humbert, Jr.  
3,305,095 A \* 2/1967 Hathaway ..... B01D 27/103  
210/130  
3,567,022 A \* 3/1971 Thornton ..... B01D 27/103  
210/130  
3,589,517 A 6/1971 Palmai  
3,618,775 A 11/1971 Hultgren  
3,861,570 A 1/1975 Green  
4,028,243 A 6/1977 Offer et al.

**1 Claim, 4 Drawing Sheets**



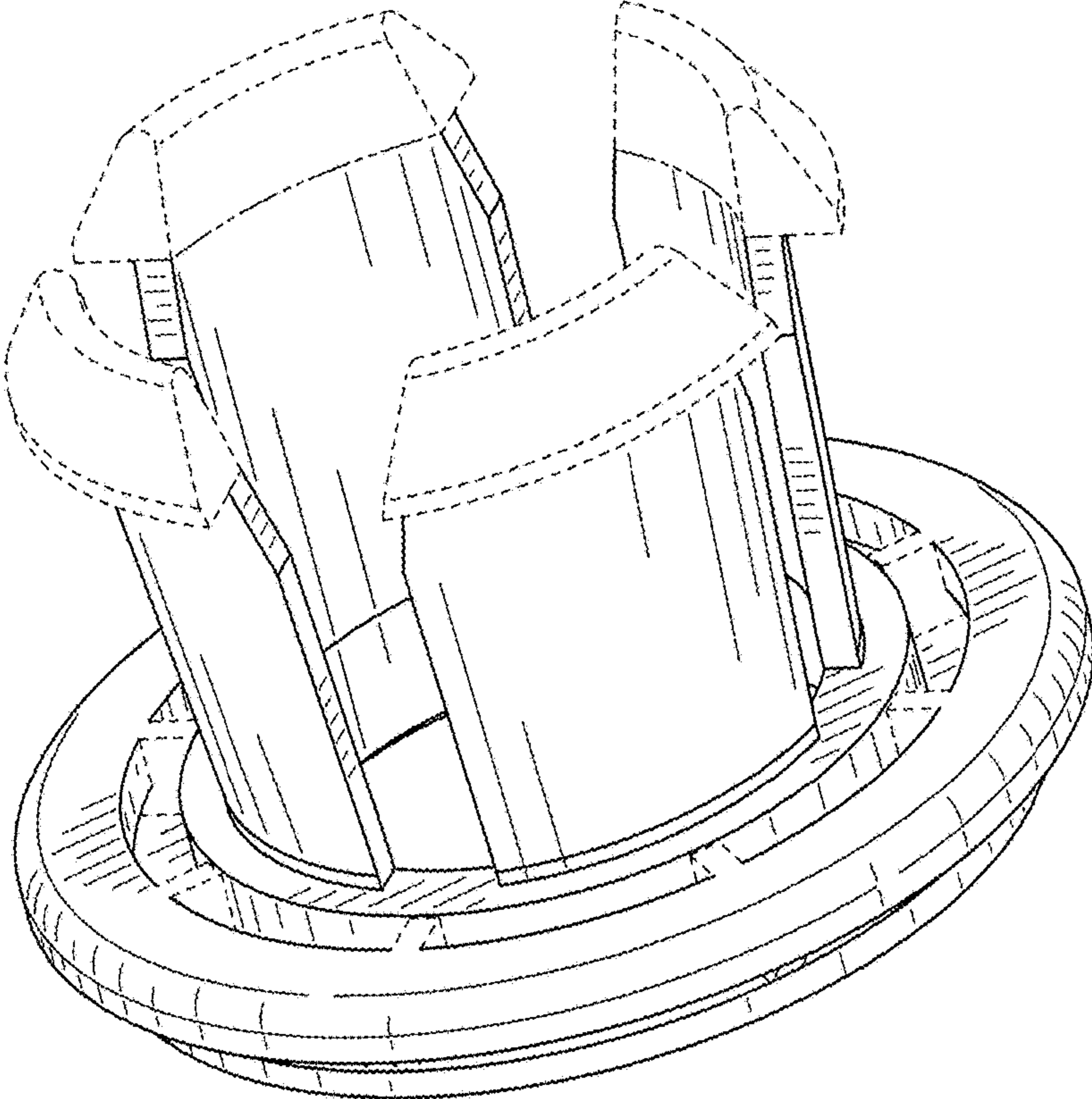
(56)

**References Cited**

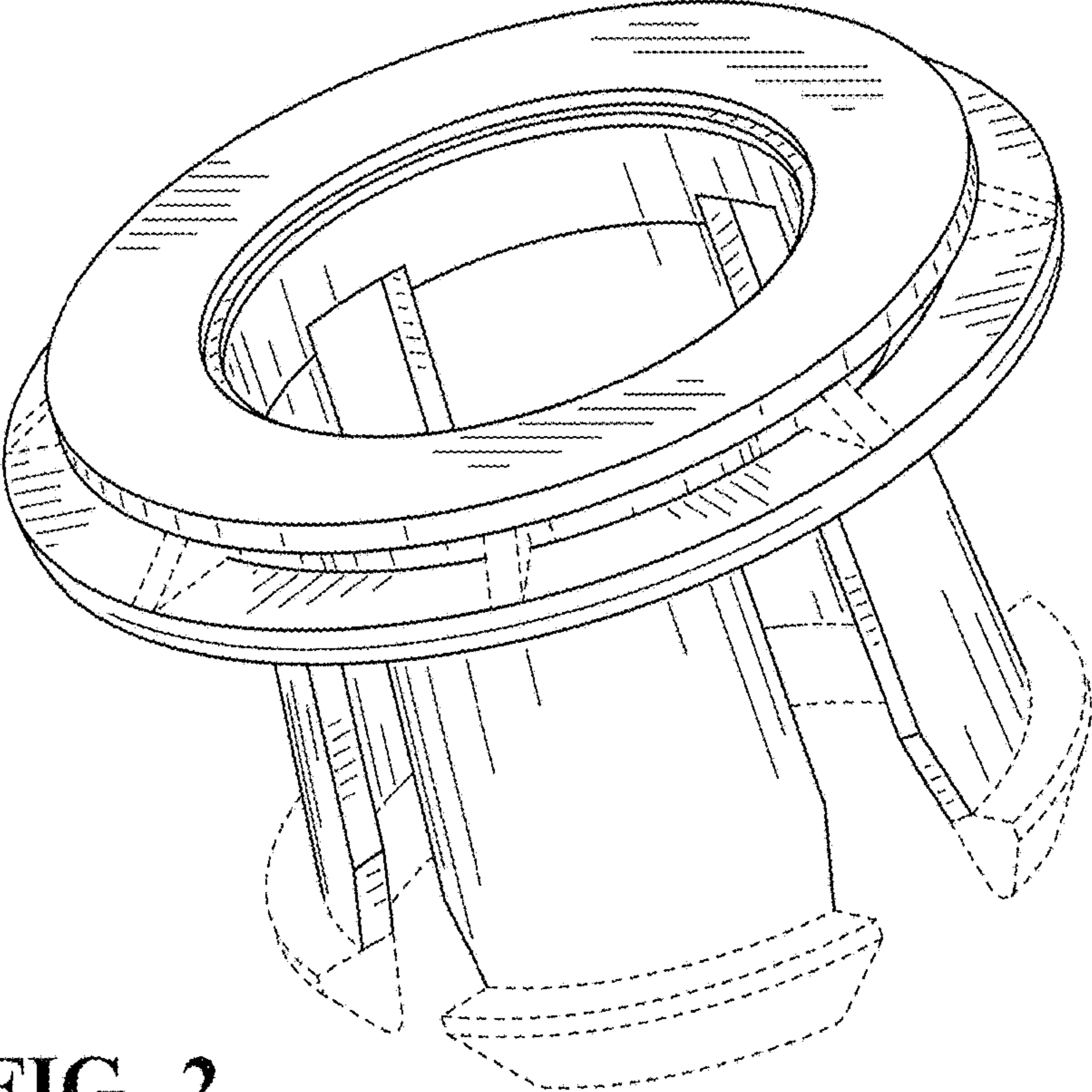
U.S. PATENT DOCUMENTS

5,363,878	A *	11/1994	Atkins .....	F16K 15/144
				137/526
5,395,518	A *	3/1995	Gulsvig .....	B01D 27/06
				210/132
6,214,215	B1	4/2001	Berkey et al.	
6,284,130	B1	9/2001	Daniel	
6,936,162	B1	8/2005	McKenzie	
7,175,761	B2	2/2007	Stanhope et al.	
D671,201	S	11/2012	Yano	
8,496,119	B2	7/2013	Crawford	
9,884,278	B2	2/2018	Bilski et al.	
9,995,408	B1 *	6/2018	Yager .....	F16K 17/12
D835,756	S *	12/2018	Auxter .....	D23/249
D844,113	S *	3/2019	Auxter .....	D23/249
2005/0103692	A1	5/2005	Stanhope et al.	
2007/0235374	A1	10/2007	Wright et al.	
2013/0119289	A1	5/2013	Morris et al.	
2015/0219226	A1	8/2015	Bilski et al.	
2015/0238885	A1	8/2015	Bilski et al.	
2018/0304179	A1 *	10/2018	Auxter .....	B01D 35/1475

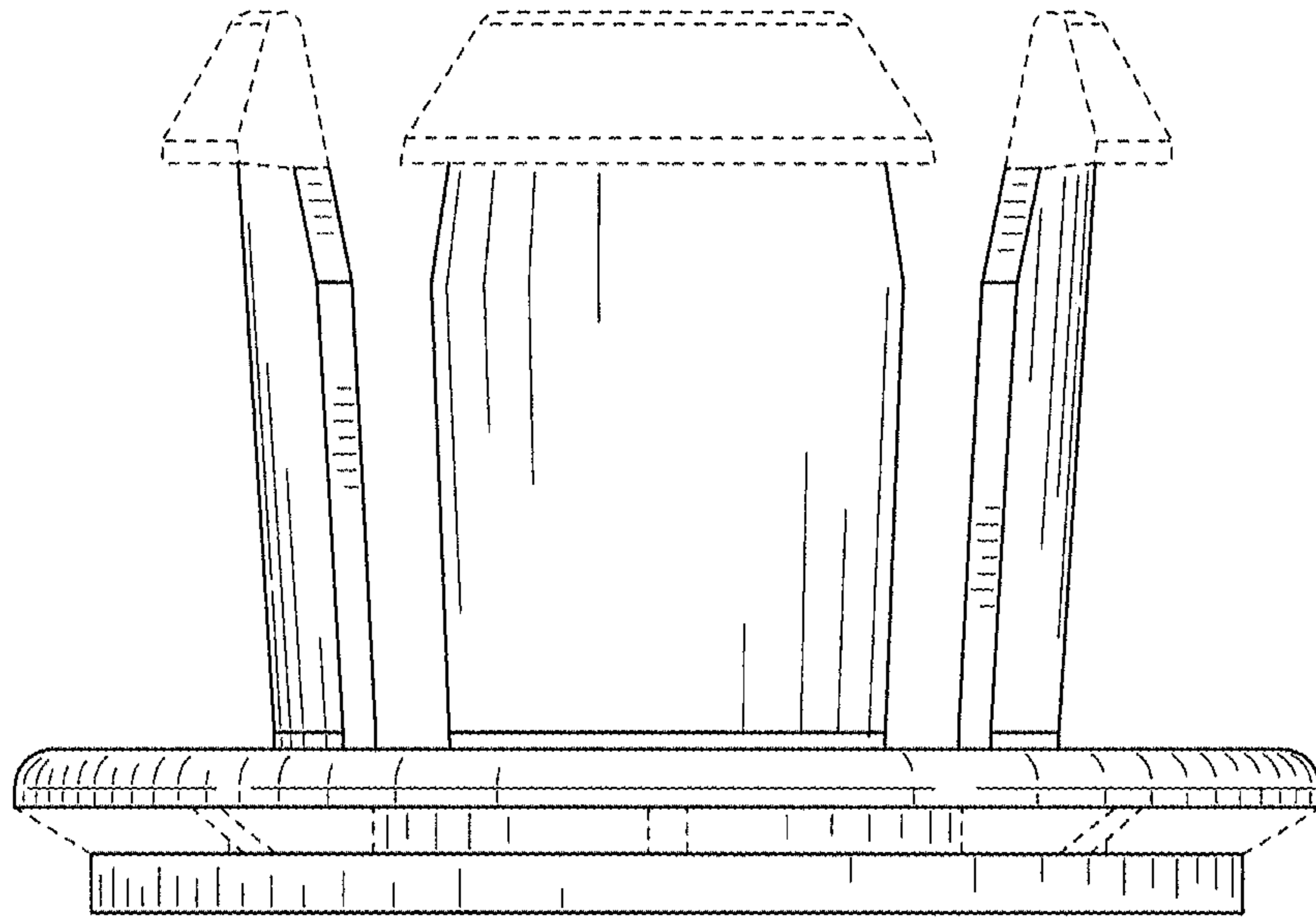
\* cited by examiner



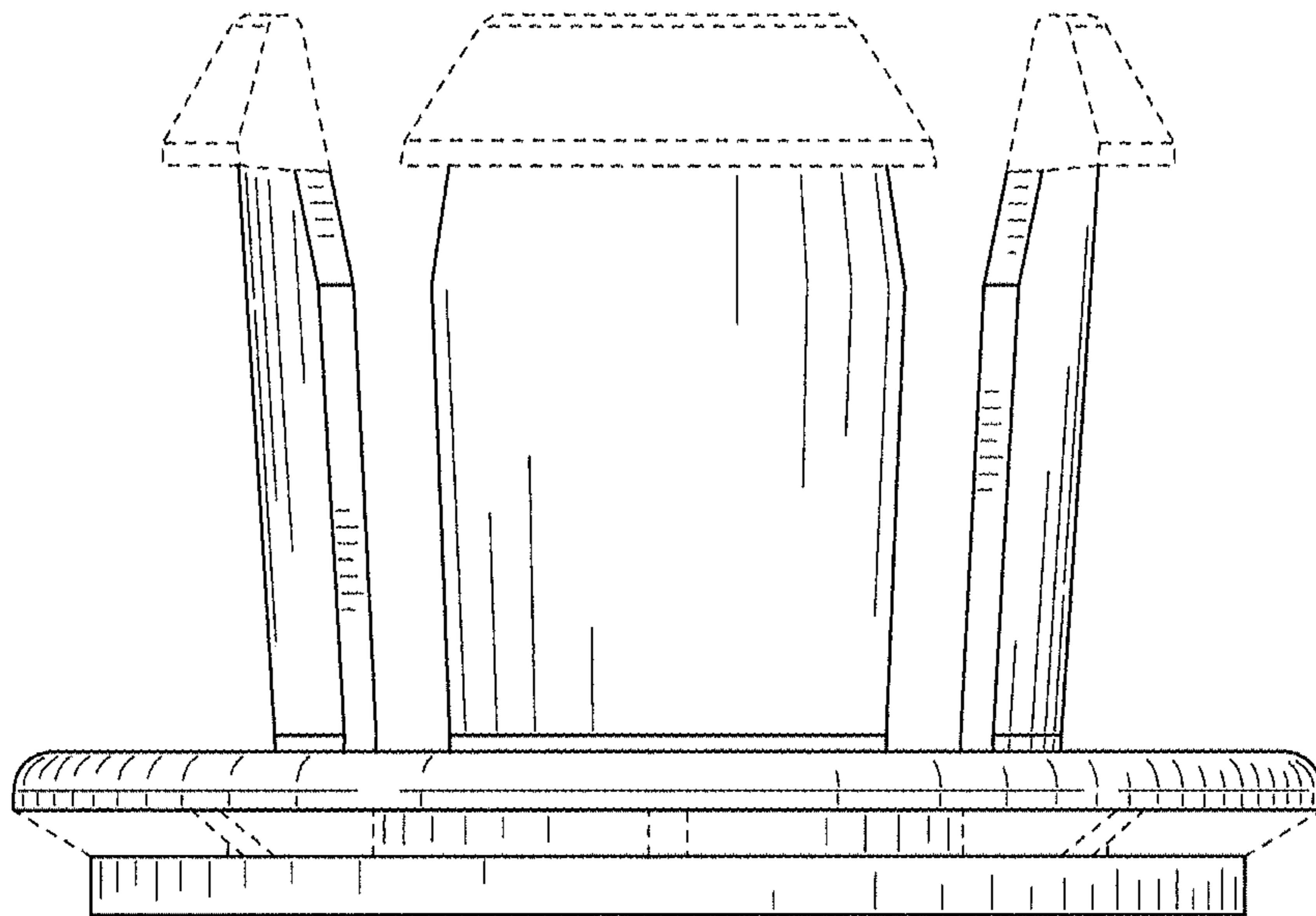
**FIG. 1**



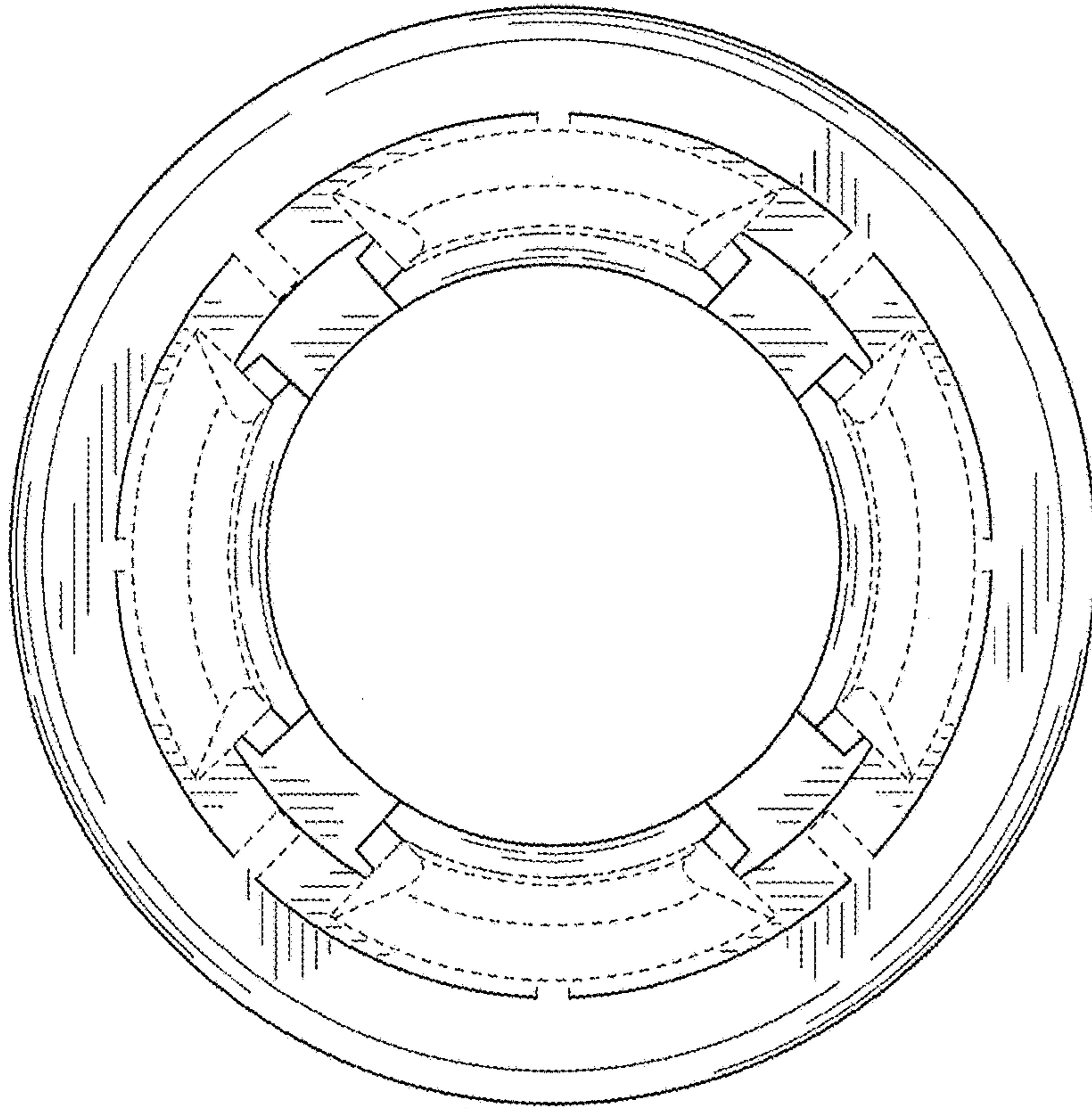
**FIG. 2**



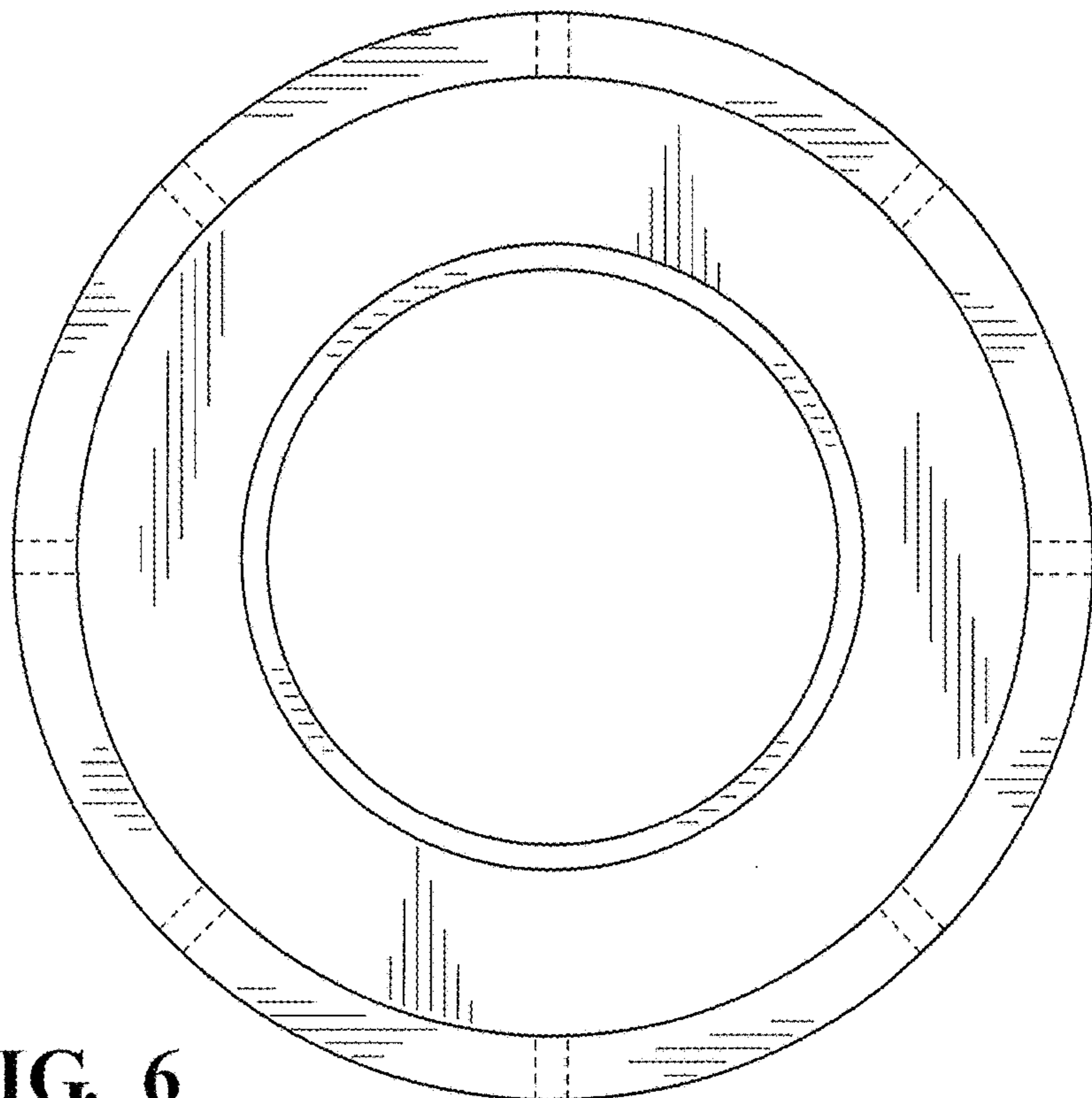
**FIG. 3**



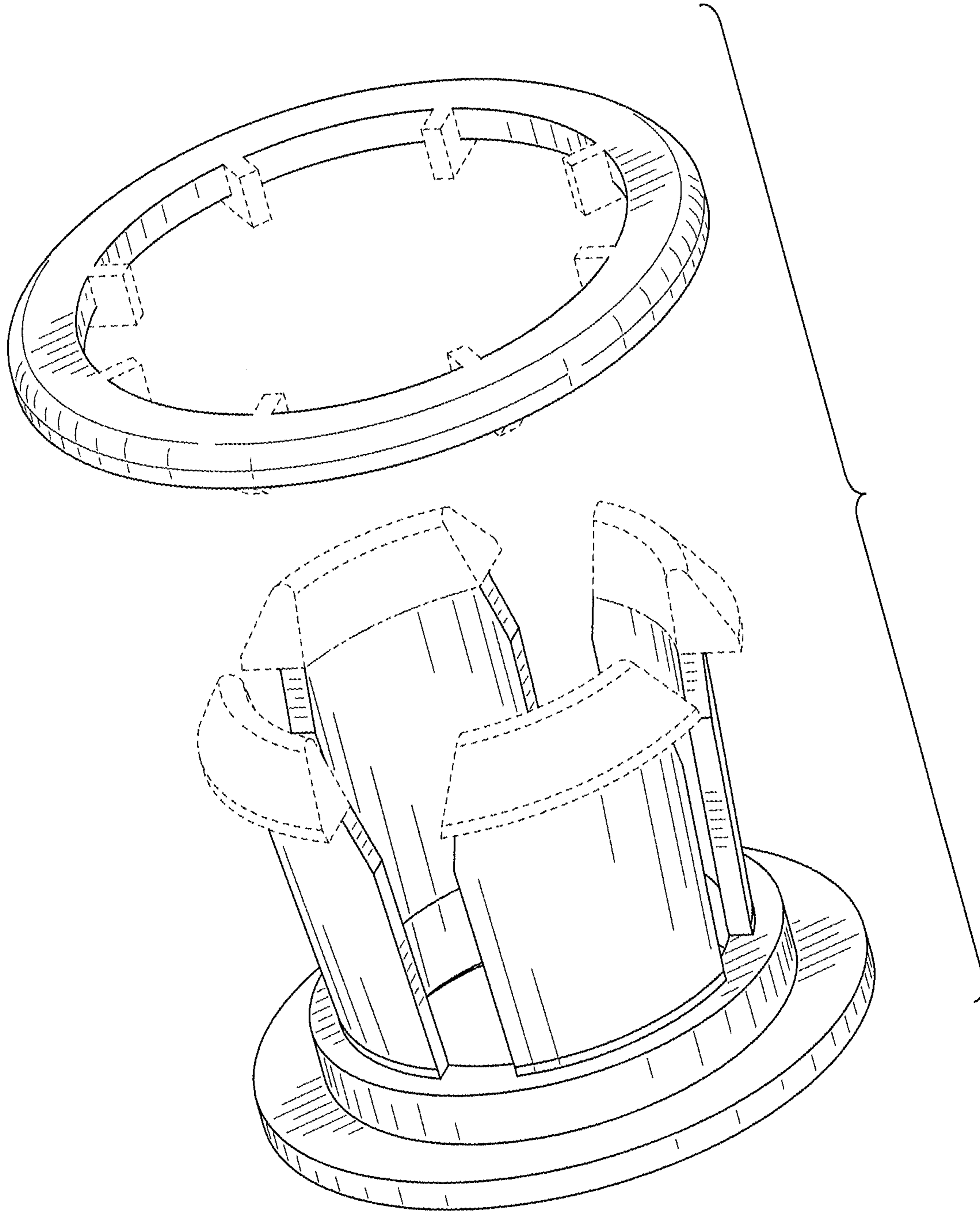
**FIG. 4**



**FIG. 5**



**FIG. 6**



**FIG. 7**