



US00D877297S

(12) **United States Design Patent**
Tentler

(10) **Patent No.:** **US D877,297 S**

(45) **Date of Patent:** **** Mar. 3, 2020**

(54) **FAUCET BODY**

D683,825 S * 6/2013 Sofield D23/255
D754,821 S * 4/2016 Bahler D23/238

(71) Applicant: **DELTA FAUCET COMPANY,**
Indianapolis, IN (US)

* cited by examiner

(72) Inventor: **Anthony Joseph Tentler,** Windfall, IN
(US)

Primary Examiner — Robert A Delehanty

(74) *Attorney, Agent, or Firm* — Edgar A. Zarins; Nirav
D. Parikh

(73) Assignee: **DELTA FAUCET COMPANY,**
Indianapolis, IN (US)

(57) **CLAIM**

(**) Term: **15 Years**

The ornamental design for a faucet body, as shown and
described.

(21) Appl. No.: **29/638,172**

(22) Filed: **Feb. 25, 2018**

DESCRIPTION

(51) **LOC (12) Cl.** **23-01**

(52) **U.S. Cl.**
USPC **D23/238**

(58) **Field of Classification Search**
USPC D23/238-243, 255, 257
CPC E03C 1/0412
See application file for complete search history.

FIG. 1 is a front perspective view of a faucet body showing
my new design;
FIG. 2 is a rear perspective view thereof;
FIG. 3 is a front elevational view thereof;
FIG. 4 is a left side view thereof;
FIG. 5 is a rear view thereof;
FIG. 6 is a right side view thereof;
FIG. 7 is a top plan view thereof; and,
FIG. 8 is a bottom view thereof.

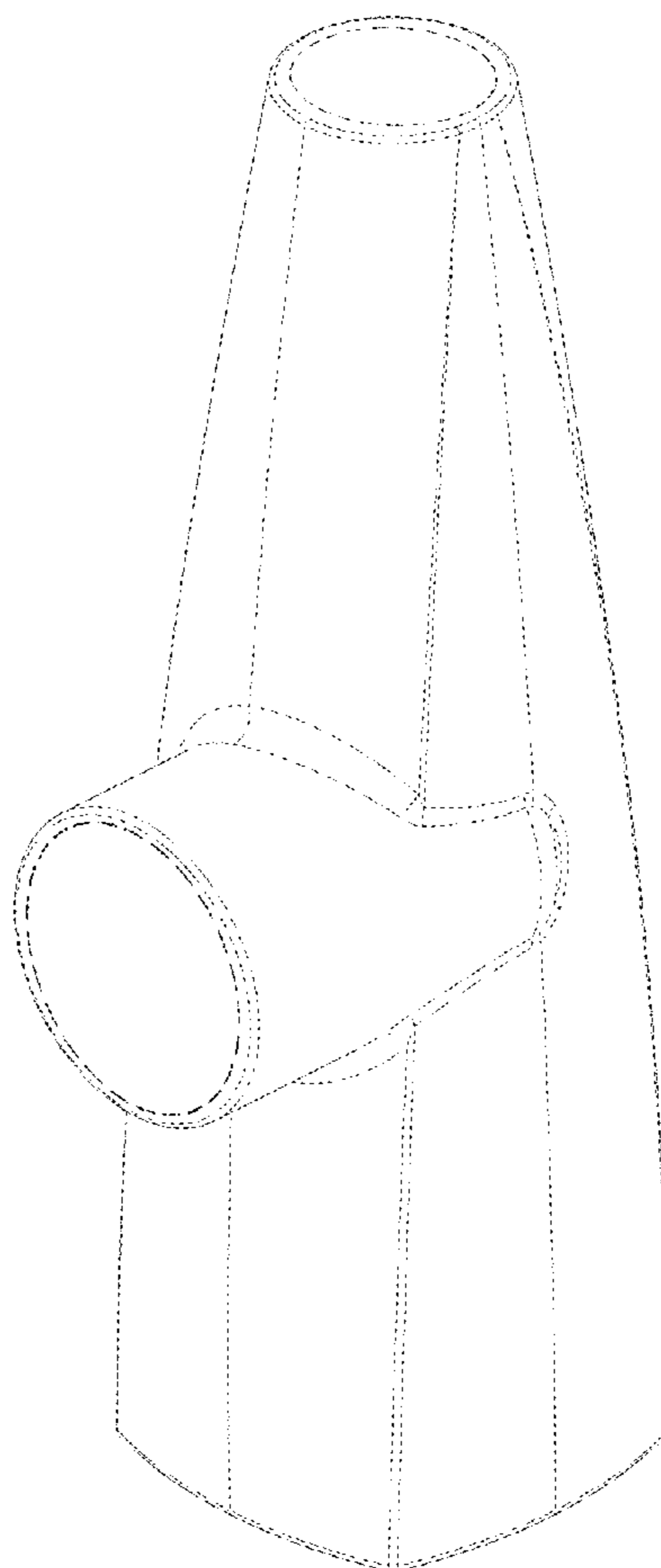
Portions of the article shown in phantom lines form no part
of the claimed design.

(56) **References Cited**

U.S. PATENT DOCUMENTS

D530,786 S * 10/2006 Gilbert D23/238

1 Claim, 4 Drawing Sheets



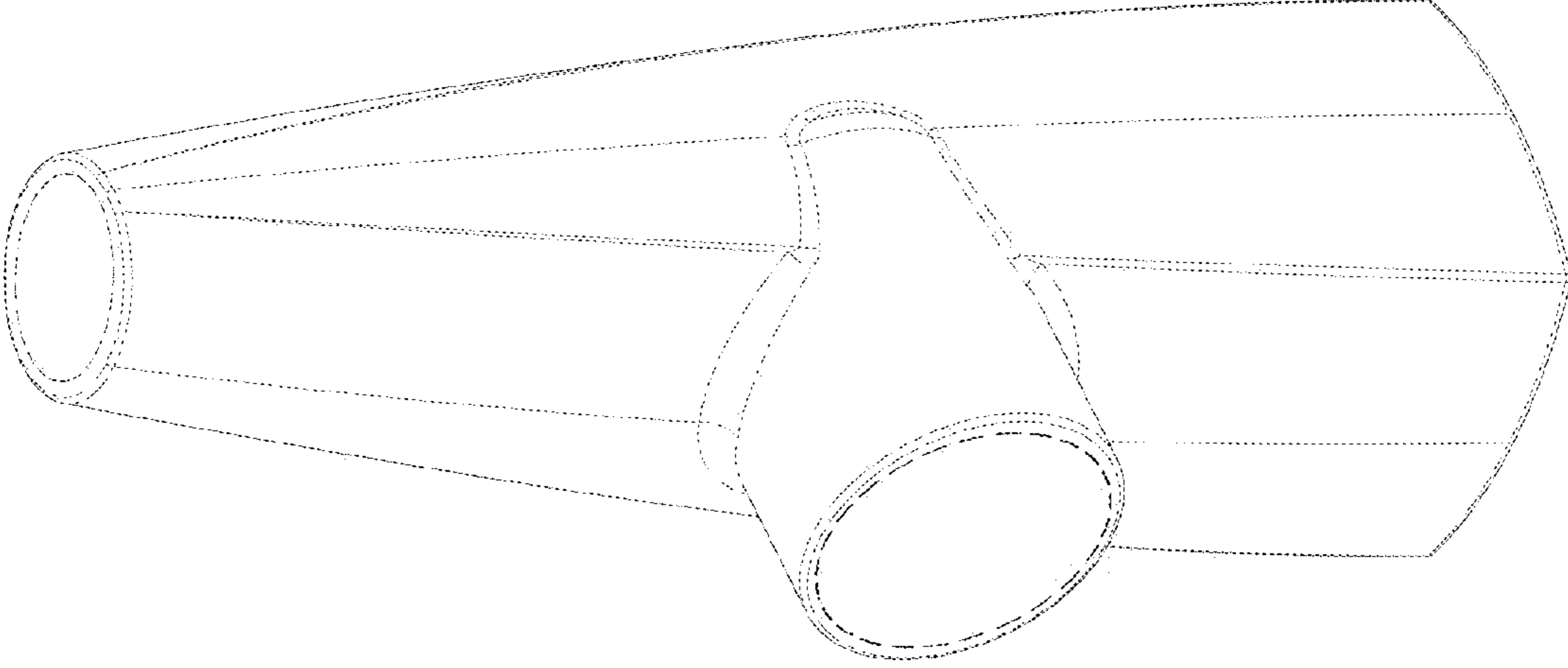


FIG - 2

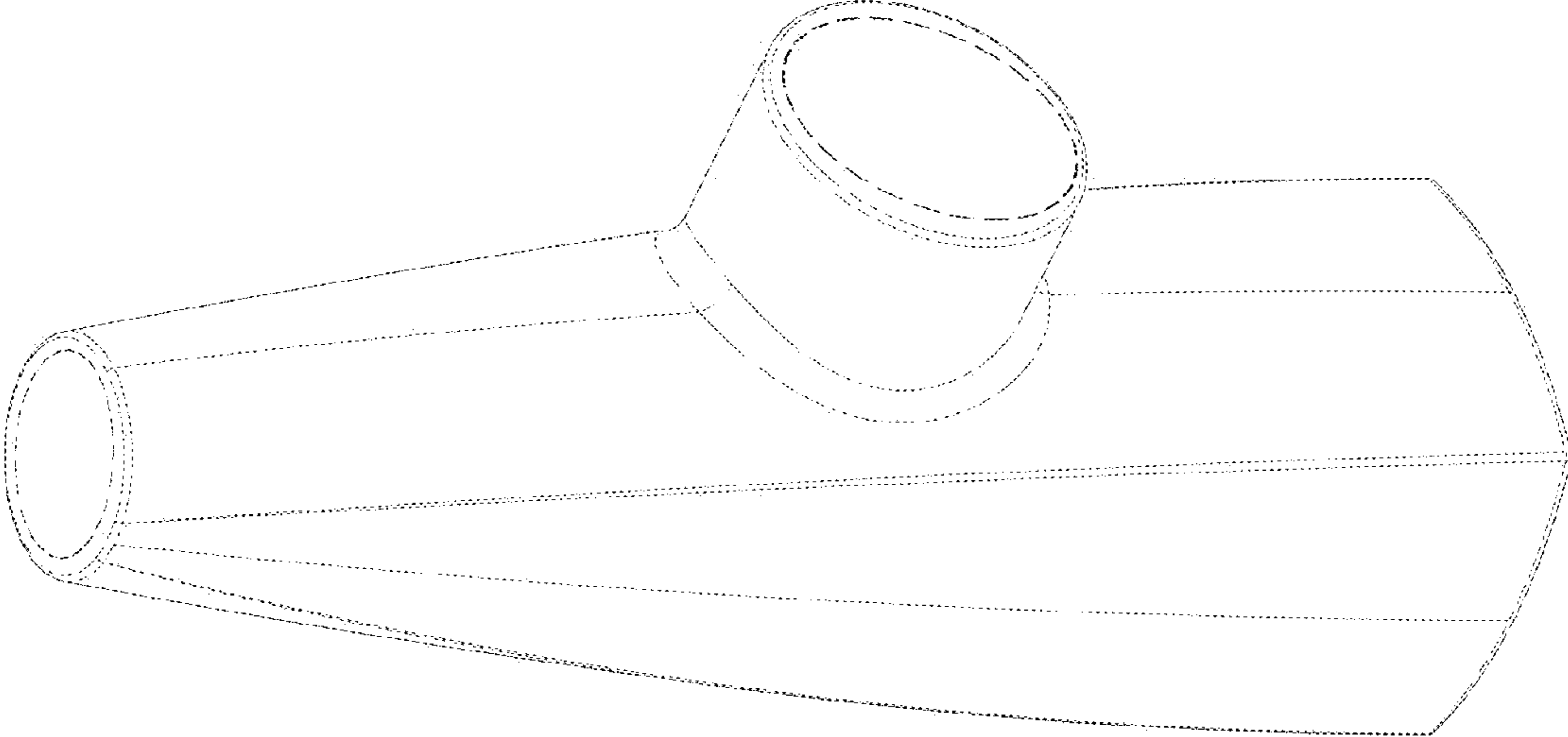


FIG - 1

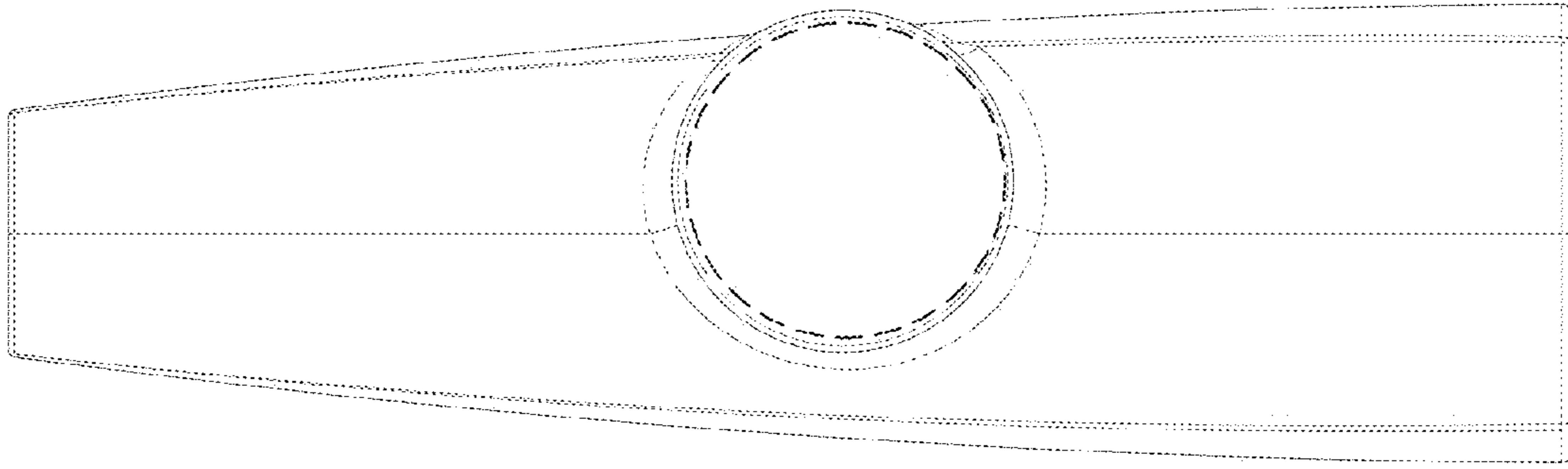


FIG - 4

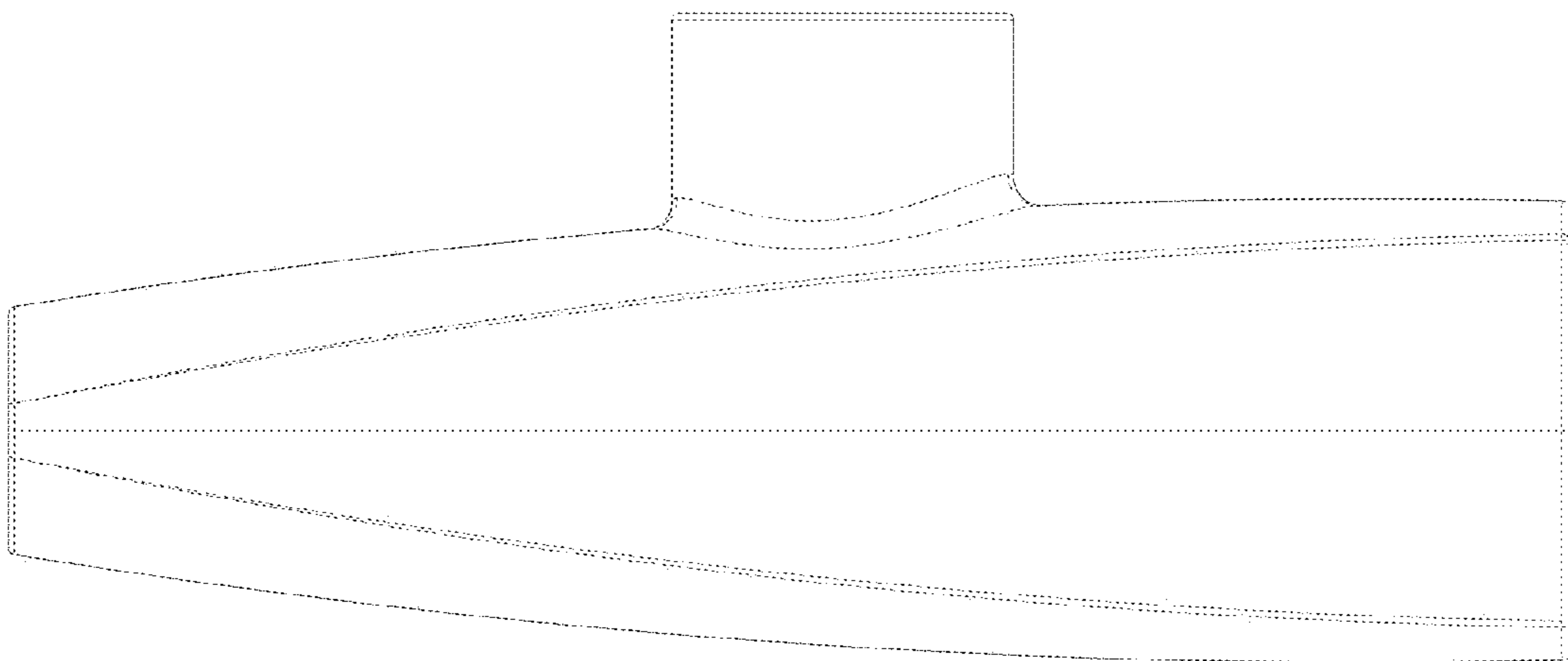


FIG - 3

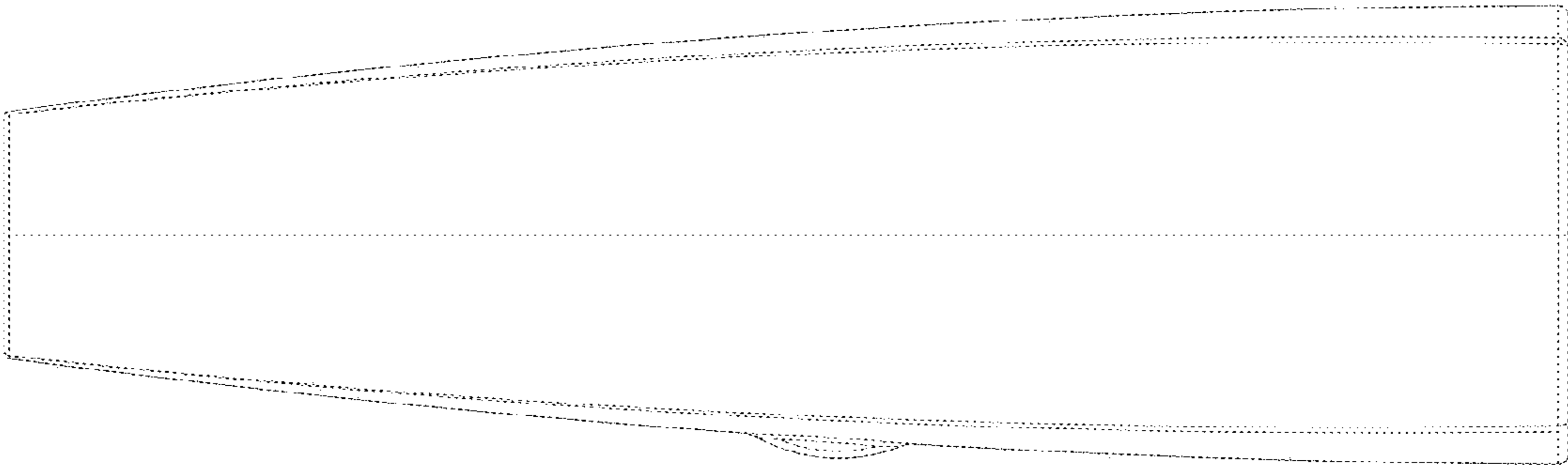


FIG - 6

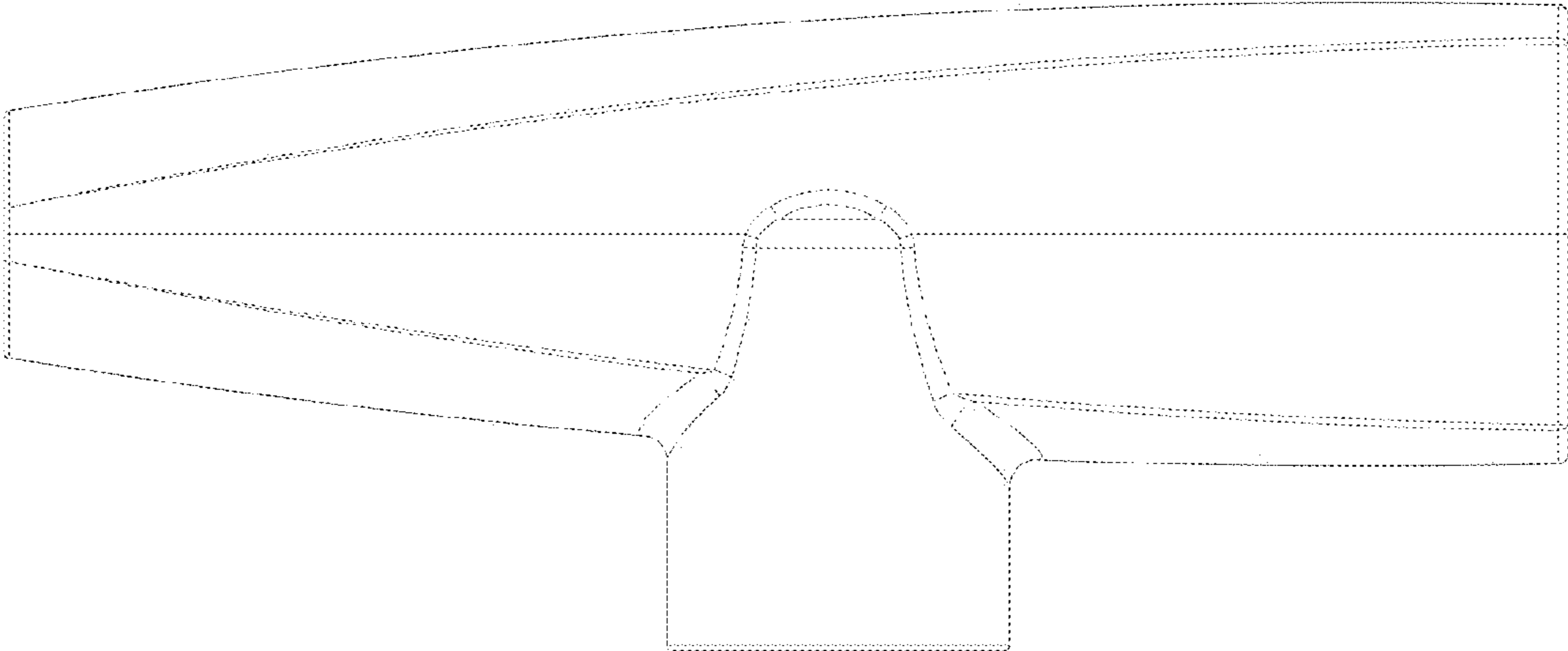


FIG - 5

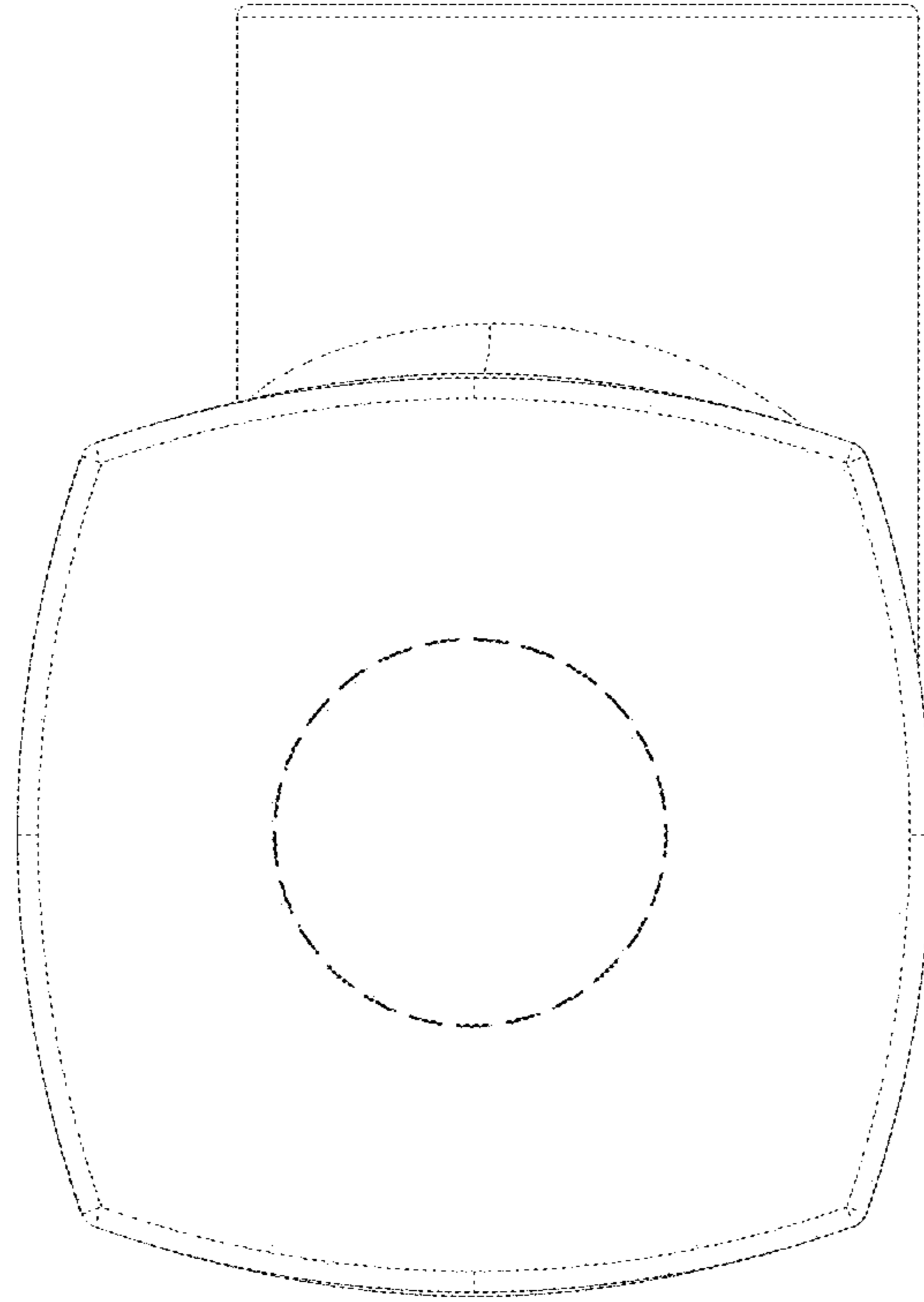


FIG - 8

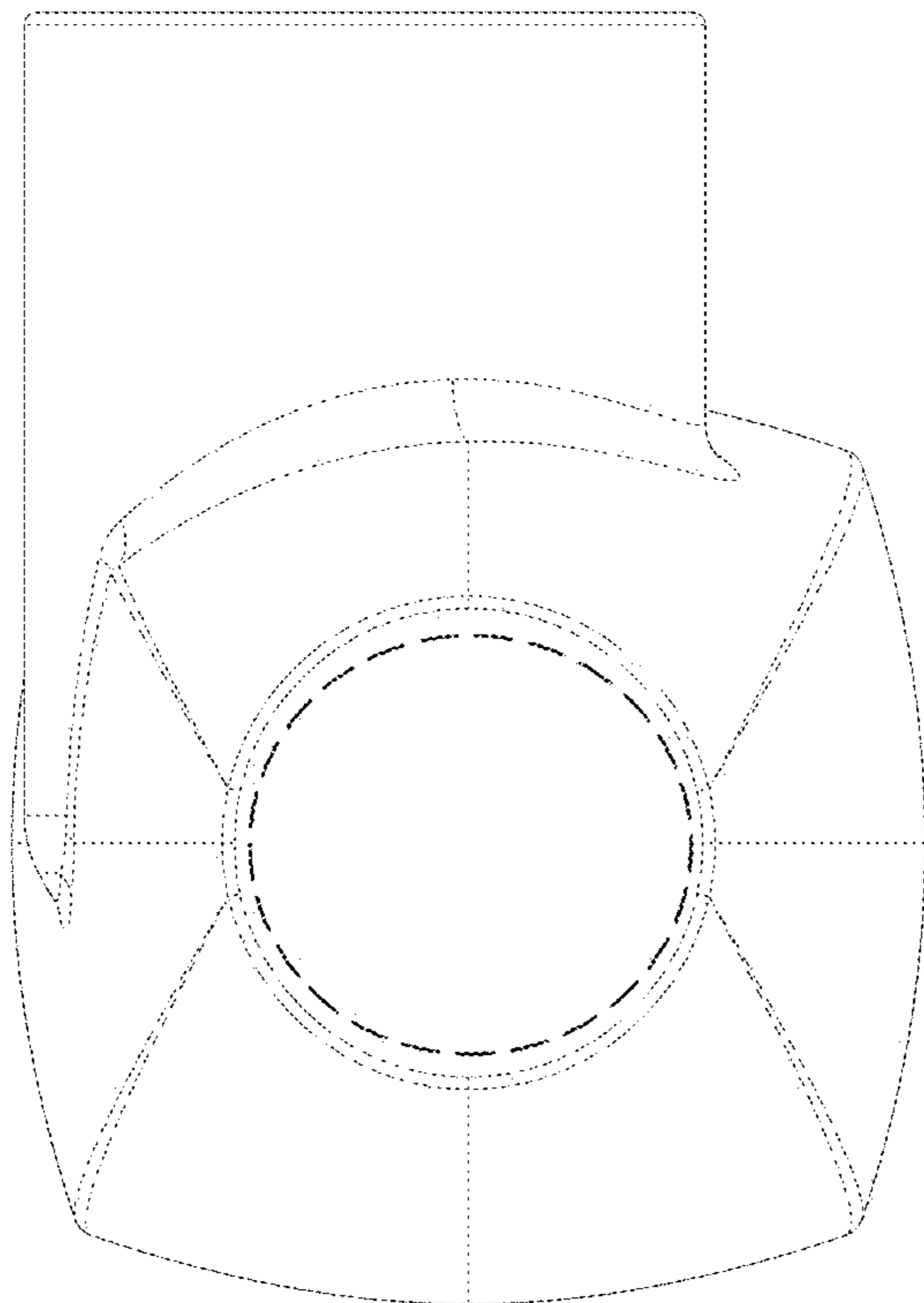


FIG - 7