



US00D877296S

(12) **United States Design Patent**
Tentler

(10) **Patent No.:** **US D877,296 S**
(45) **Date of Patent:** **** Mar. 3, 2020**

- (54) **FAUCET**
- (71) Applicant: **DELTA FAUCET COMPANY**,
Indianapolis, IN (US)
- (72) Inventor: **Anthony Joseph Tentler**, Windfall, IN
(US)
- (73) Assignee: **DELTA FAUCET COMPANY**,
Indianapolis, IN (US)
- (**) Term: **15 Years**
- (21) Appl. No.: **29/638,168**
- (22) Filed: **Feb. 25, 2018**
- (51) **LOC (12) Cl.** **23-01**
- (52) **U.S. Cl.**
USPC **D23/238**
- (58) **Field of Classification Search**
USPC D23/238, 241–243, 255, 257, 226, 252,
D23/254; D8/307–308
CPC F16K 31/60; F16K 31/602; F16K 31/605;
F16K 31/607; E03C 1/0405; E03C
2001/0415; E03C 1/0412; E03C 1/0409
See application file for complete search history.

7,814,927 B2 * 10/2010 Hansen E03C 1/0404
137/315.12
D694,861 S * 12/2013 McKeone D23/255
D769,421 S * 10/2016 Hanna D23/252
D787,019 S * 5/2017 Ziemann D23/238
D809,106 S * 1/2018 Wang D23/252
D825,720 S * 8/2018 Zeng D23/238
D830,517 S * 10/2018 Zhang D23/238

* cited by examiner

Primary Examiner — Robert A Delehanty

(74) *Attorney, Agent, or Firm* — Edgar A. Zarins; Nirav
D. Parikh

(57) **CLAIM**

The ornamental design for a faucet, as shown and described.

DESCRIPTION

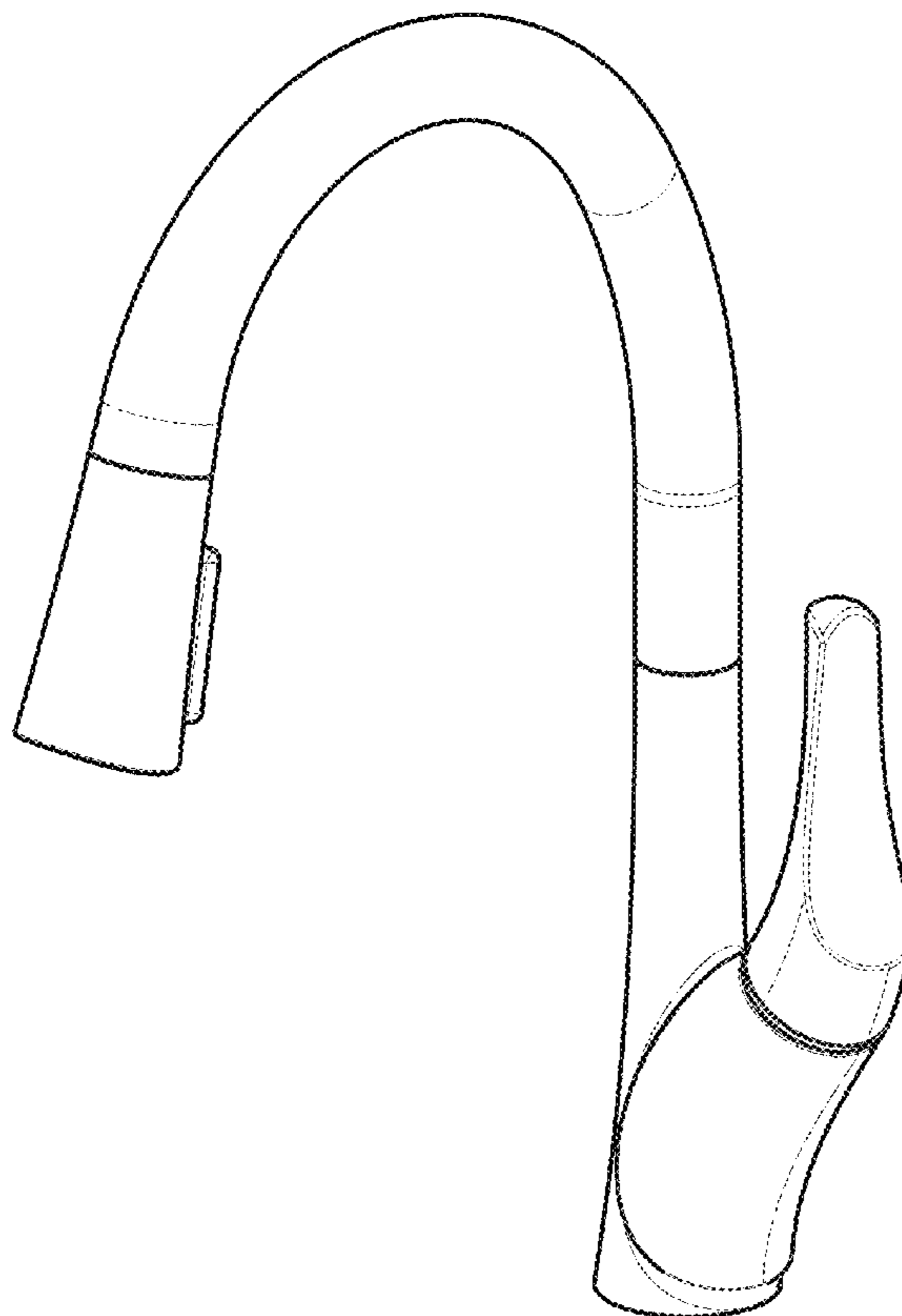
FIG. 1 is a front perspective view of a faucet showing my new design;
FIG. 2 is a rear perspective view thereof;
FIG. 3 is a front elevational view thereof;
FIG. 4 is a left side view thereof;
FIG. 5 is a rear view thereof;
FIG. 6 is a right side view thereof;
FIG. 7 is a top plan view thereof; and,
FIG. 8 is a bottom view thereof.
Portions of the article shown in broken lines form no part of the claimed design.

(56) **References Cited**

U.S. PATENT DOCUMENTS

D532,488 S * 11/2006 Berberet D23/252
D573,696 S * 7/2008 Eilmus D23/255

1 Claim, 4 Drawing Sheets



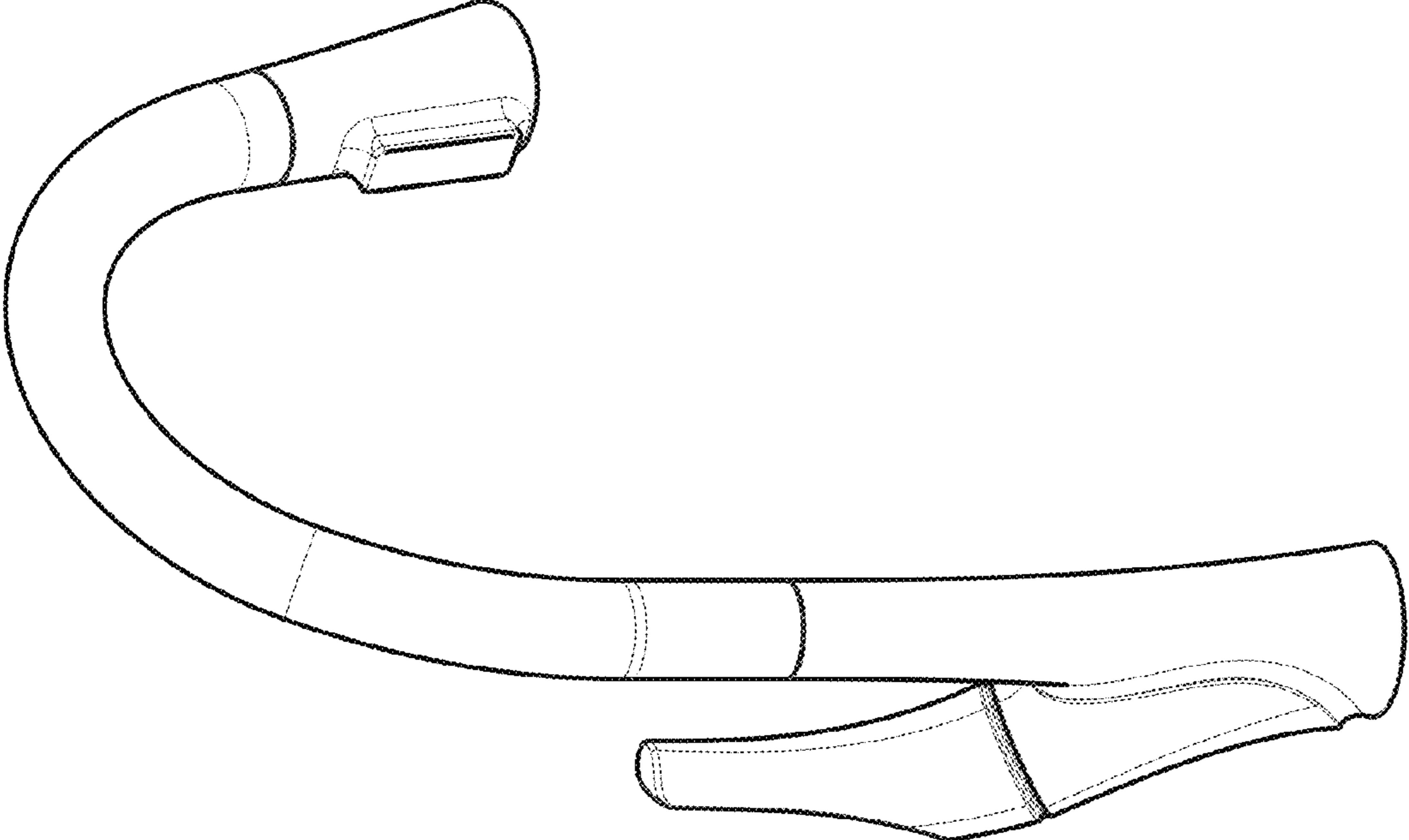


Fig. 2

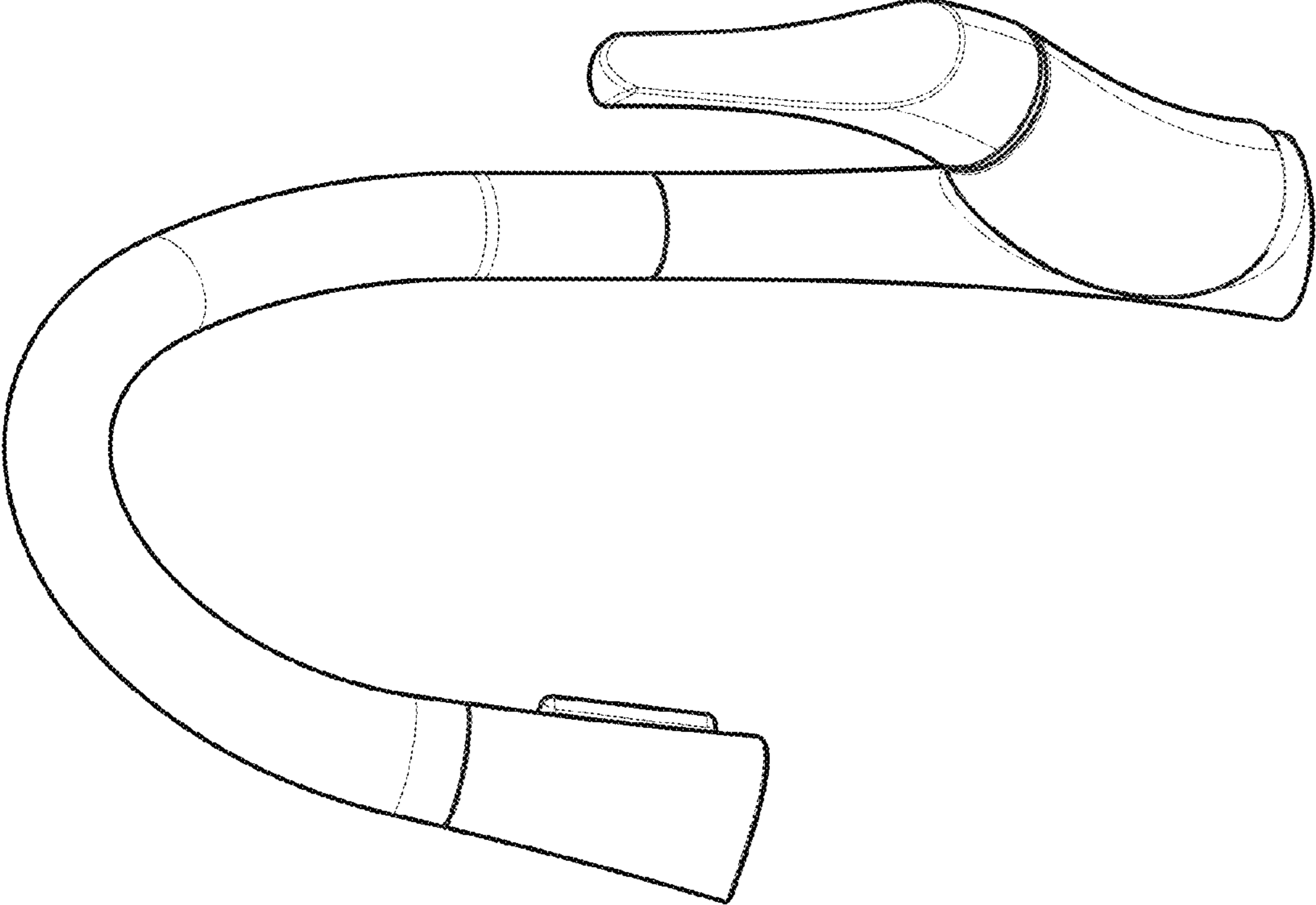


Fig. 1

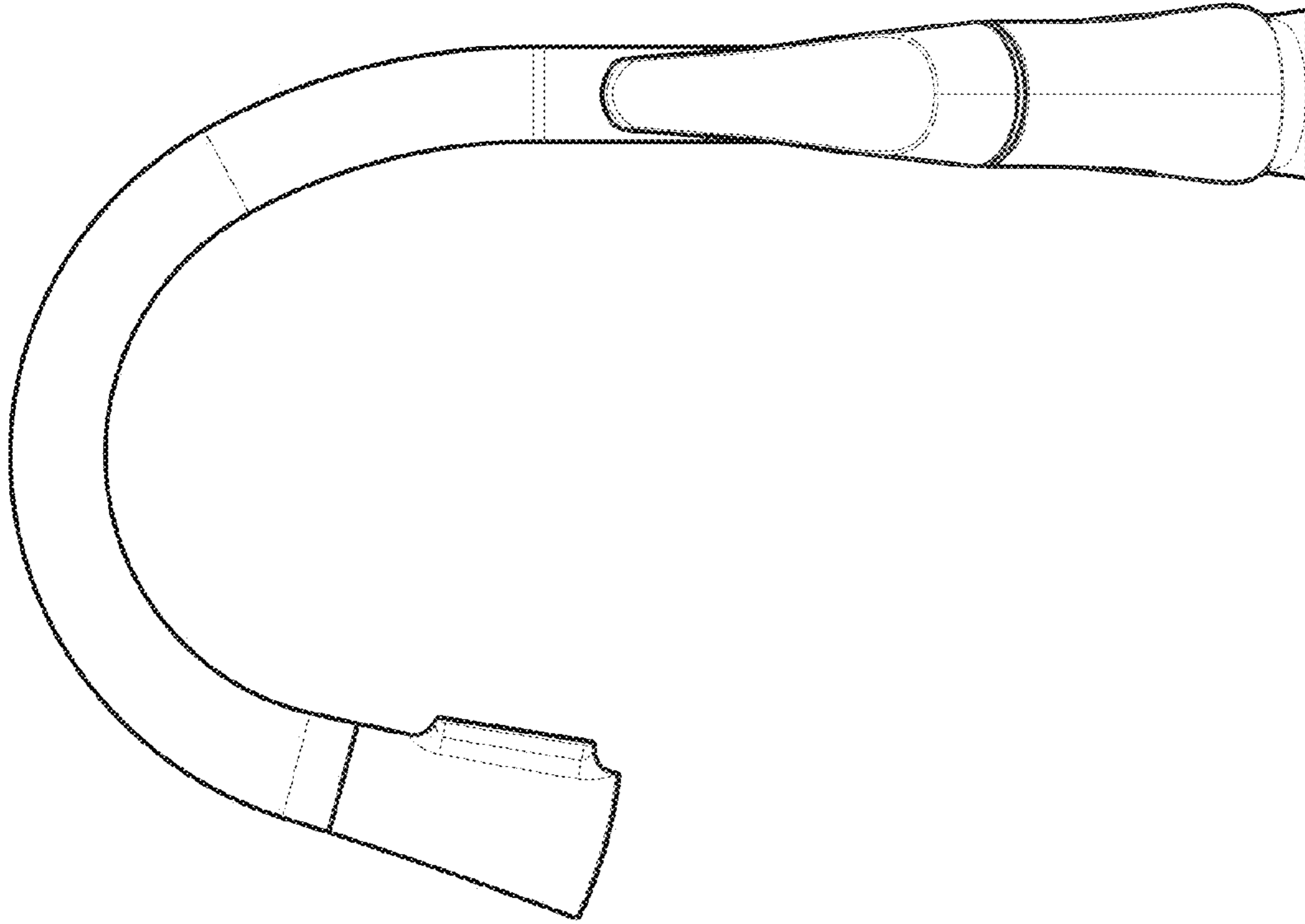


Fig. 4

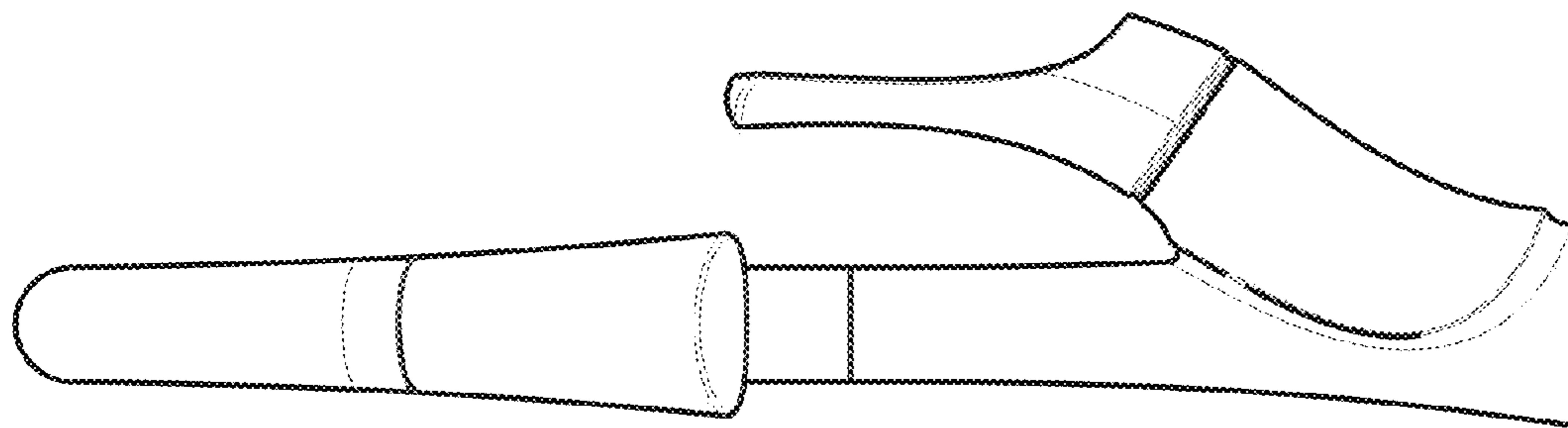


Fig. 3

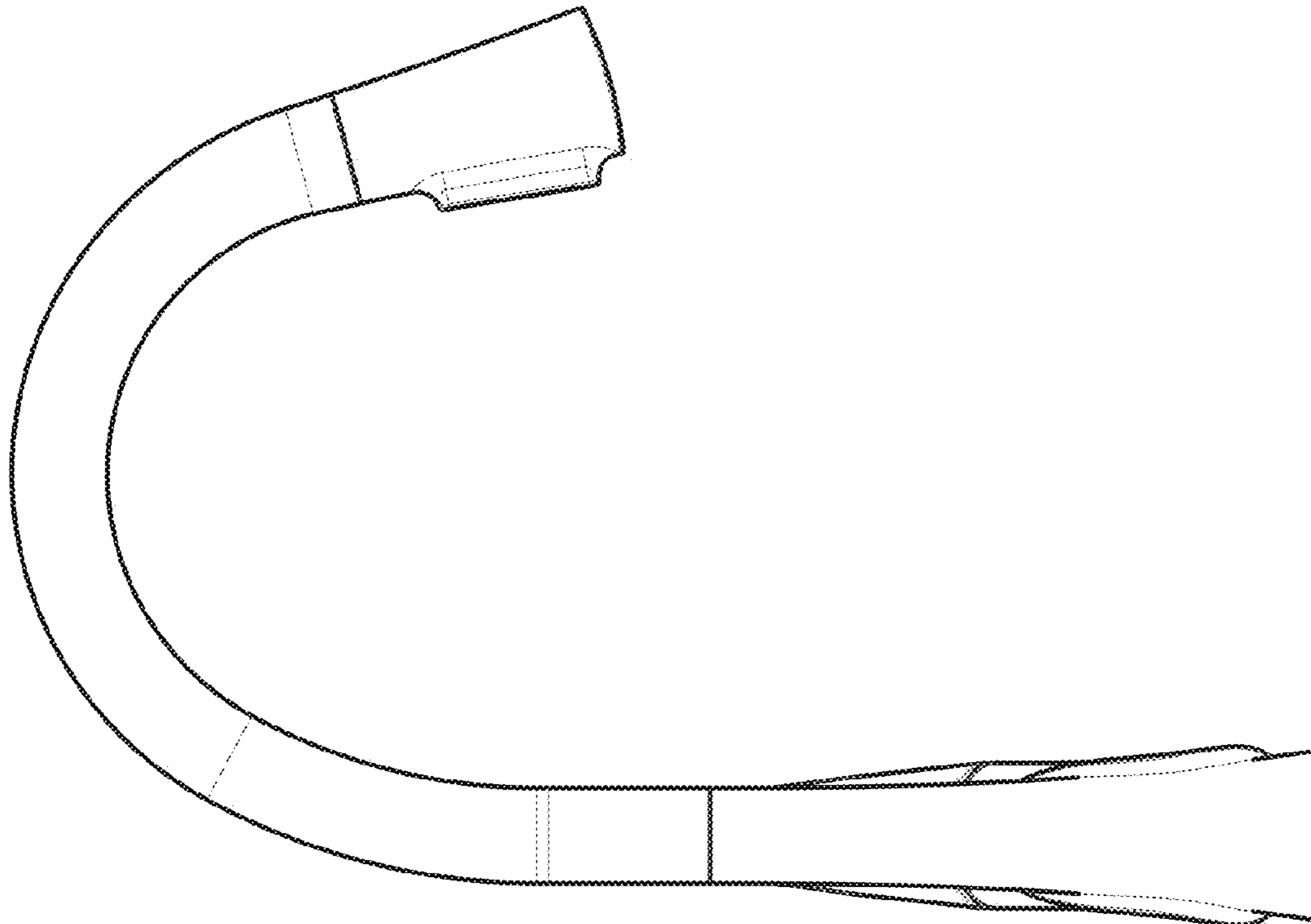


Fig. 6

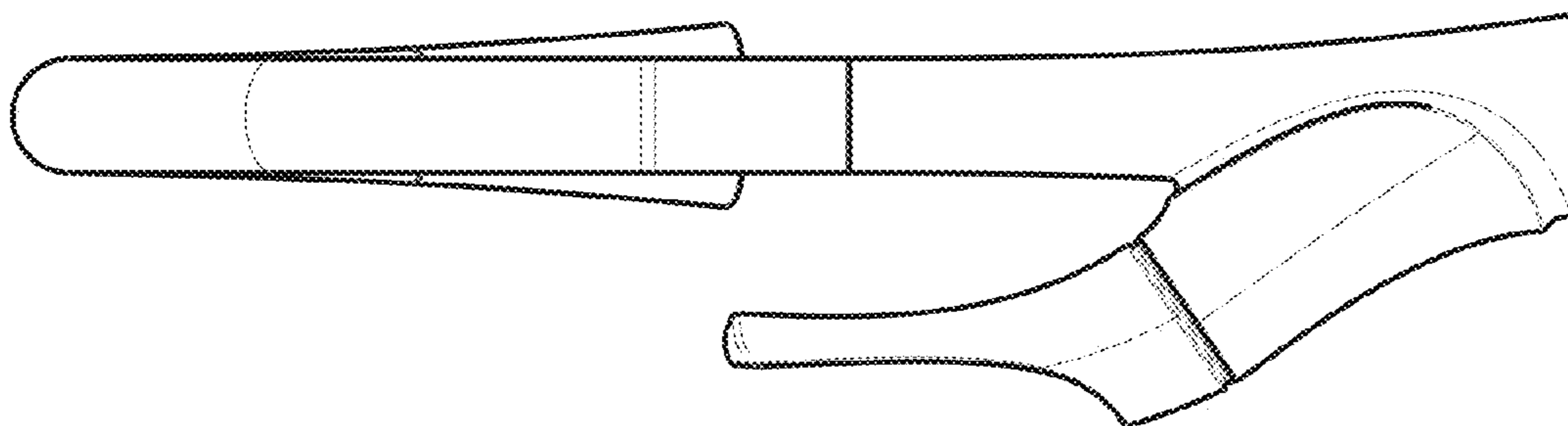


Fig. 5

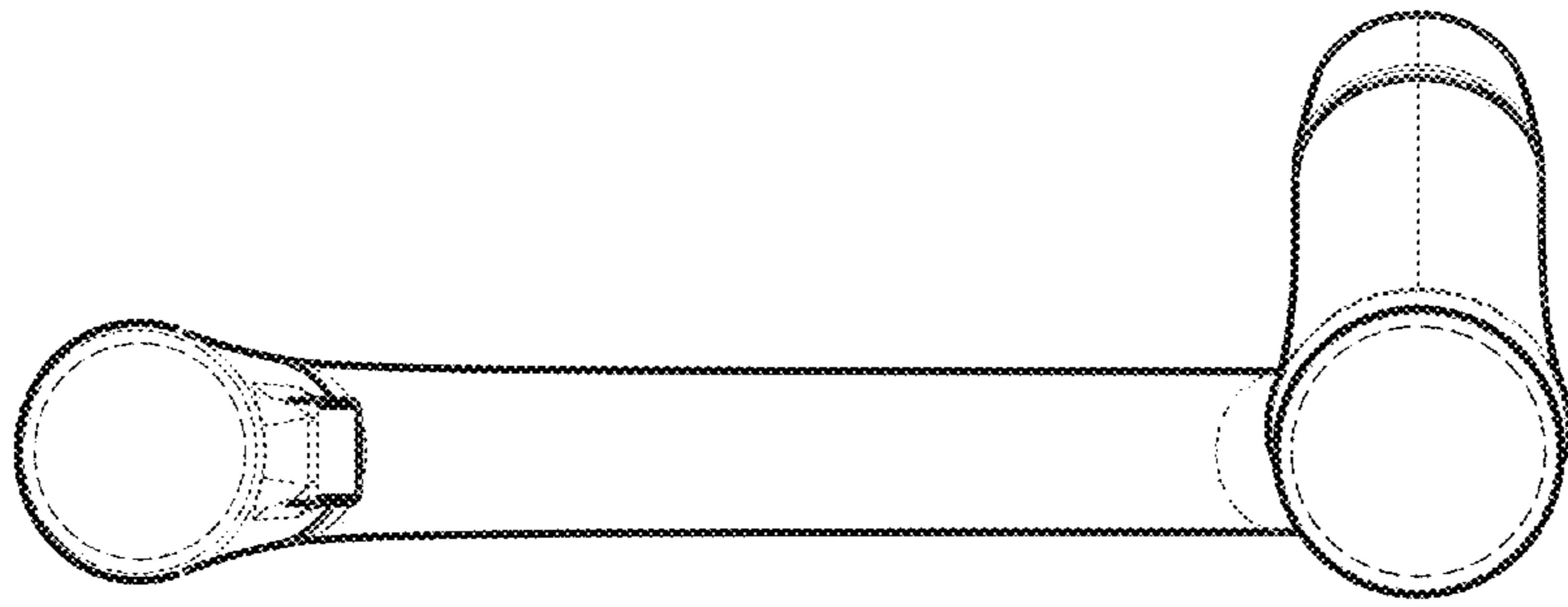


Fig. 8

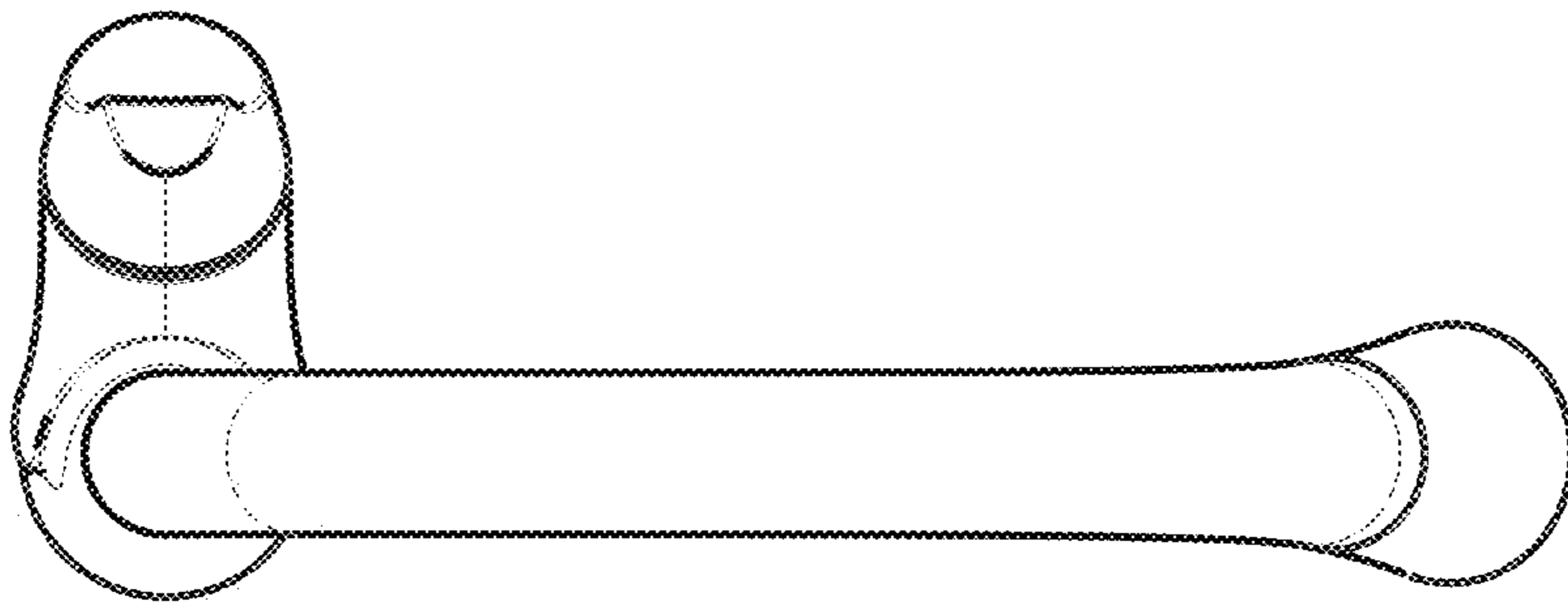


Fig 7