



US00D877294S

(12) **United States Design Patent**
Johnston et al.

(10) **Patent No.:** **US D877,294 S**
(45) **Date of Patent:** **** Mar. 3, 2020**

(54) **SPRAYER GUN**

(71) Applicant: **Graco Minnesota Inc.**, Minneapolis, MN (US)

(72) Inventors: **Justin G. Johnston**, Rogers, MN (US);
Brian M. Mulgrew, St. Francis, MN (US)

(73) Assignee: **Graco Minnesota Inc.**, Minneapolis, MN (US)

(**) Term: **15 Years**

(21) Appl. No.: **29/671,635**

(22) Filed: **Nov. 28, 2018**

(51) **LOC (12) Cl.** **23-01**

(52) **U.S. Cl.**
USPC **D23/226; D23/223; D23/213**

(58) **Field of Classification Search**
USPC D23/213, 214, 215, 223, 224, 226, 229,
D23/230

CPC A61H 9/0021; A61H 33/00; B05B 1/00;
B05B 1/14; B05B 1/185; B05B 1/08;
B05B 1/02; B05B 1/26; B05B 12/002;
B05B 1/18; B05B 9/01

See application file for complete search history.

(56) **References Cited**

U.S. PATENT DOCUMENTS

D405,503 S *	2/1999	Endo	D23/226
D457,599 S *	5/2002	Karwoski	D23/226
D545,943 S *	7/2007	Rodgers	D23/226
D575,374 S *	8/2008	Huang	D23/226
D578,603 S *	10/2008	Khaitov	D23/213
D588,231 S *	3/2009	Pellin	D23/213
D607,086 S *	12/2009	Kosaka	D23/226
D672,012 S *	12/2012	Brose	D23/226
D704,300 S *	5/2014	Li	D23/225
D725,743 S *	3/2015	Richter	D23/226

D727,466 S *	4/2015	Richter	D23/226
D757,216 S *	5/2016	Gehrung	D23/225
9,433,953 B2 *	9/2016	Ghesla	B05B 5/03
D770,593 S *	11/2016	Gehrung	D23/226
D778,405 S *	2/2017	Wang	D23/226
D794,755 S *	8/2017	Wang	D23/226
D800,868 S *	10/2017	Crenshaw	D23/226
D801,477 S *	10/2017	Mazur	D23/226
D803,353 S *	11/2017	Negri	D23/226
D812,718 S *	3/2018	Kosaka	D23/226
D821,545 S *	6/2018	Gehrung	D23/226
D830,506 S *	10/2018	Gehrung	D23/223
D831,792 S *	10/2018	Gehrung	D23/223
D835,235 S *	12/2018	Gehrung	D23/226
D854,123 S *	7/2019	Becker	D23/226
D858,698 S *	9/2019	Arino	D23/213
D861,130 S *	9/2019	Carls	D23/226

(Continued)

OTHER PUBLICATIONS

First Indian Exam Report for IN Application No. 318118-001,
Dated Jun. 28, 2019, pp. 2.

(Continued)

Primary Examiner — Manpreet S Matharu

Assistant Examiner — Keith J Wilson

(74) *Attorney, Agent, or Firm* — Kinney & Lange, P.A.

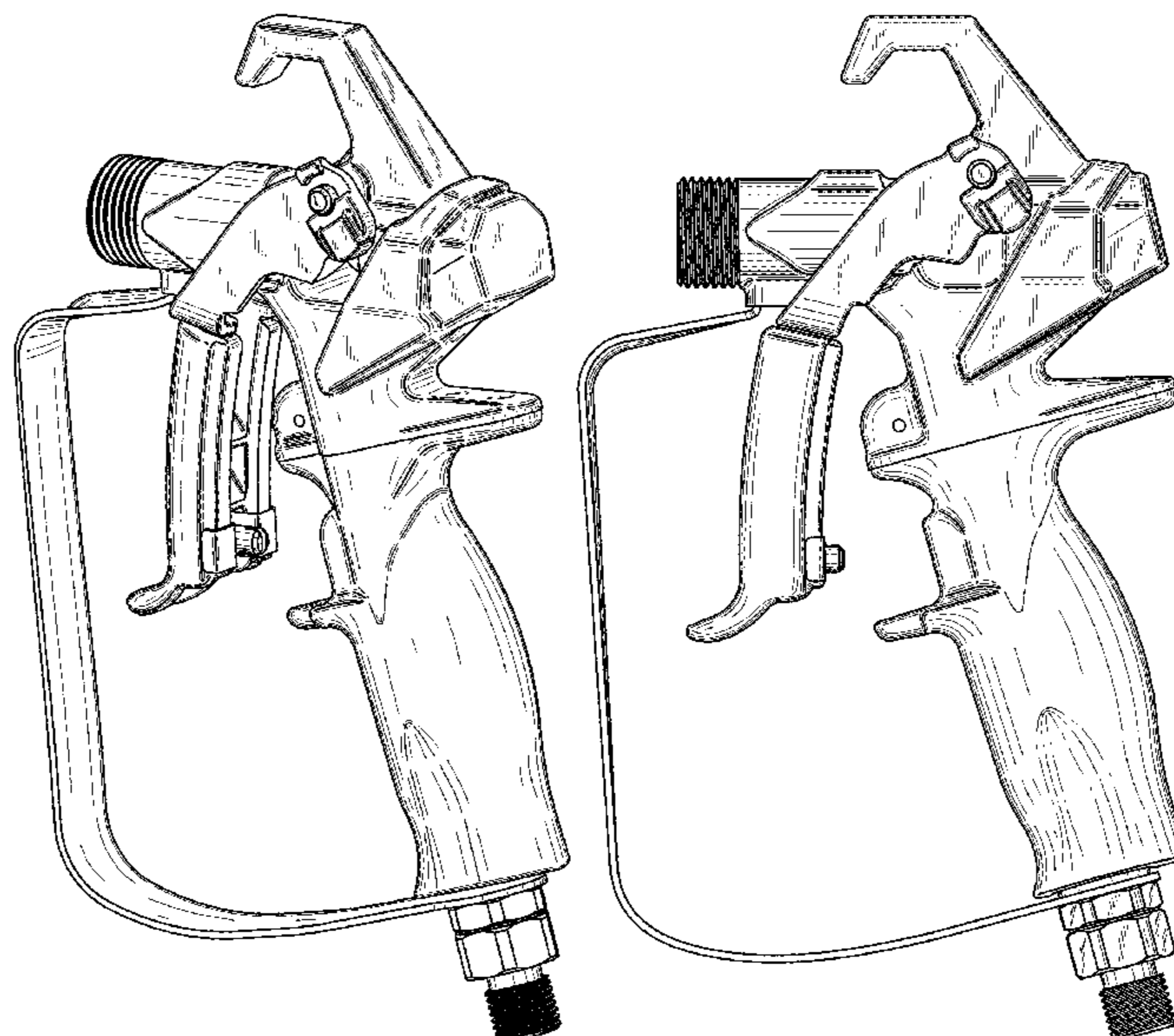
(57) **CLAIM**

The ornamental design for a sprayer gun, as shown and described.

DESCRIPTION

FIG. 1 is a perspective view of a sprayer gun;
FIG. 2 is a front elevational view of a sprayer gun;
FIG. 3 is a rear elevational view of a sprayer gun;
FIG. 4 is a left side view of a sprayer gun;
FIG. 5 is a right side view of a sprayer gun;
FIG. 6 is a top plan view of a sprayer gun; and,
FIG. 7 is a bottom plan view of a sprayer gun.

1 Claim, 5 Drawing Sheets



(56)

References Cited

U.S. PATENT DOCUMENTS

2015/0017327 A1* 1/2015 Myers B05B 7/1209
427/207.1
2017/0231212 A1* 8/2017 Crenshaw A01M 7/0046
239/11
2019/0299233 A1* 10/2019 Johnston B05B 12/002

OTHER PUBLICATIONS

First Indian Exam for IN Application No. 318117-001, Dated Jun. 28, 2019, pp. 2.

<https://myjualomatic.co/harga-3600psi-high-pressure-airless-paint-spray-gun-spray-tip-nozzle-seat-for-paint-latex-sprayer-spraying-machine-price-in-malaysia> (Year:2019).

* cited by examiner

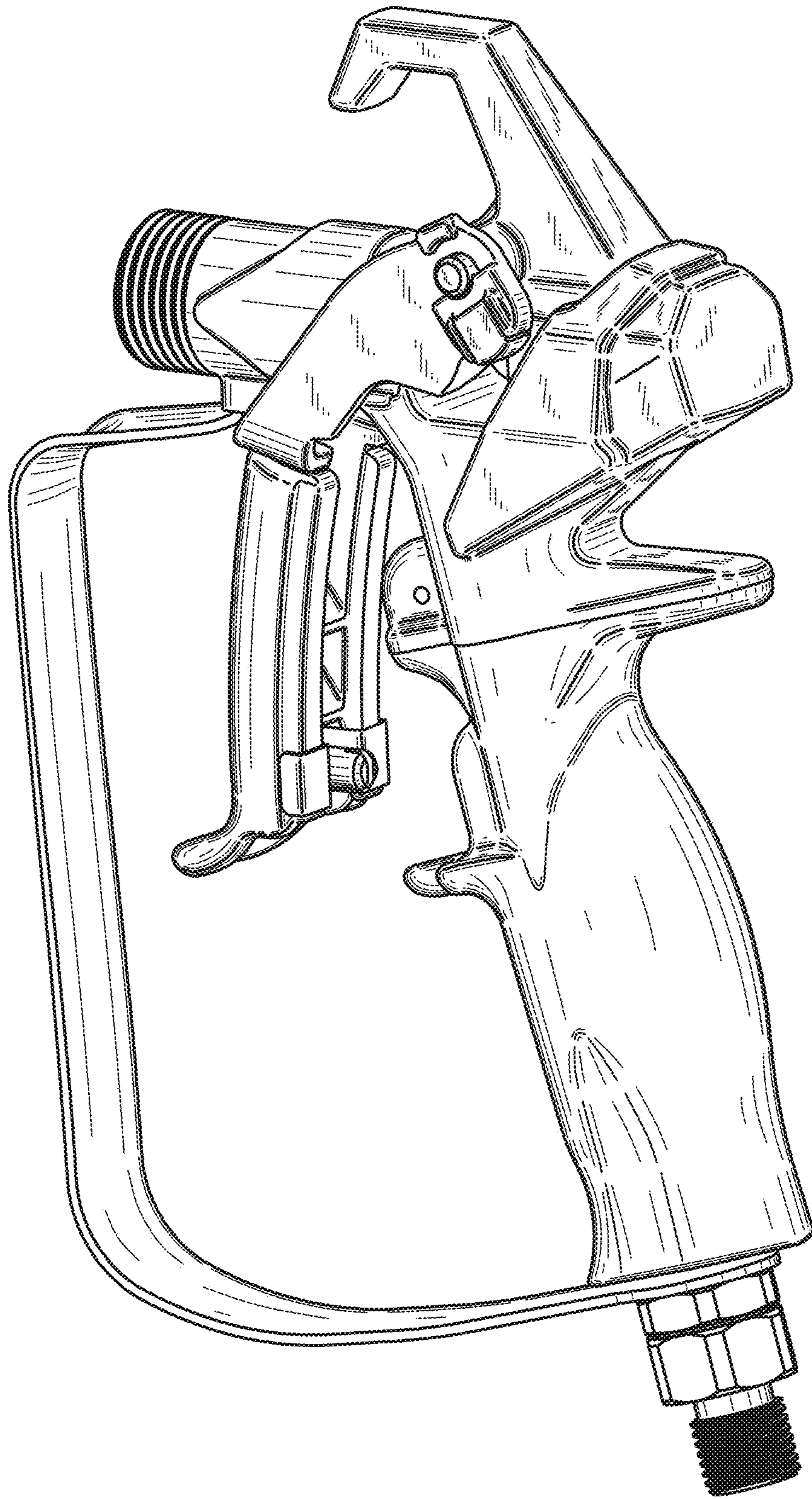


Fig. 1

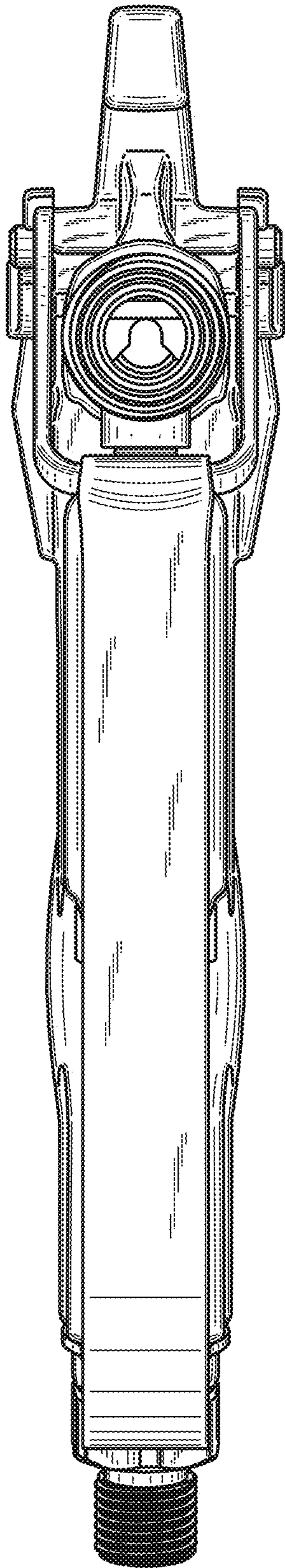


Fig. 2

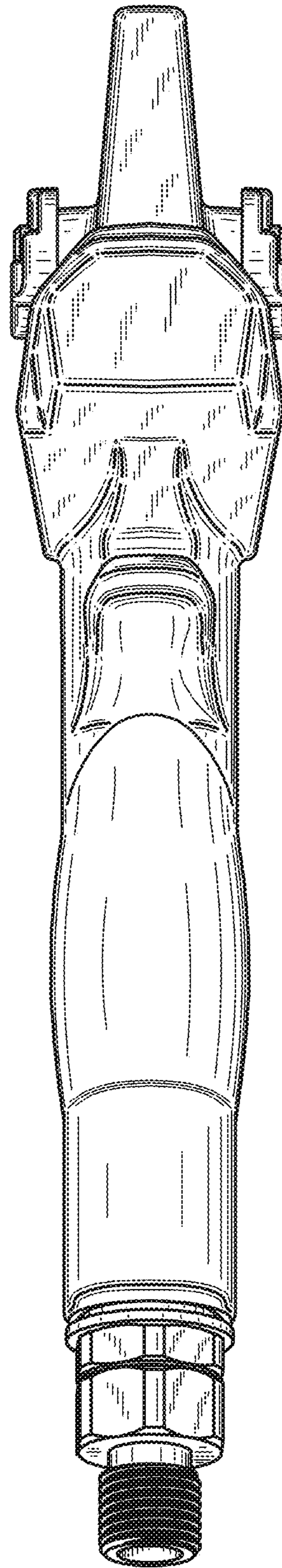


Fig. 3

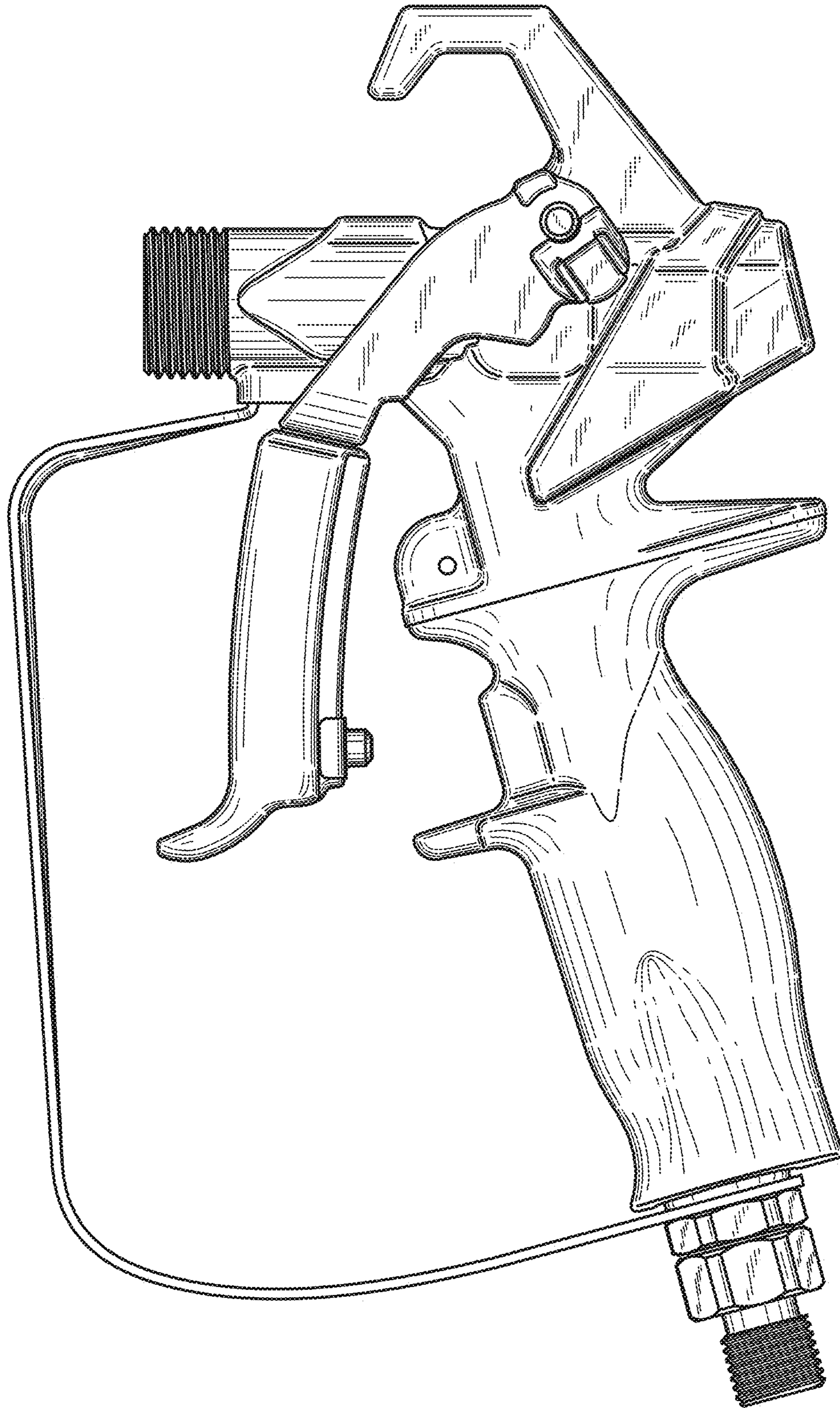


Fig. 4

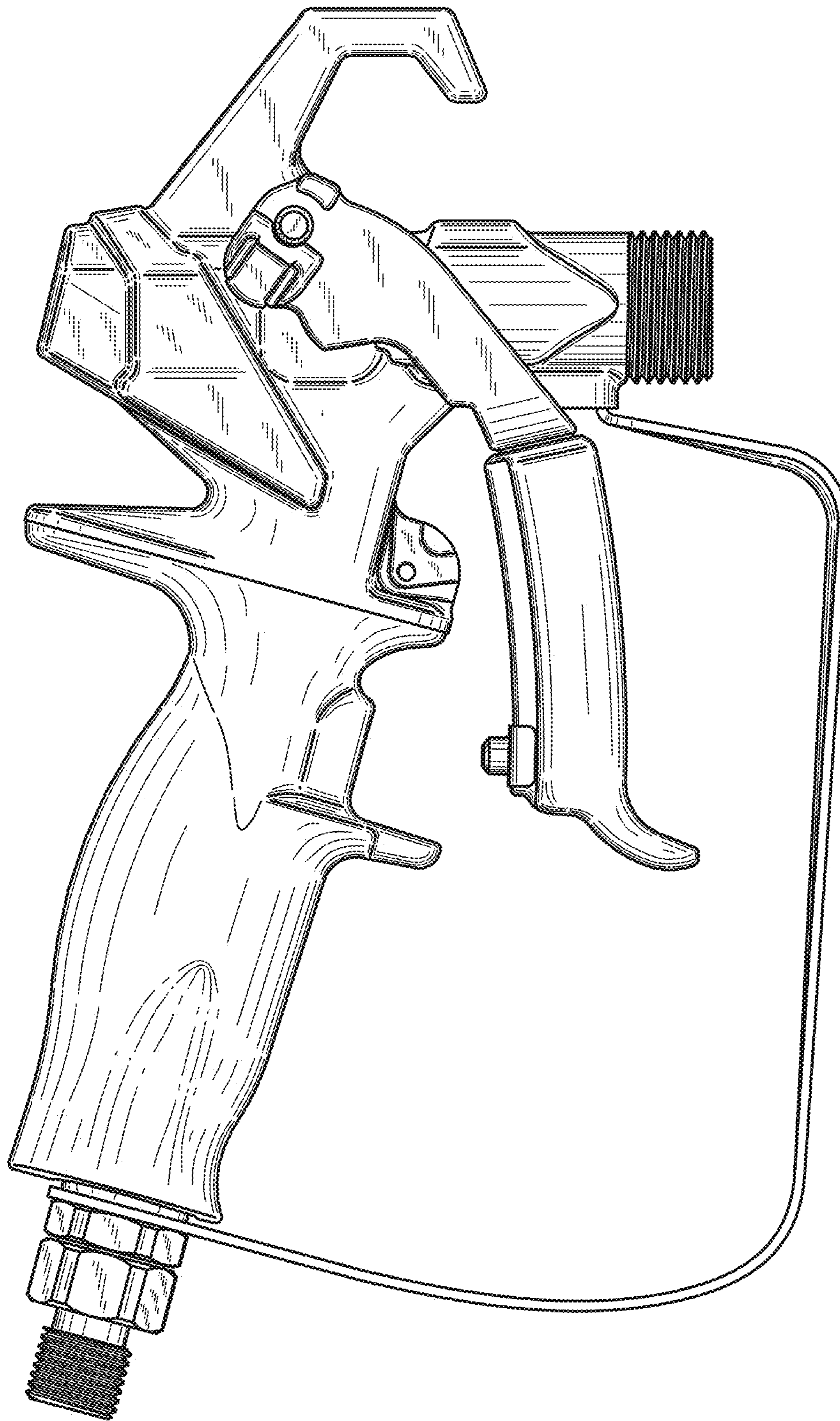


Fig. 5

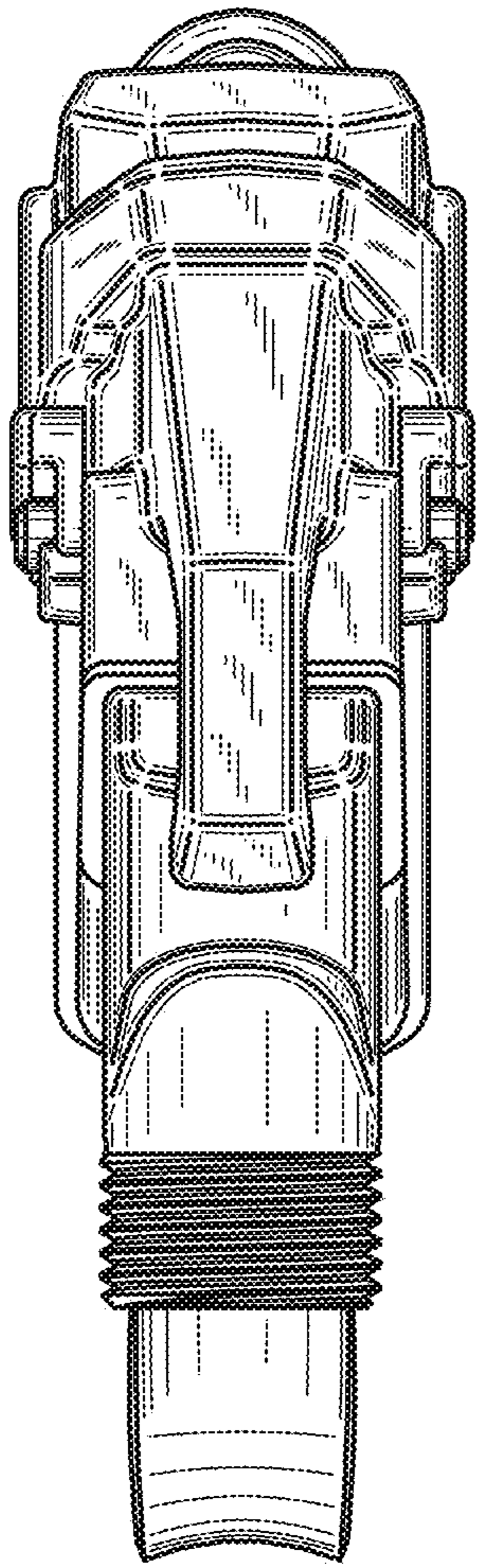


Fig. 6

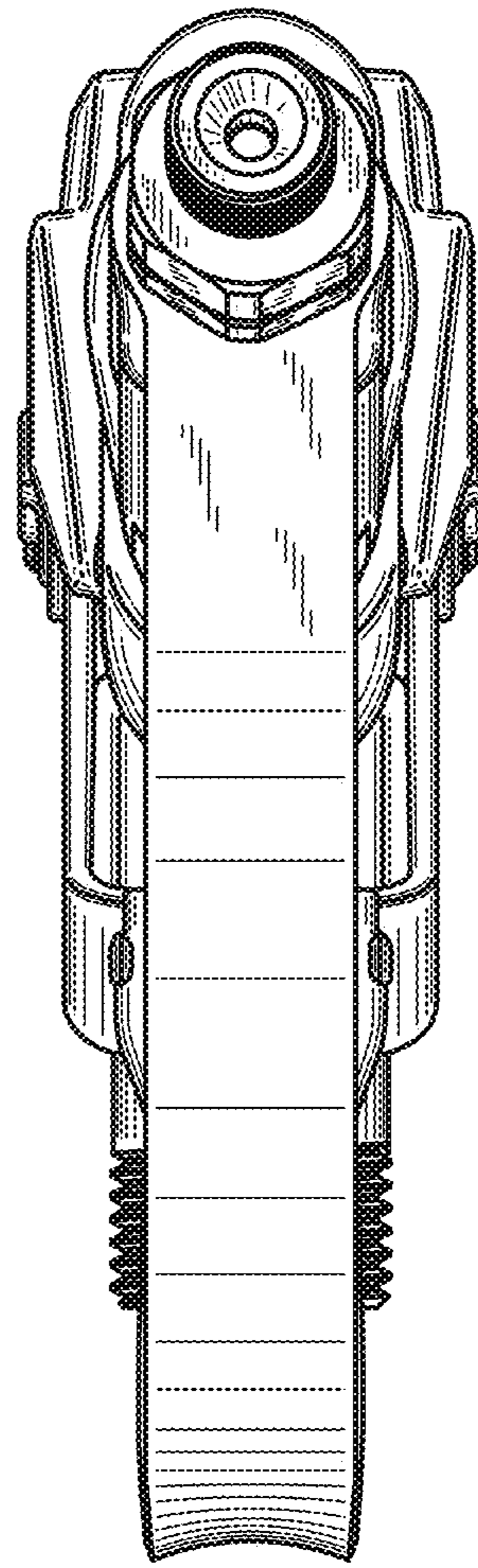


Fig. 7