



US00D877293S

(12) **United States Design Patent** (10) **Patent No.:** **US D877,293 S**  
**Lin** (45) **Date of Patent:** **\*\* Mar. 3, 2020**

(54) **SHOWER**

(71) Applicant: **Liye Lin**, Fujian (CN)

(72) Inventor: **Liye Lin**, Fujian (CN)

(73) Assignee: **XIAMEN GALENPOO KITCHEN & BATHROOM TECHNOLOGY CO., LTD.**, Xiamen (CN)

(\*\*) Term: **15 Years**

(21) Appl. No.: **29/672,182**

(22) Filed: **Dec. 4, 2018**

(51) **LOC (12) Cl.** ..... **23-01**

(52) **U.S. Cl.**  
USPC ..... **D23/213; D23/223**

(58) **Field of Classification Search**  
USPC ..... D23/213, 214, 215, 223, 224, 226, 229, D23/230

CPC ..... A61H 9/0021; A61H 33/00; B05B 1/00; B05B 1/14; B05B 1/185; B05B 1/08; B05B 1/02; B05B 1/26; B05B 12/002; B05B 1/18; B05B 9/01

See application file for complete search history.

(56) **References Cited**

**U.S. PATENT DOCUMENTS**

D313,267 S \* 12/1990 Lenci ..... D23/213  
D357,972 S \* 5/1995 Huen ..... D23/223  
D564,621 S \* 3/2008 Lammel ..... D23/223  
D580,010 S \* 11/2008 Lee ..... D23/213  
7,837,133 B2 \* 11/2010 Zhou ..... B05B 1/185  
239/392  
D668,320 S \* 10/2012 Weihreter ..... D23/213  
D674,046 S \* 1/2013 Berger ..... D23/223

D723,137 S \* 2/2015 Nikles ..... D23/223  
9,326,484 B2 \* 5/2016 Allen ..... A01K 13/001  
D760,348 S \* 6/2016 McCutcheon ..... D23/213  
D761,935 S \* 7/2016 McCutcheon ..... D23/213  
D810,233 S \* 2/2018 Winter ..... D23/213  
D832,398 S \* 10/2018 Lin ..... D23/223  
D841,126 S \* 2/2019 Lai ..... D23/223  
D855,759 S \* 8/2019 Winter ..... D23/223  
D861,830 S \* 10/2019 Quinn ..... D23/223

**OTHER PUBLICATIONS**

<https://www.kickstarter.com/projects/nebia/nebia-spa-shower-20-better-for-you-better-for-the> (Year: 2019).\*

\* cited by examiner

*Primary Examiner* — Manpreet S Matharu  
*Assistant Examiner* — Keith J Wilson

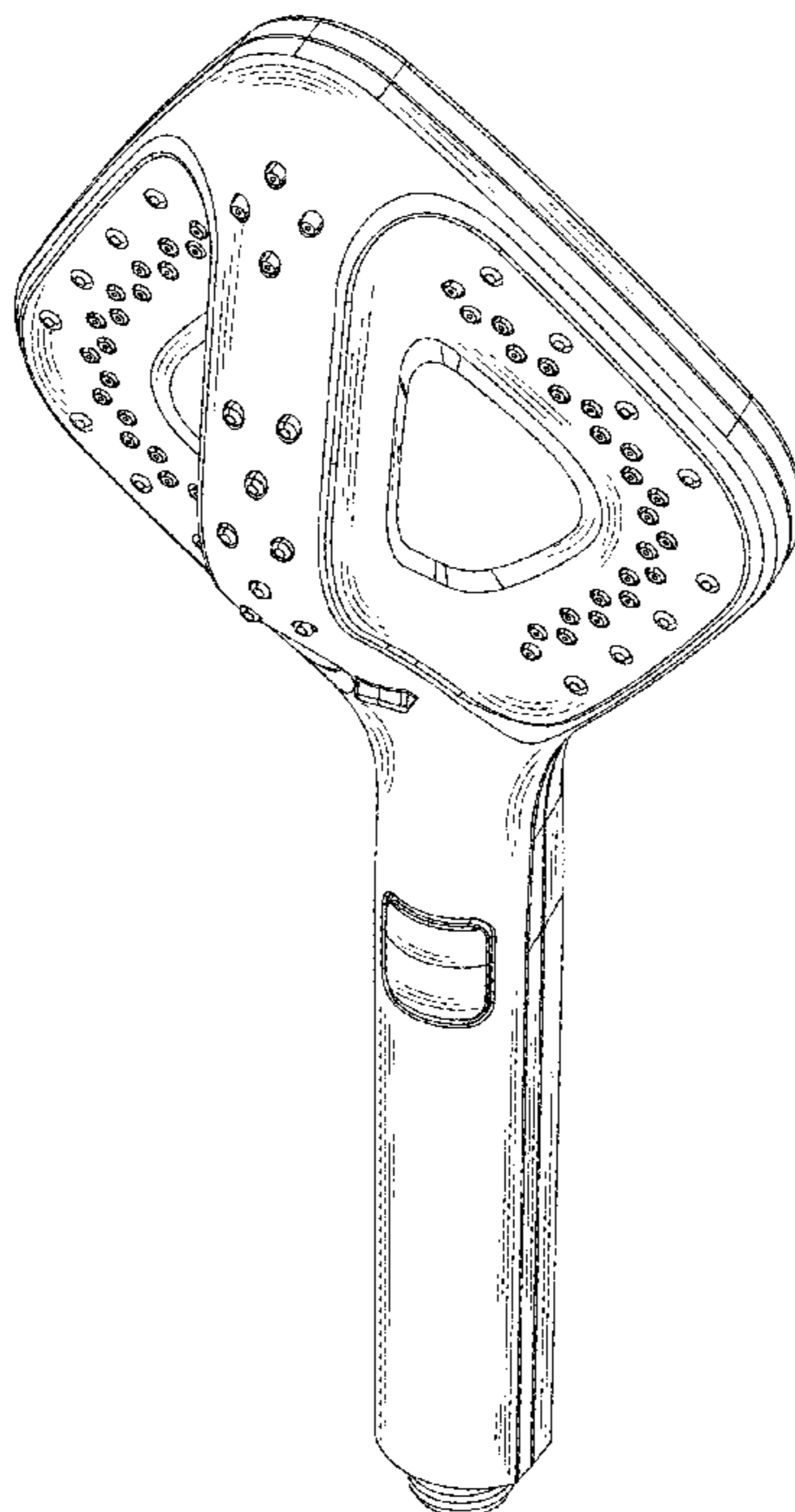
(57) **CLAIM**

The ornamental design for a shower, as shown and described.

**DESCRIPTION**

FIG. 1 is a perspective view of a shower showing my new design;  
FIG. 2 is a front elevation view thereof;  
FIG. 3 is a rear elevation view thereof;  
FIG. 4 is a left side elevation view thereof;  
FIG. 5 is a right side elevation view thereof;  
FIG. 6 is a top plan view thereof; and,  
FIG. 7 is a bottom plan view thereof.

**1 Claim, 7 Drawing Sheets**



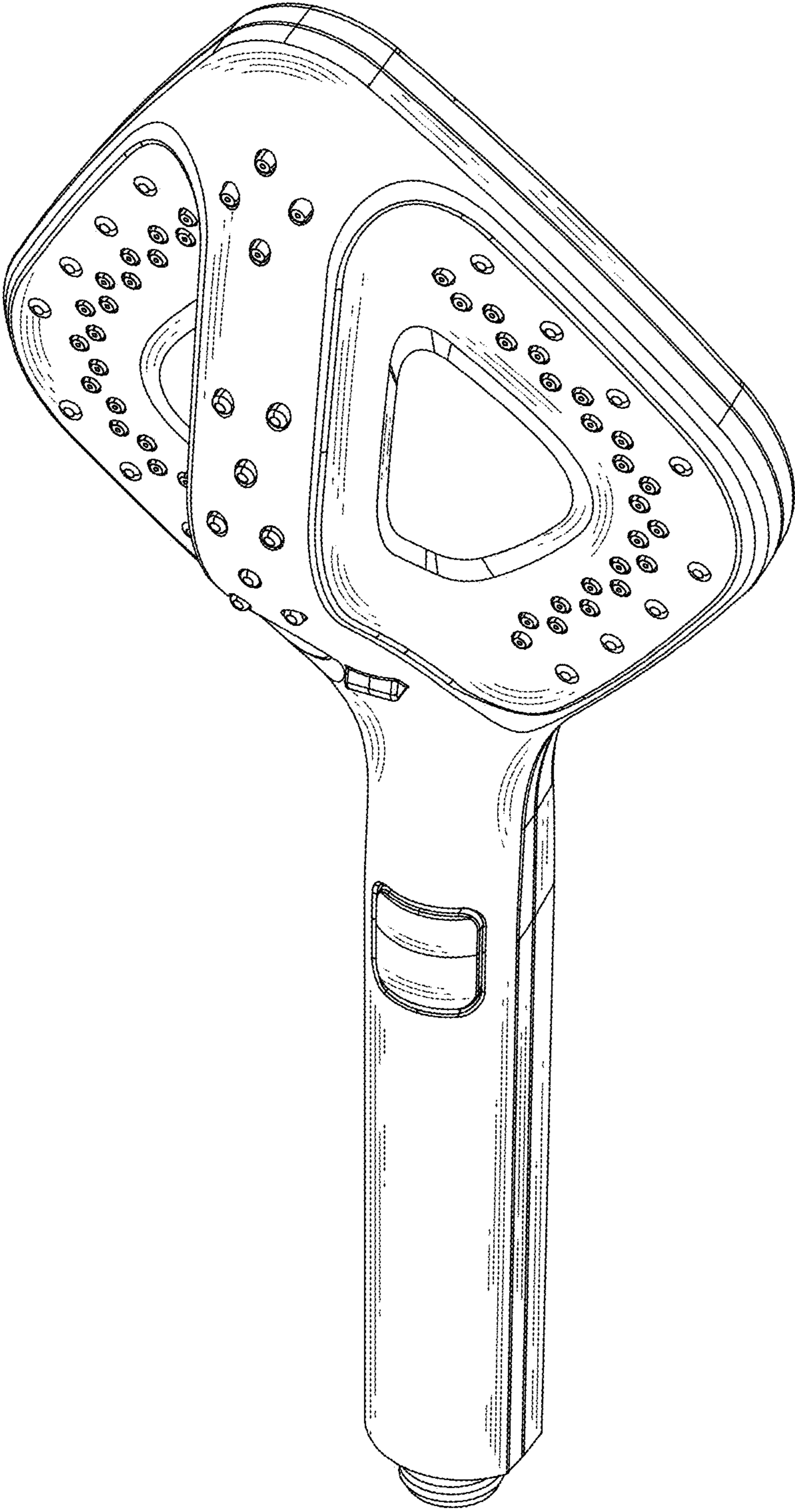


FIG. 1

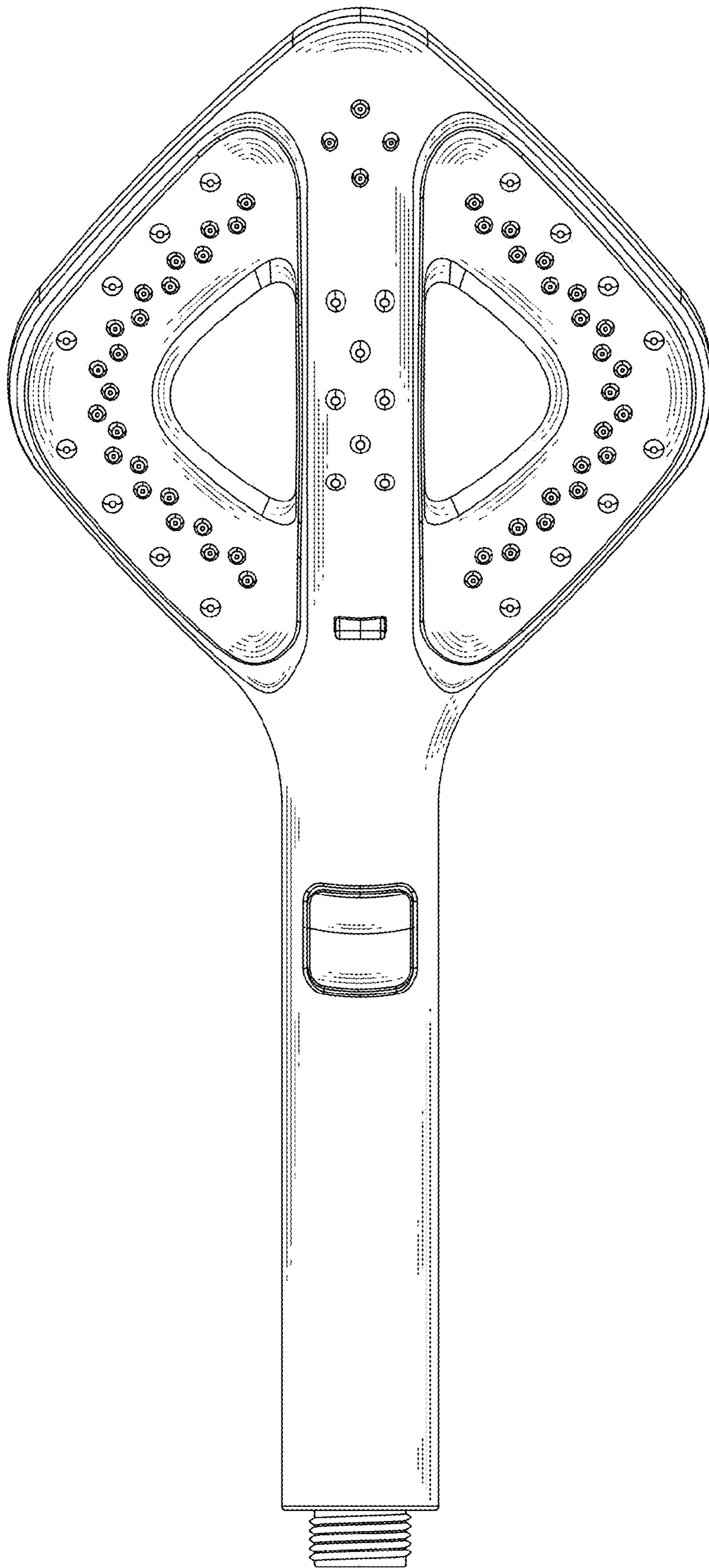


FIG. 2

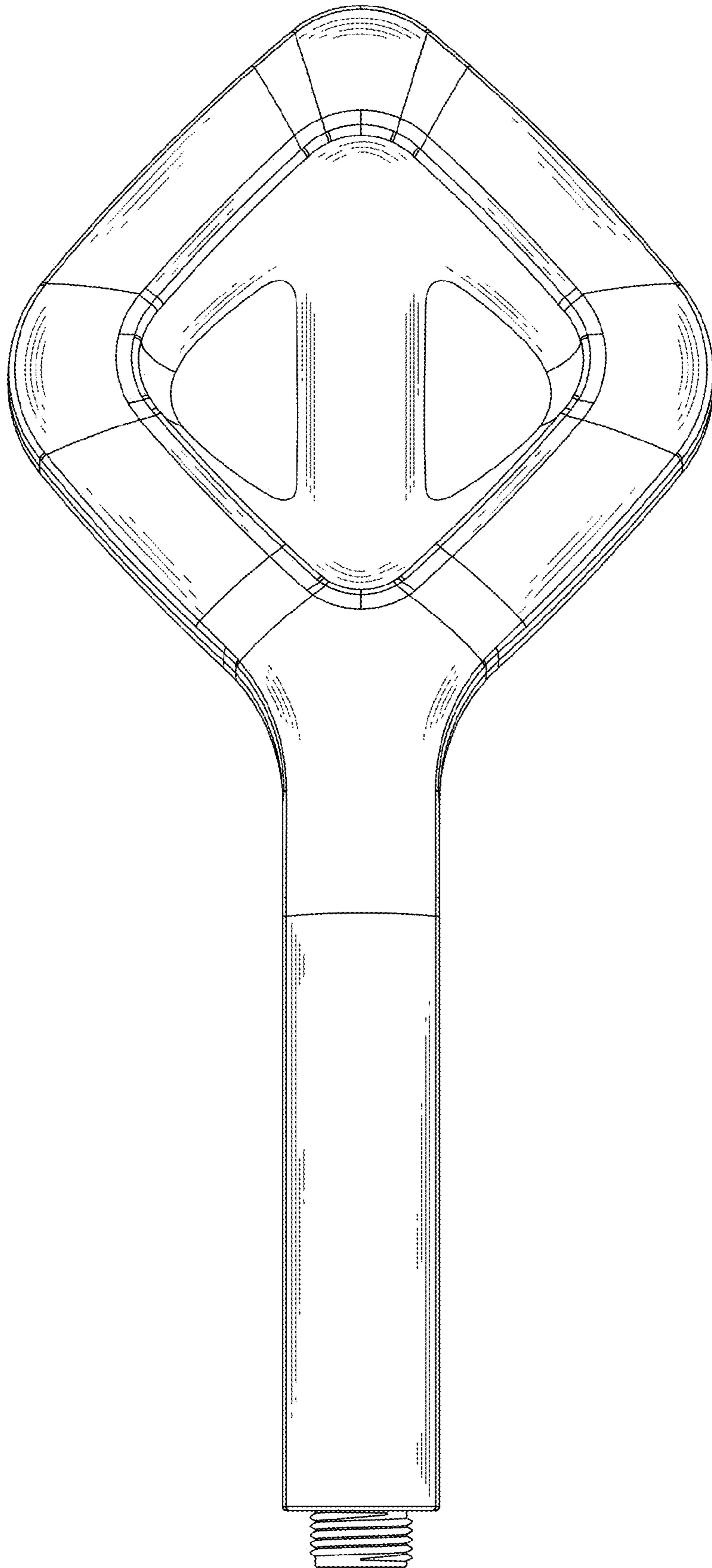


FIG. 3

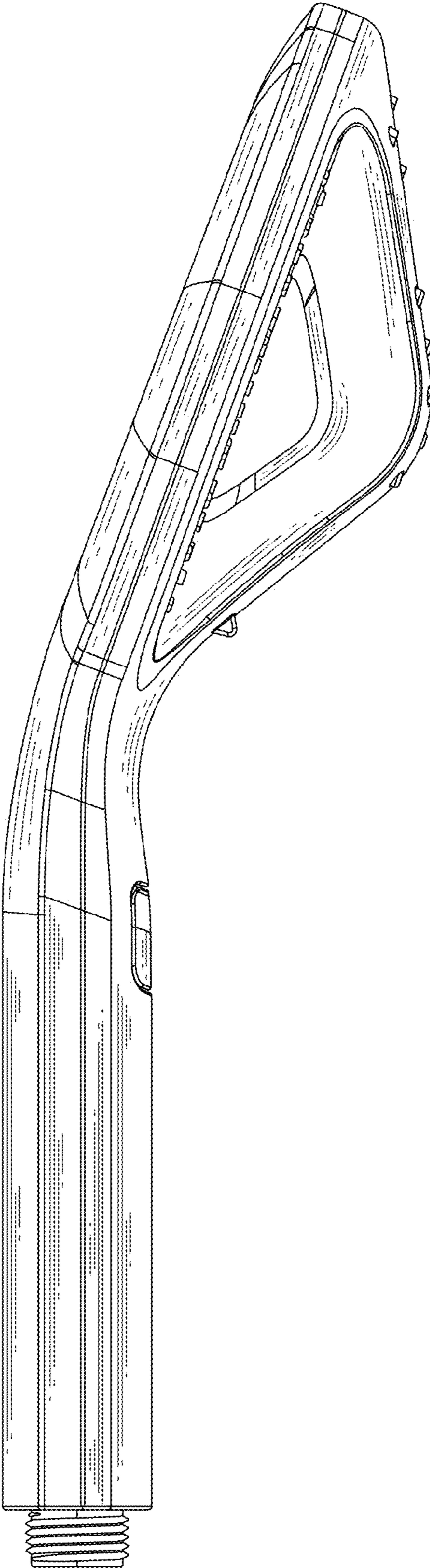


FIG. 4

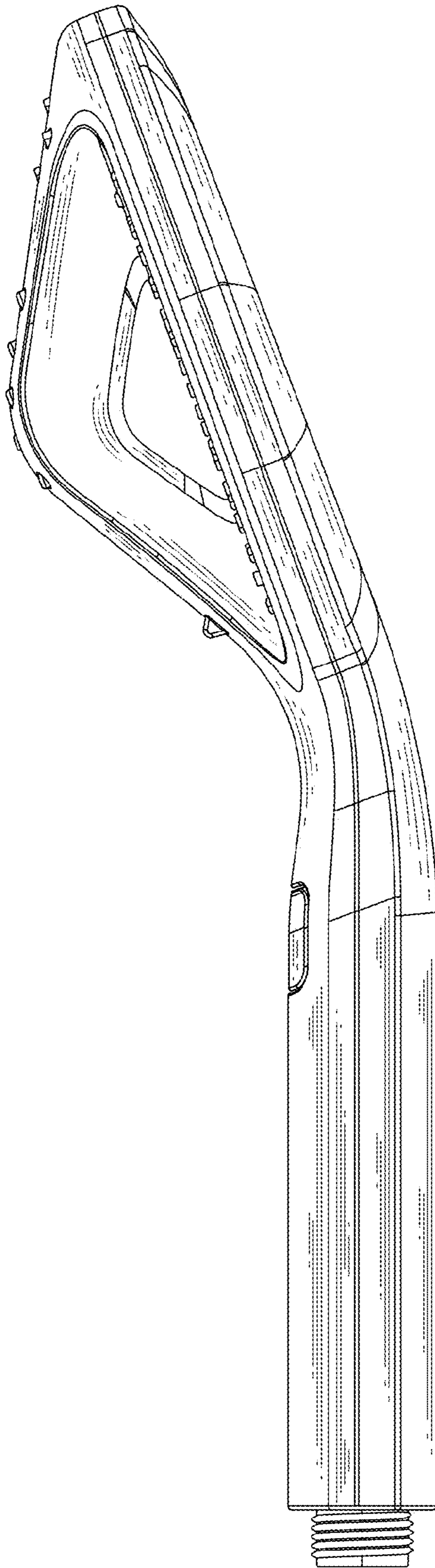


FIG. 5

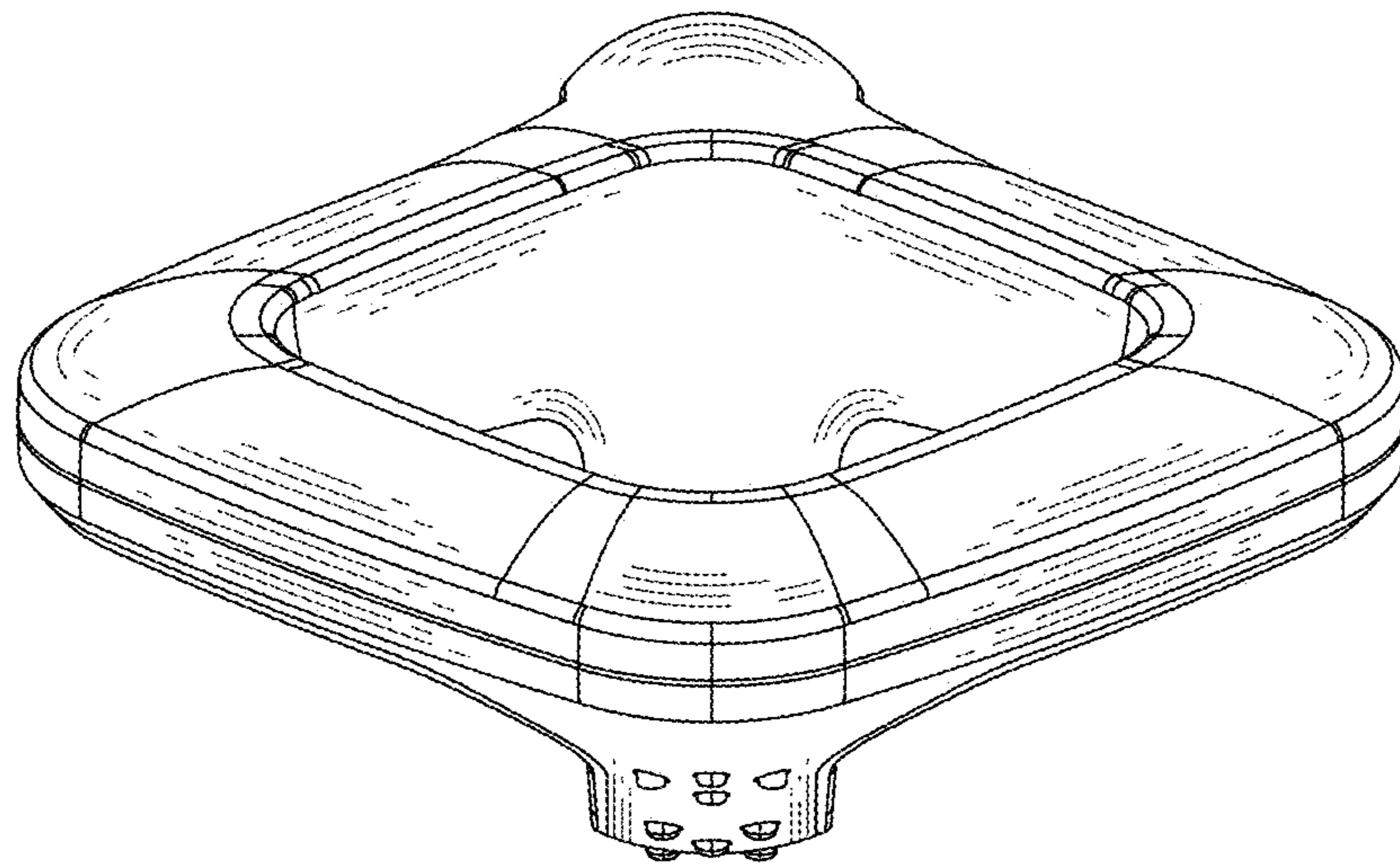


FIG. 6

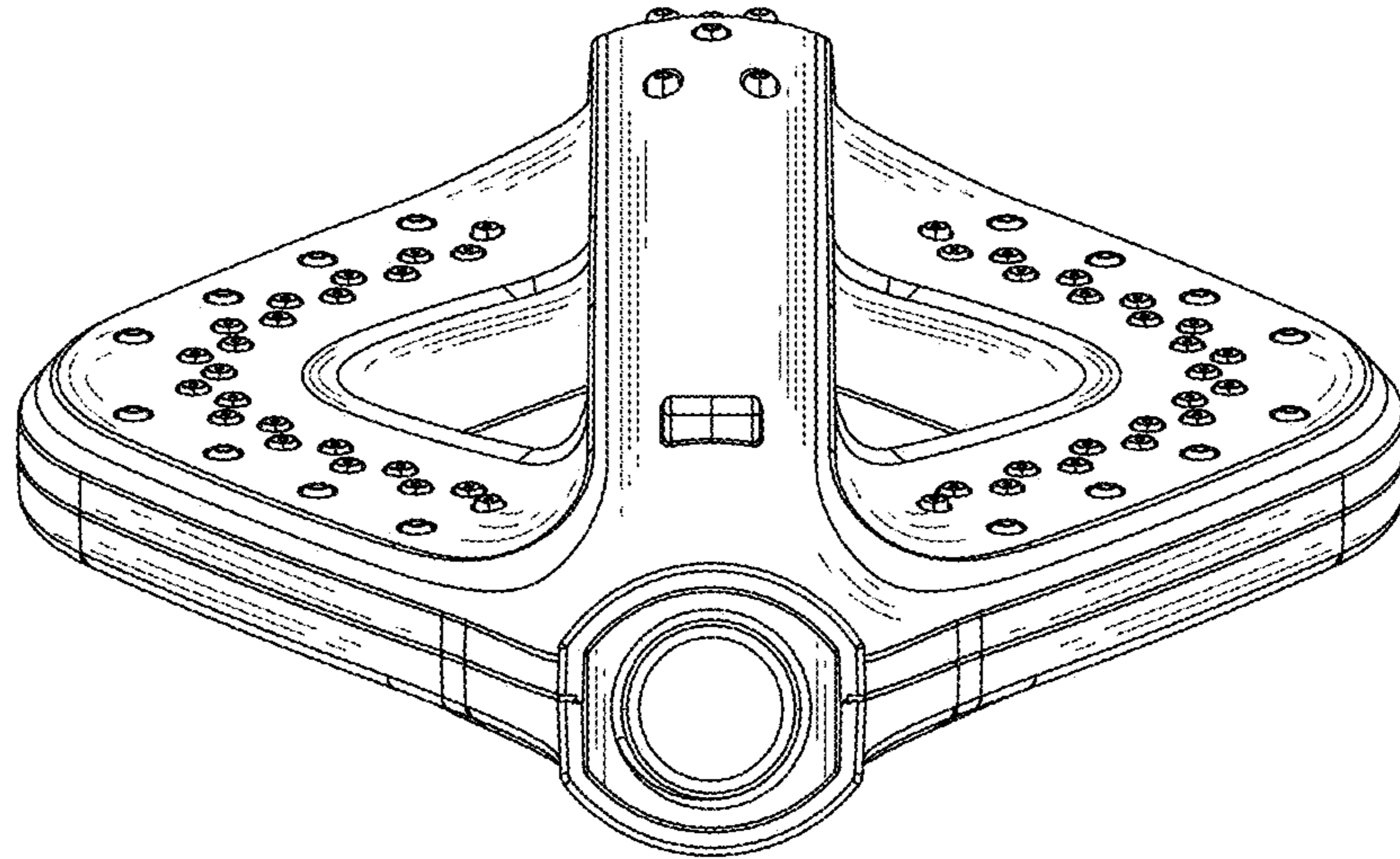


FIG. 7