



US00D877292S

(12) **United States Design Patent**
Müller

(10) **Patent No.:** **US D877,292 S**
(45) **Date of Patent:** **** Mar. 3, 2020**

- (54) **TOILET RIM CAGE**
- (71) Applicant: **TOMIL S.R.O.**, Vysoke Myto (CZ)
- (72) Inventor: **Tomas Müller**, Hradec Kralove (CZ)
- (73) Assignee: **TOMIL S.R.O.**, Vysoké Mýto (CZ)
- (**) Term: **15 Years**
- (21) Appl. No.: **35/504,537**
- (22) Filed: **Sep. 11, 2017**
- (80) **Hague Agreement Data**
 Int. Filing Date: **Sep. 11, 2017**
 Int. Reg. No.: **DM/099939**
 Int. Reg. Date: **Sep. 11, 2017**
 Int. Reg. Pub. Date: **Mar. 9, 2018**

D659,793 S *	5/2012	Muhlhausen	D23/208
D679,778 S *	4/2013	Gerhards	D23/208
D689,167 S *	9/2013	Gerhards	D23/208
D720,427 S *	12/2014	Wang	D23/208
D722,154 S *	2/2015	Muller	D23/368
D762,810 S *	8/2016	Venini	D23/208
D787,631 S *	5/2017	Gerhards	D23/208
D787,633 S *	5/2017	Gerhards	D23/208
D788,260 S *	5/2017	Gerhards	D23/208
D789,485 S *	6/2017	Hale	D23/208
D789,487 S *	6/2017	Gerhards	D23/208
D790,036 S *	6/2017	Gerhards	D23/208
D790,658 S *	6/2017	Gerhards	D23/208
D791,911 S *	7/2017	Muller	D23/208
D795,387 S *	8/2017	Gerhards	D23/208
D806,208 S *	12/2017	Gerhards	D23/208
D823,984 S *	7/2018	Muller	D23/208
D830,502 S *	10/2018	Nykowski	D23/208
D830,504 S *	10/2018	Bos	D23/208
D830,505 S *	10/2018	Bos	D23/208
D832,974 S *	11/2018	Muller	D23/208

* cited by examiner

(30) **Foreign Application Priority Data**

Mar. 24, 2017	(EM)	003822022-0001
Mar. 24, 2017	(EM)	003822022-0003
Mar. 24, 2017	(EM)	003822022-0010
Mar. 24, 2017	(EM)	003822022-0019

Primary Examiner — Richard E Chilcot

(74) *Attorney, Agent, or Firm* — The Webb Law Firm

- (51) **LOC (12) Cl.** **23-01**
- (52) **U.S. Cl.**
 USPC **D23/208**
 CPC **A61L 9/00** (2013.01)

(57) **CLAIM**

The ornamental design for a toilet rim cage, as shown and described.

- (58) **Field of Classification Search**
 USPC D23/207, 208, 366, 368
 CPC A61L 9/00; A61L 9/02; A61L 9/03; A61L 9/032; A61L 9/035; A61L 9/037; A61L 9/04; A61L 9/12; A61L 9/22; C11D 17/041; C11D 17/0056; E03D 9/032; E03D 9/037; E03D 9/038
 See application file for complete search history.

DESCRIPTION

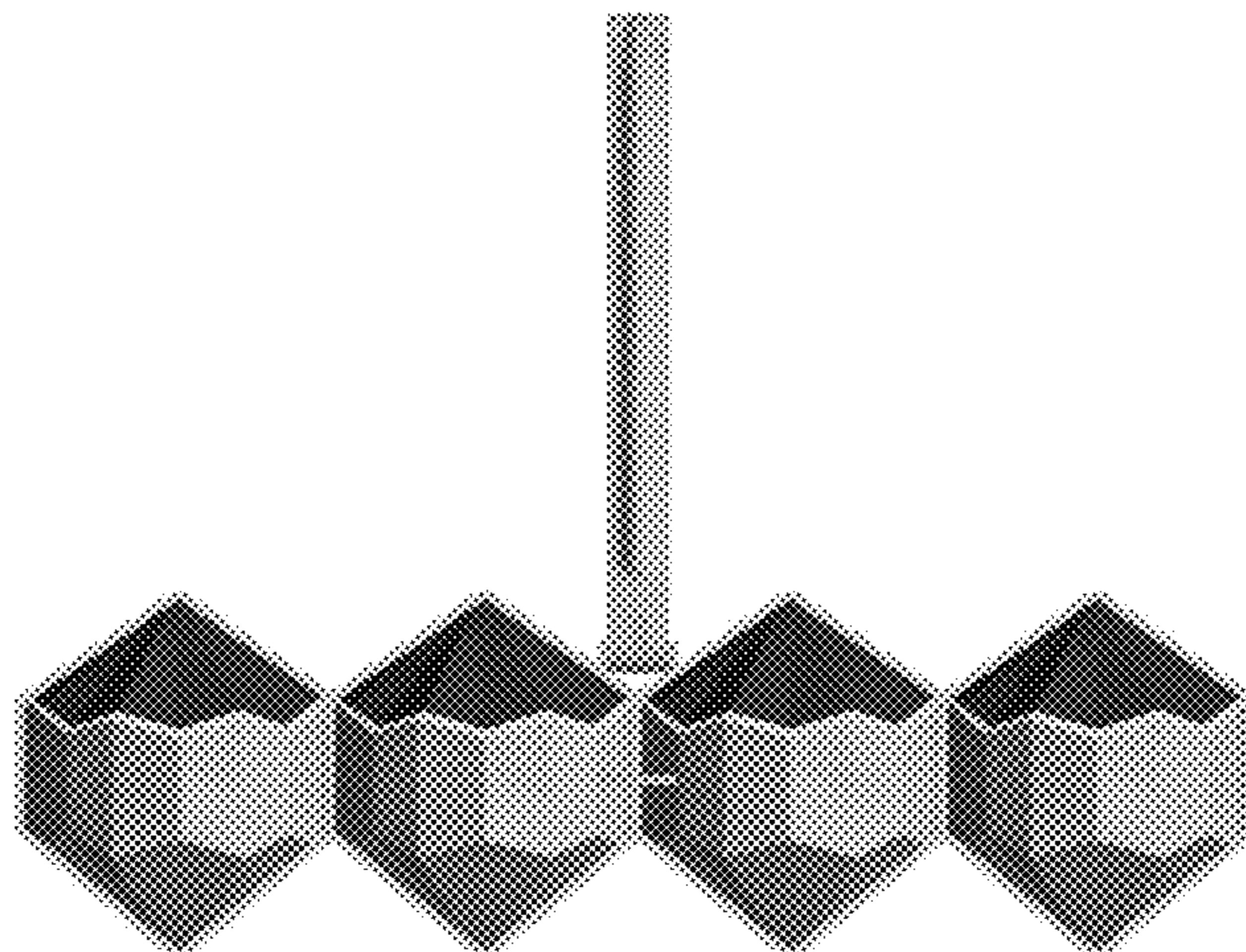
- 1.1** is a front elevation view of toilet rim cage, showing my new design;
- 1.2** is a rear elevation view thereof;
- 1.3** is a right side elevation view thereof;
- 1.4** is a left side elevation view thereof;
- 1.5** is a top view thereof;
- 1.6** is a bottom view thereof; and
- 1.7** is an upper right front perspective view thereof.

(56) **References Cited**

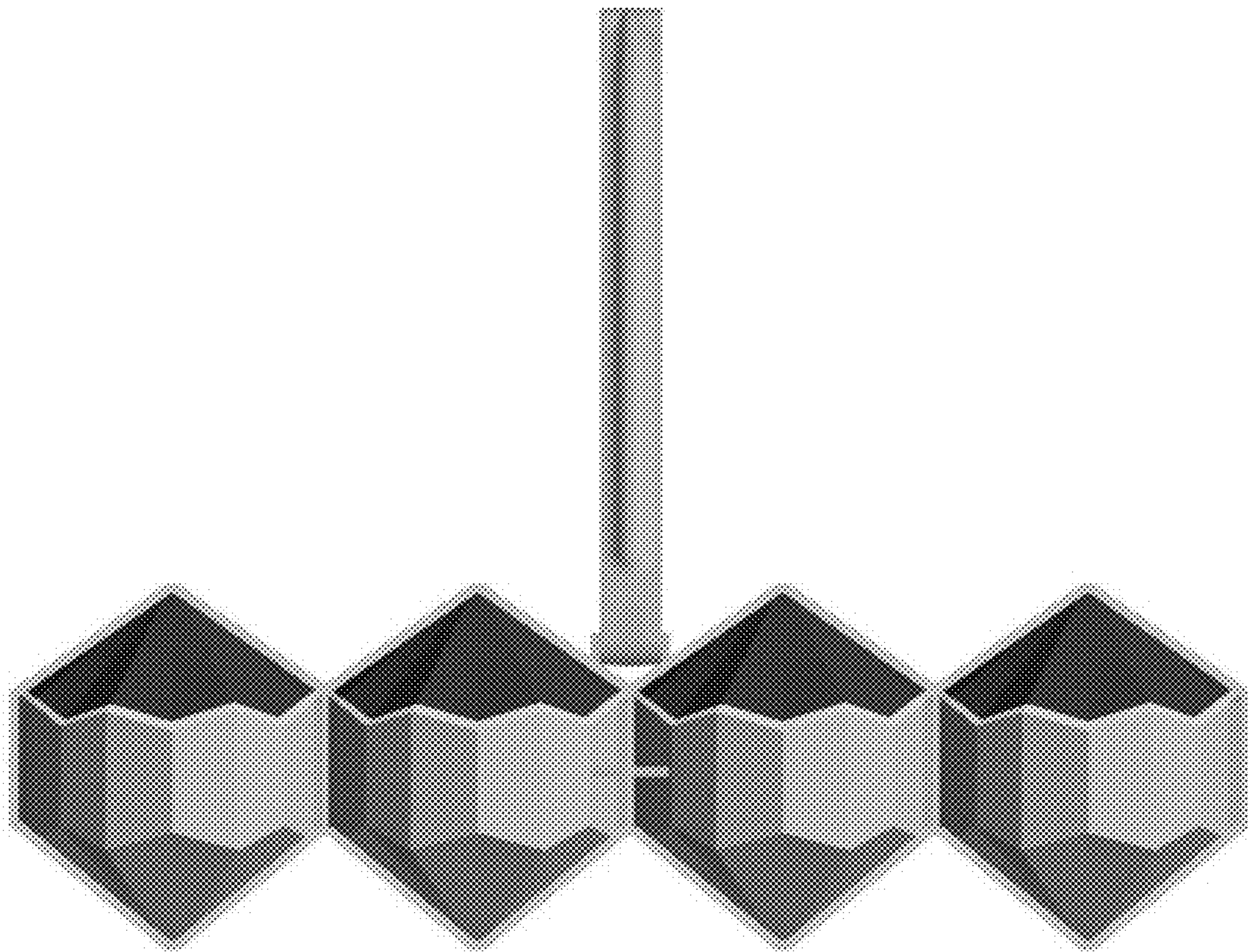
U.S. PATENT DOCUMENTS

D656,575 S *	3/2012	Muhlhausen	D23/208
D656,576 S *	3/2012	Muhlhausen	D23/208

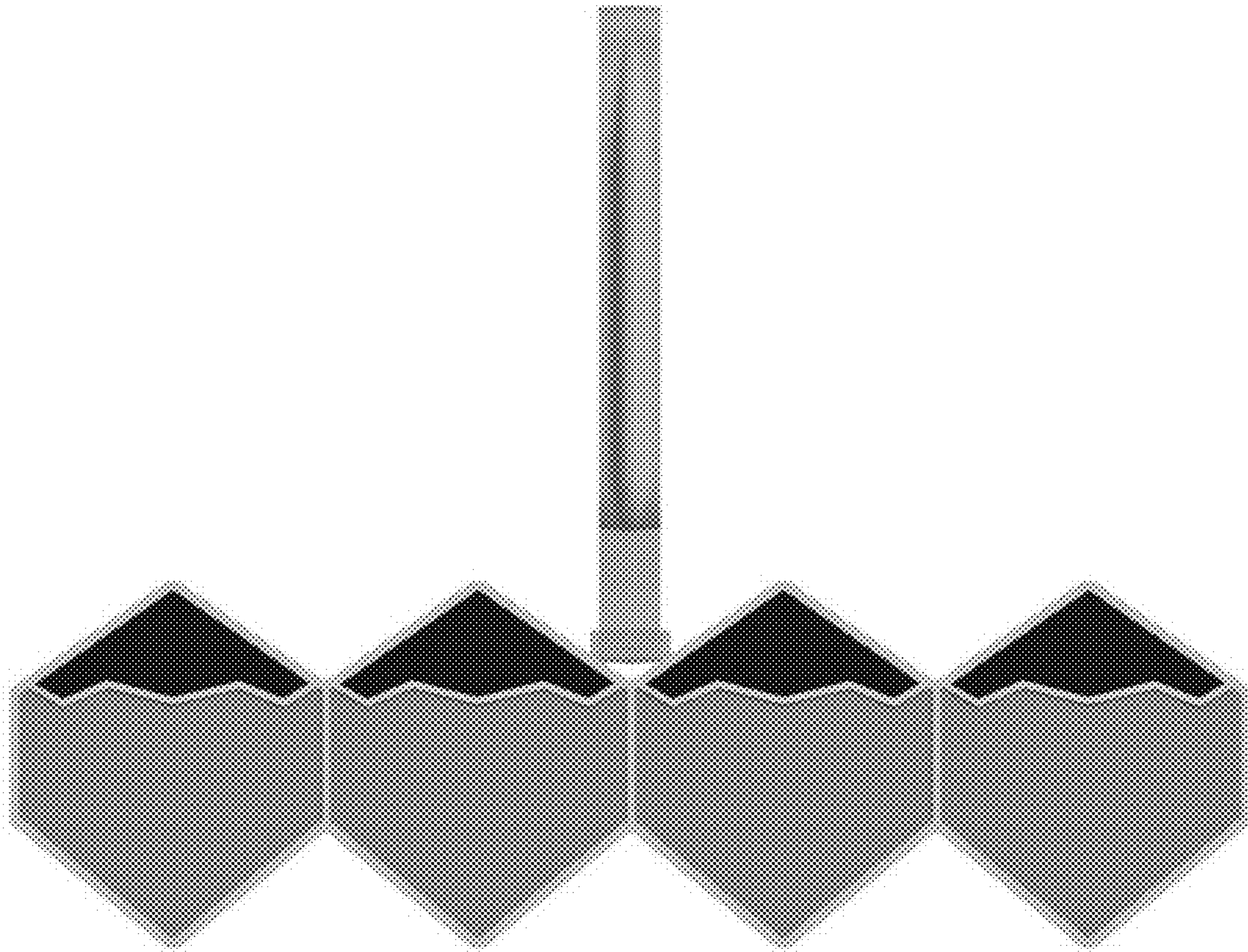
1 Claim, 7 Drawing Sheets



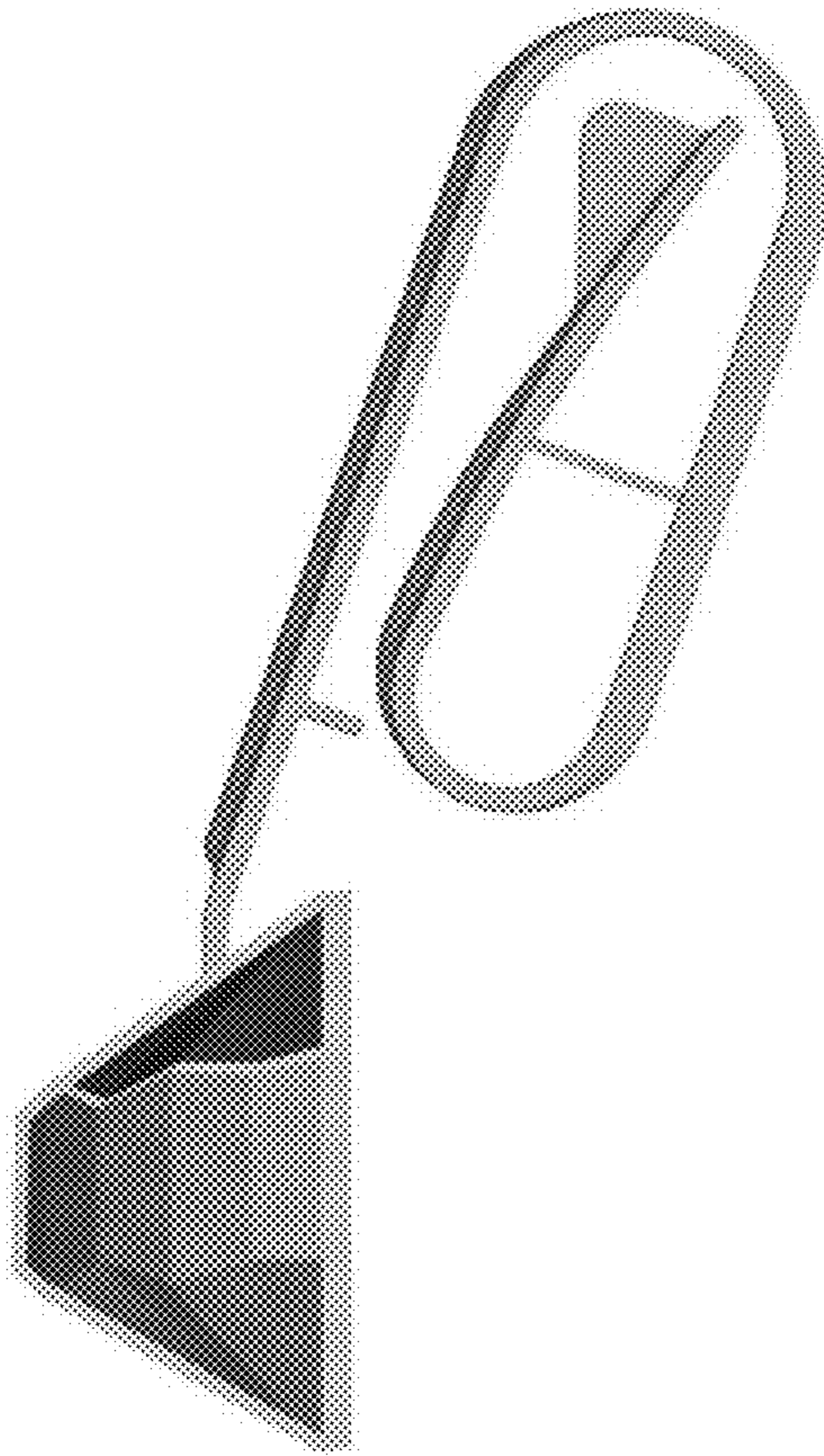
1.1



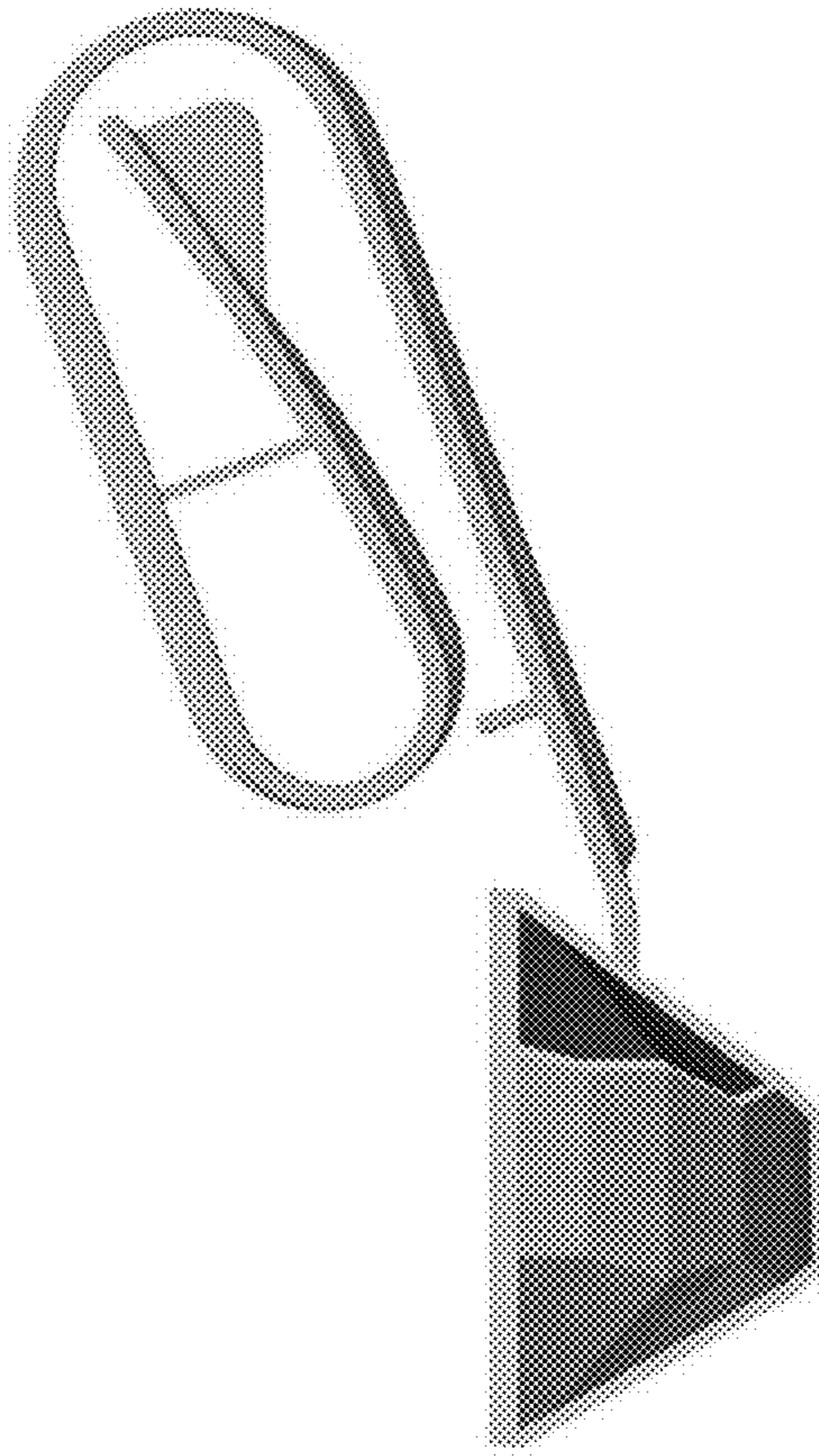
1.2



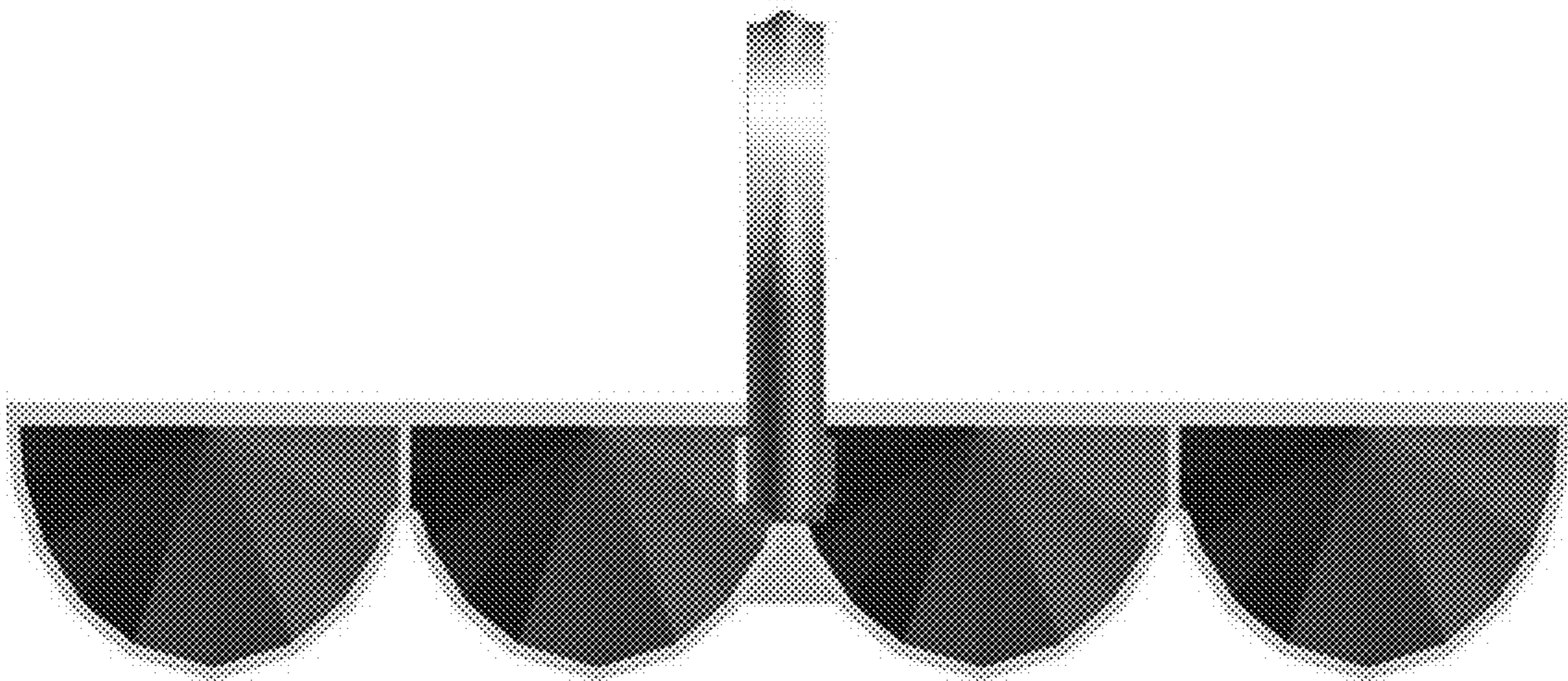
1.3



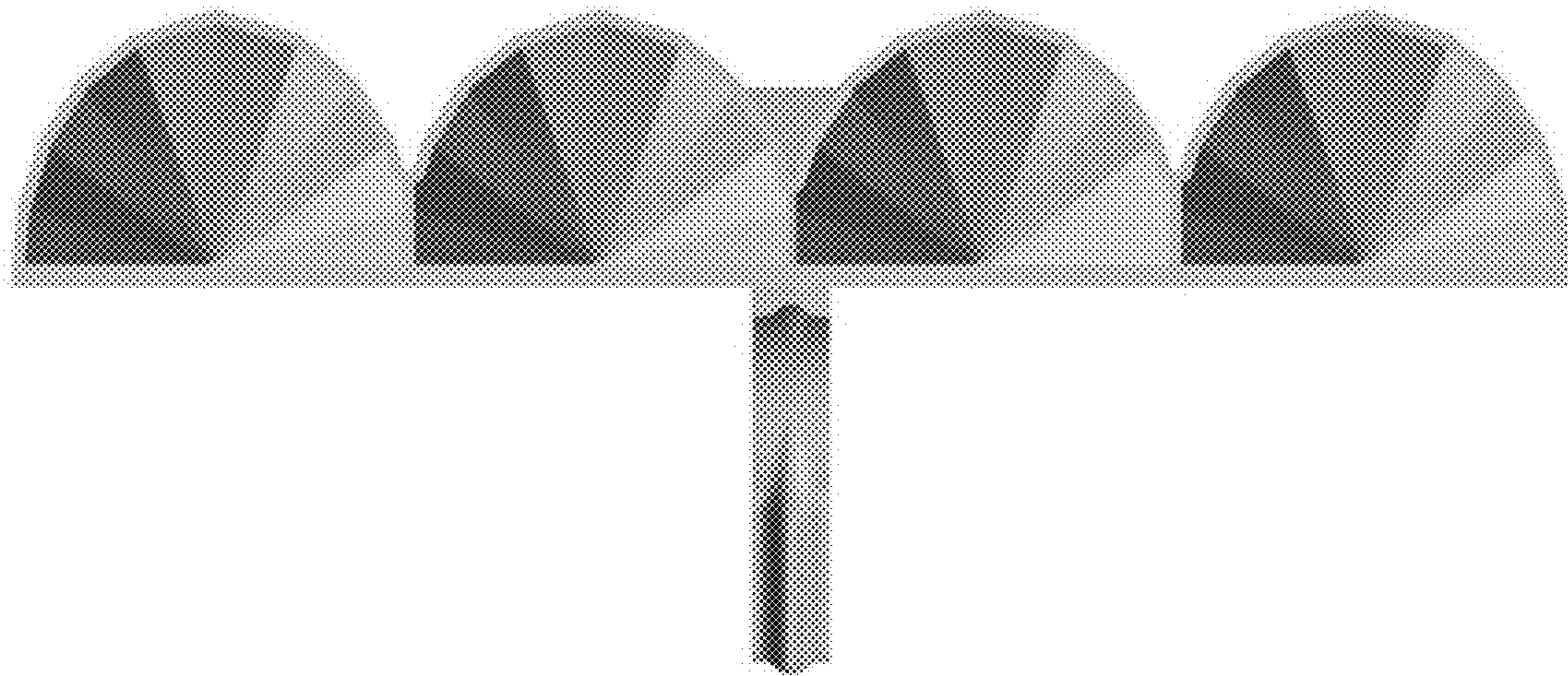
1.4



1.5



1.6



1.7

