



US00D877291S

(12) **United States Design Patent**  
**Allis et al.**

(10) **Patent No.:** **US D877,291 S**  
(45) **Date of Patent:** **\*\* Mar. 3, 2020**

(54) **DILUENT TANK FOR A SPRAYER**

(71) Applicant: **Chapin Manufacturing, Inc.**, Batavia, NY (US)

(72) Inventors: **Morgan Allis**, Batavia, NY (US);  
**James R. Fontaine**, Marilla, NY (US);  
**David Dubiel**, N. Chili, NY (US)

(73) Assignee: **Chapin Manufacturing, Inc.**, Batavia, NY (US)

(\*\*) Term: **15 Years**

(21) Appl. No.: **29/625,325**

(22) Filed: **Nov. 8, 2017**

(51) **LOC (12) Cl.** ..... **23-01**

(52) **U.S. Cl.**  
USPC ..... **D23/202**

(58) **Field of Classification Search**  
USPC ..... D15/5, 7, 10, 21; D23/200, 202, 206,  
D23/207, 209, 213, 223, 225, 229, 245,  
D23/249, 250, 499; D32/1, 15, 16, 21,  
D32/22, 31  
CPC ... B05B 7/2472; B05B 7/2475; B05B 7/2486;  
B05B 7/30; B05B 9/0877; B05B 12/004  
See application file for complete search history.

(56) **References Cited**

U.S. PATENT DOCUMENTS

2,788,245 A	4/1957	Gilmour
4,790,454 A	12/1988	Clark et al.
5,086,582 A	2/1992	Hamilton
5,941,416 A	8/1999	Balz et al.

(Continued)

OTHER PUBLICATIONS

NorthStar ATV Spot Sprayer —10-Gallon Capacity, 1 GPM, 12 Volt; [http://www.northerntool.com/shop/tools/product\\_200631851\\_200631851?cm\\_mmc=Google-pla&utm\\_source=Google\\_PLA&utm\\_medium=Lawn%20%2B%20Garden%20%3E%20Sprayers%20%20Broadcast%20%2B%20Spot%20Sprayers&utm\\_campaign=NorthStar&utm\\_content=2681022&gclid=Cj0KCQjw8b\\_MBRDcARIsAKJE7ImwtL81IIMUbQLnG0bzly3KSQs0wh5BeQojYUjxt-ESz0hdaopvW\\_0aAorHEALw\\_wcB](http://www.northerntool.com/shop/tools/product_200631851_200631851?cm_mmc=Google-pla&utm_source=Google_PLA&utm_medium=Lawn%20%2B%20Garden%20%3E%20Sprayers%20%20Broadcast%20%2B%20Spot%20Sprayers&utm_campaign=NorthStar&utm_content=2681022&gclid=Cj0KCQjw8b_MBRDcARIsAKJE7ImwtL81IIMUbQLnG0bzly3KSQs0wh5BeQojYUjxt-ESz0hdaopvW_0aAorHEALw_wcB) (Accessed Aug. 1, 2017).

3E%20Broadcast%20%2B%20Spot%20Sprayers&utm\_campaign=NorthStar&utm\_content=2681022&gclid=Cj0KCQjw8b\_MBRDcARIsAKJE7ImwtL81IIMUbQLnG0bzly3KSQs0wh5BeQojYUjxt-ESz0hdaopvW\_0aAorHEALw\_wcB (Accessed Aug. 1, 2017).

(Continued)

*Primary Examiner* — Michael C Stout

*Assistant Examiner* — Fritzgerald L Butac

(74) *Attorney, Agent, or Firm* — Woods Oviatt Gilman LLP; Katherine H. McGuire, Esq.

(57) **CLAIM**

The ornamental design for the diluent tank for a sprayer, as shown and described.

**DESCRIPTION**

FIG. 1 is a front perspective view of a first embodiment of a diluent tank for a sprayer of our new design shown in environment;

FIG. 2 is a front perspective view of a first embodiment of a diluent tank for a sprayer of our new design;

FIG. 3 is a right side view thereof;

FIG. 4 is a left side view thereof;

FIG. 5 is a front view thereof;

FIG. 6 is a back view thereof;

FIG. 7 is a top view thereof;

FIG. 8 is a bottom view thereof;

FIG. 9 is a front perspective view of a second embodiment of a diluent tank for a sprayer of our new design shown in environment;

FIG. 10 is a front perspective view of a second embodiment of a diluent tank for a sprayer of our new design;

FIG. 11 is a right side view thereof;

FIG. 12 is a left side view thereof;

FIG. 13 is a front view thereof;

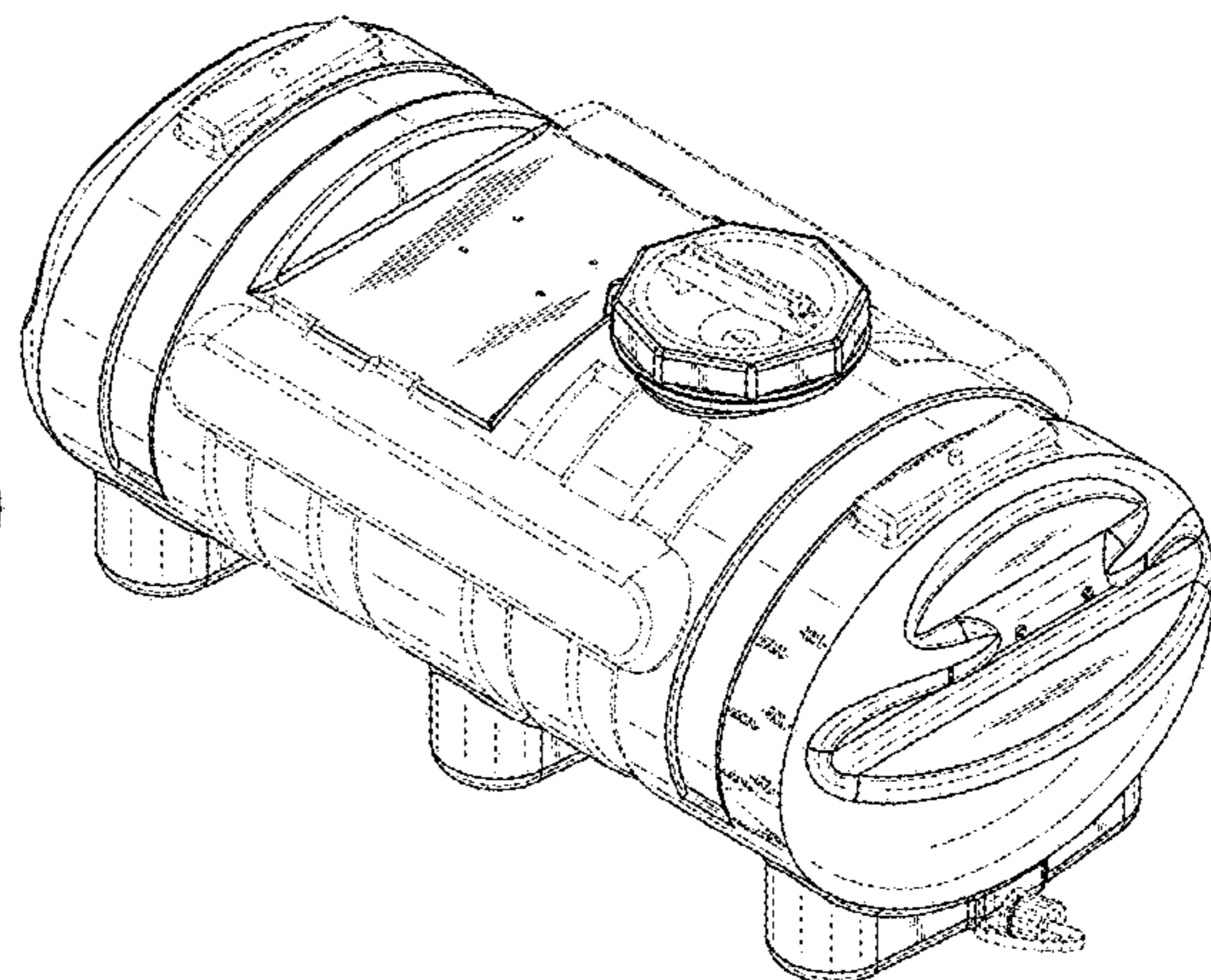
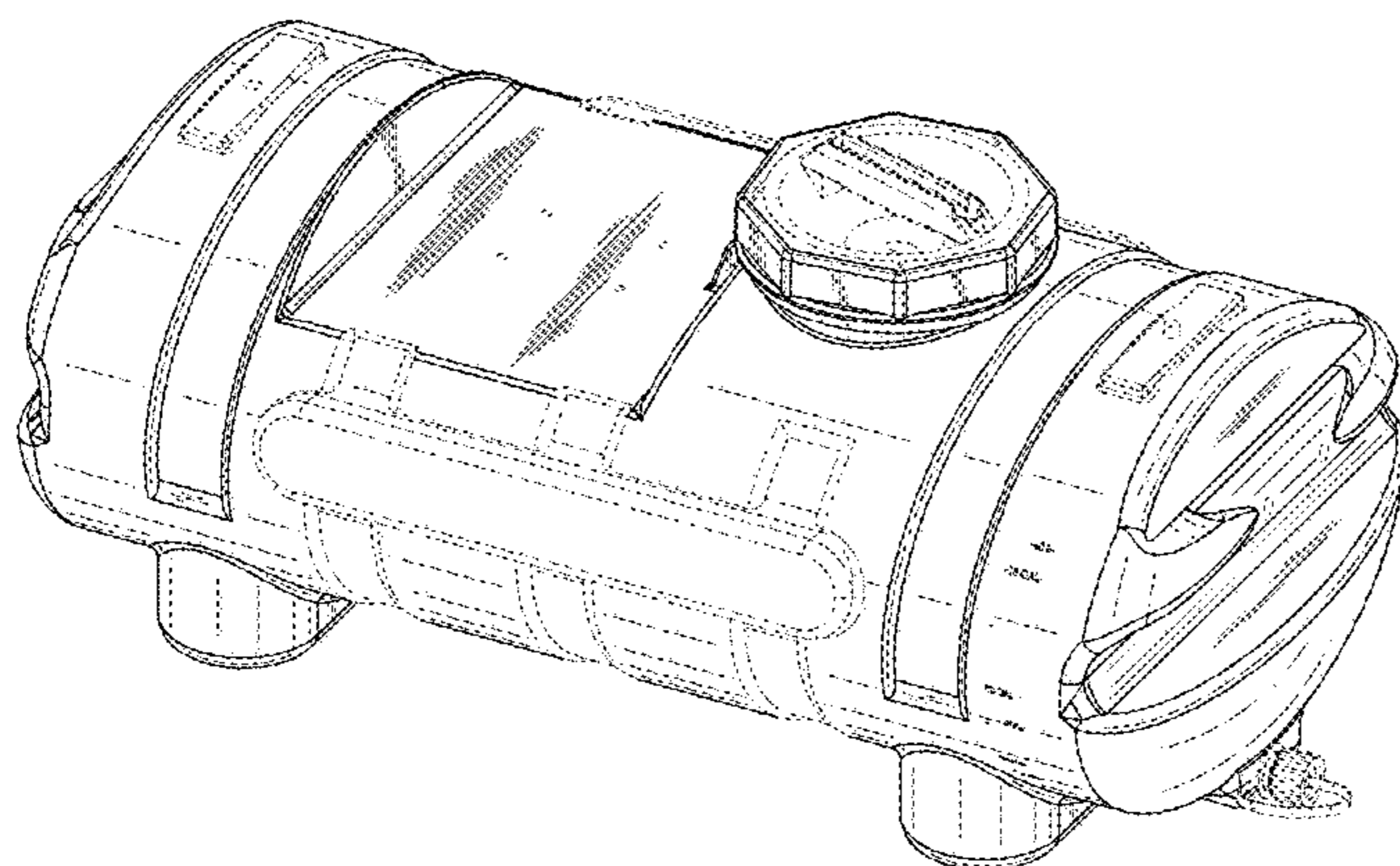
FIG. 14 is a back view thereof;

FIG. 15 is a top view thereof; and,

FIG. 16 is a bottom view thereof.

The broken lines that are present only in FIGS. 1 and 9 are for the purpose of showing environmental structure, and form no part of the claimed design. All other broken lines in

(Continued)



the drawings show portions of a diluent tank for a sprayer that form no part of the claimed design.

**1 Claim, 14 Drawing Sheets**

(56)

**References Cited**

U.S. PATENT DOCUMENTS

D431,279 S \* 9/2000 Spriegel ..... D23/202  
D490,299 S \* 5/2004 Byron ..... D9/693  
7,063,275 B2 \* 6/2006 Byron ..... A01M 7/0046  
222/143  
D529,576 S \* 10/2006 McGiveron ..... D23/225  
D529,577 S \* 10/2006 McGiveron ..... D23/225  
D560,046 S \* 1/2008 Renner ..... D32/15  
D568,557 S \* 5/2008 Alexander ..... D32/15  
D652,111 S \* 1/2012 Delorme ..... D23/202  
D656,518 S \* 3/2012 Varini ..... D15/7  
D661,438 S \* 6/2012 Alexander ..... D32/15  
D680,620 S \* 4/2013 Fontaine ..... D23/225  
D725,742 S \* 3/2015 Kennemer ..... D23/225

D728,068 S \* 4/2015 Delorme ..... D23/202  
D741,372 S \* 10/2015 Smith, Sr. .... D15/7  
D749,192 S \* 2/2016 Fontaine ..... D23/225  
D759,786 S \* 6/2016 Laber ..... D15/13  
D772,380 S \* 11/2016 Fontaine ..... D23/225  
D802,093 S \* 11/2017 Zingo ..... D23/225  
D809,625 S \* 2/2018 Bonaventura ..... D23/225  
D818,701 S \* 5/2018 Wright ..... D3/217  
D822,161 S \* 7/2018 Bonaventura ..... D23/225  
D828,659 S \* 9/2018 Scott ..... D32/21  
10,413,922 B2 \* 9/2019 Allis ..... B05B 1/3013  
2011/0079659 A1 4/2011 Wilken et al.  
2019/0105672 A1 \* 4/2019 Allis ..... A01M 7/0042  
2019/0105674 A1 \* 4/2019 Fontaine ..... B05B 7/12  
2019/0105675 A1 \* 4/2019 Allis ..... B05B 12/14  
2019/0118203 A1 \* 4/2019 Fontaine ..... B05B 9/0877

OTHER PUBLICATIONS

Lawn Care Sprayers; <http://riverbendind.com/lawncare-sprayers/>  
(Accessed Aug. 1, 2017).  
Dual Tank Poly Skid Sprayers; <http://www.randkpump.com/> (Accessed  
Aug. 1, 2017).

\* cited by examiner

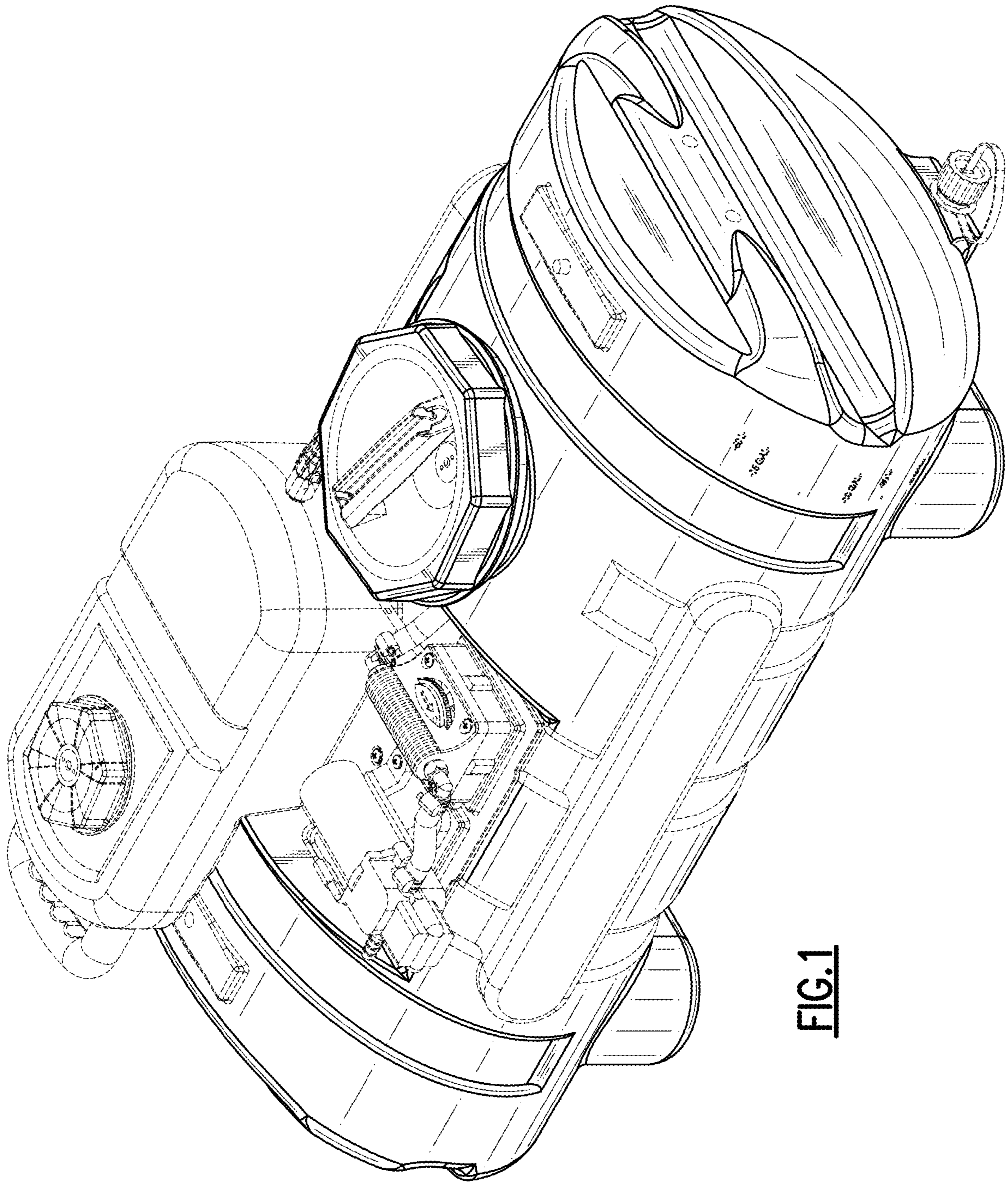
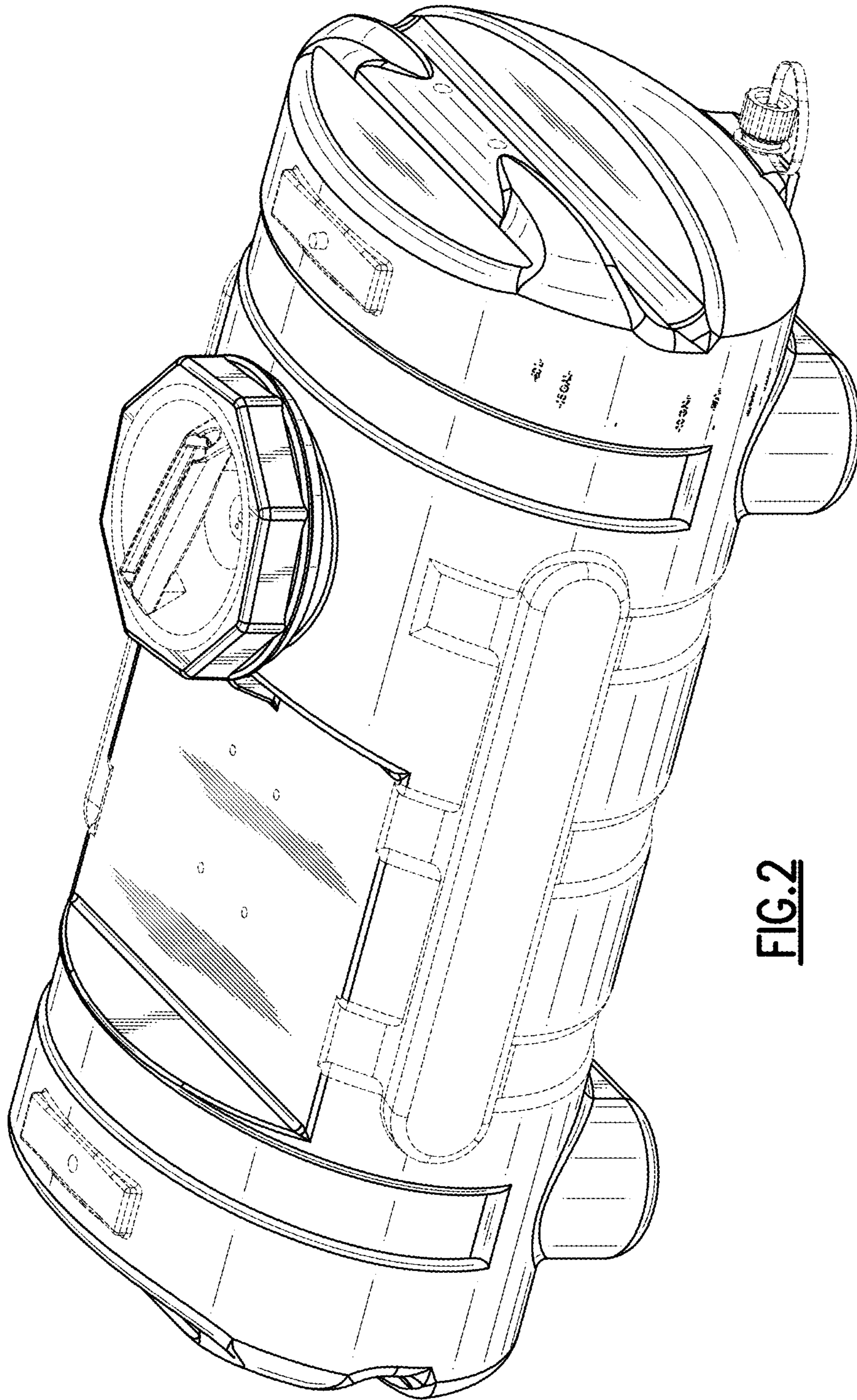


FIG. 1



**FIG. 2**

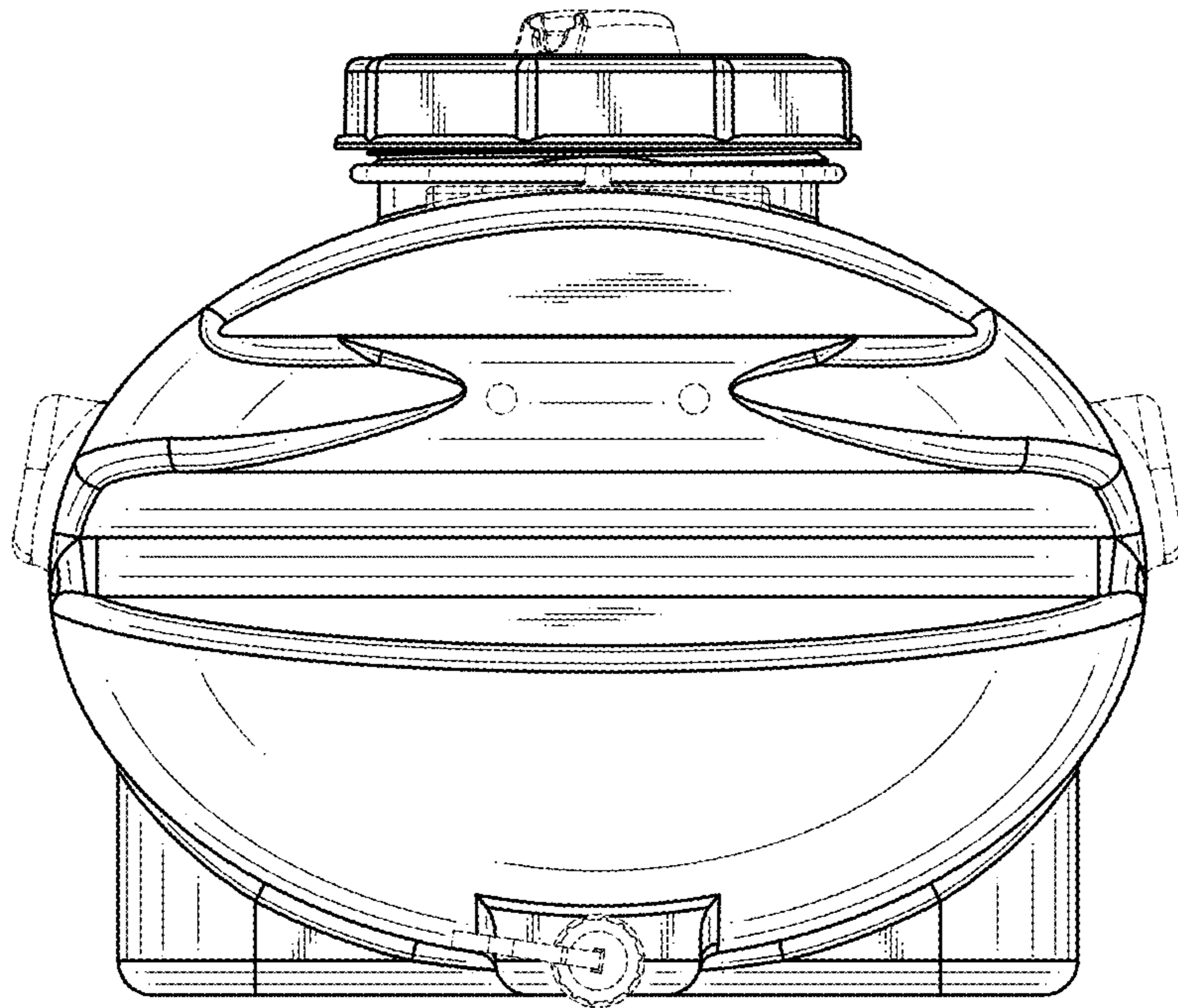


FIG. 3

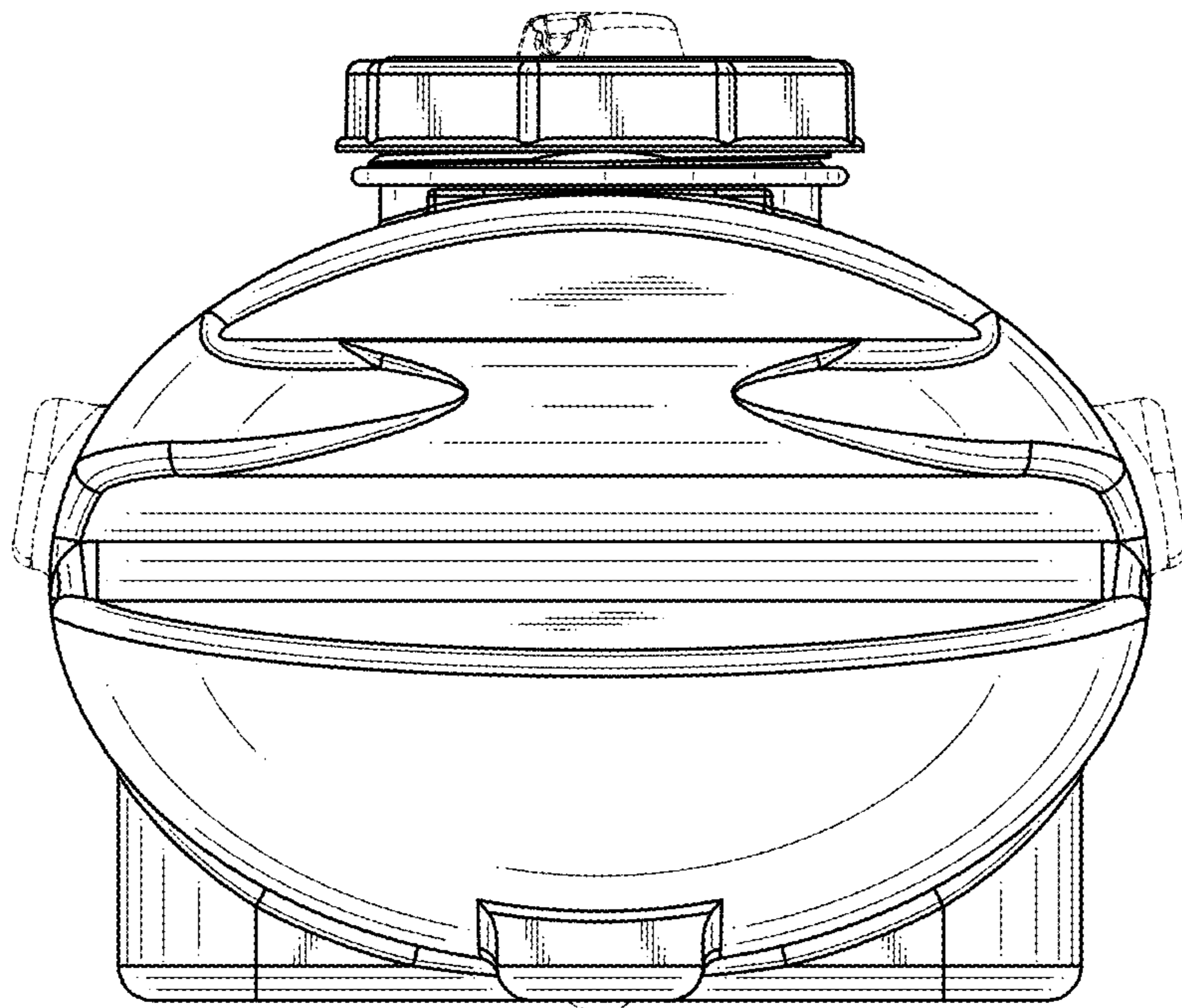


FIG. 4

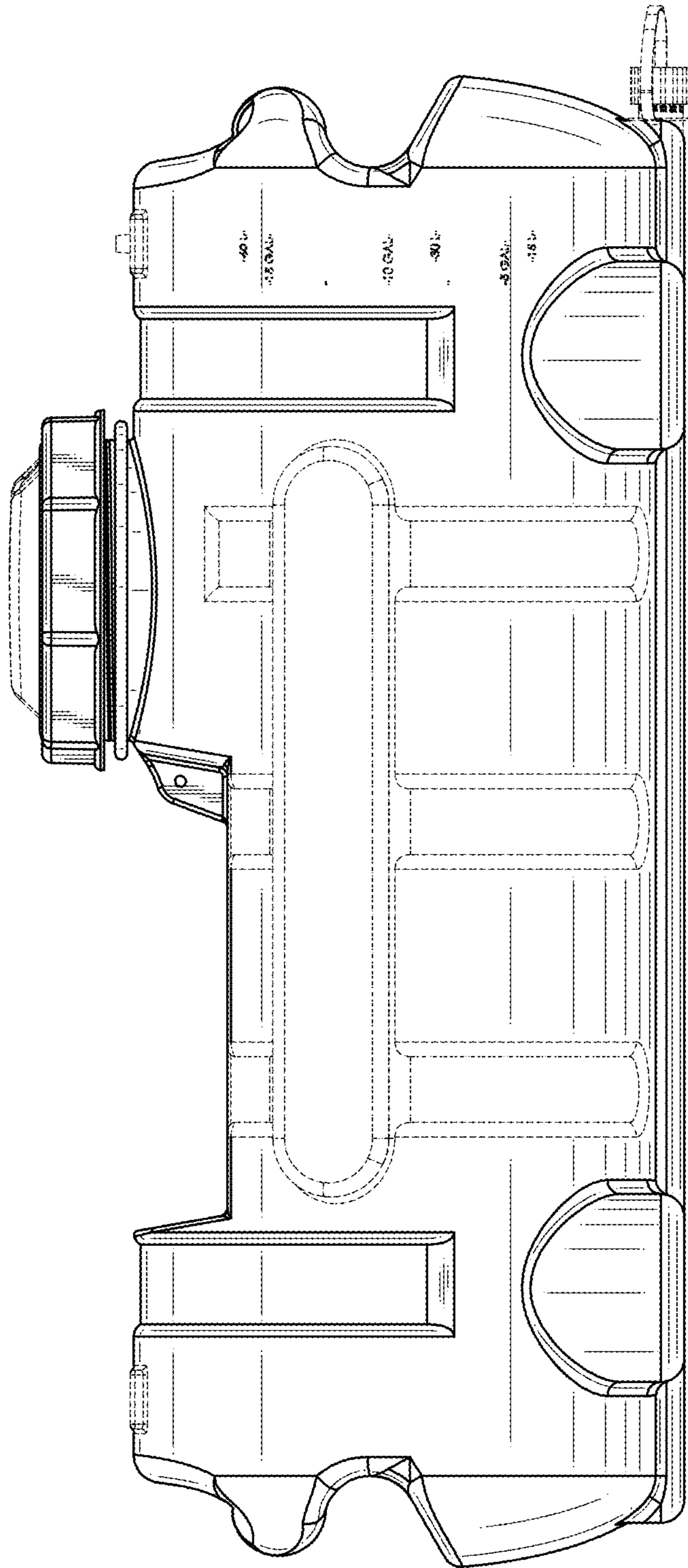


FIG. 5

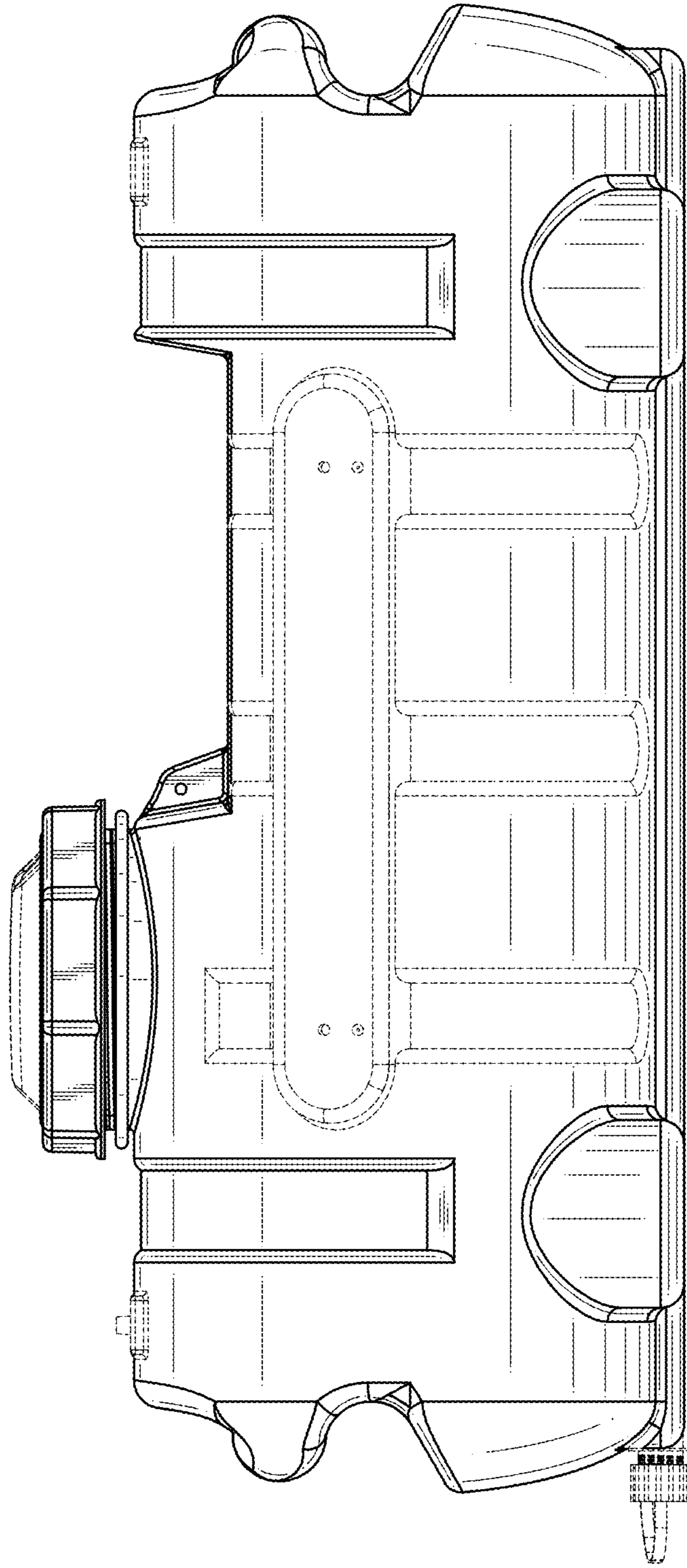


FIG. 6

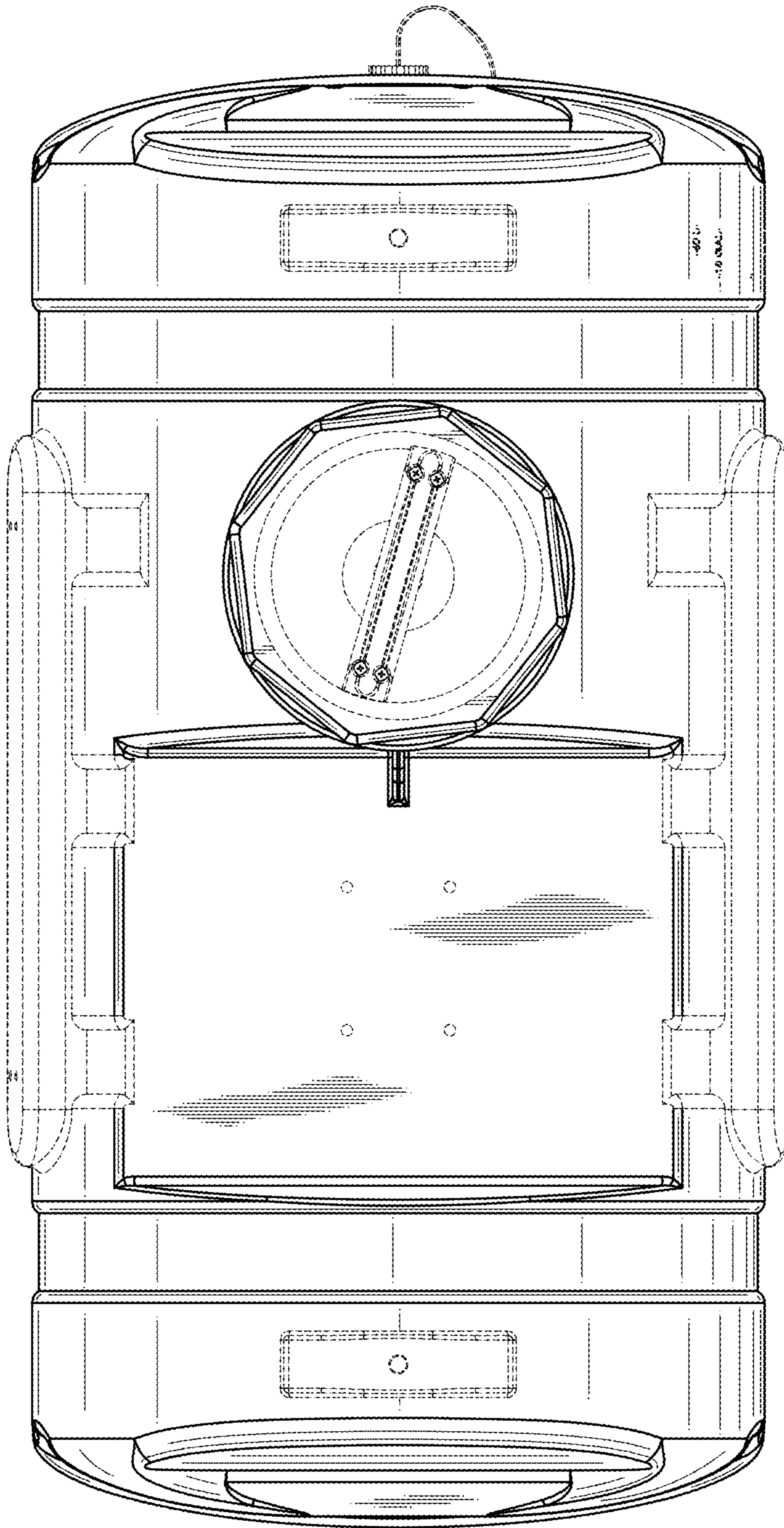
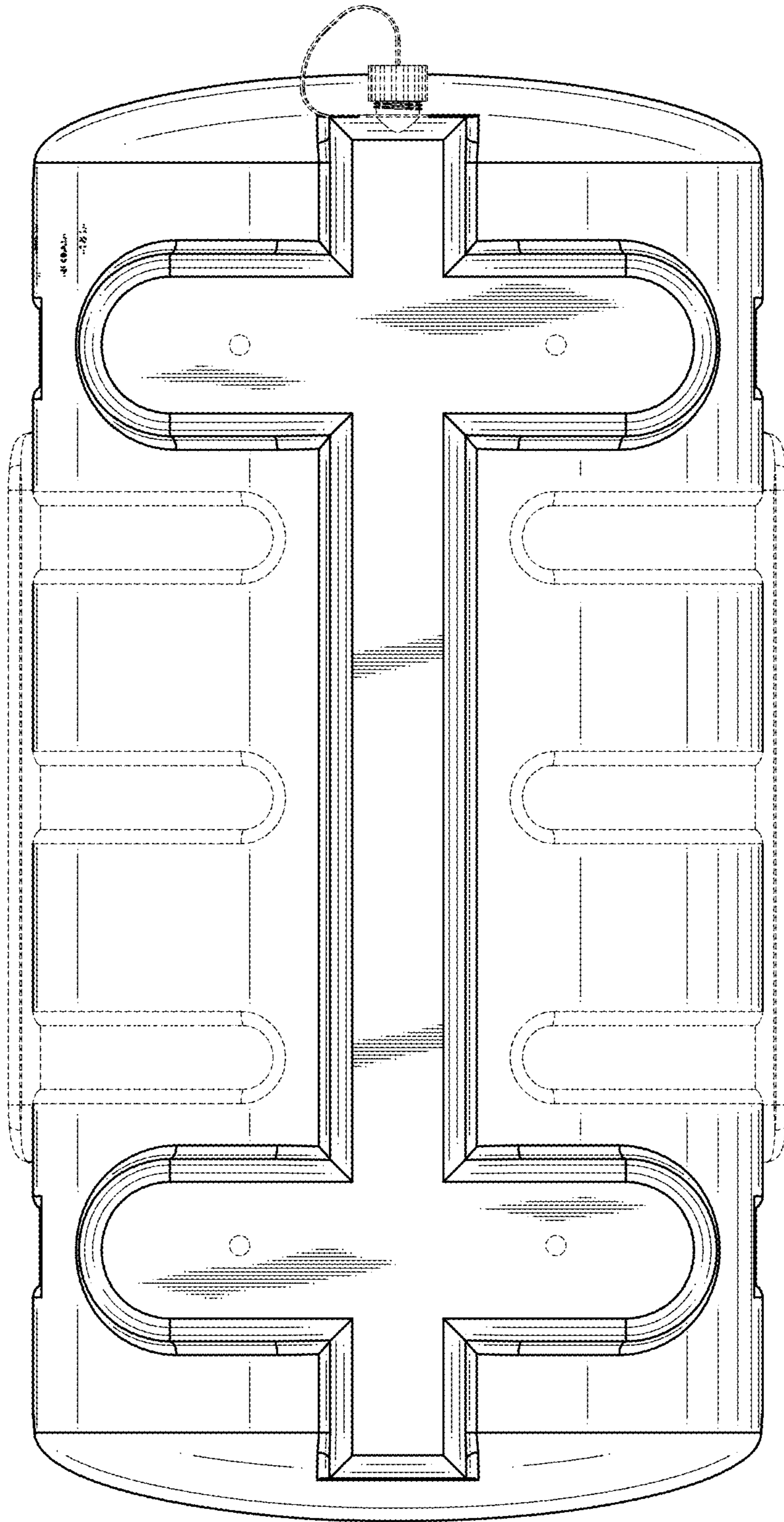
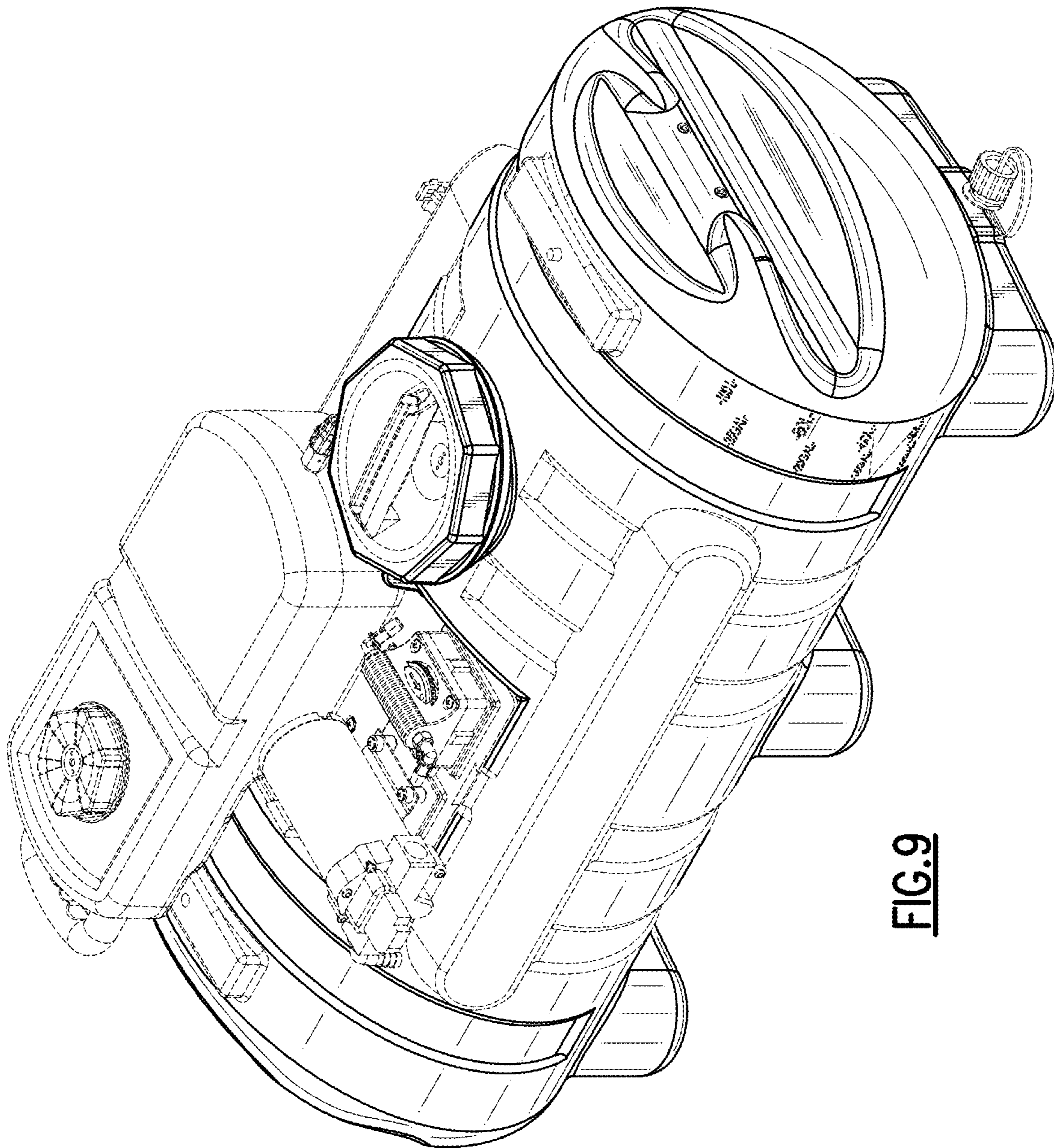


FIG. 7





**FIG. 8**



**FIG. 9**

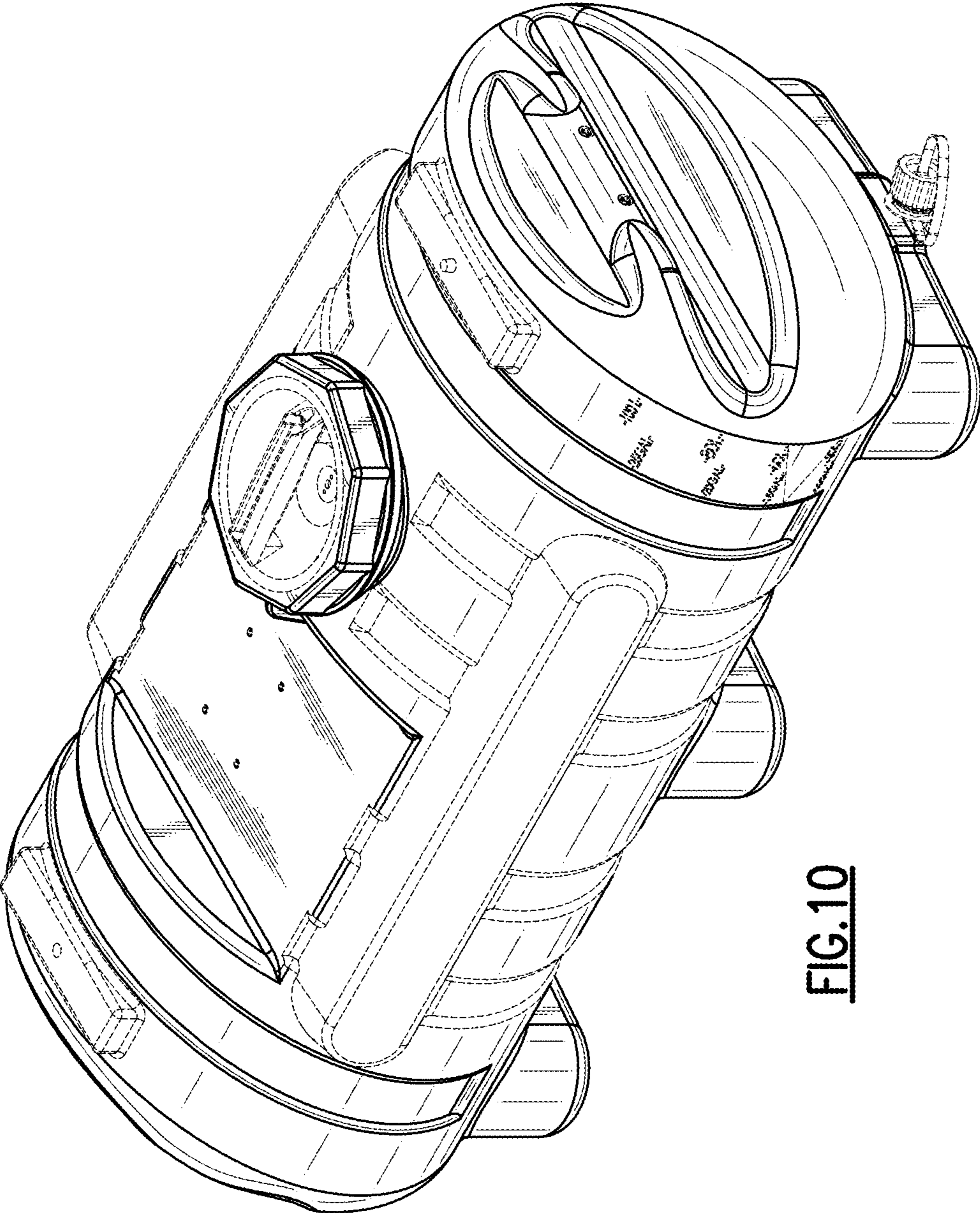


FIG.10

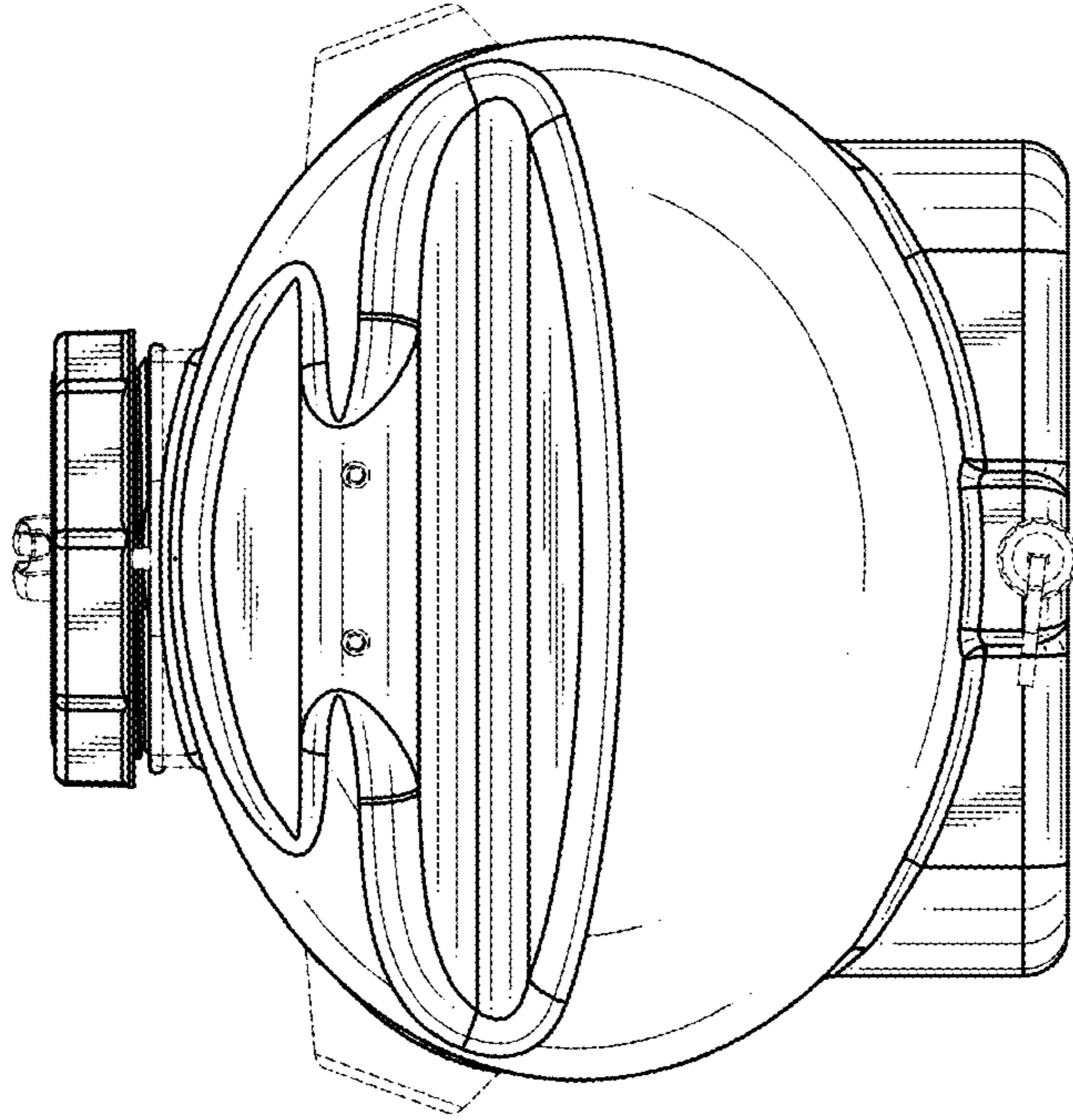


FIG. 11

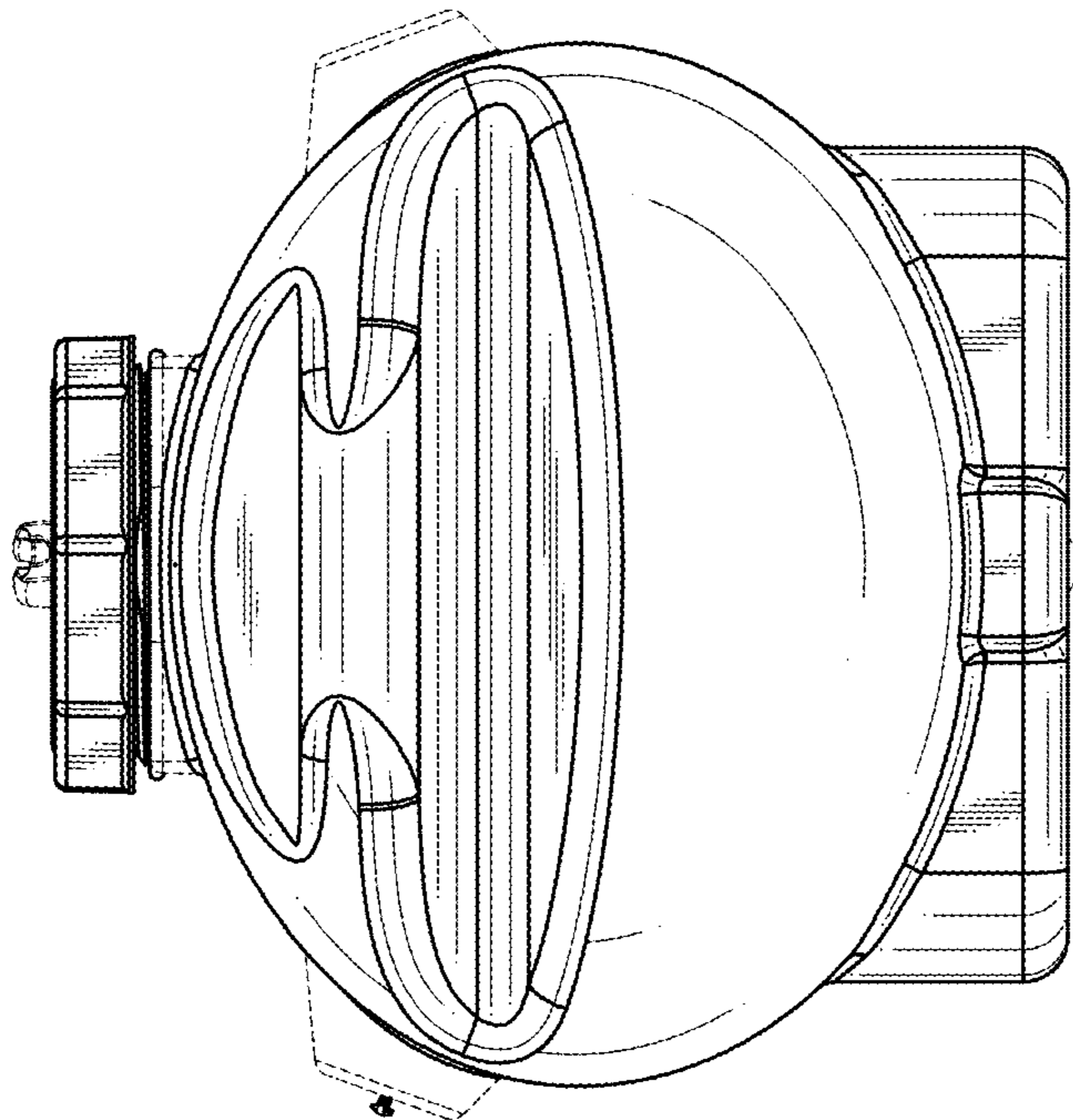


FIG. 12

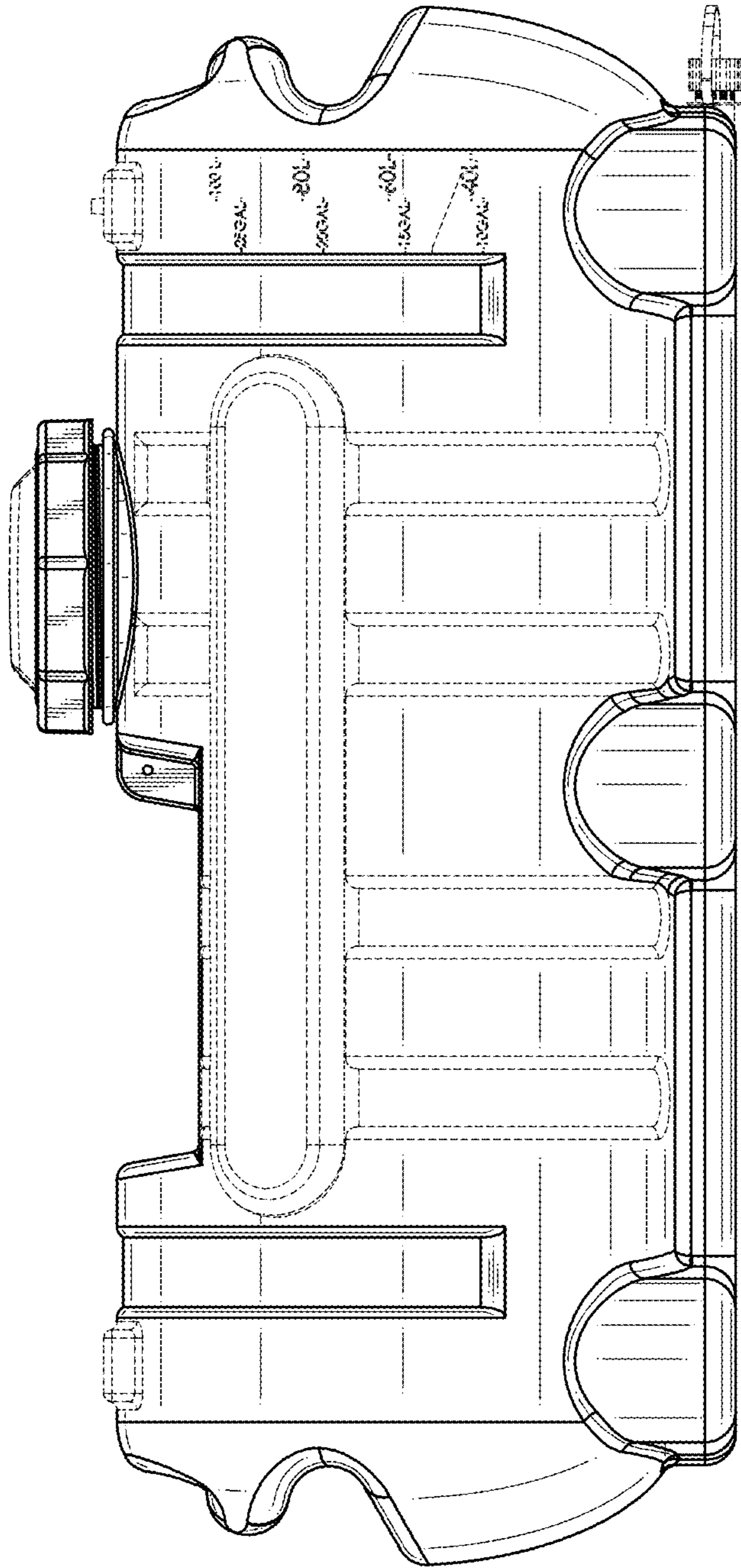


FIG.13

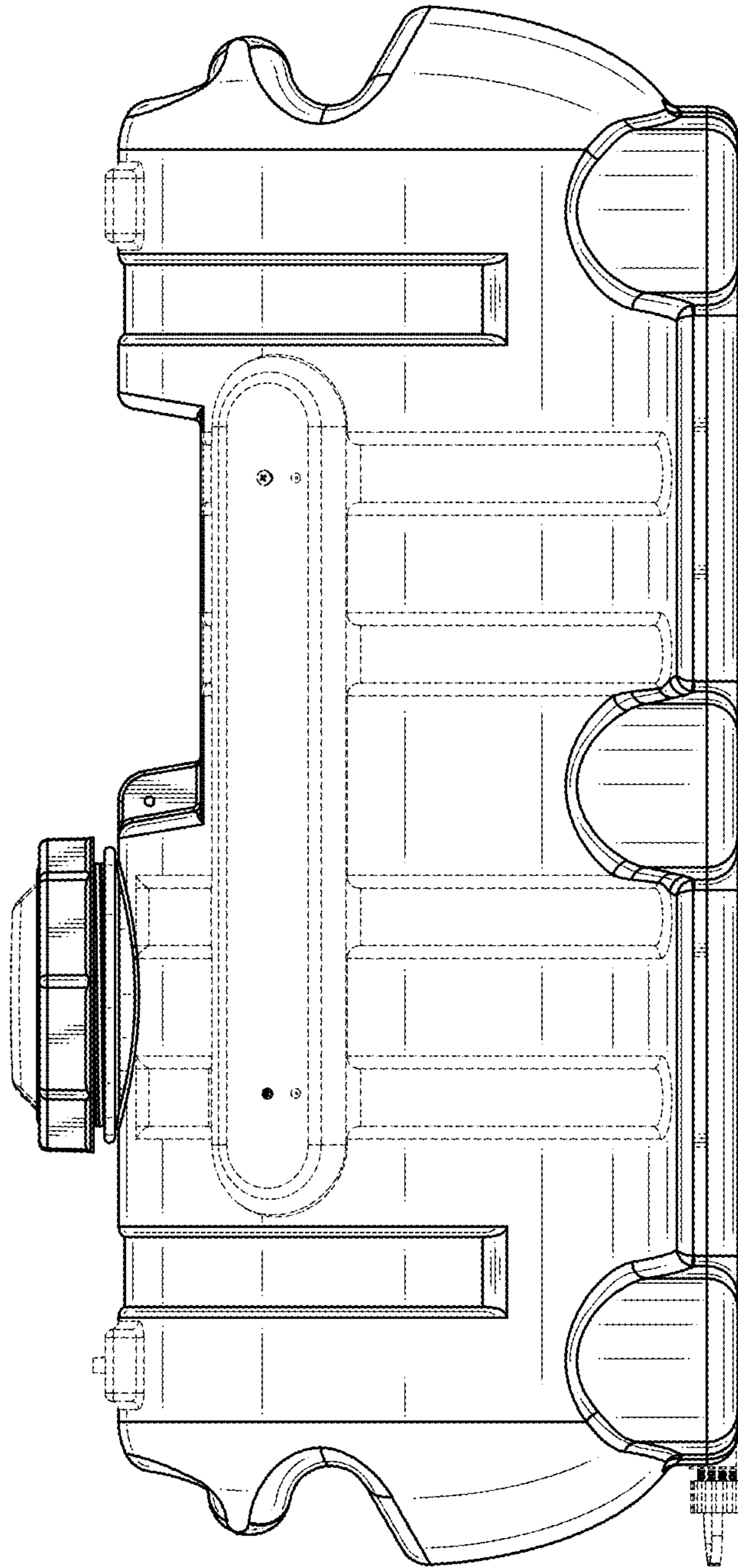


FIG.14

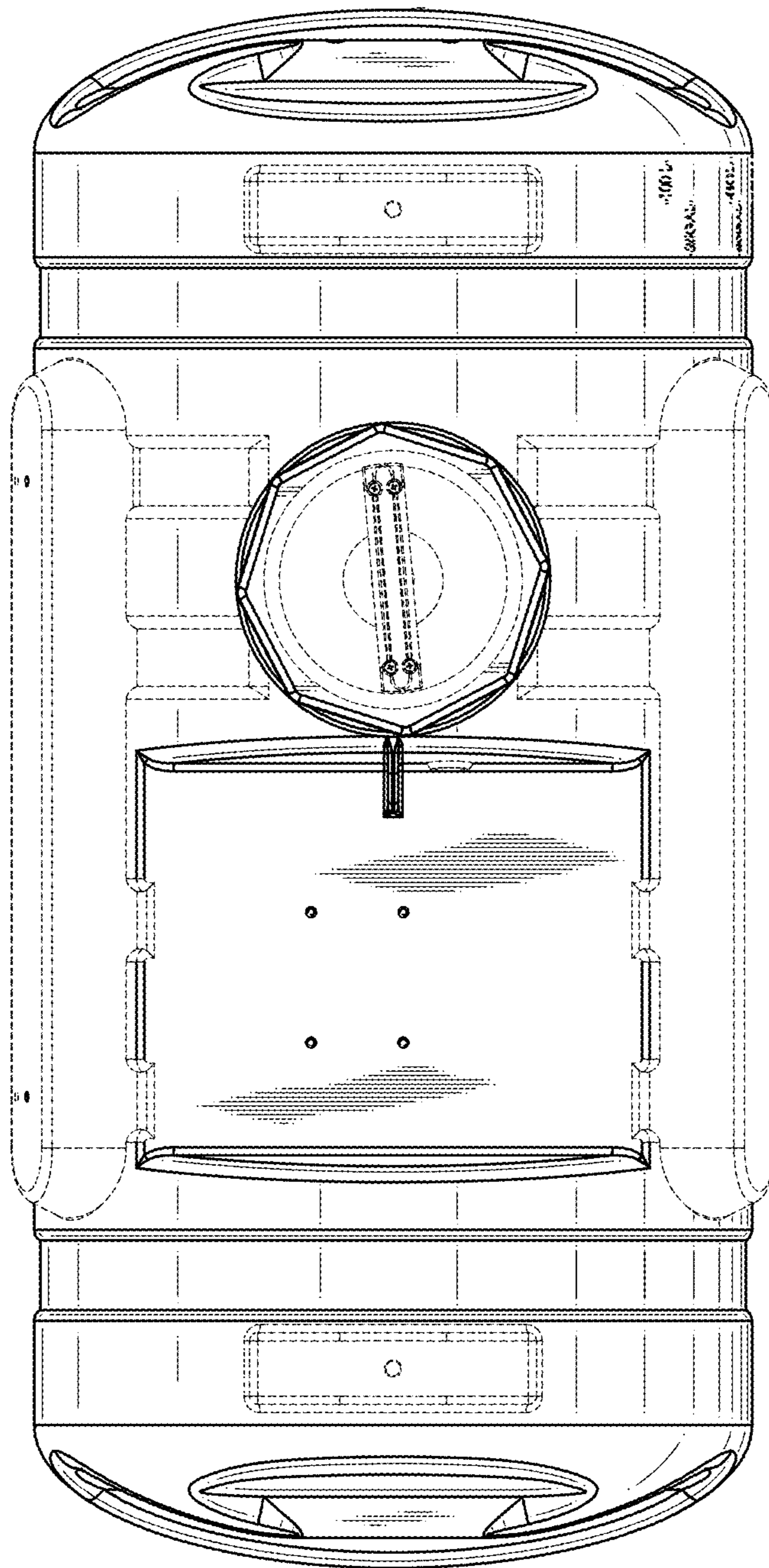


FIG.15

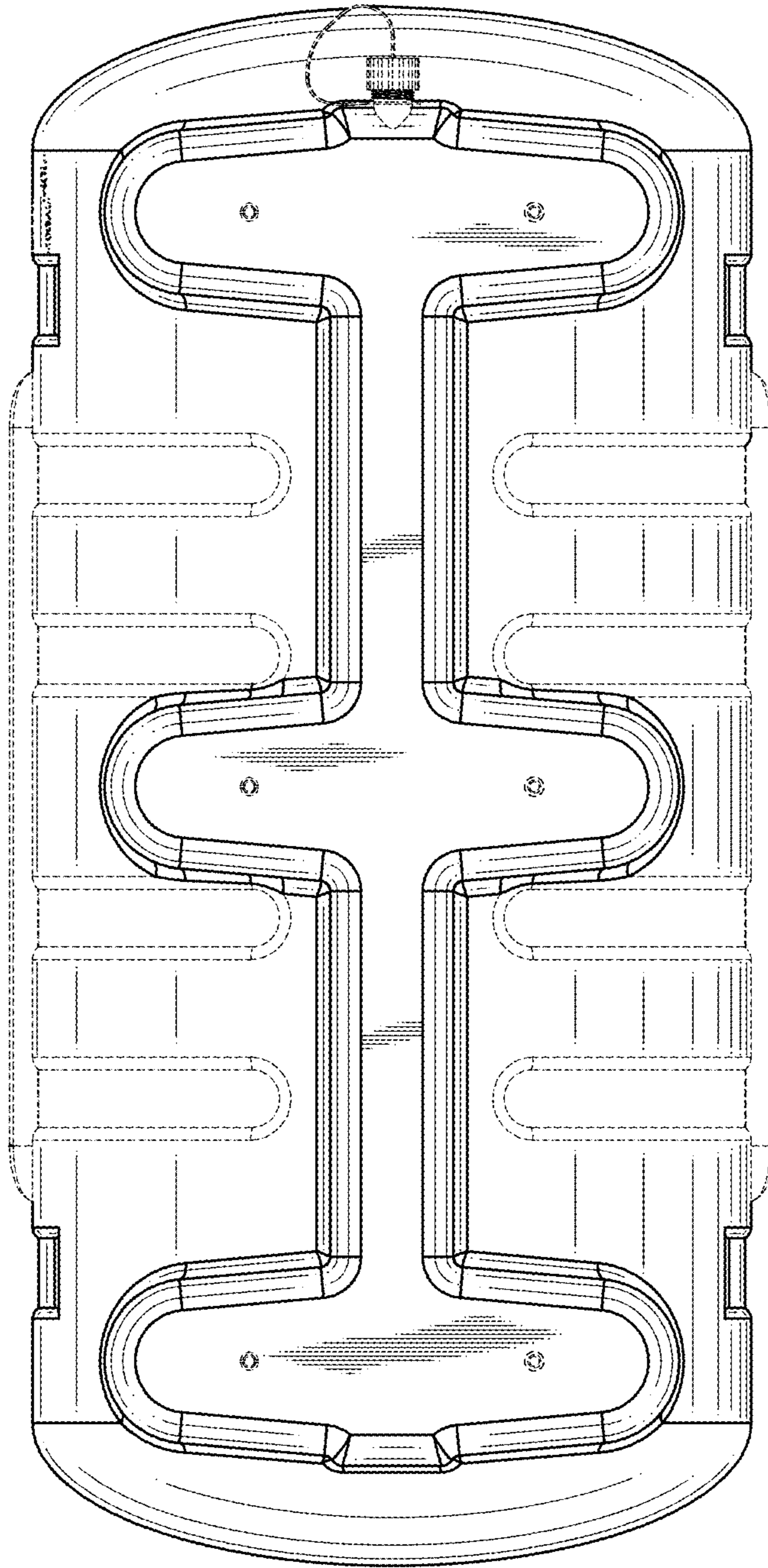


FIG.16