



US00D877287S

(12) **United States Design Patent**  
**McCloy**

(10) **Patent No.:** **US D877,287 S**  
(45) **Date of Patent:** **\*\* Mar. 3, 2020**

- (54) **BLANK FIREARM ROUND**
- (71) Applicant: **Stephen A. McCloy**, Boise, ID (US)
- (72) Inventor: **Stephen A. McCloy**, Boise, ID (US)
- (\*\*) Term: **15 Years**
- (21) Appl. No.: **29/656,919**
- (22) Filed: **Jul. 17, 2018**

**Related U.S. Application Data**

- (63) Continuation-in-part of application No. 15/622,948, filed on Jun. 14, 2017, now Pat. No. 10,082,375.
- (51) **LOC (12) Cl.** ..... **22-03**
- (52) **U.S. Cl.**  
USPC ..... **D22/116**
- (58) **Field of Classification Search**  
USPC ..... D22/115–116, 108  
CPC ..... F42B 8/08; F41A 33/00  
See application file for complete search history.

(56) **References Cited**

**U.S. PATENT DOCUMENTS**

119,357 A	9/1871	Hobbs	
225,464 A	3/1880	Coloney	
1,585,075 A	5/1926	Boyce	
2,882,821 A	4/1959	Benson	
6,189,454 B1	2/2001	Hunt	
6,305,290 B1	10/2001	Stimmell et al.	
8,979,537 B2	3/2015	Stone	
2014/0096427 A1	4/2014	Bonner	
2015/0219413 A1	8/2015	Karimullah et al.	
2017/0363398 A1*	12/2017	McCloy	..... F42B 8/08

**OTHER PUBLICATIONS**

Sealed Mindset™ Concealed Carry Masters Course DVD Cover and Screenshots, including hard malfunction device, at least as early as Dec. 31, 2014.

Internet images for various live rounds and .38 AMU live round, at least as early as Jun. 8, 2016.

\* cited by examiner

*Primary Examiner* — Michael A. Pratt  
(74) *Attorney, Agent, or Firm* — Pedersen & Company, PLLC; Ken J. Pedersen; Barbara S. Pedersen

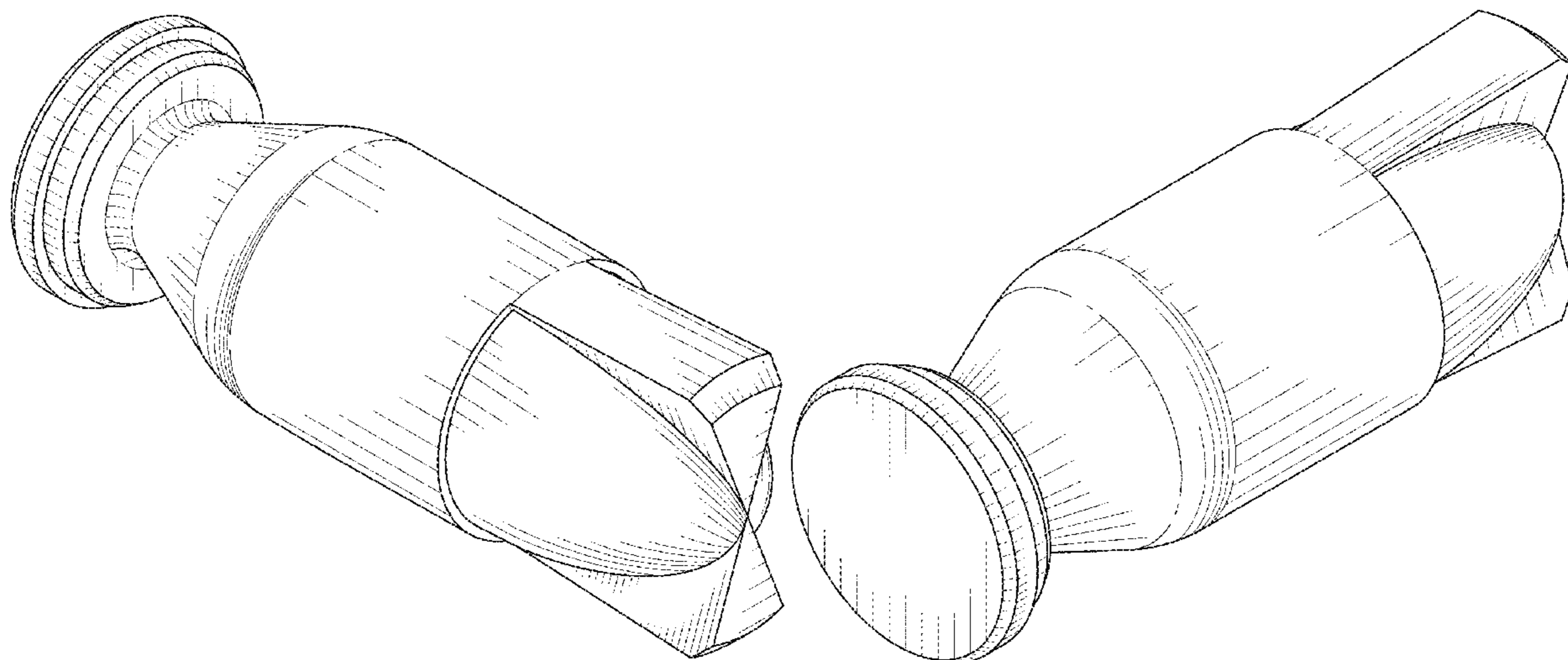
(57) **CLAIM**

The ornamental design for a blank firearm round, as shown and described.

**DESCRIPTION**

FIG. 1 is a right-side view of the design, the left side view being the same.  
 FIG. 2 is a top view of the design of FIG. 1, the bottom view being the same.  
 FIG. 3 is a front end view of the design of FIG. 1.  
 FIG. 4 is a rear end view of the design of FIG. 1.  
 FIG. 5 is a front-right perspective view of the design of FIG. 1.  
 FIG. 6 is a front-top perspective view of the design of FIG. 1.  
 FIG. 7 is a rear-right perspective of the design of FIG. 1.  
 FIG. 8 is a rear-top perspective view of the design of FIG. 1.  
 FIG. 9 is a right-side view of another embodiment of the design, the left side view being the same.  
 FIG. 10 is a top view of the design of FIG. 9, the bottom view being the same.  
 FIG. 11 is a front end view of the design of FIG. 9.  
 FIG. 12 is a rear end view of the design of FIG. 9.  
 FIG. 13 is a front-right perspective view of the design of FIG. 9.  
 FIG. 14 is a front-top perspective view of the design of FIG. 9.  
 FIG. 15 is a rear-right perspective of the design of FIG. 9; and,  
 FIG. 16 is a rear-top perspective view of the design of FIG. 9.

**1 Claim, 14 Drawing Sheets**



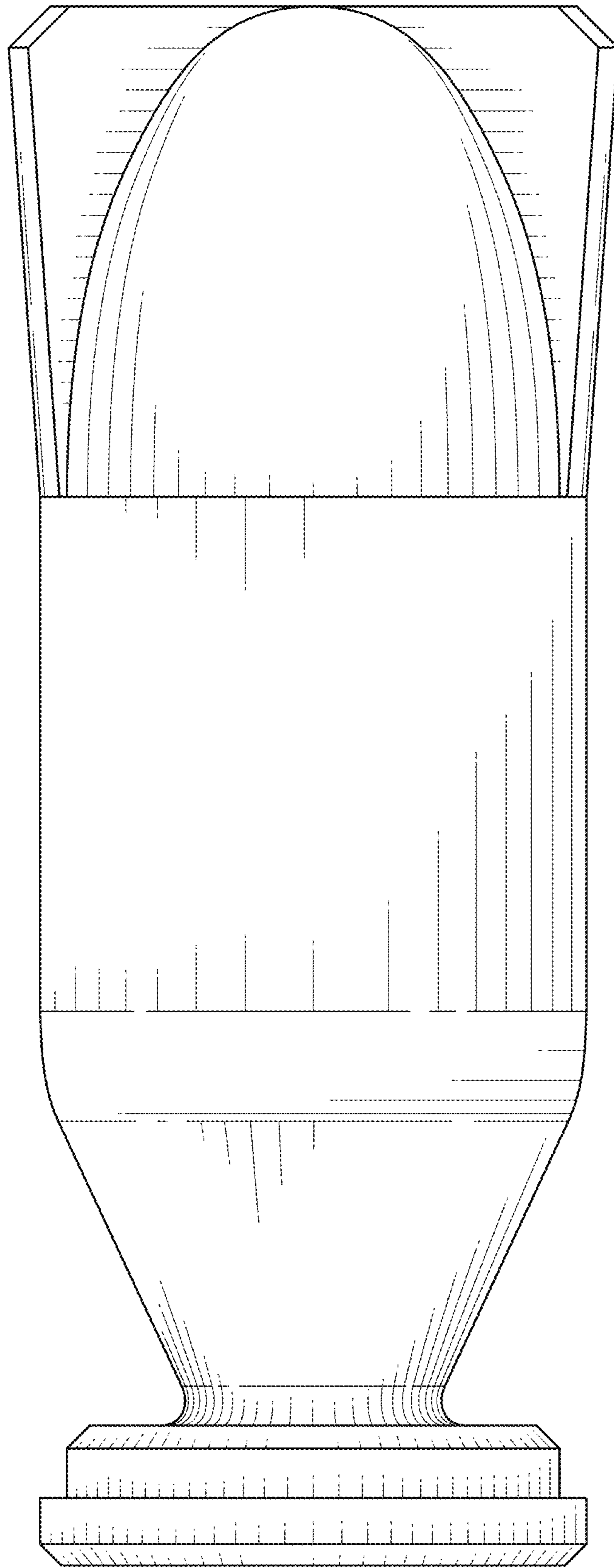


FIG. 1

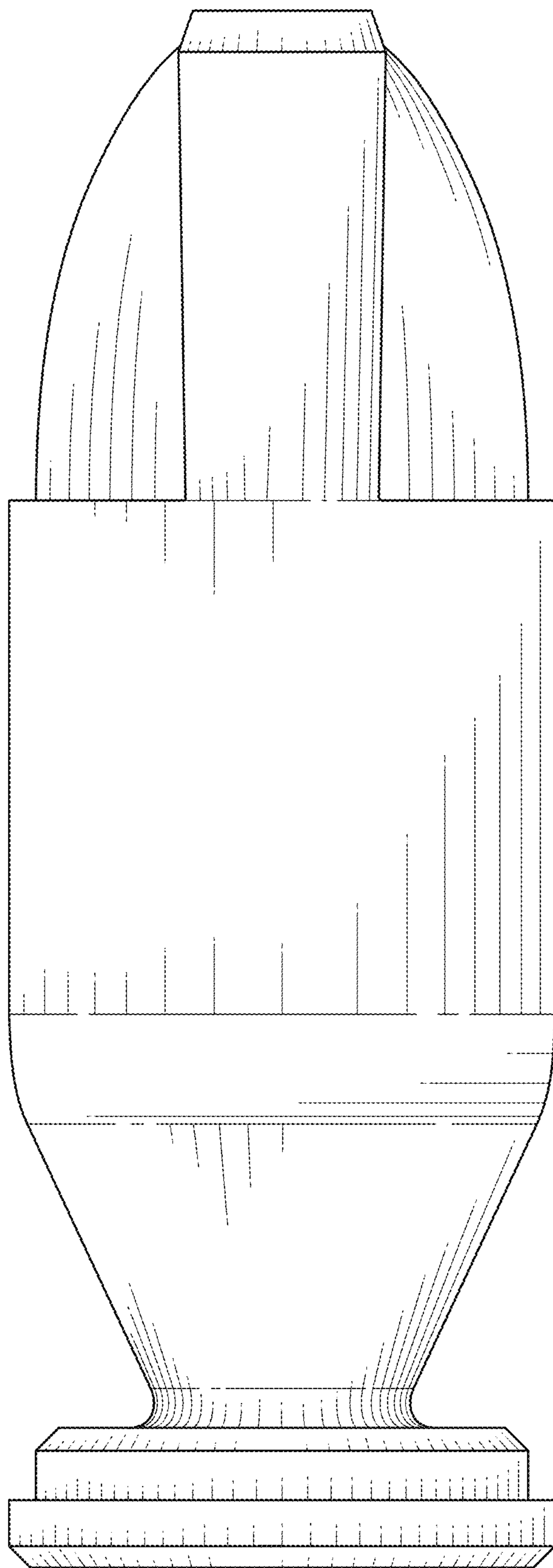


FIG. 2

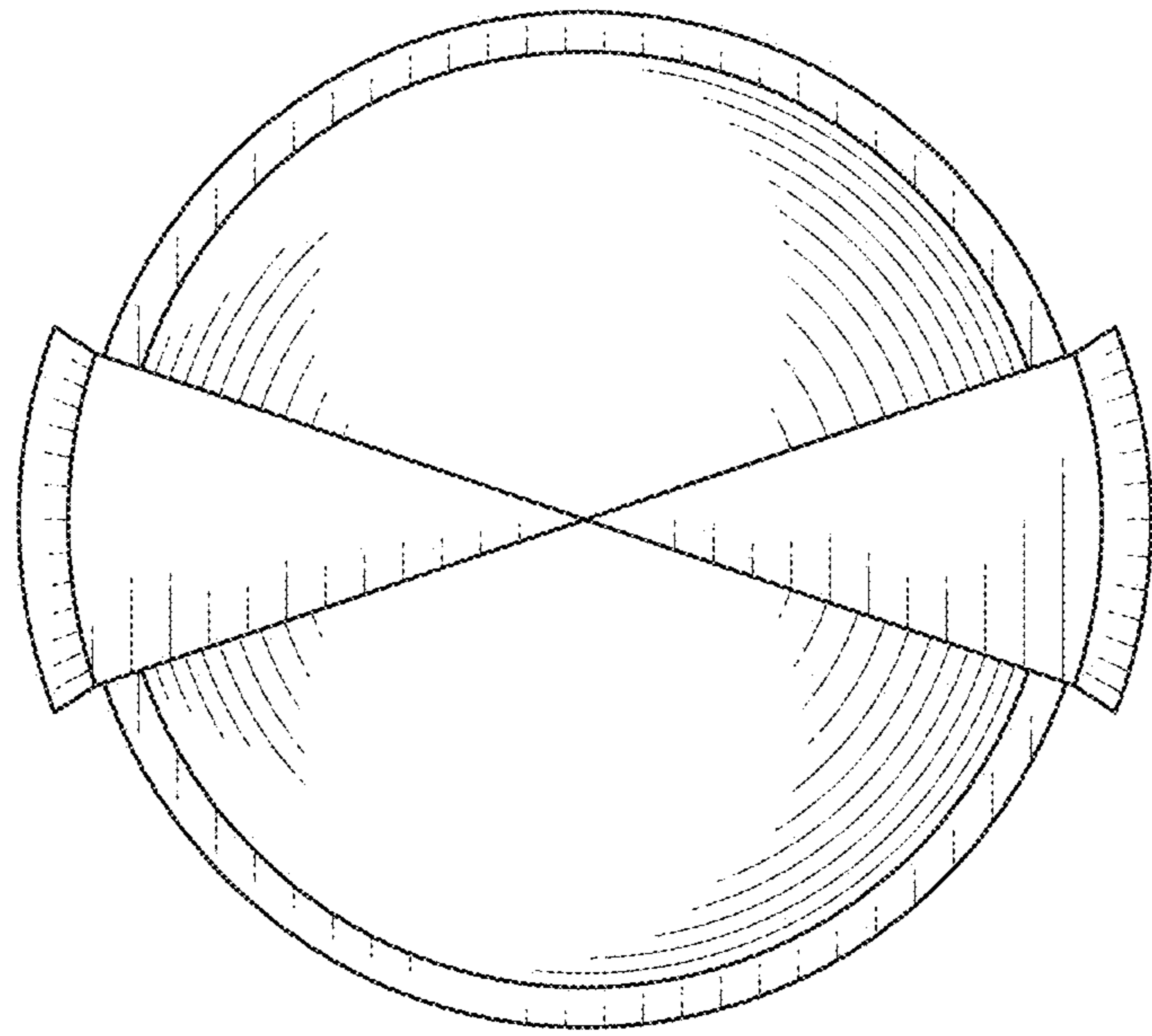


FIG. 3

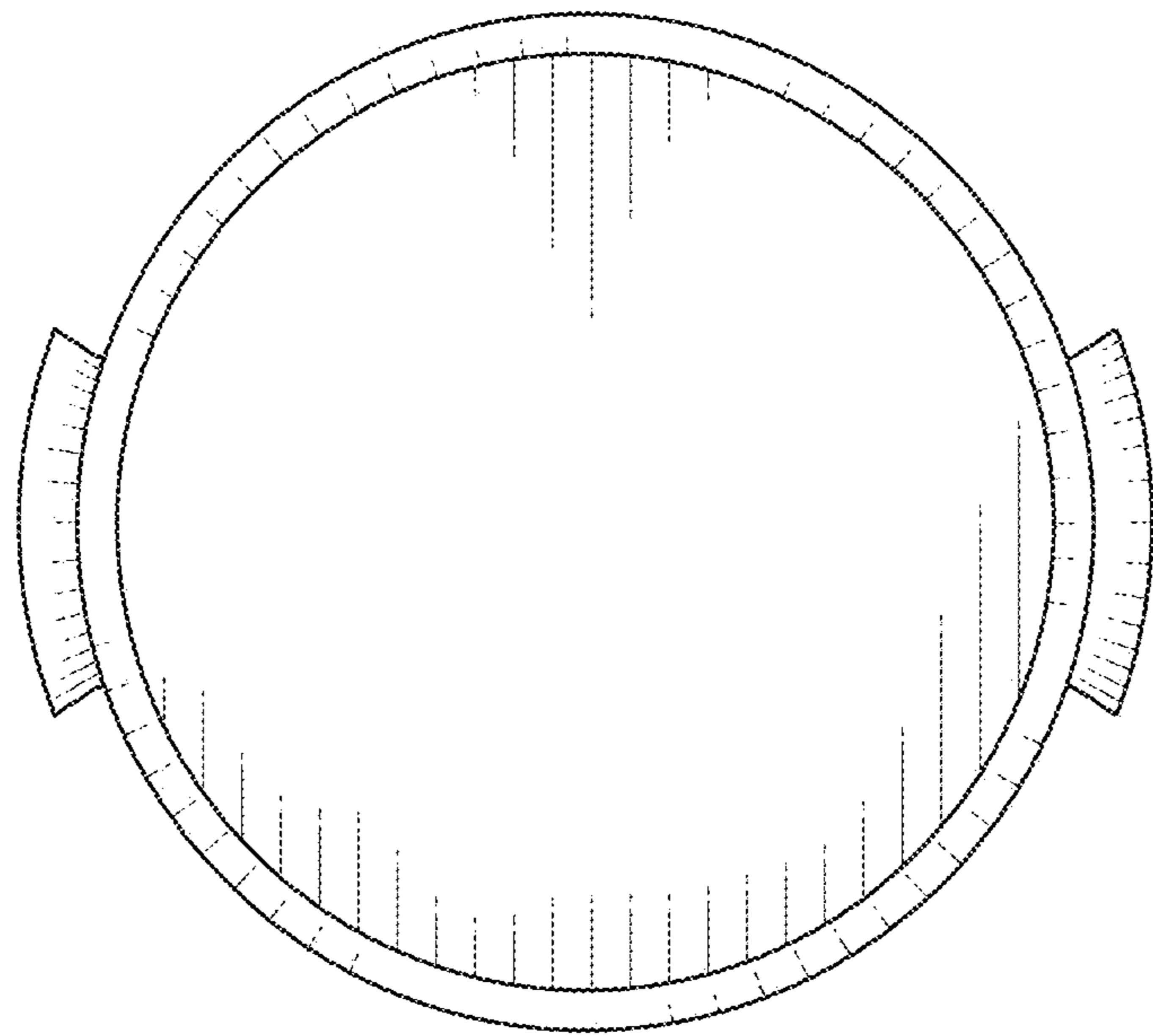


FIG. 4

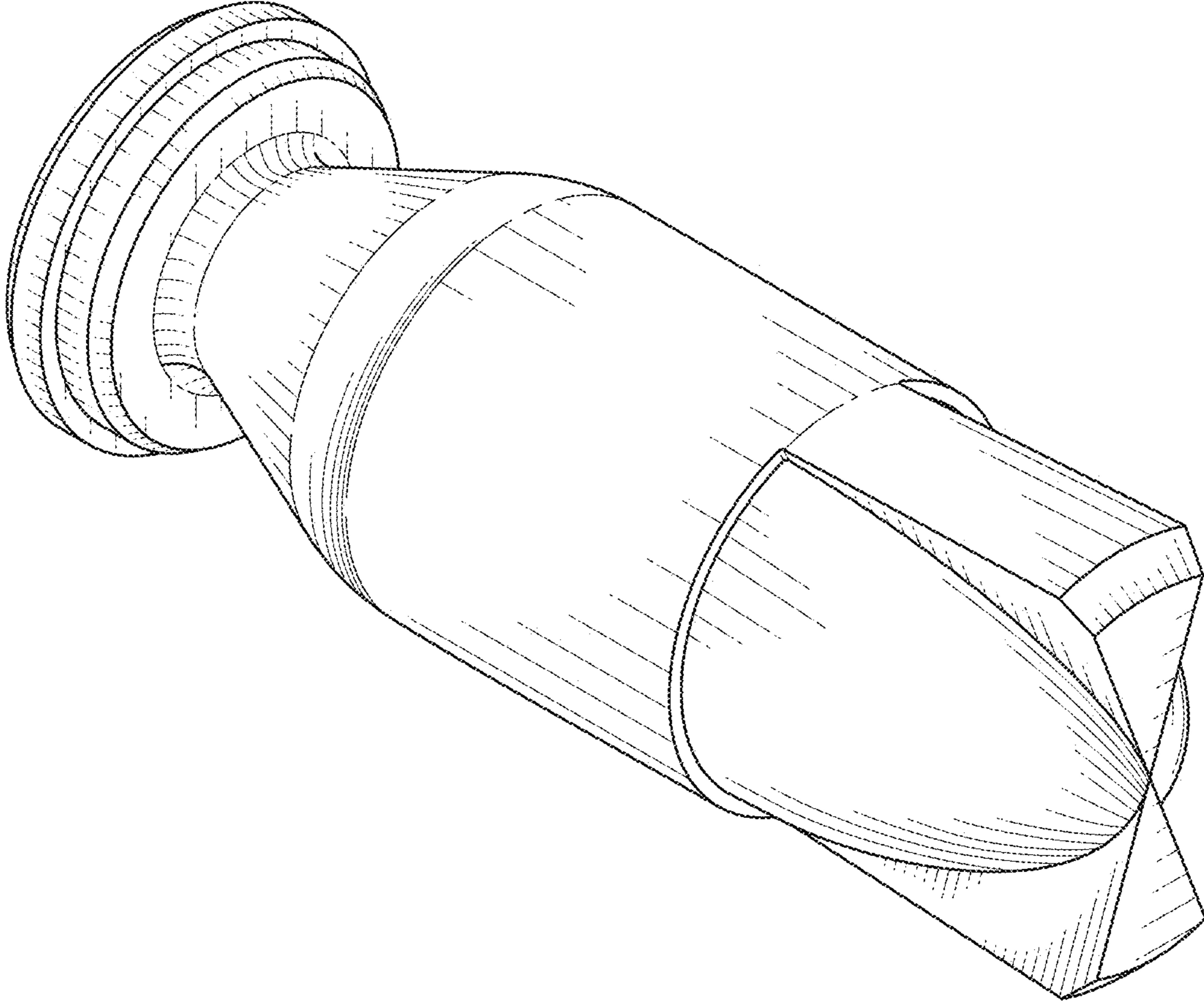


FIG. 5

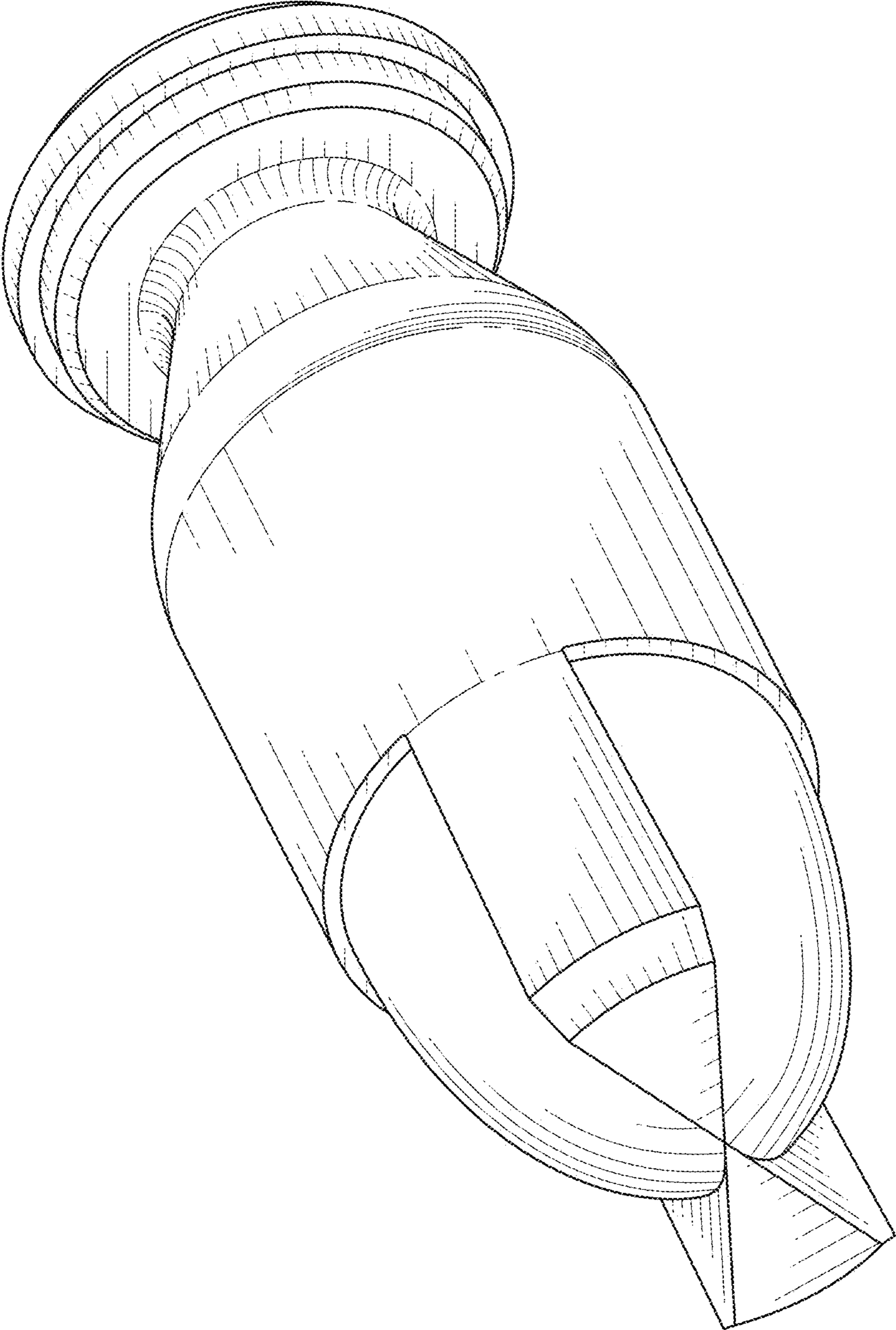


FIG. 6

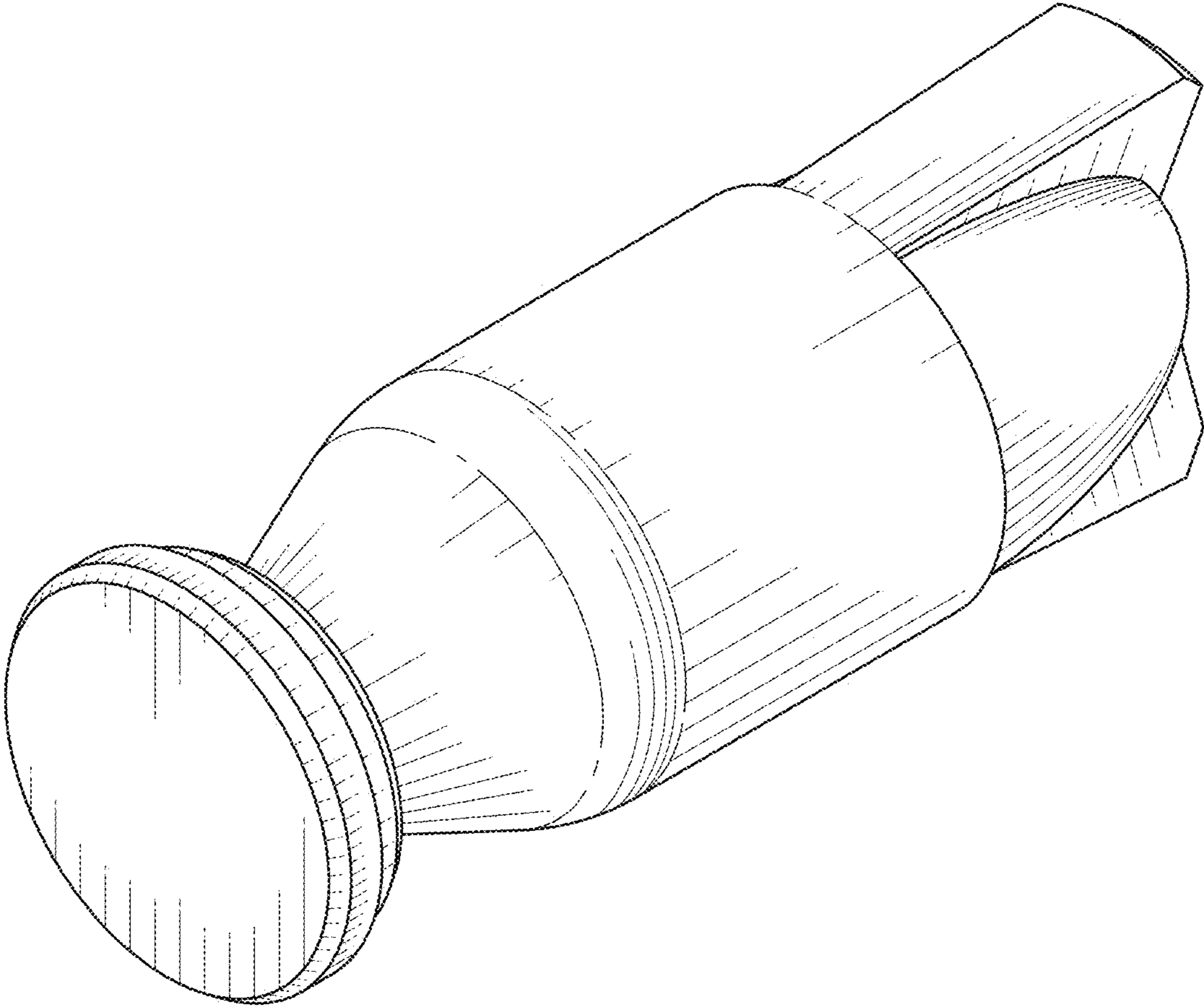


FIG. 7

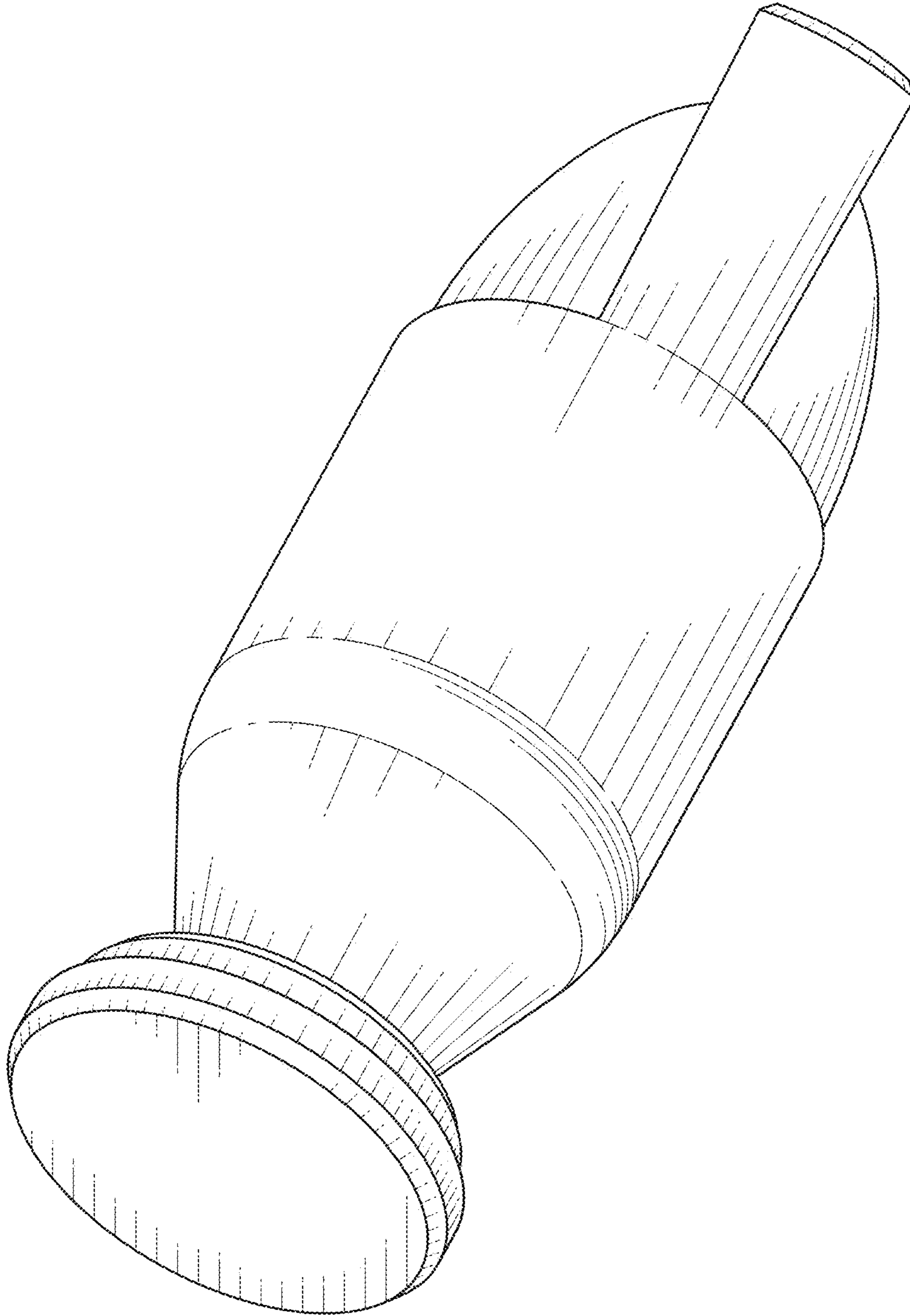


FIG. 8



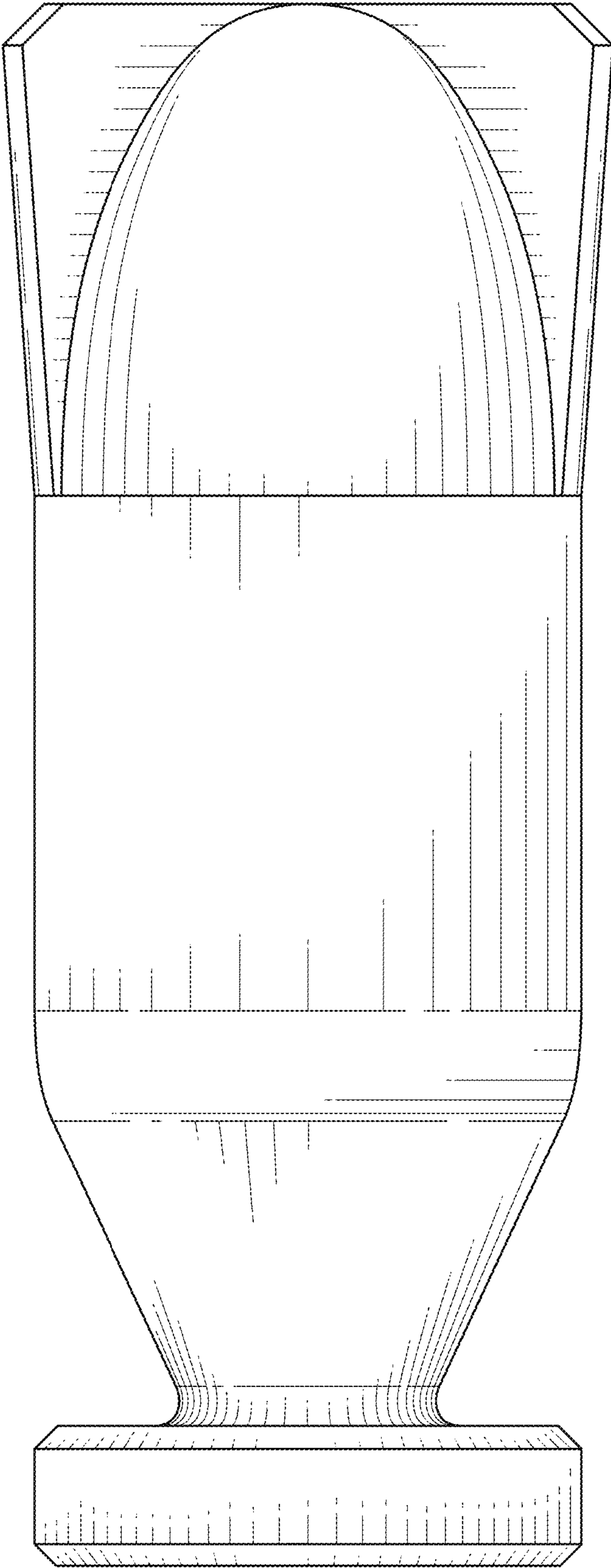


FIG. 9

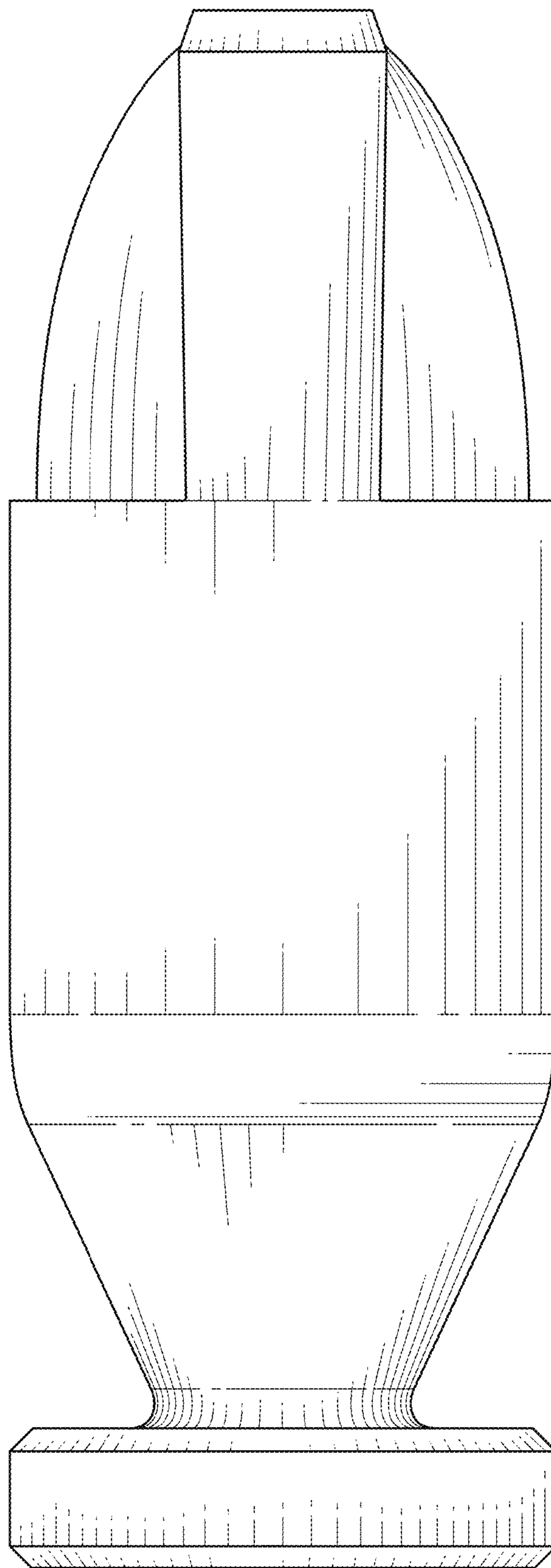


FIG. 10

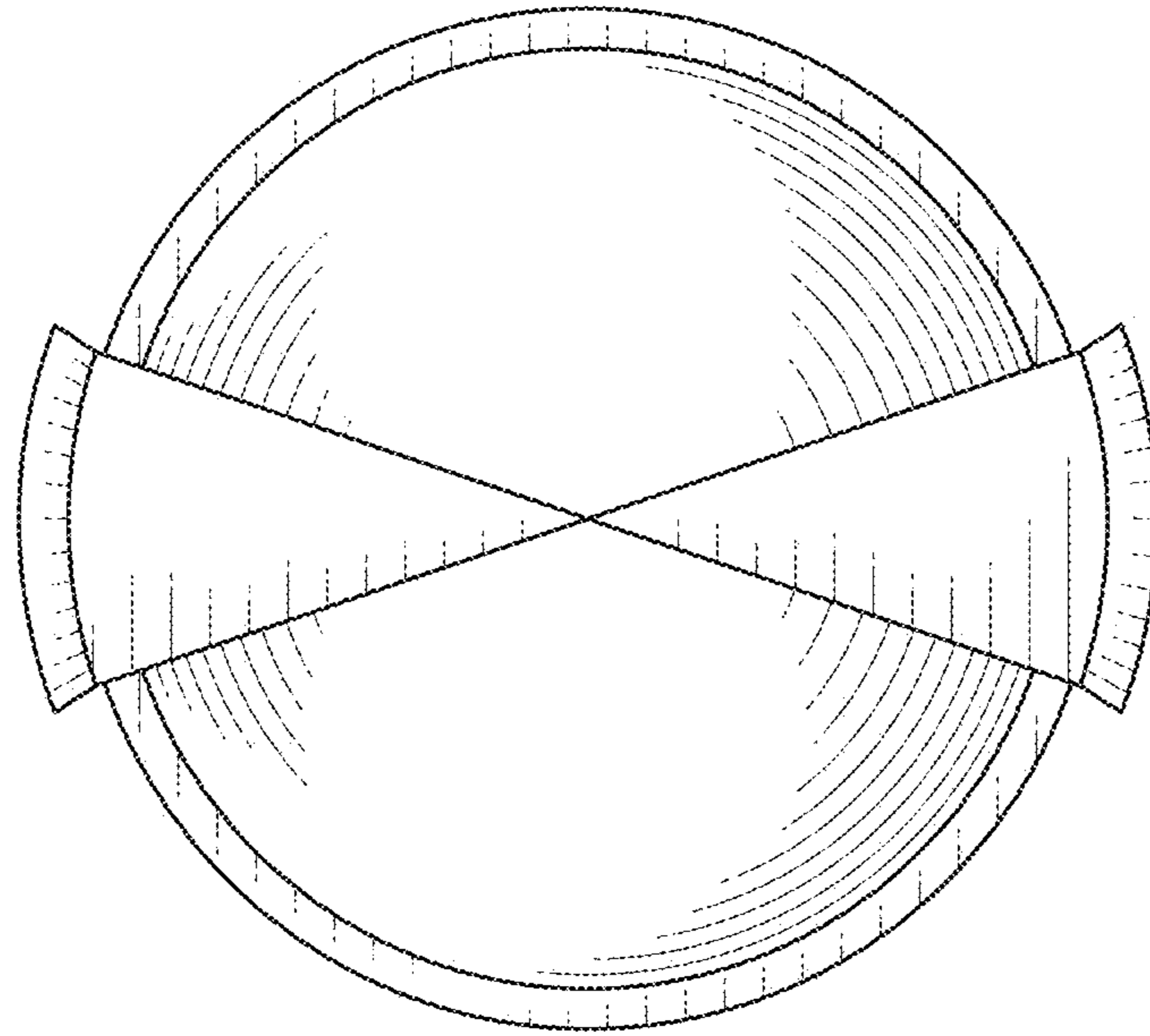


FIG. 11

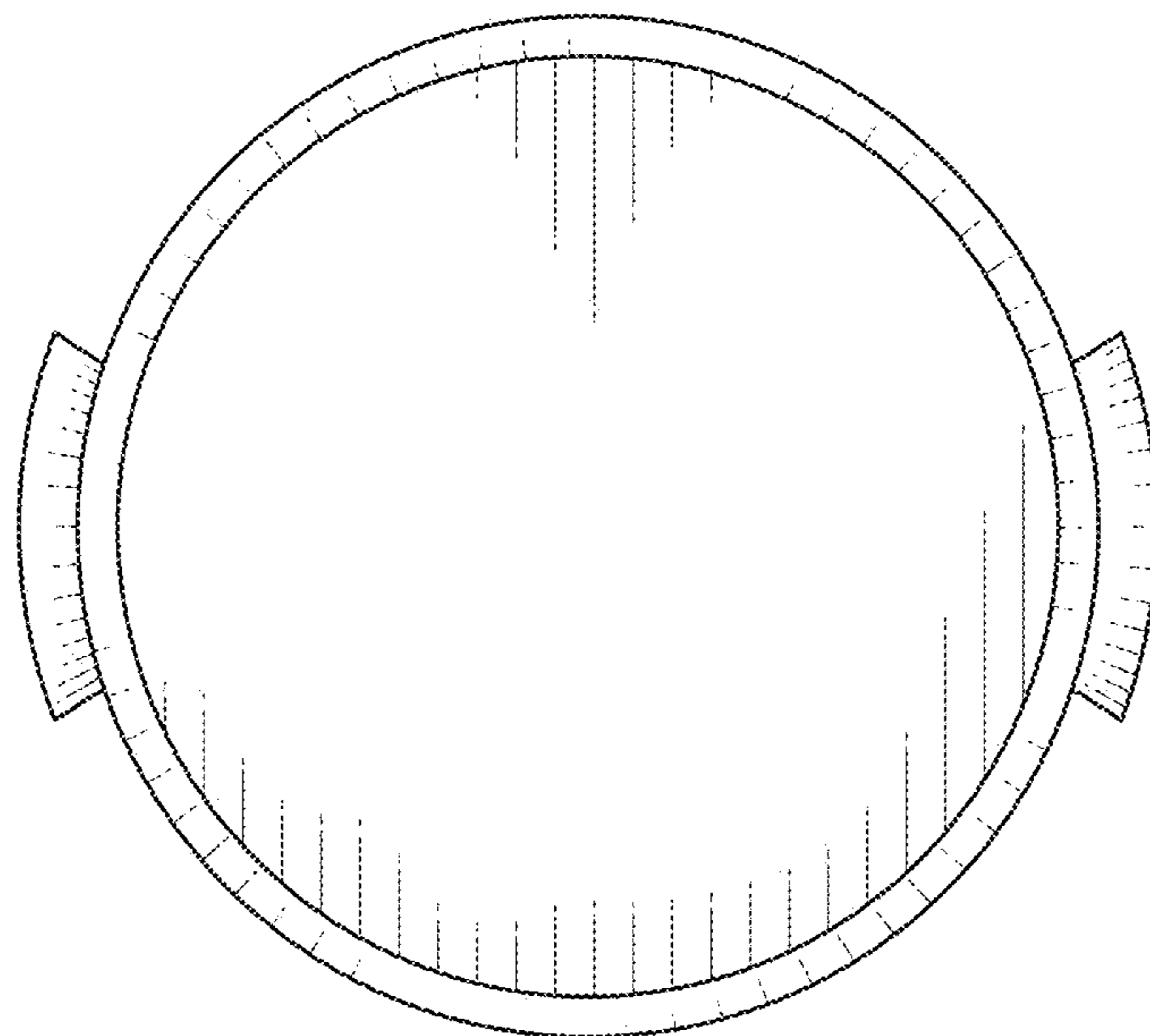


FIG. 12

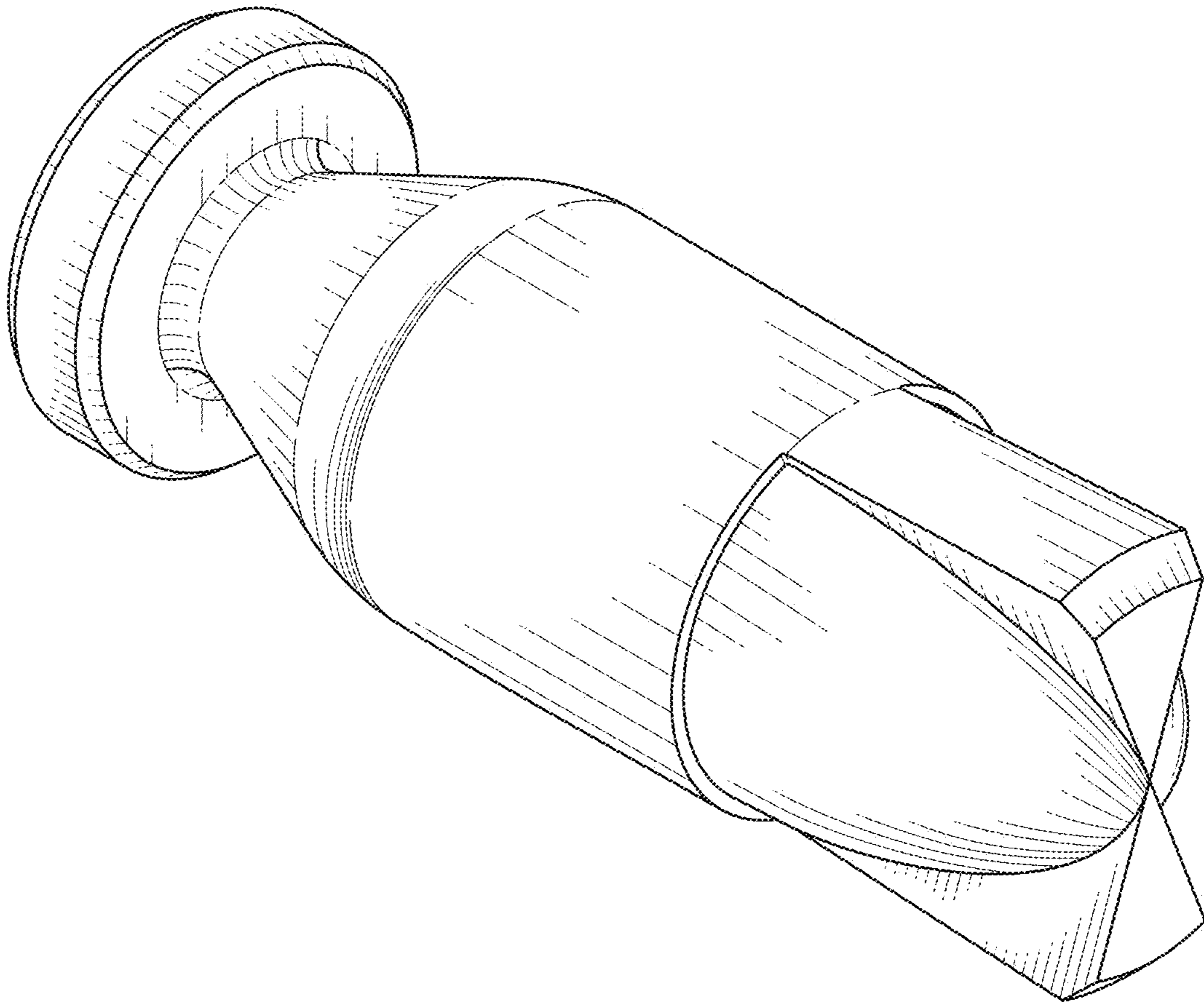


FIG. 13

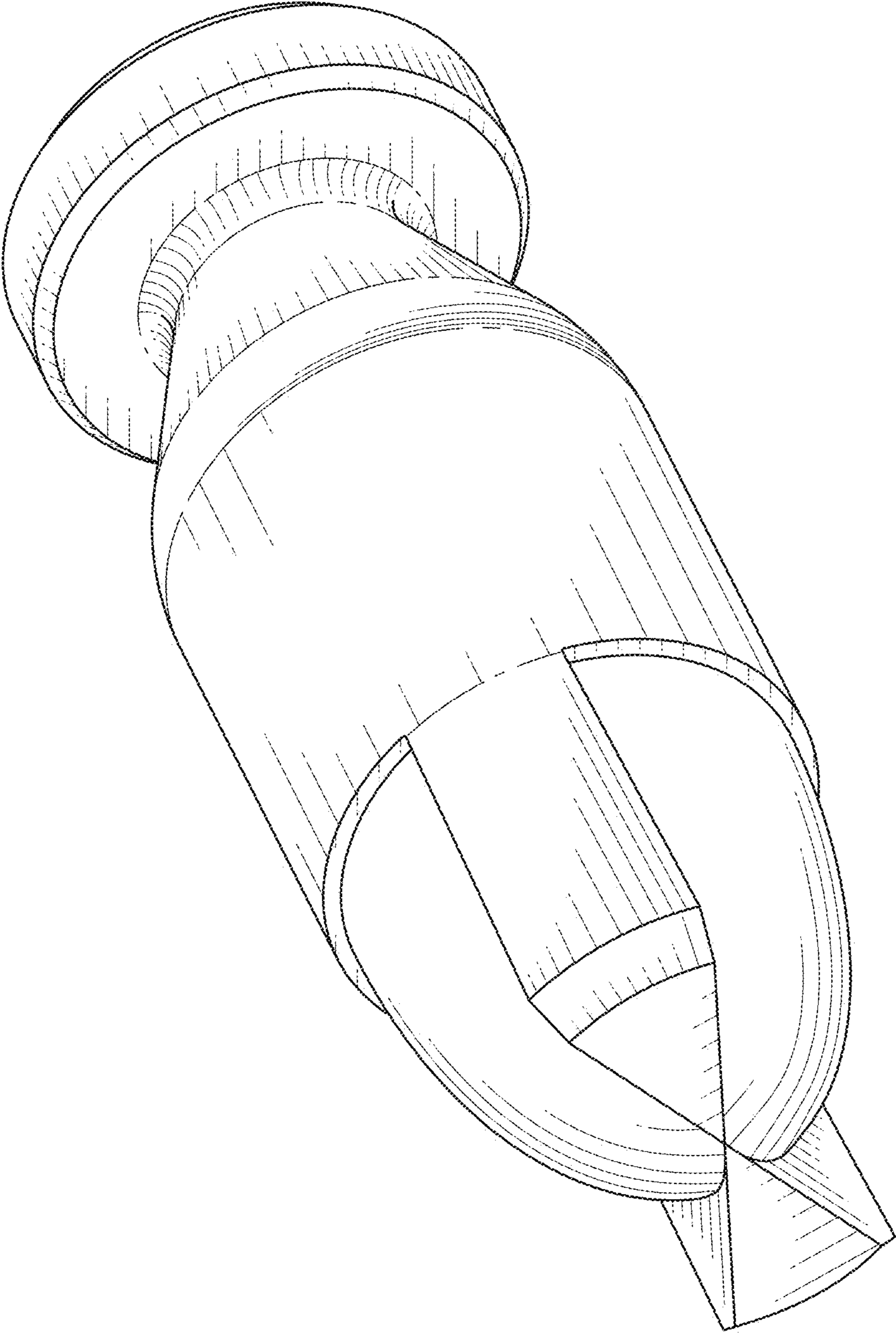


FIG. 14

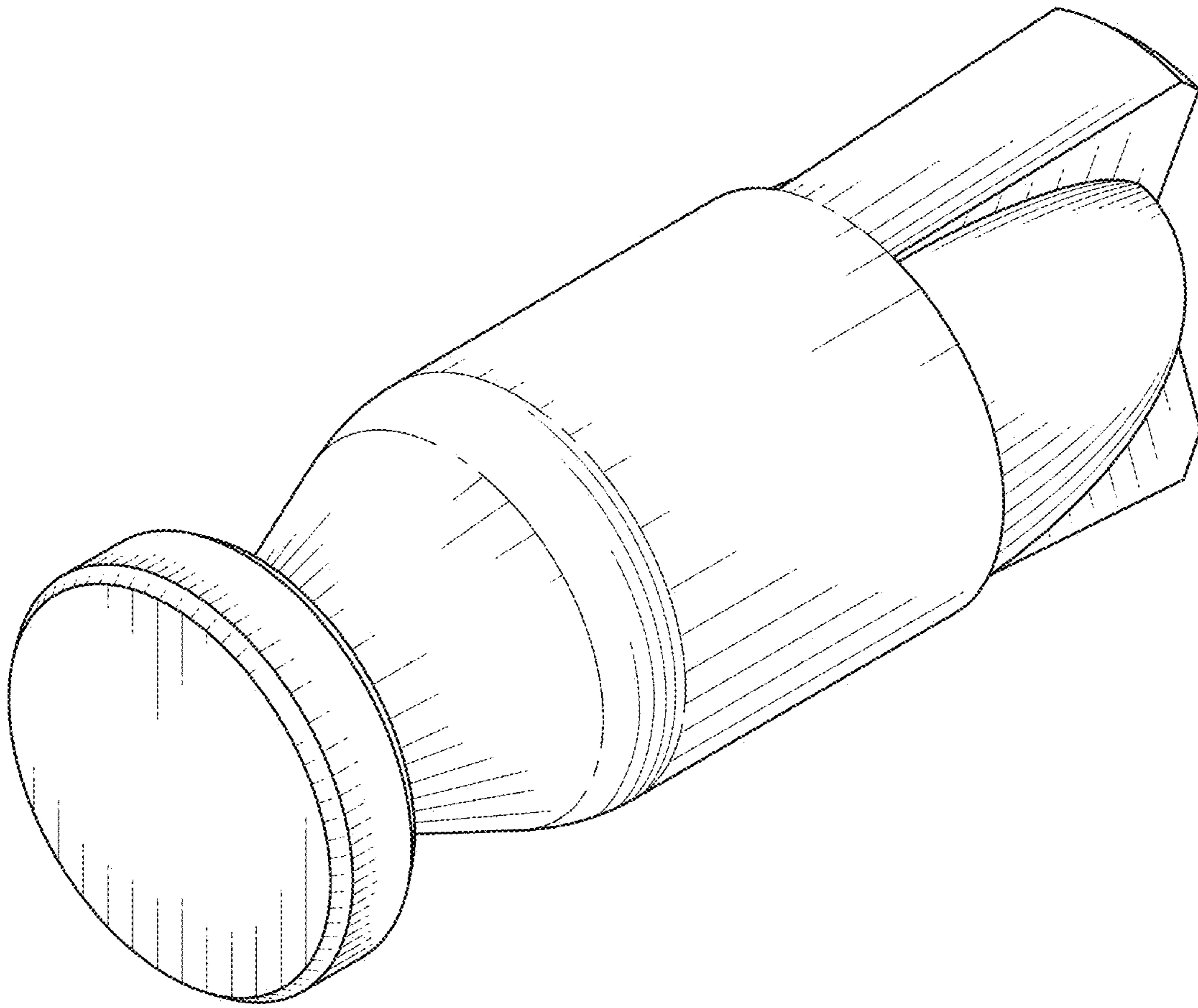


FIG. 15

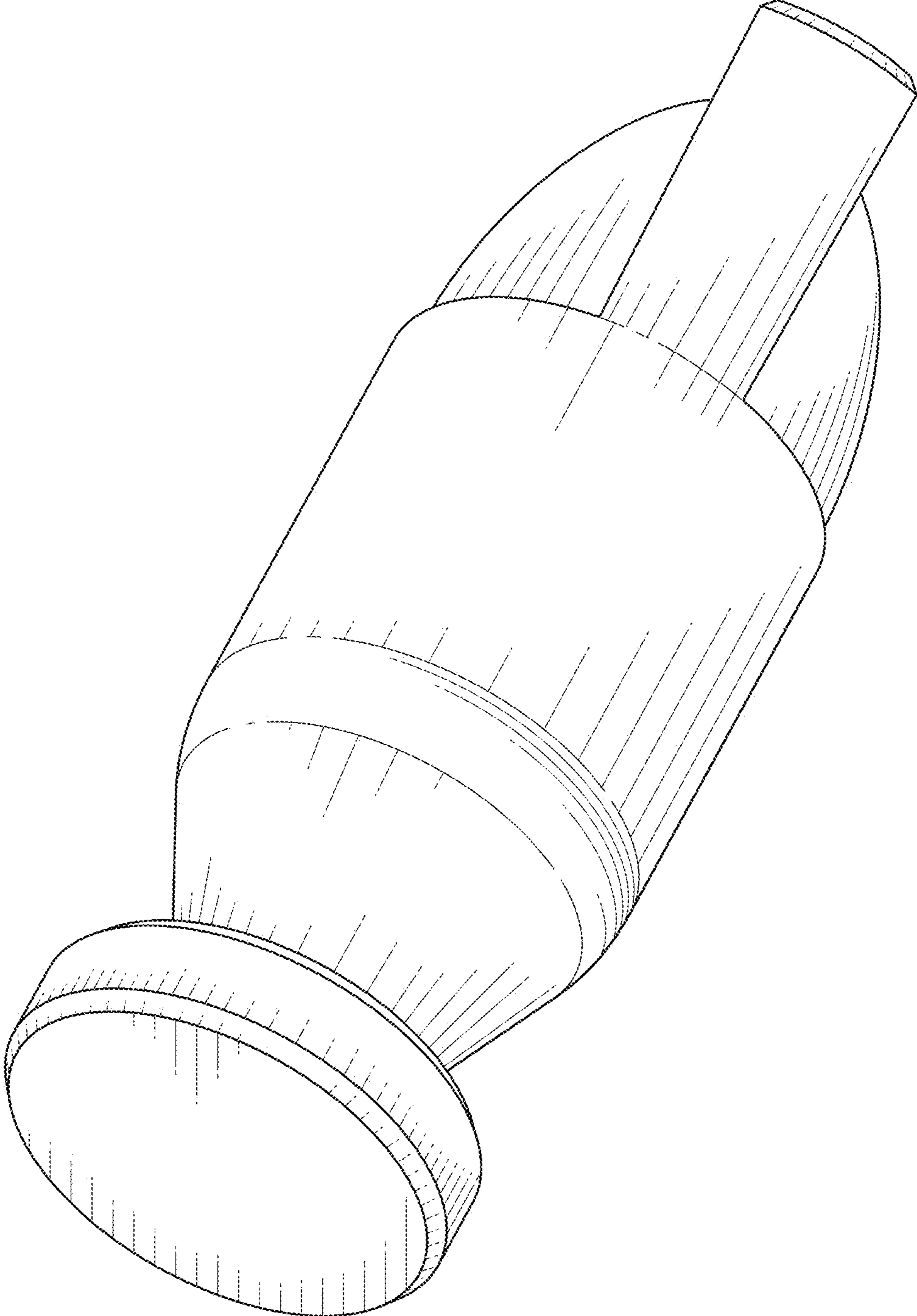


FIG. 16