



US00D877286S

(12) **United States Design Patent** (10) **Patent No.:** **US D877,286 S**
Hartman et al. (45) **Date of Patent:** **** Mar. 3, 2020**

(54) **PERFORATING GUN CONTACT RING**

(71) Applicant: **OSO Perforating, LLC**, Oklahoma City, OK (US)

(72) Inventors: **Tobias D. Hartman**, Irving, TX (US); **Jeremy J. Ursi**, Carrollton, TX (US)

(73) Assignee: **OSO Perforating, LLC**, Oklahoma City, OK (US)

(**) Term: **15 Years**

(21) Appl. No.: **29/657,527**

(22) Filed: **Jul. 23, 2018**

(51) **LOC (12) Cl.** **22-03**

(52) **U.S. Cl.**
USPC **D22/112**

(58) **Field of Classification Search**
USPC D8/354, 358, 382; D12/197; D15/126, D15/138, 139; D22/100, 112, 115, 119, D22/199
CPC E21B 43/116; E21B 43/1185; F42D 1/05; F42D 1/06
See application file for complete search history.

(56) **References Cited**

U.S. PATENT DOCUMENTS

5,347,929 A	9/1994	Lerche et al.	
5,531,164 A	7/1996	Mosley	
5,603,379 A	2/1997	Henke et al.	
5,714,709 A *	2/1998	Schillinger	F42B 33/06 102/255
5,780,764 A *	7/1998	Welch	F42D 1/043 102/275.4
5,803,175 A	9/1998	Myers, Jr. et al.	
D477,554 S *	7/2003	Keefer	D12/197
6,851,471 B2	2/2005	Barlow et al.	
6,926,087 B1	8/2005	Henke et al.	
D511,366 S *	11/2005	Brown	D22/112
6,959,765 B2	11/2005	Bell	

D566,640 S *	4/2008	Holz	D12/197
7,530,397 B2	5/2009	Bell	
7,536,942 B2	5/2009	Bell	
7,698,982 B2	4/2010	Bell	
D647,114 S *	10/2011	Pearce	D15/139
D647,115 S *	10/2011	Pearce	D15/139
RE43,120 E *	1/2012	Popov	D10/70

(Continued)

FOREIGN PATENT DOCUMENTS

WO	WO2016186611 A1	11/2016
WO	WO2018030996 A1	2/2018

Primary Examiner — Michael C Stout

Assistant Examiner — Fritzgerald L Butac

(74) *Attorney, Agent, or Firm* — Fish & Richardson P.C.

(57) **CLAIM**

The ornamental design for a perforating gun contact ring, as shown and described.

DESCRIPTION

FIG. 1 is a top, left perspective view of a perforating gun contact ring, according to our new design.

FIG. 2 is a top, right perspective view of the perforating gun contact ring of FIG. 1.

FIG. 3 is a right view of the perforating gun contact ring of FIG. 1.

FIG. 4 is a left view of the perforating gun contact ring of FIG. 1.

FIG. 5 is a front view of the perforating gun contact ring of FIG. 1.

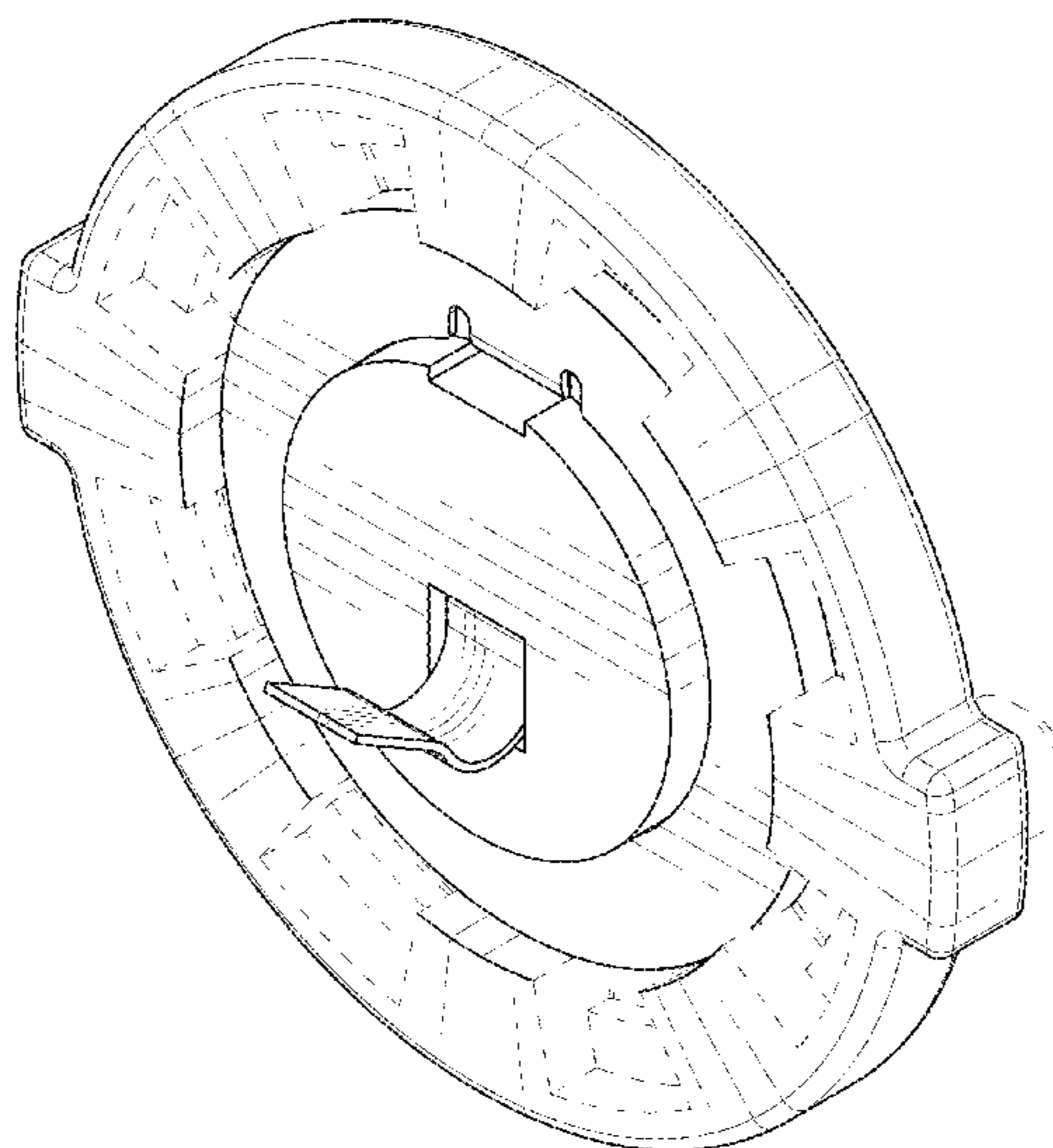
FIG. 6 is a back view of the perforating gun contact ring of FIG. 1.

FIG. 7 is a top view of the perforating gun contact ring of FIG. 1; and,

FIG. 8 is a bottom view of the perforating gun contact ring of FIG. 1.

The broken lines show portions of a perforating gun contact ring that form no part of the claimed design.

1 Claim, 7 Drawing Sheets



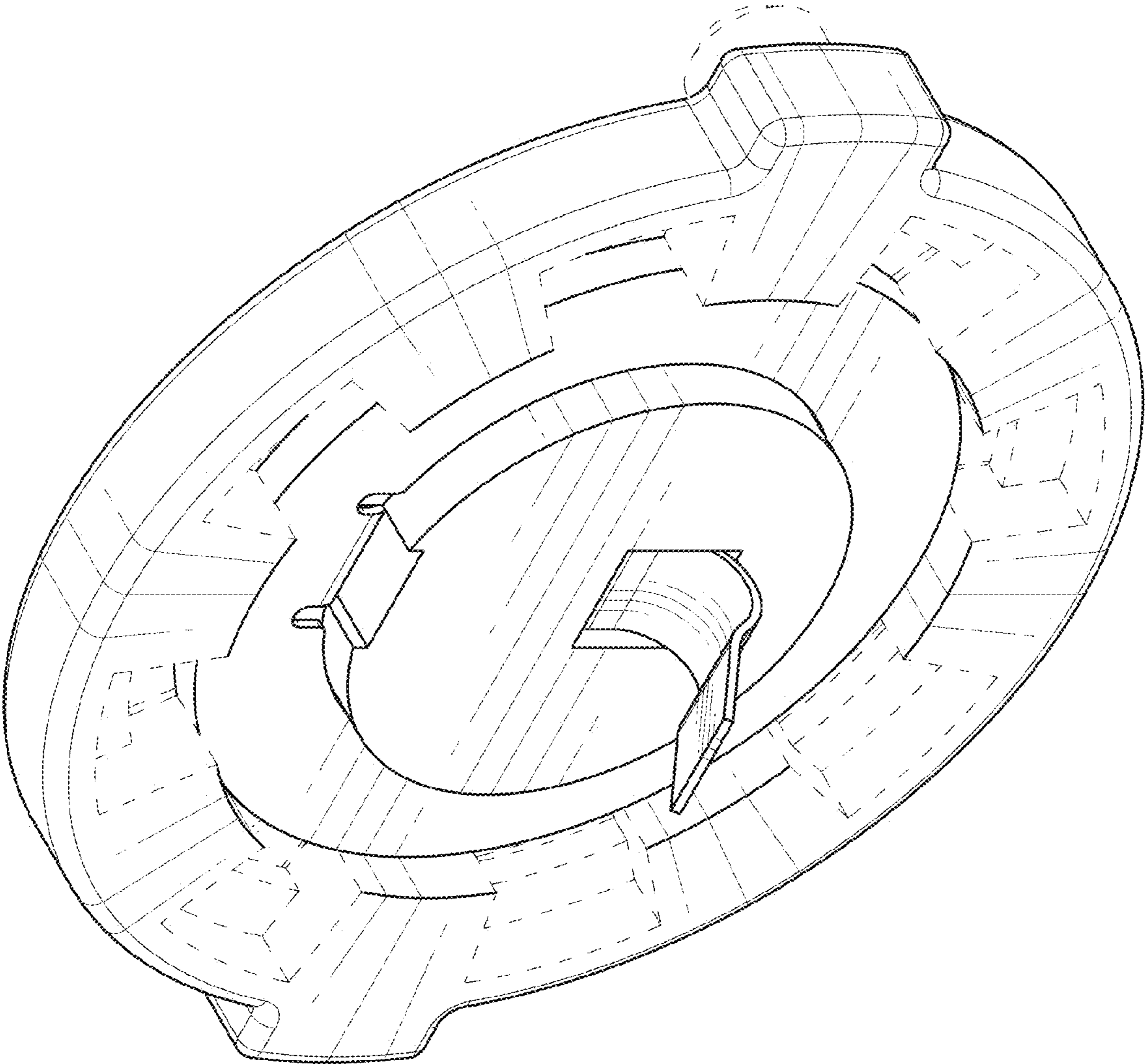


FIG. 1

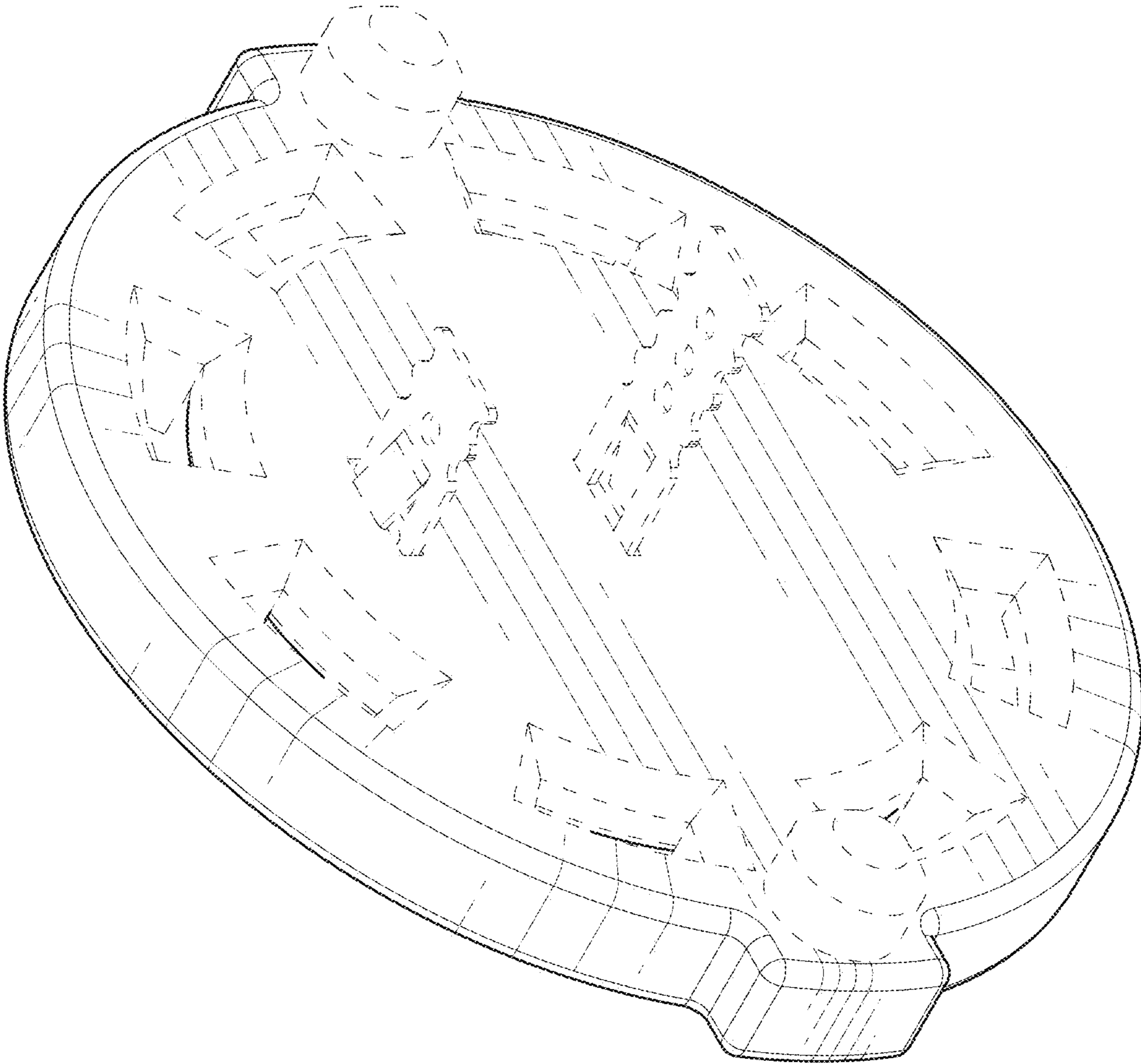


FIG. 2

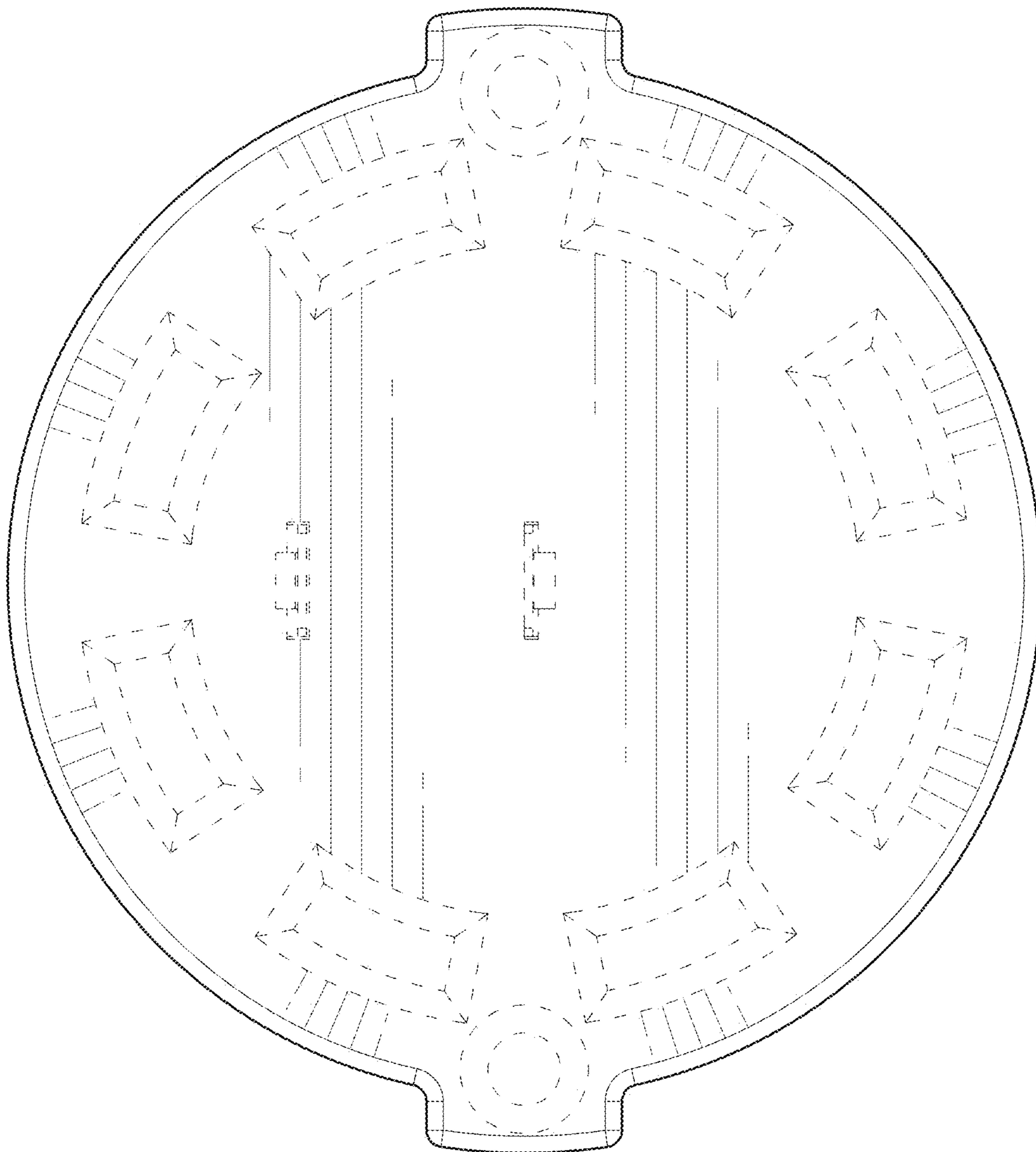


FIG. 3

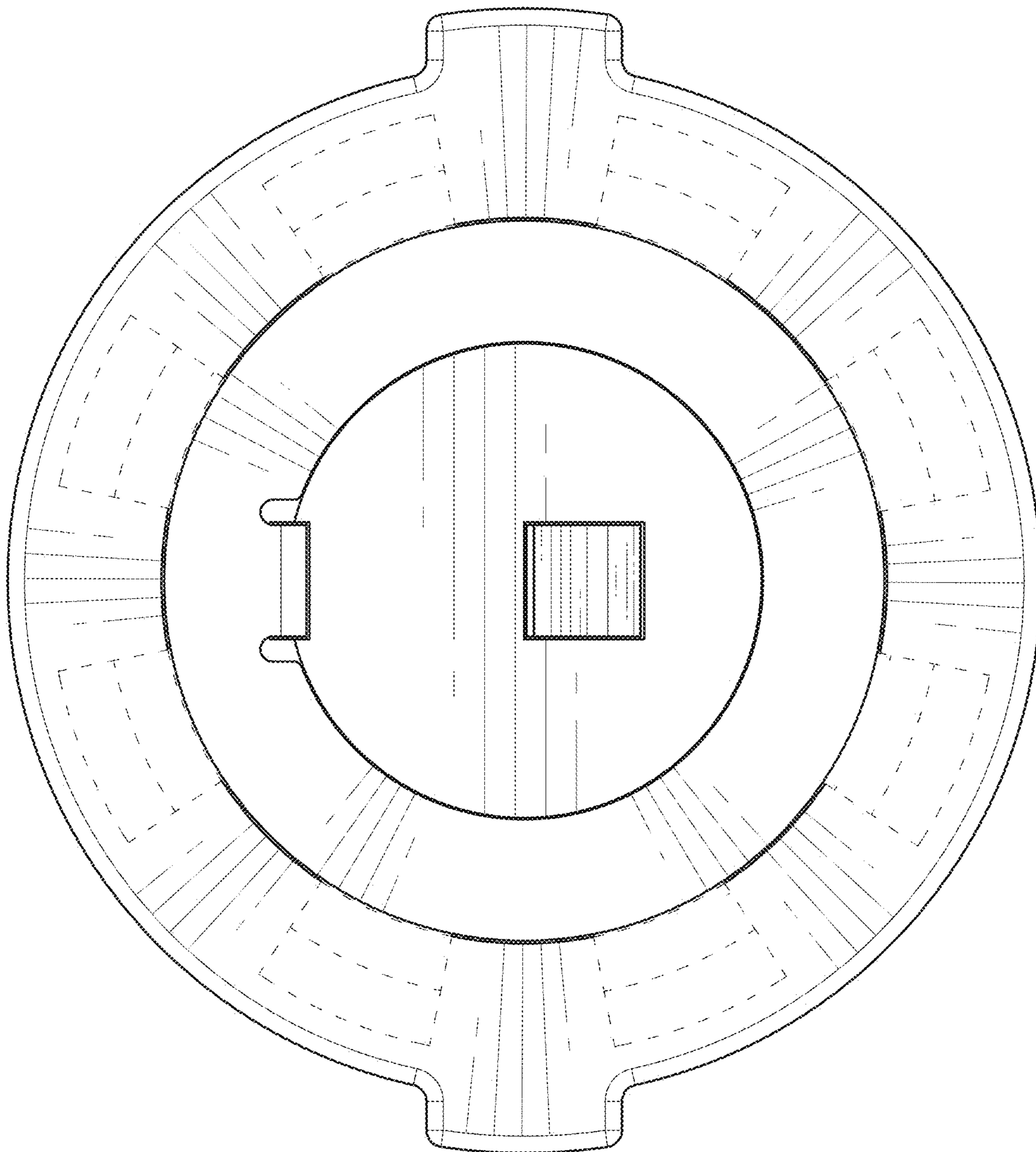


FIG. 4

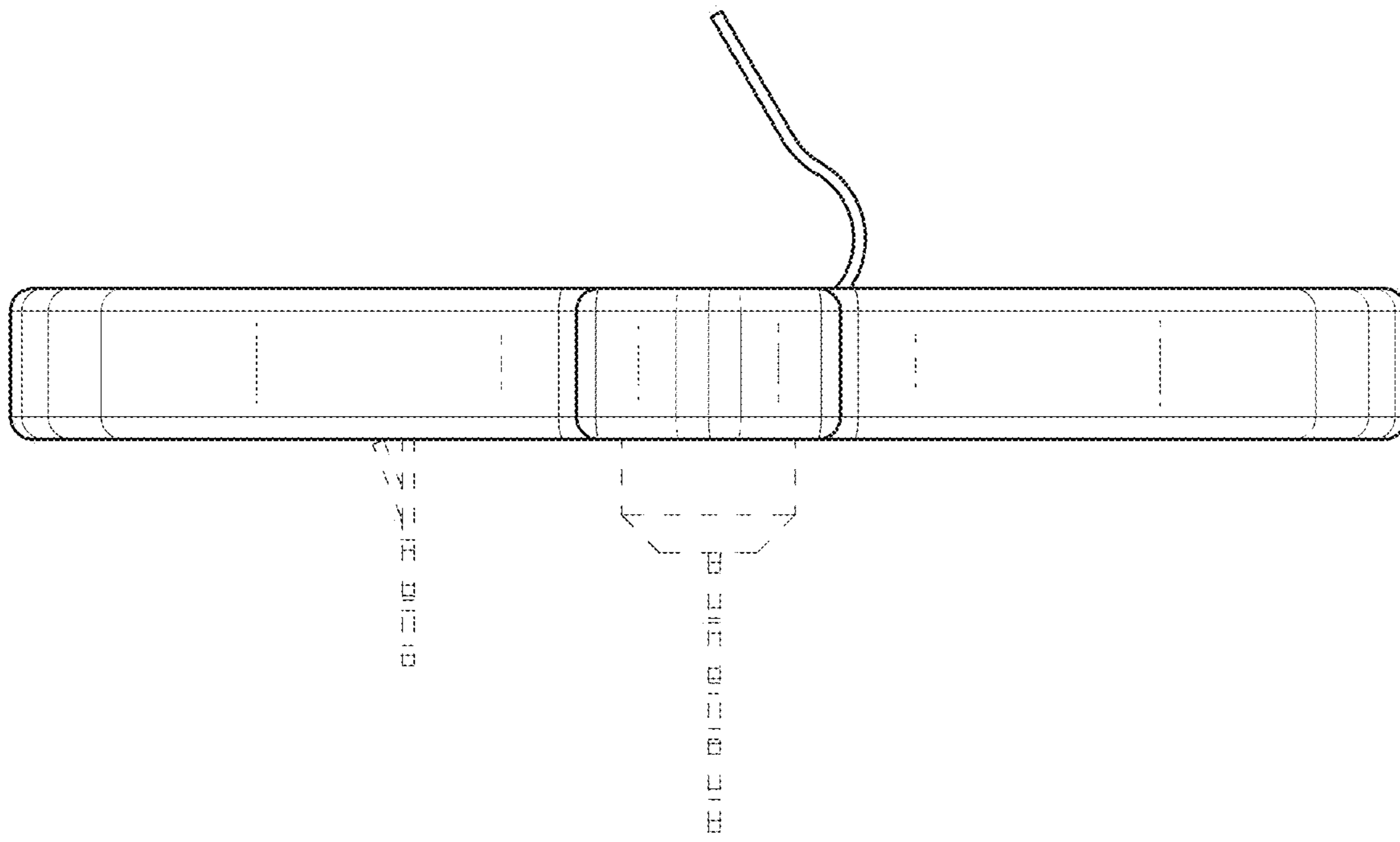


FIG. 5

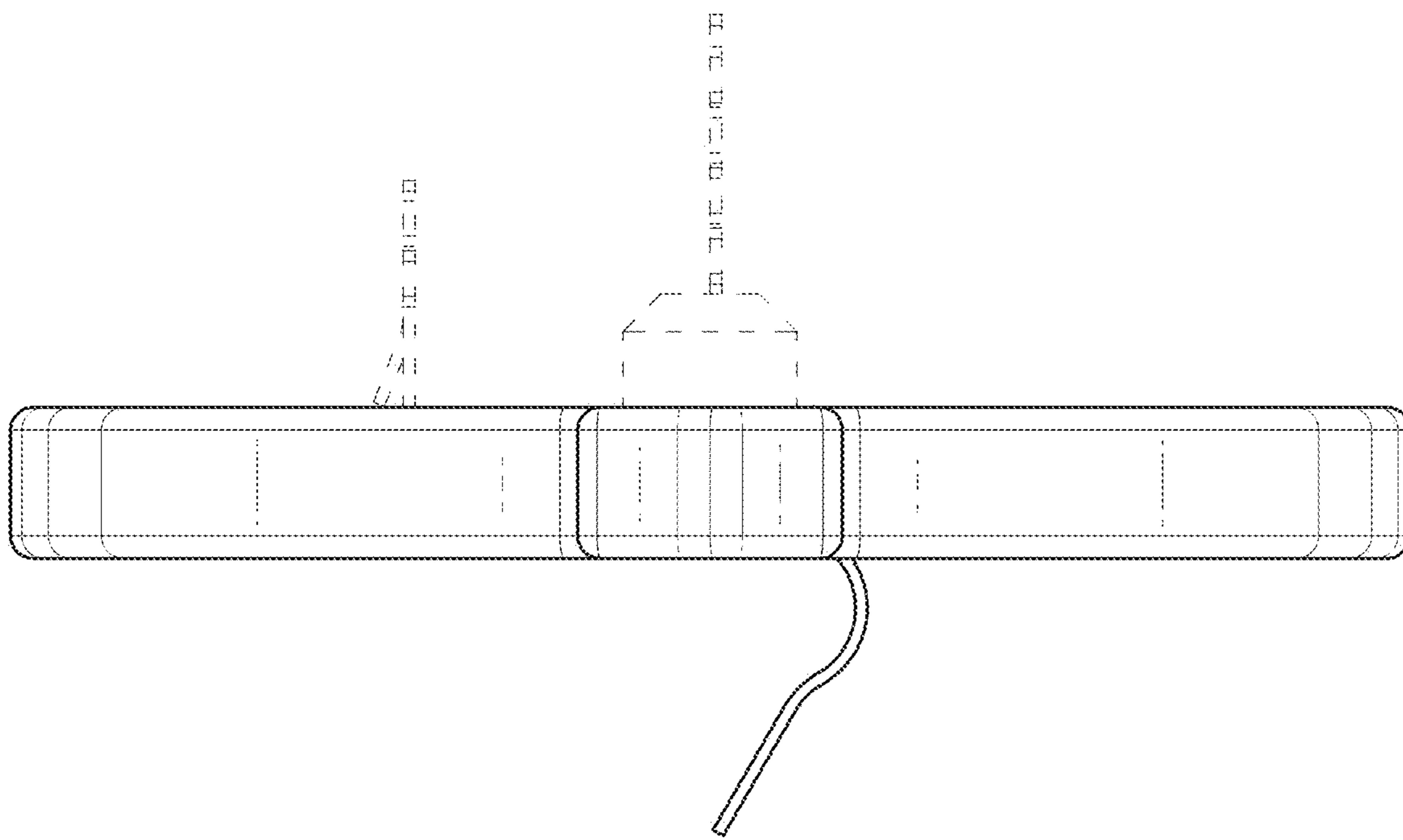


FIG. 6

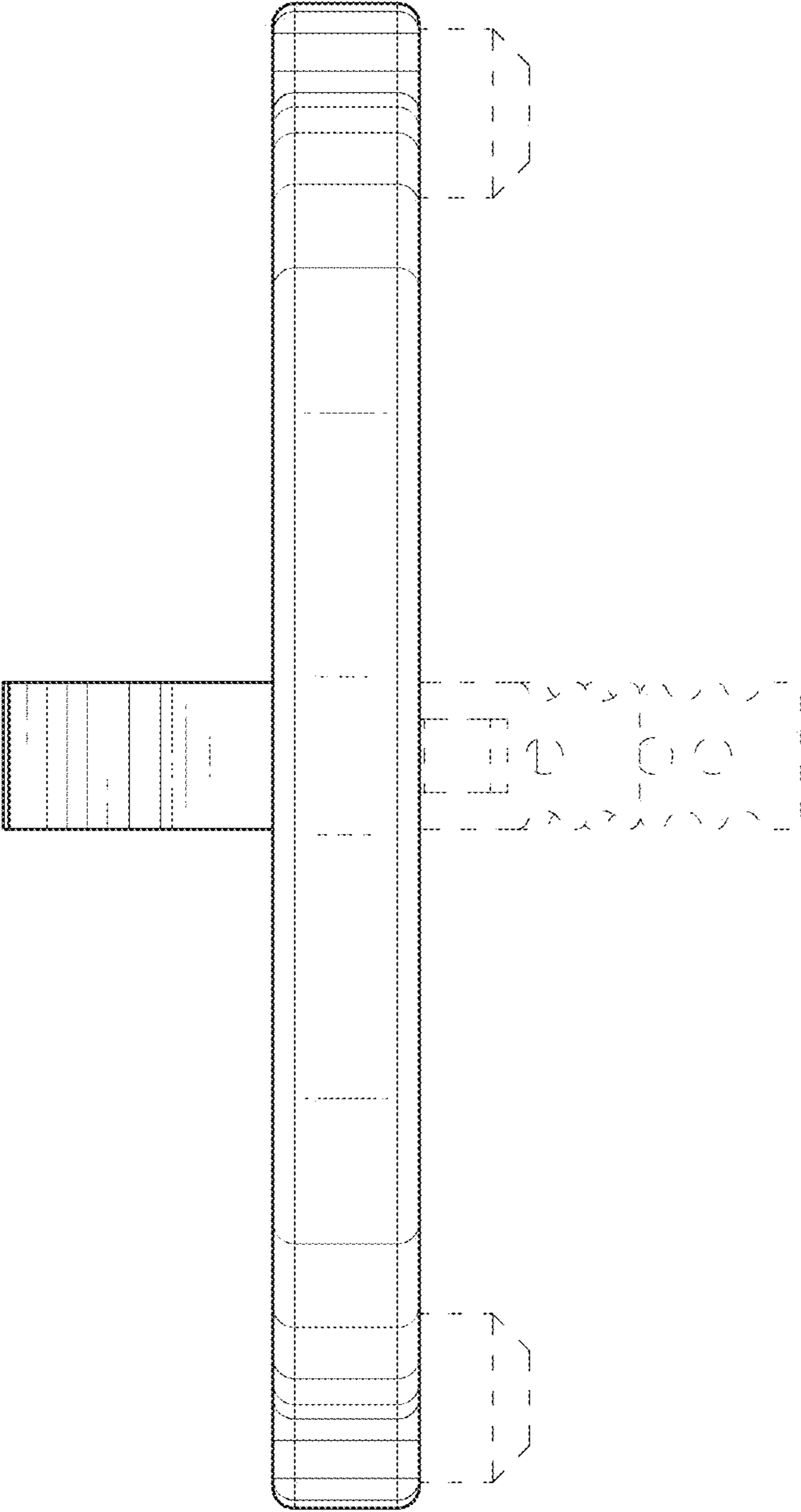


FIG. 7

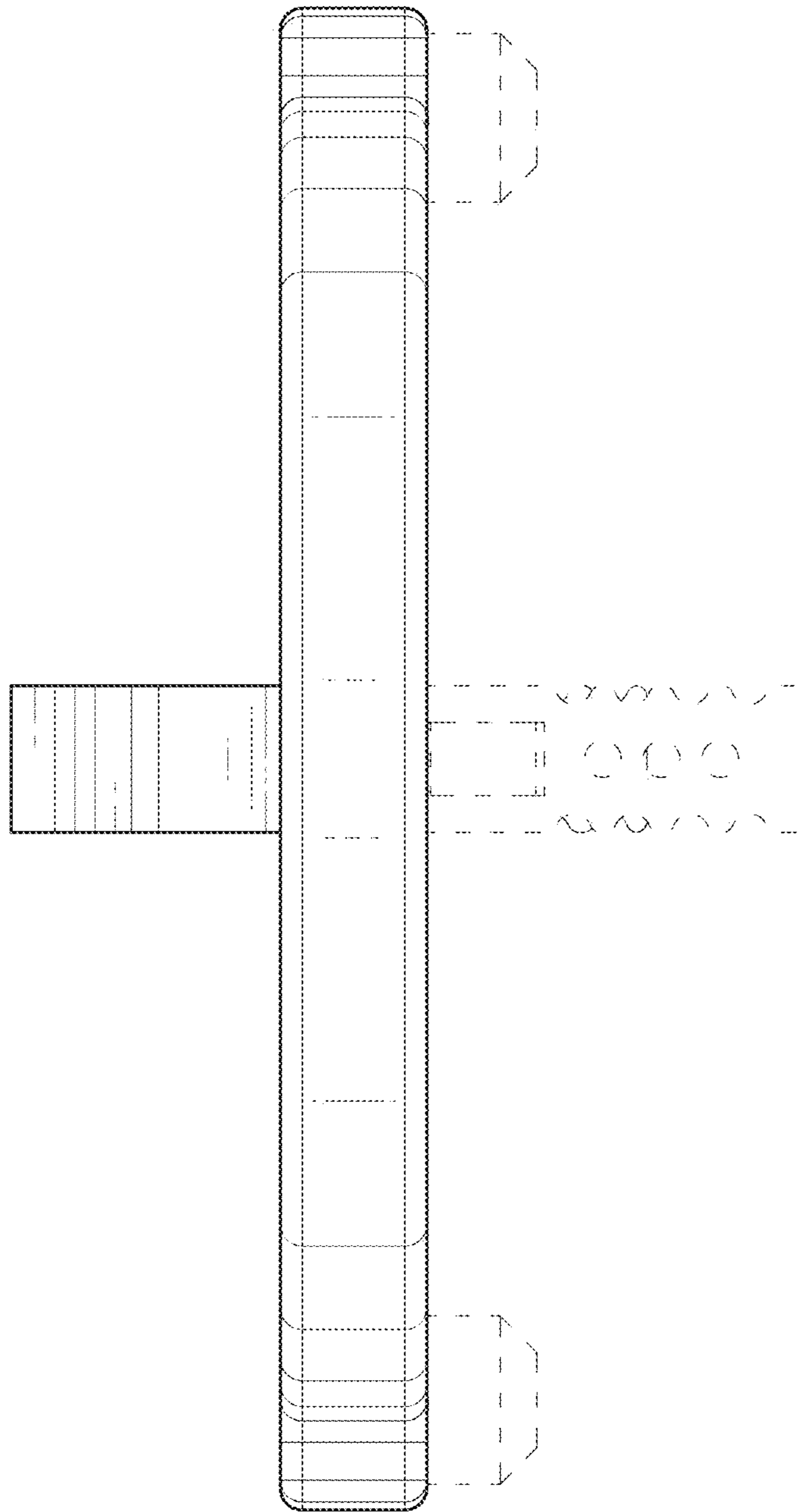


FIG. 8