



US00D877283S

(12) **United States Design Patent**  
**Hu**

(10) **Patent No.:** **US D877,283 S**

(45) **Date of Patent:** **\*\* Mar. 3, 2020**

(54) **GUN BODY**

(71) Applicant: **Shih-Che Hu**, Tainan (TW)

(72) Inventor: **Shih-Che Hu**, Tainan (TW)

(\*\*) Term: **15 Years**

(21) Appl. No.: **29/670,784**

(22) Filed: **Nov. 20, 2018**

(51) **LOC (12) Cl.** ..... **22-01**

(52) **U.S. Cl.**  
USPC ..... **D22/108**

(58) **Field of Classification Search**

USPC ..... D22/100, 103, 104, 105, 108, 109, 110,  
D22/111, 199; D21/567, 573, 574, 575

CPC ..... F41C 23/04; F41C 23/08; F41C 23/16;  
F41G 1/02; F41G 1/027; F41G 1/06;  
F41A 17/46; F41A 19/11

See application file for complete search history.

(56) **References Cited**

**U.S. PATENT DOCUMENTS**

D600,771	S	*	9/2009	Fitzpatrick	.....	D22/108
D603,011	S	*	10/2009	Fitzpatrick	.....	D22/108
D603,012	S	*	10/2009	Fitzpatrick	.....	D22/108
D636,832	S	*	4/2011	Mayberry	.....	D22/108
D689,974	S	*	9/2013	Sharps	.....	D22/108
D713,485	S	*	9/2014	Firpo, I	.....	D22/108
8,985,006	B1	*	3/2015	Christensen	.....	F41A 17/82 89/142
D726,862	S	*	4/2015	Crume, Sr.	.....	D22/108
D726,863	S	*	4/2015	Crume, Sr.	.....	D22/108
D746,400	S	*	12/2015	Folkestad, II	.....	D22/108
D746,936	S	*	1/2016	Huang	.....	D22/108
D755,338	S	*	5/2016	Slank	.....	D22/108
D760,860	S	*	7/2016	Vincent	.....	D22/108
D764,005	S	*	8/2016	Neil	.....	D22/108
D765,211	S	*	8/2016	Huang	.....	D22/108
D773,585	S	*	12/2016	Miller, III	.....	D22/108

D782,596	S	*	3/2017	Angstadt	.....	D22/108
D789,476	S	*	6/2017	Dustin	.....	D22/103
9,677,845	B2	*	6/2017	Cook, Jr.	.....	F41A 21/44
D795,379	S	*	8/2017	Frederickson	.....	D22/108
D796,619	S	*	9/2017	Morris	.....	D22/108
D805,154	S	*	12/2017	Steele	.....	D22/108
9,897,402	B2	*	2/2018	Pettit	.....	F41A 3/66
D820,937	S	*	6/2018	Hiler, Jr.	.....	D22/108
10,030,926	B2	*	7/2018	Mather	.....	F41A 17/46
10,054,379	B2	*	8/2018	Lammers	.....	F41C 23/04
D828,893	S	*	9/2018	Adolfson	.....	D22/108
10,101,102	B2	*	10/2018	Eitan	.....	F41A 11/02
D833,563	S	*	11/2018	Snively	.....	D22/108
D834,112	S	*	11/2018	Chu	.....	D21/573
D835,225	S	*	12/2018	Podgurny	.....	D22/108
D841,109	S	*	2/2019	Cross	.....	D22/108

(Continued)

*Primary Examiner* — Khawaja Anwar

*Assistant Examiner* — Mojtaba Tehrani

(74) *Attorney, Agent, or Firm* — Raymond Y. Chan;  
David and Raymond Patents Firm

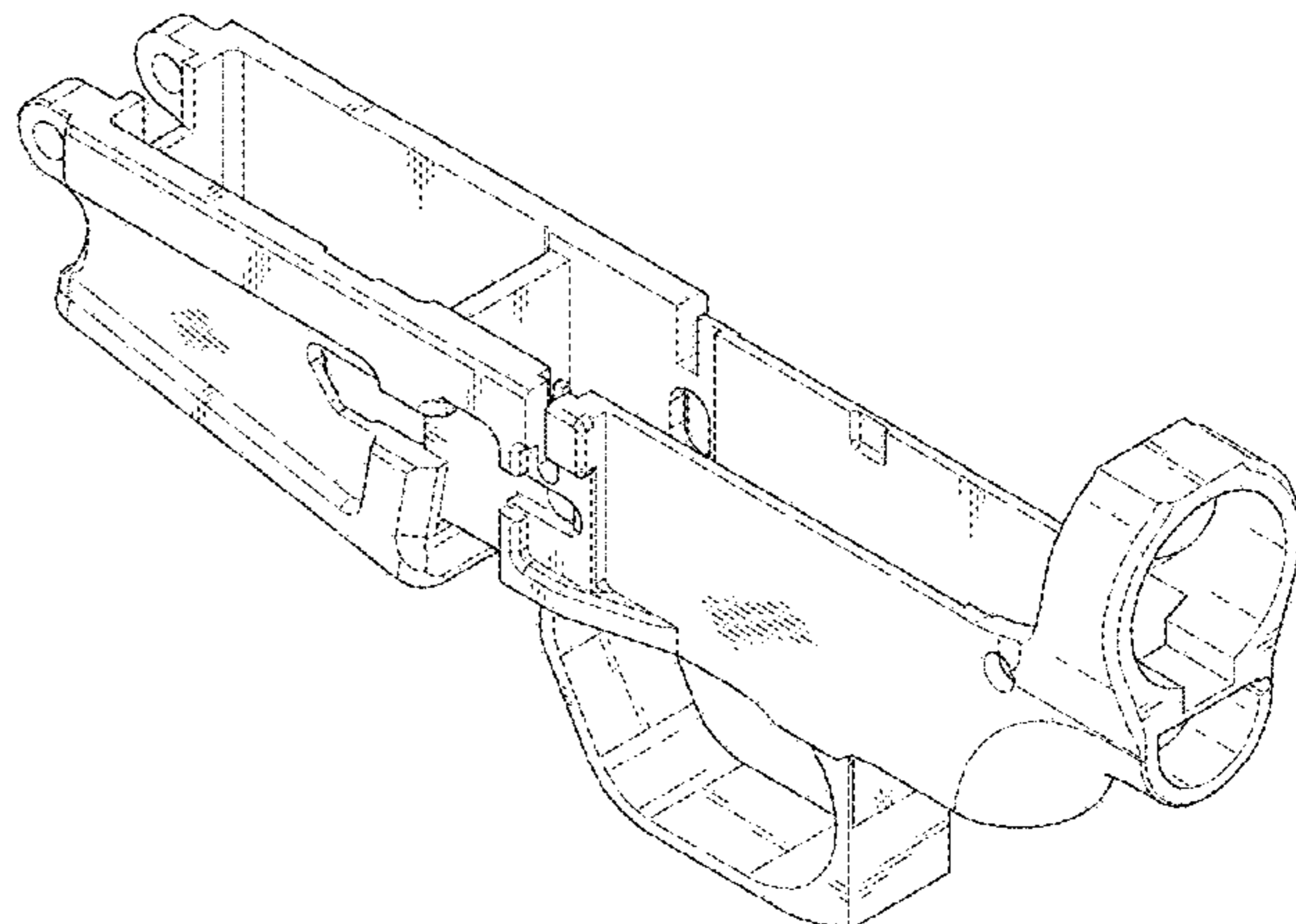
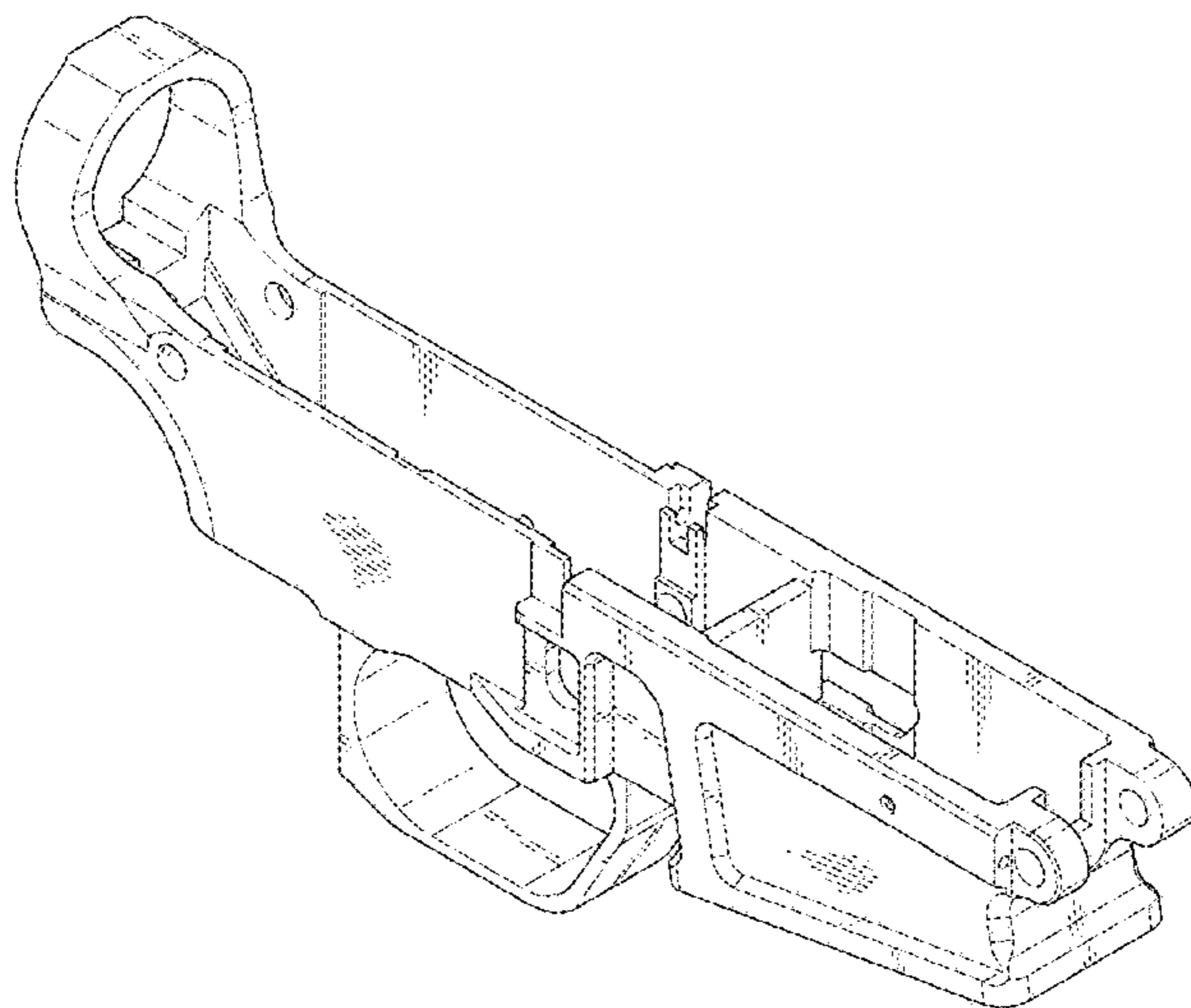
(57) **CLAIM**

The ornamental design for a gun body, as shown and described.

**DESCRIPTION**

FIG. 1 is a front perspective view of gun body showing my new design;  
FIG. 2 is a front view thereof;  
FIG. 3 is a rear view thereof;  
FIG. 4 is a left end view thereof;  
FIG. 5 is a right end view thereof;  
FIG. 6 is a top view thereof;  
FIG. 7 is a bottom view thereof;  
FIG. 8 is a rear perspective view thereof; and,  
FIG. 9 is a side elevation view thereof in a condition of use.  
The broken line in the drawings depicts unclaimed subject matter only and forms no part of the claimed design.

**1 Claim, 7 Drawing Sheets**



(56)

**References Cited**

U.S. PATENT DOCUMENTS

D849,175 S \* 5/2019 Willits ..... D22/108  
10,352,650 B2 \* 7/2019 Hiler, Jr. .... F41A 21/482  
10,393,468 B2 \* 8/2019 Maugham ..... F41A 19/11  
D861,115 S \* 9/2019 Podgurny ..... D22/108  
2006/0283067 A1 \* 12/2006 Herring ..... F41A 3/66  
42/75.01  
2017/0160032 A1 \* 6/2017 Overstreet ..... F41A 17/36  
2017/0284761 A1 \* 10/2017 Lewis ..... F41A 3/66  
2018/0347925 A1 \* 12/2018 Gibbens ..... F41A 3/66

\* cited by examiner

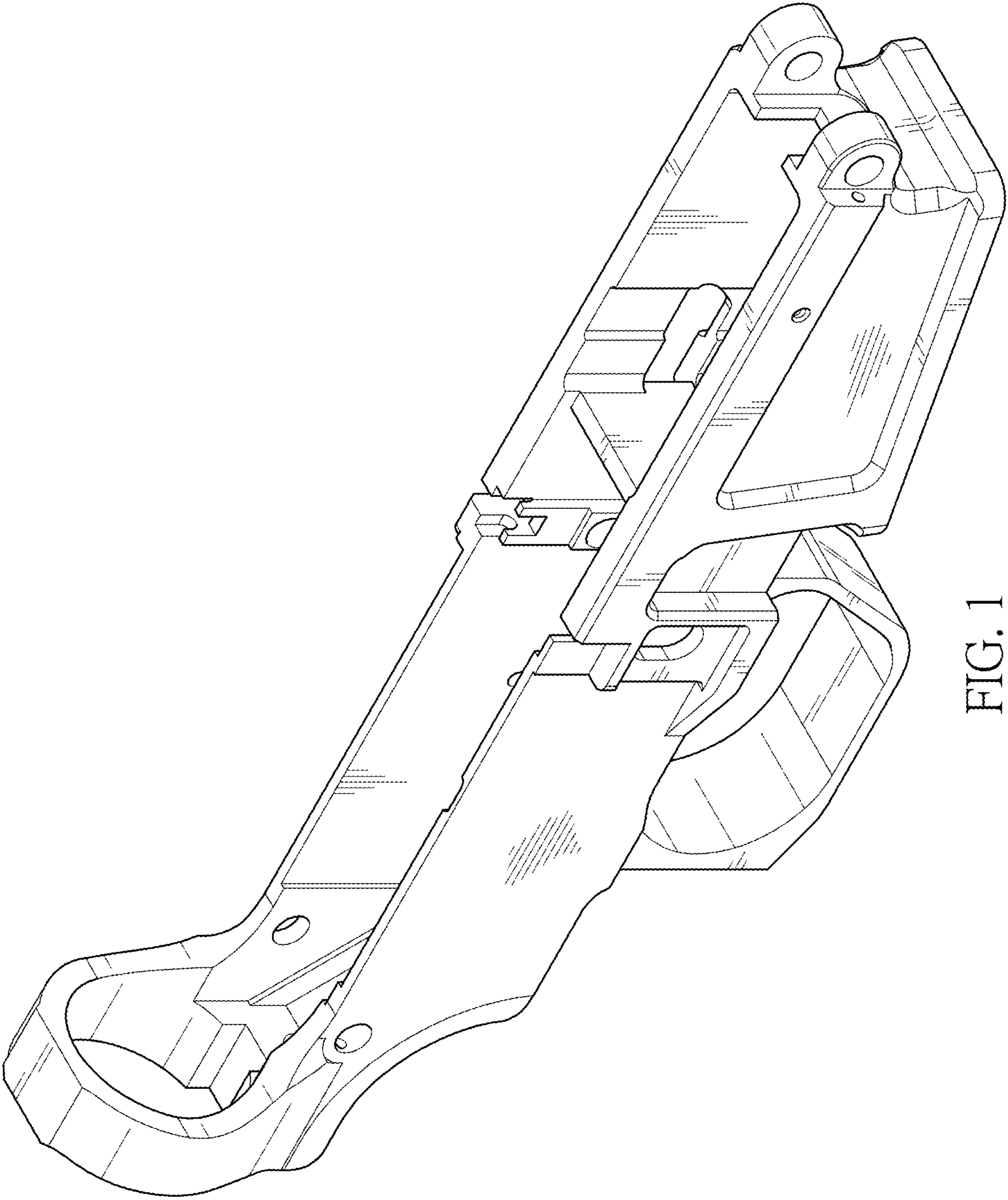


FIG. 1

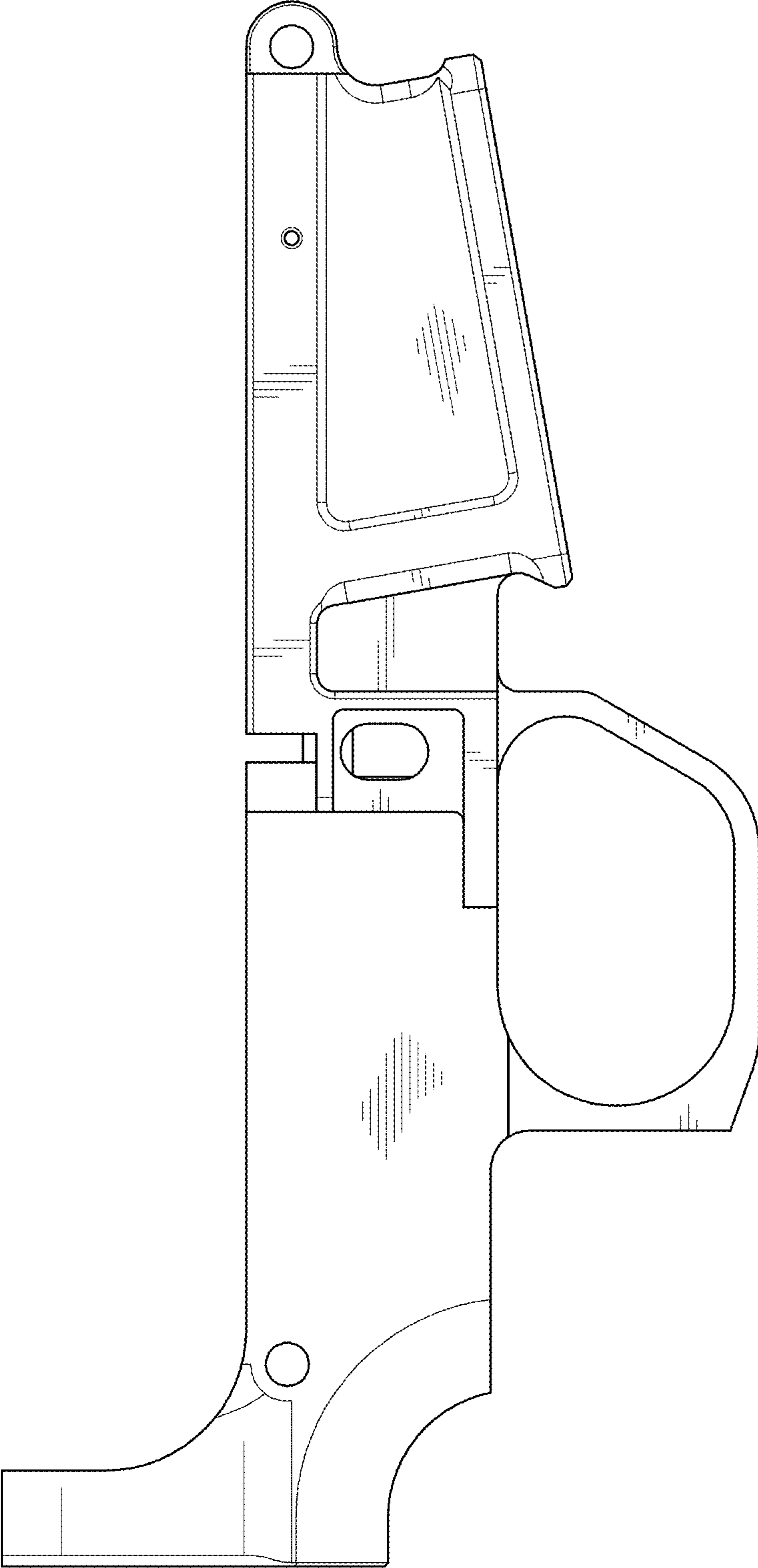


FIG. 2

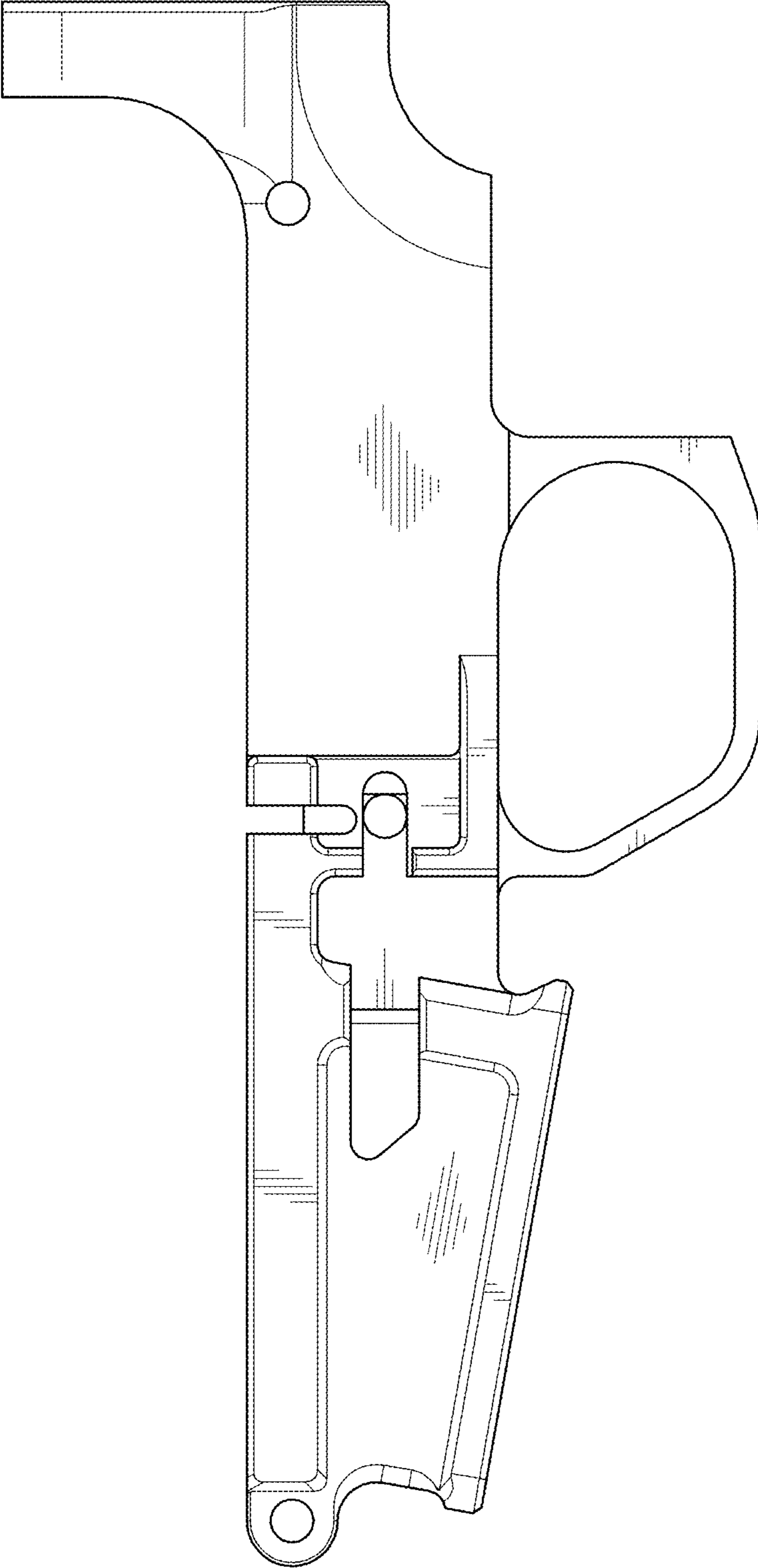


FIG. 3

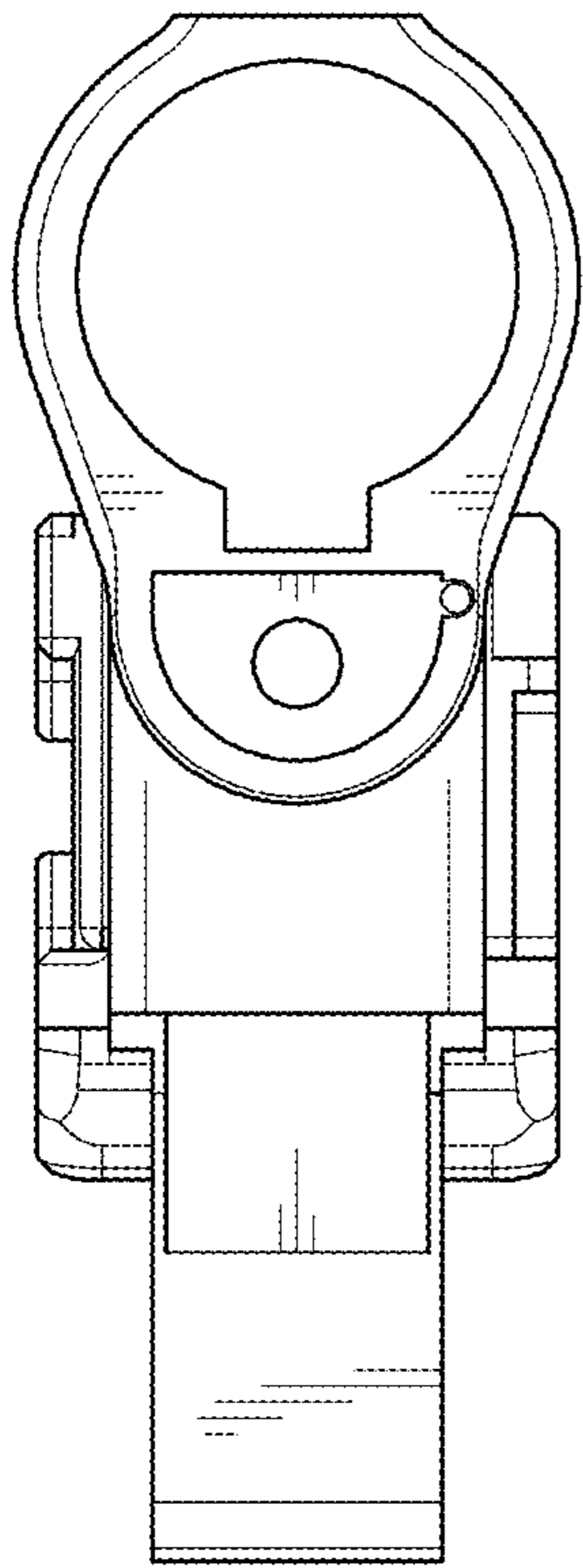


FIG. 4

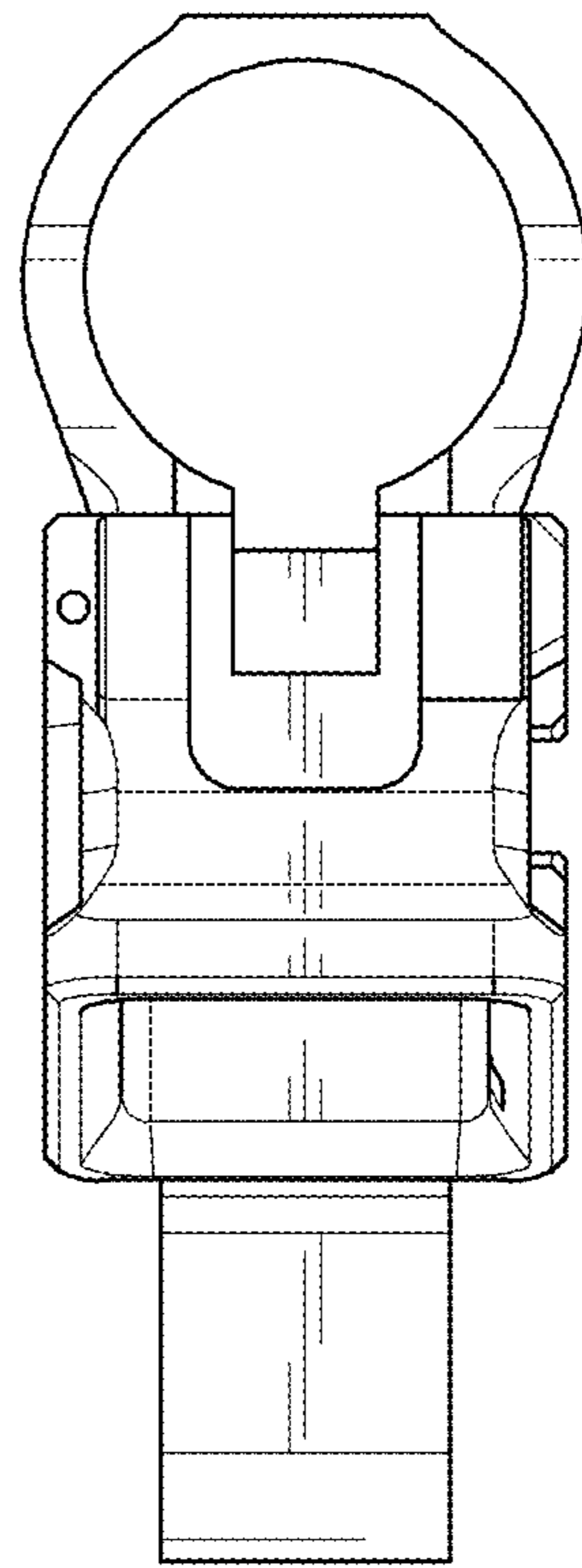


FIG. 5

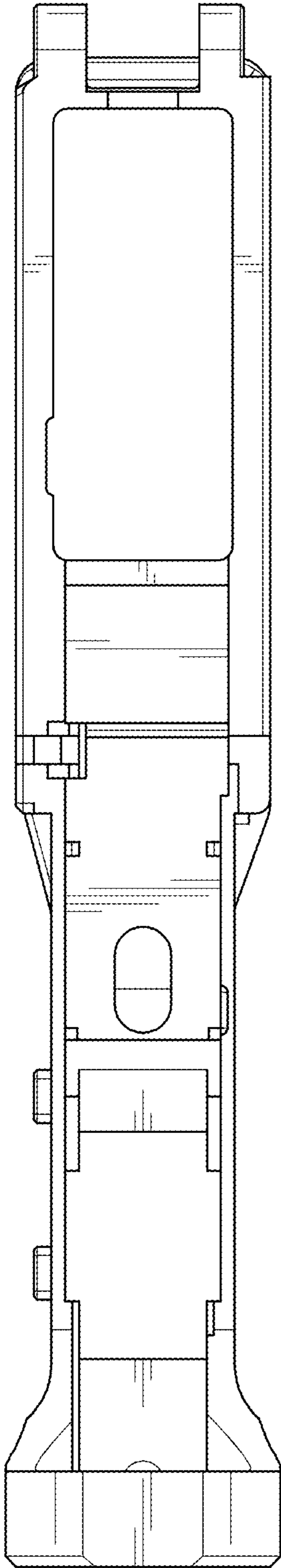


FIG. 6

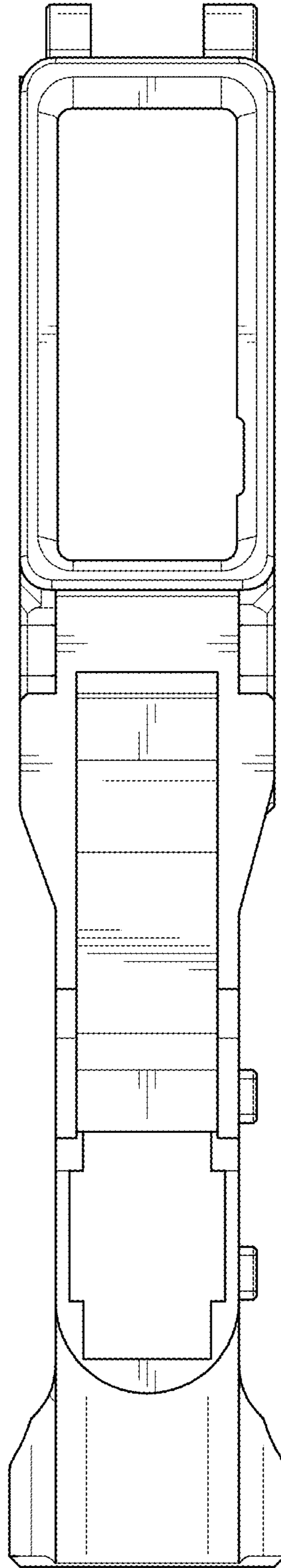


FIG. 7

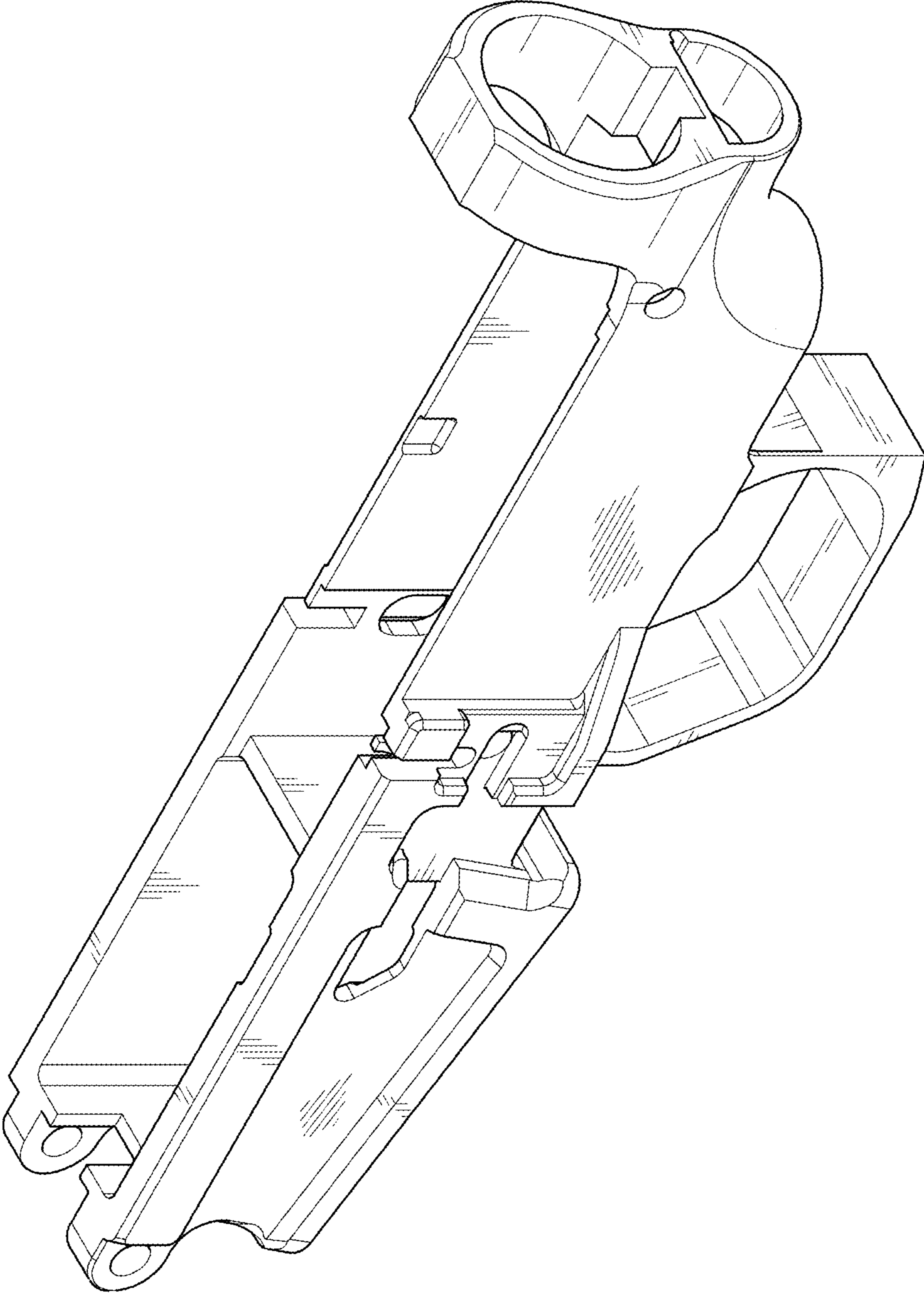


FIG. 8



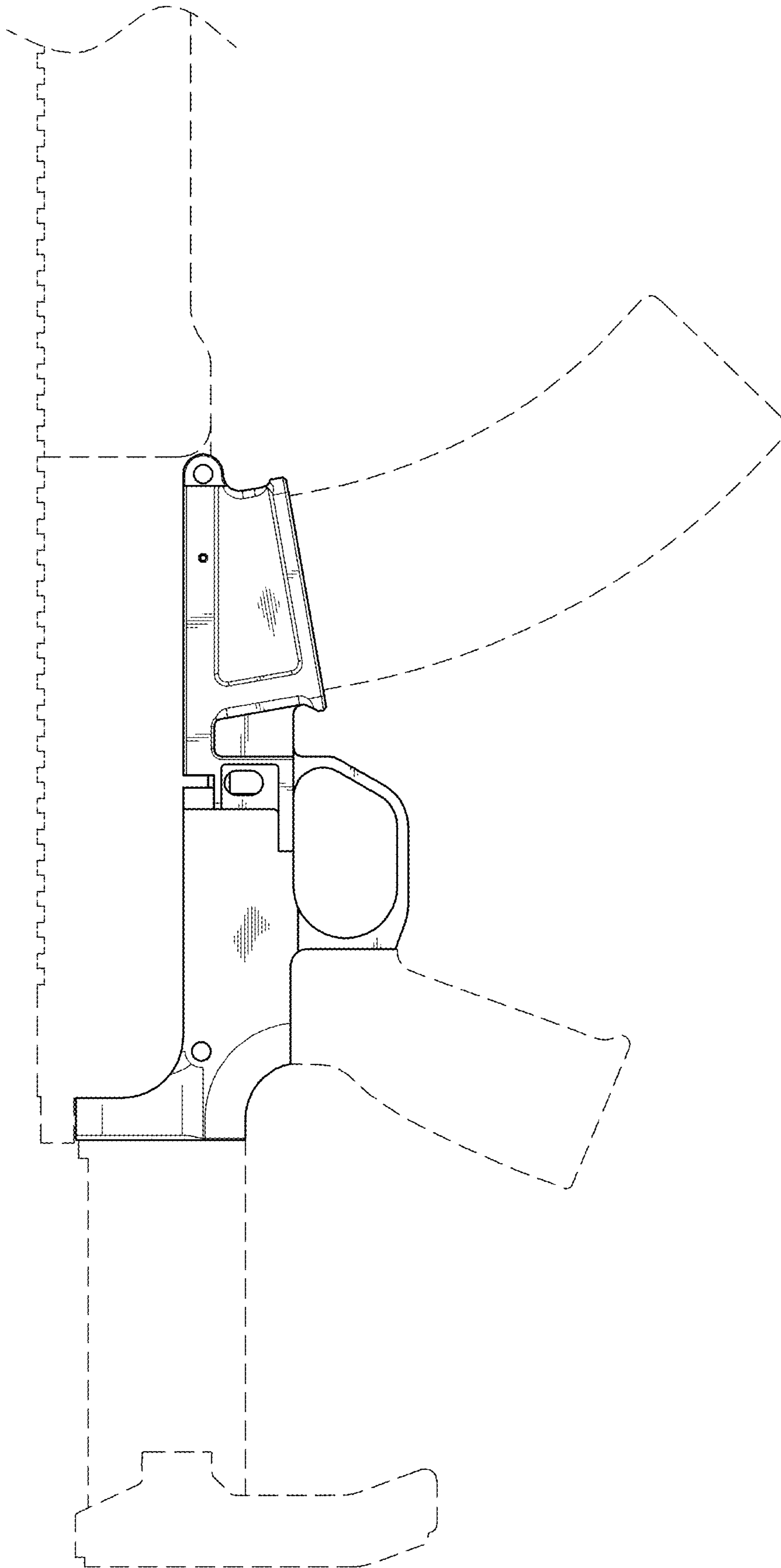


FIG. 9