



US00D877282S

(12) **United States Design Patent**  
**Gerlings**

(10) **Patent No.:** **US D877,282 S**

(45) **Date of Patent:** **\*\* Mar. 3, 2020**

(54) **FIREARM SAFETY SELECTOR**

(71) Applicant: **Phillip Gerlings**, Chandler, AZ (US)

(72) Inventor: **Phillip Gerlings**, Chandler, AZ (US)

(\*\*) Term: **15 Years**

(21) Appl. No.: **29/669,720**

(22) Filed: **Nov. 9, 2018**

(51) **LOC (12) Cl.** ..... **22-01**

(52) **U.S. Cl.**  
USPC ..... **D22/108**

(58) **Field of Classification Search**  
USPC ..... D22/100, 103, 104, 105, 108, 109, 110,  
D22/111, 199; D21/567, 573, 574, 575  
CPC ..... F41C 23/04; F41C 23/08; F41C 23/16;  
F41G 1/02; F41G 1/027; F41G 1/06;  
F41A 17/46; F41A 19/11

See application file for complete search history.

(56) **References Cited**

**U.S. PATENT DOCUMENTS**

D639,378 S *	6/2011	Burt	.....	D22/108
D653,300 S *	1/2012	Emde	.....	D22/103
8,276,502 B1 *	10/2012	Wright	.....	F41A 17/46
				42/70.01
8,683,729 B2 *	4/2014	Bova	.....	F41A 17/46
				42/70.01
D721,779 S *	1/2015	Emde	.....	D22/103
D723,646 S *	3/2015	Keezer	.....	D22/108
D724,169 S *	3/2015	Emde	.....	D22/103
D741,440 S *	10/2015	Hormann	.....	D22/108
9,829,262 B1 *	11/2017	Suttie	.....	F41A 17/46
D834,131 S *	11/2018	Geissele	.....	D22/108
10,126,081 B1 *	11/2018	Geissele	.....	F41A 17/46
D841,755 S *	2/2019	Pavlick	.....	D22/108
D855,735 S *	8/2019	Geissele	.....	D22/108
D856,457 S *	8/2019	Montes	.....	D22/108
2008/0187888 A1 *	8/2008	Jones	.....	F41A 33/02
				434/21
2012/0325044 A1 *	12/2012	Brown	.....	F41A 19/33
				74/548
2017/0176122 A1 *	6/2017	Underwood	.....	F41A 19/46

**OTHER PUBLICATIONS**

“CZ Scorpion Evo | How to Install Gear Head Works Ambi Safety Install” [online]. Musty Yeti. [Published on Jun. 19, 2016]. Retrieved from the Internet: <<https://www.youtube.com/watch?v=HZQuKk7QCZ0>>.\*

\* cited by examiner

*Primary Examiner* — Khawaja Anwar

*Assistant Examiner* — Mojtaba Tehrani

(74) *Attorney, Agent, or Firm* — Gregory Stauf

(57) **CLAIM**

The ornamental design for a firearm safety selector, as shown and described.

**DESCRIPTION**

FIG. 1 is a top elevational view of a safety selector showing my new design;  
FIG. 2 is a left side elevational view thereof;  
FIG. 3 is a bottom elevational view thereof;  
FIG. 4 is a right side elevational view thereof;  
FIG. 5 is a back side view thereof;  
FIG. 6 is a front side view thereof;  
FIG. 7 is a left side perspective view thereof;  
FIG. 8 is a right side perspective view thereof;  
FIG. 9 is a left side perspective view thereof of an alternative version of the design without the cupped section in the end protrusion on one side;  
FIG. 10 is a right side perspective view thereof of an alternative version of the design without the cupped section in the end protrusion on one side; and,  
FIG. 11 is a left side elevational view thereof, shown attached to a firearm. The firearm is shown in broken lines for illustrative purposes only and forms no part of the claimed design.

**1 Claim, 6 Drawing Sheets**

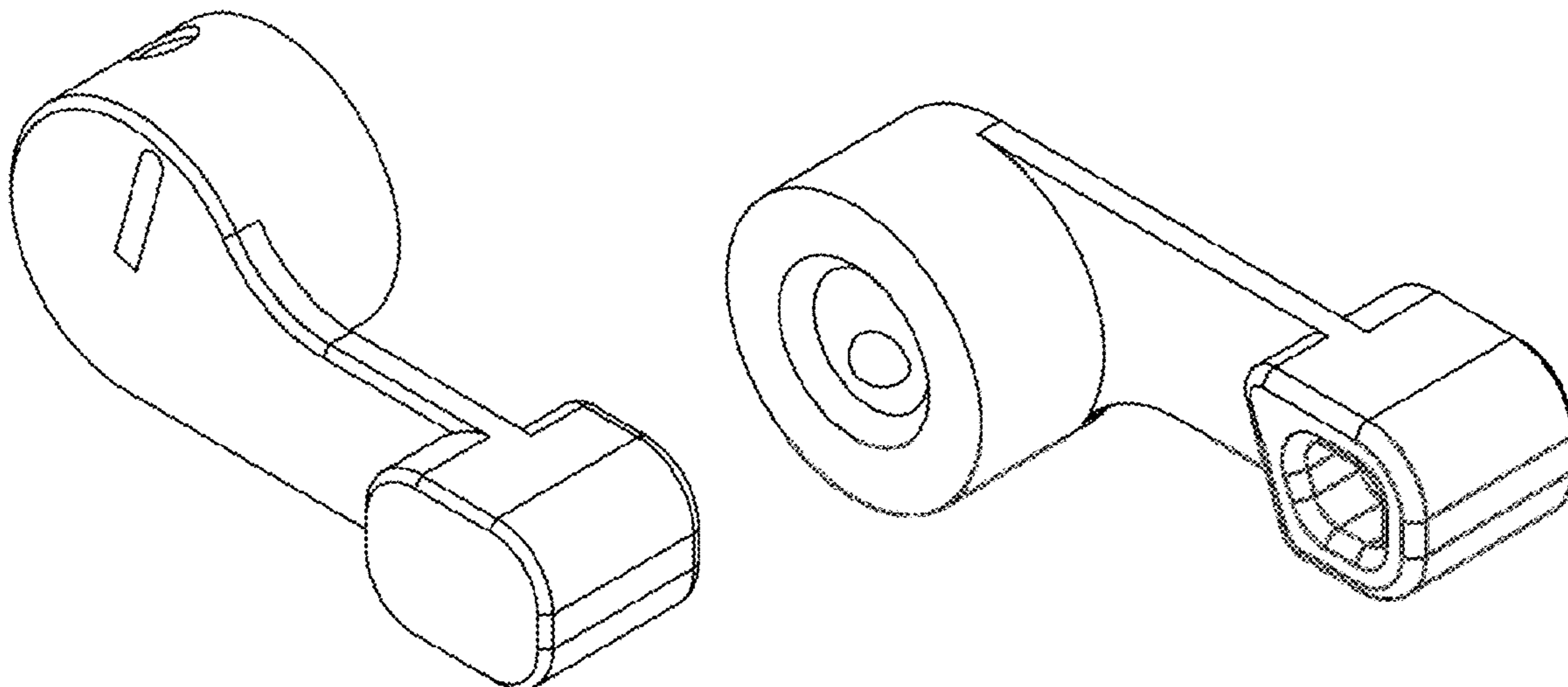


FIG. 1

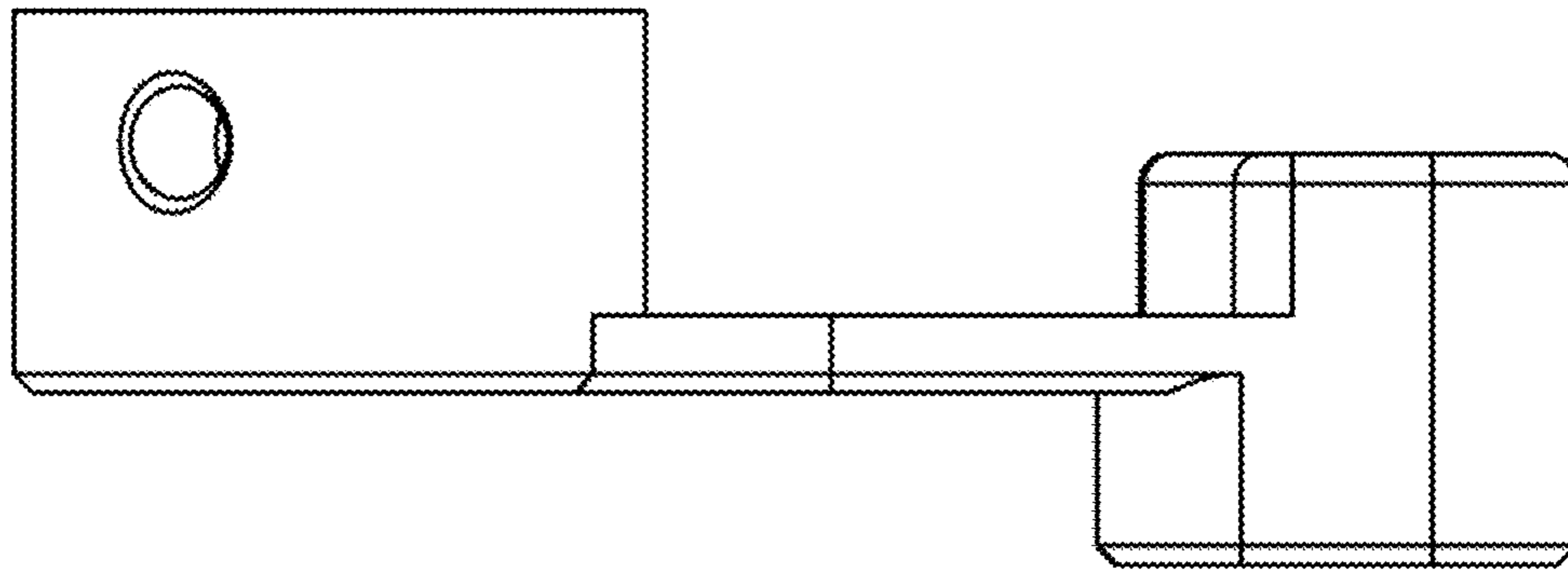


FIG. 2

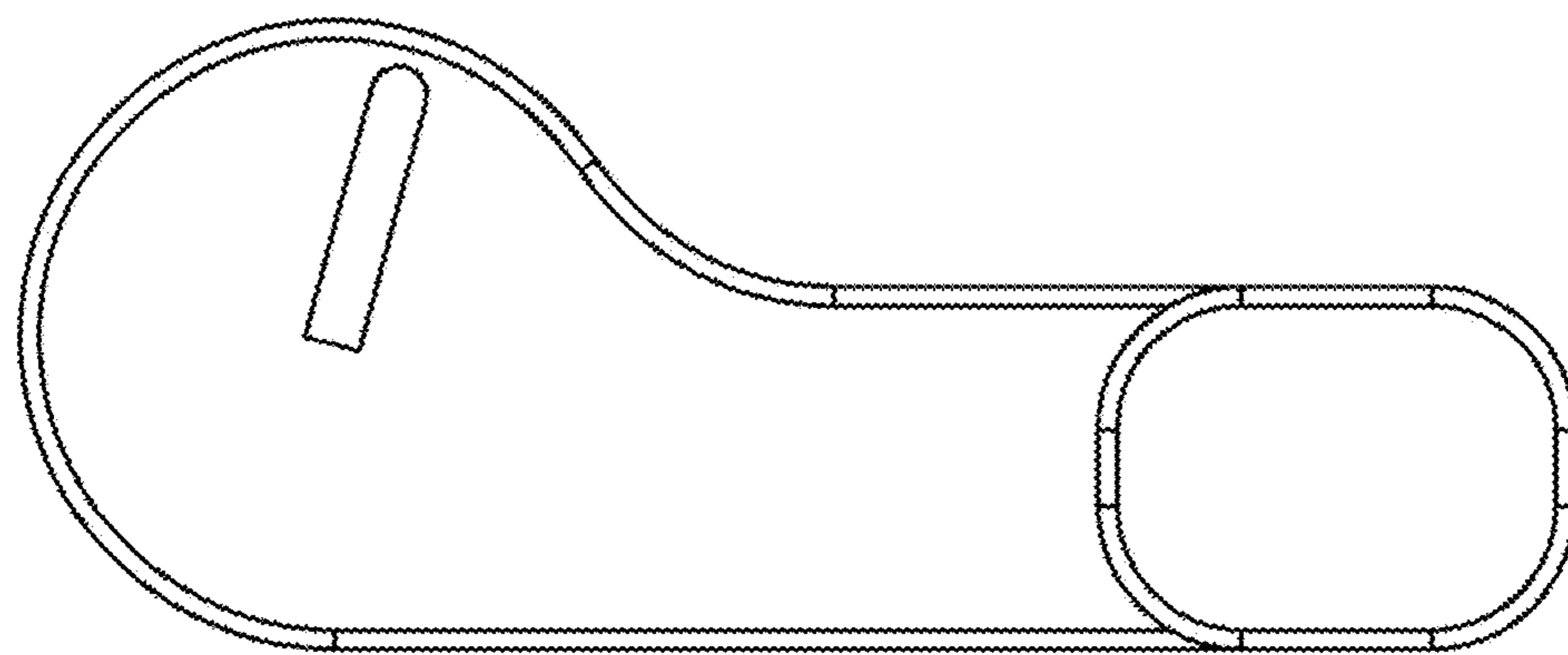


FIG. 3

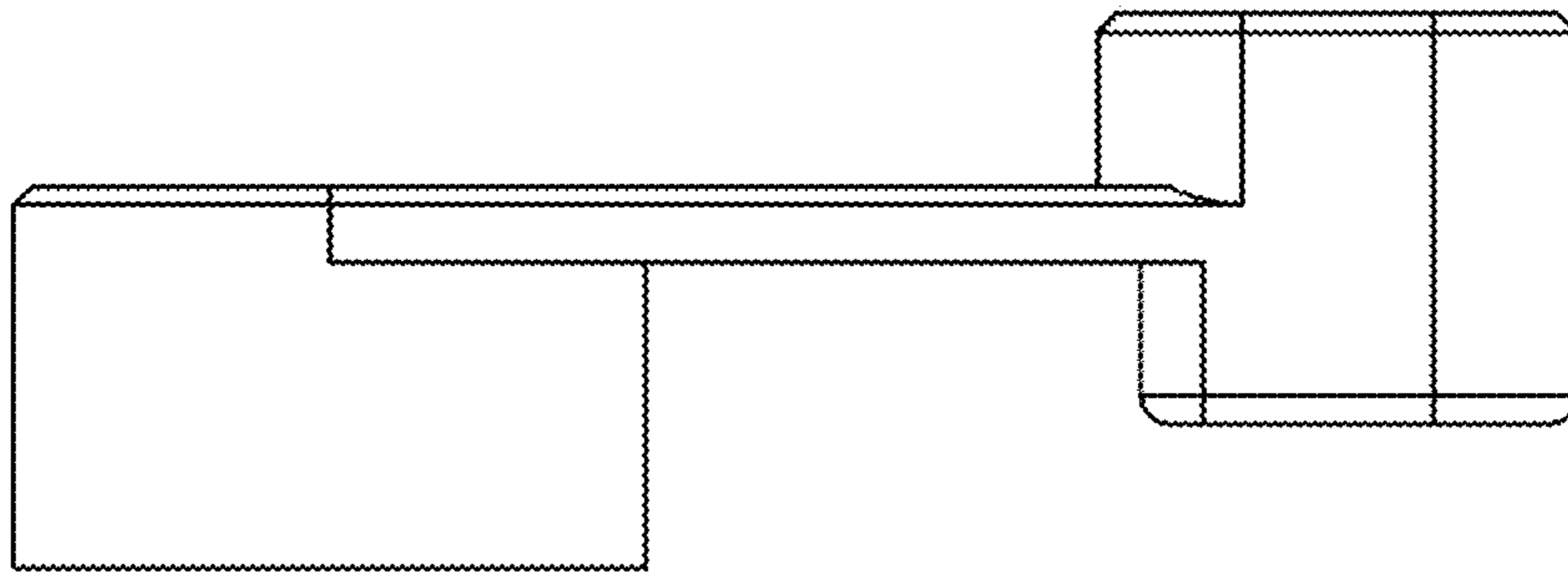


FIG. 4

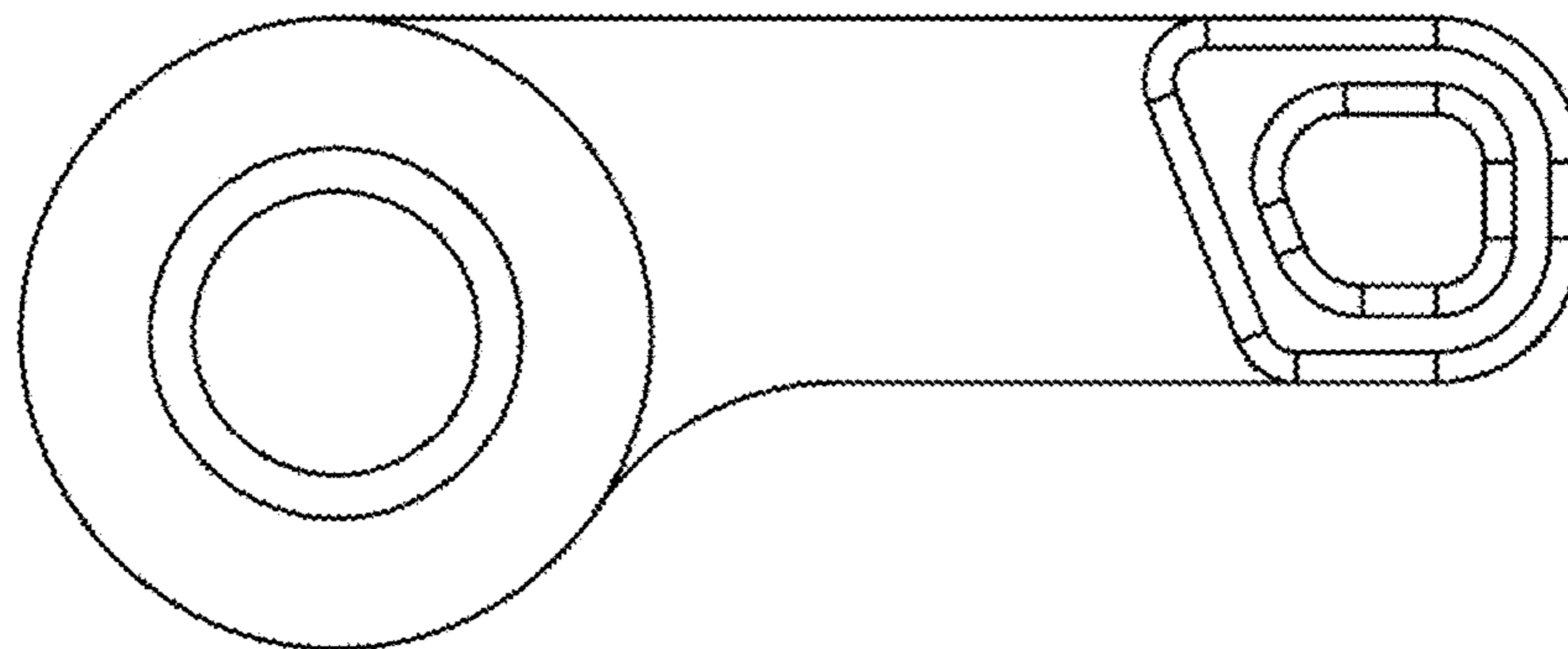


FIG. 5

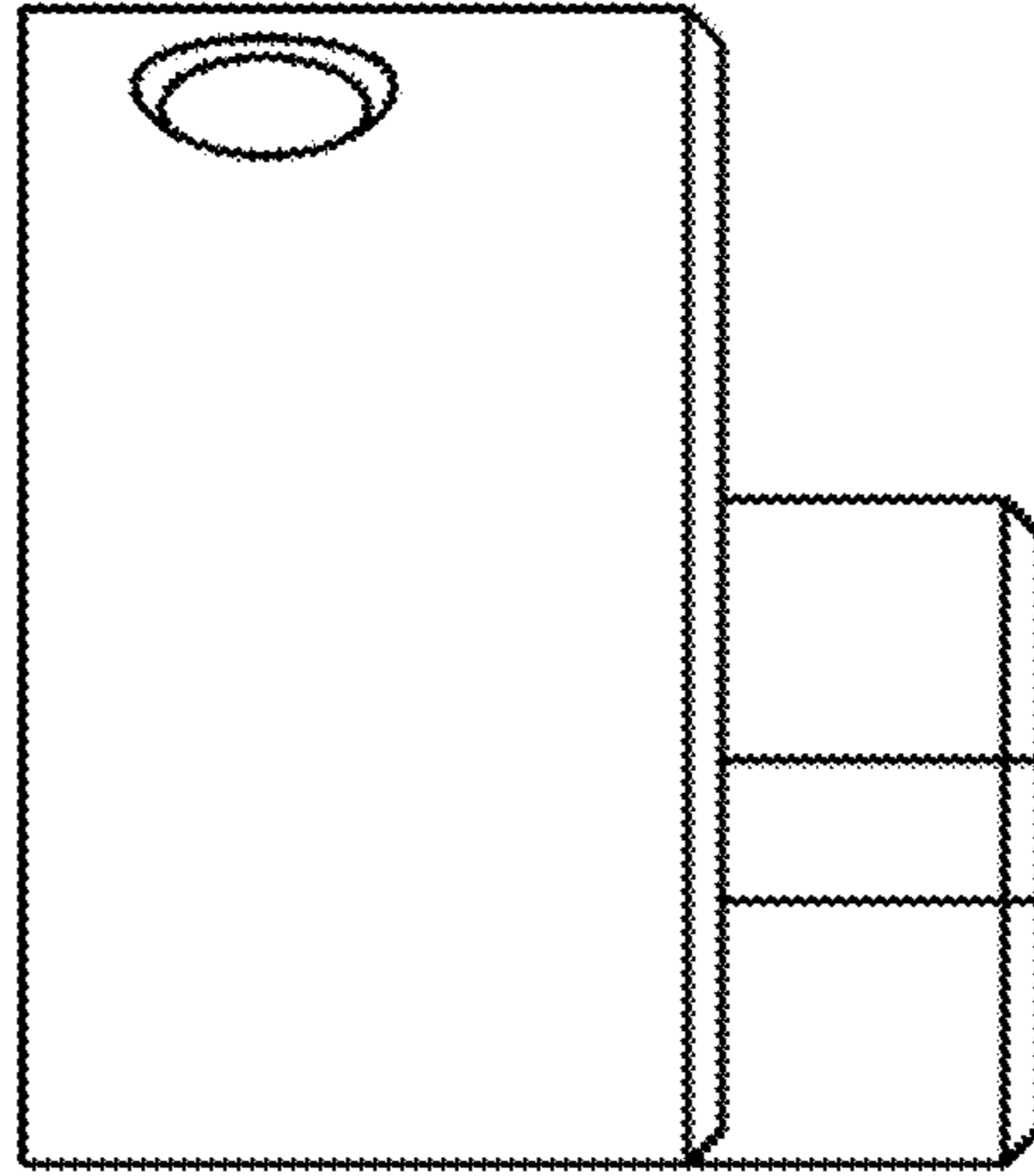


FIG. 6

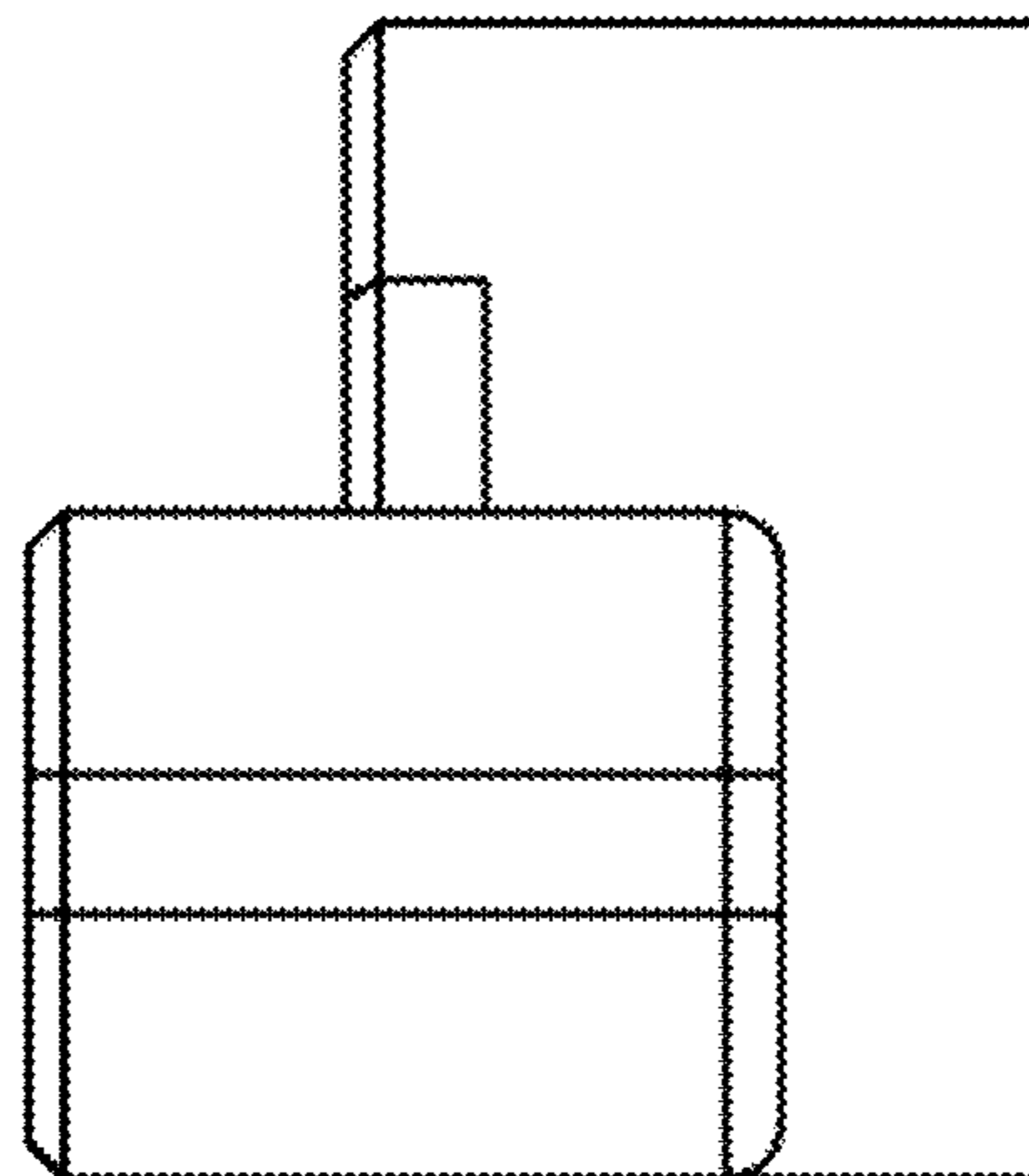


FIG. 7

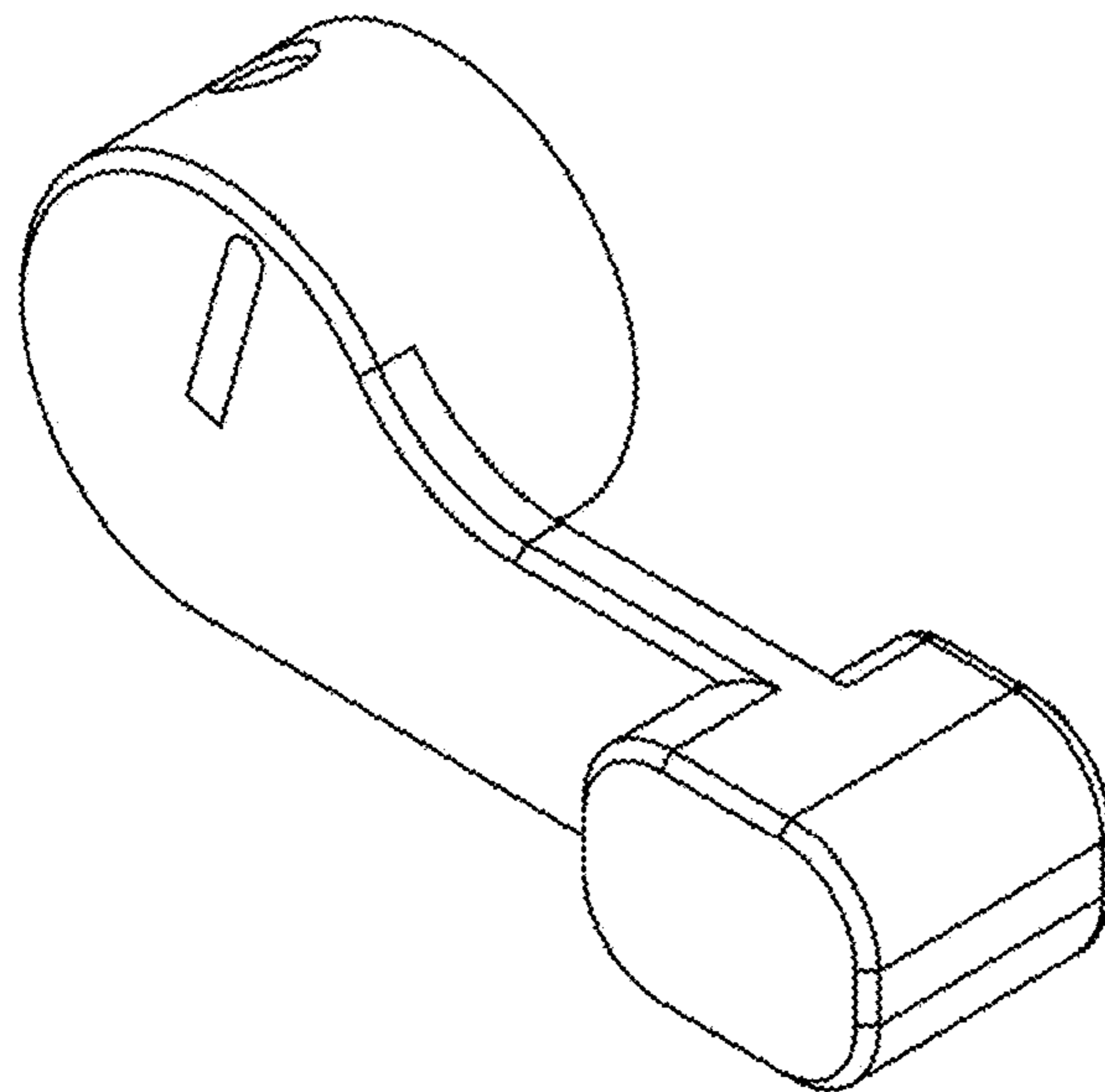


FIG. 8

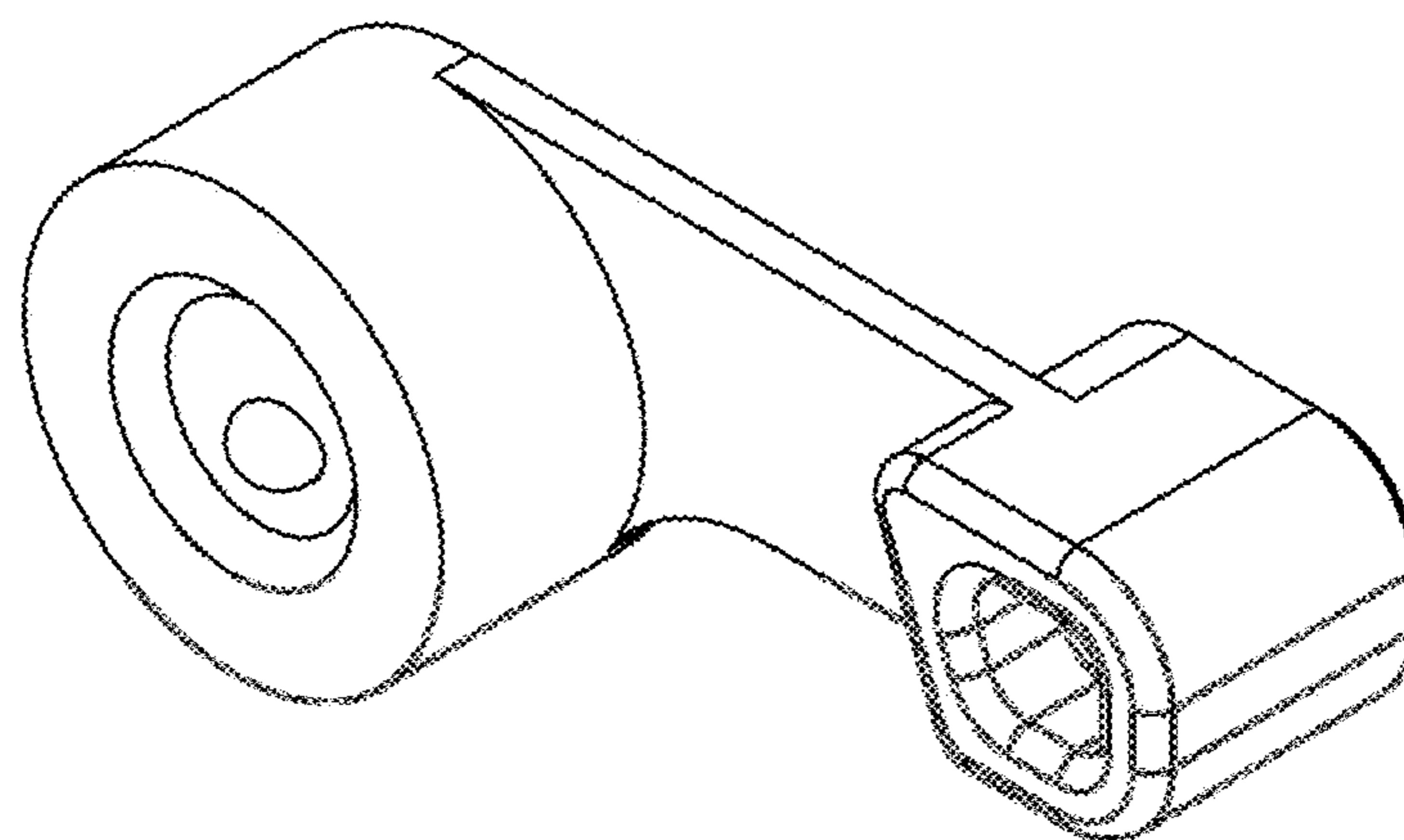




FIG. 9

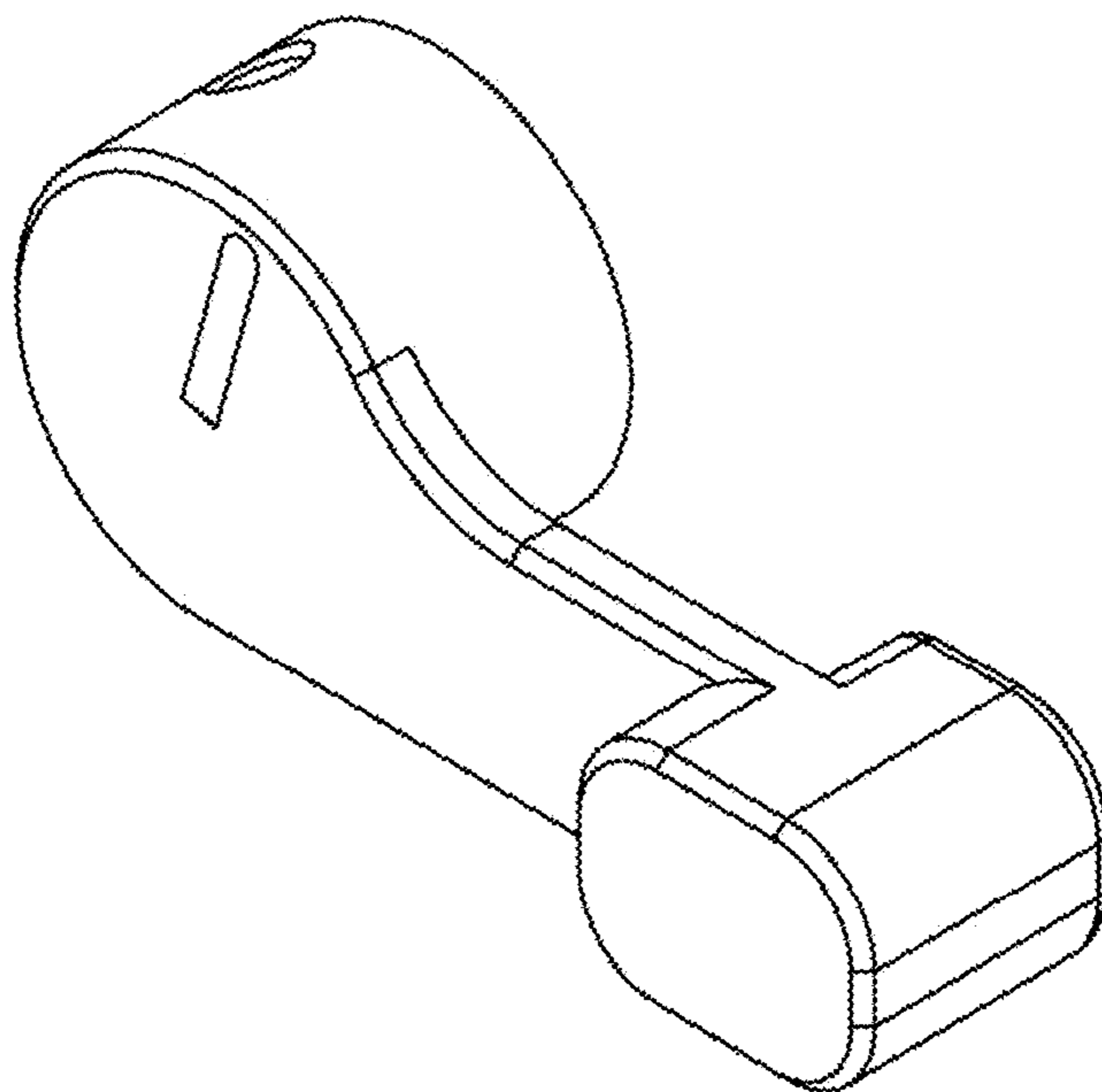


FIG. 10

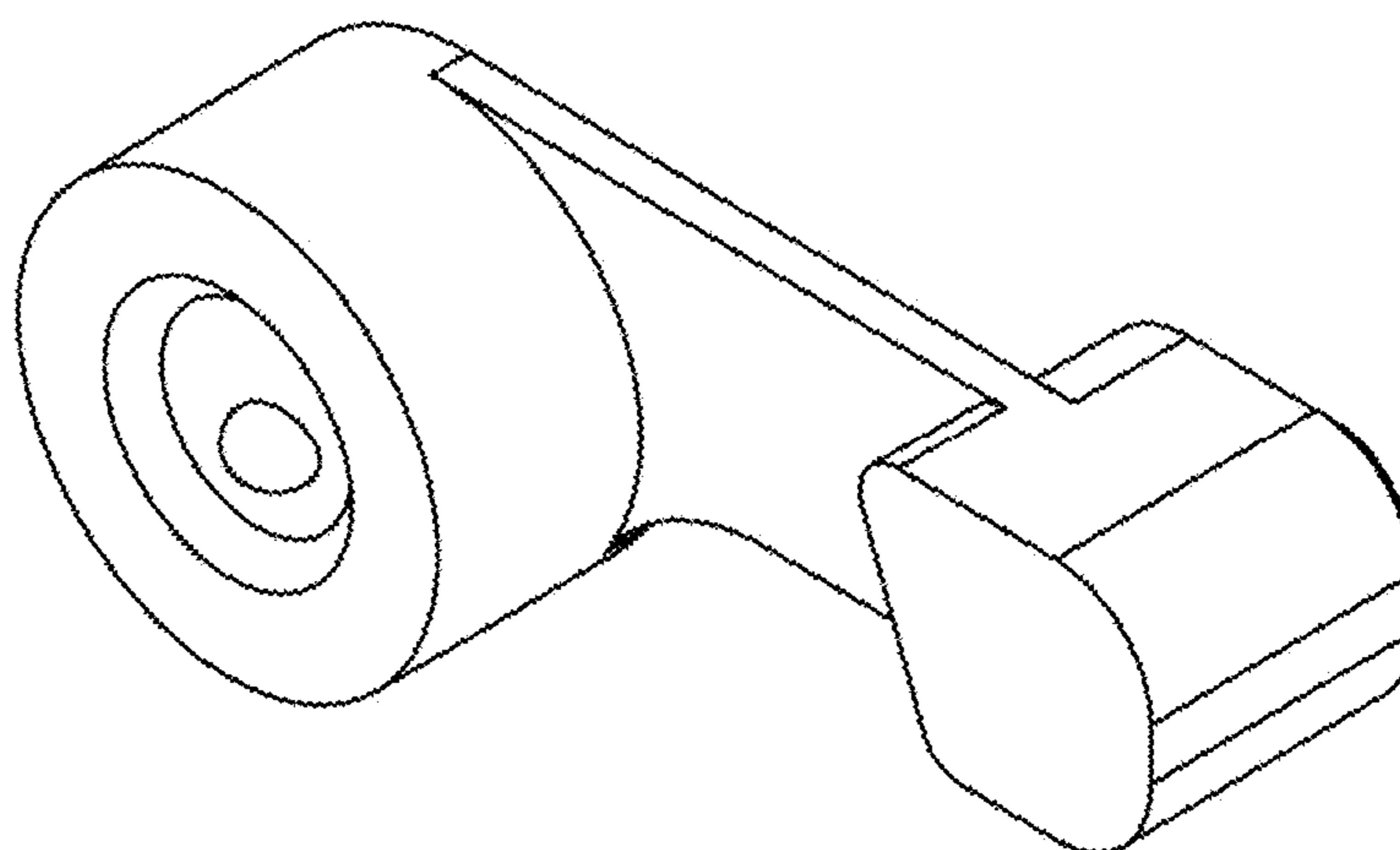


FIG. 11

