



US00D877281S

(12) **United States Design Patent**
Jones

(10) **Patent No.:** **US D877,281 S**
(45) **Date of Patent:** **** Mar. 3, 2020**

- (54) **STOCK FOR A FIREARM**
- (71) Applicant: **Armcor Precision International**,
Pahrump, NV (US)
- (72) Inventor: **Dustin Jones**, Las Vegas, NV (US)
- (73) Assignee: **ARMSCOR PRECISION**
INTERNATIONAL, Pahrump, NV
(US)
- (**) Term: **15 Years**
- (21) Appl. No.: **29/668,862**
- (22) Filed: **Nov. 2, 2018**
- (51) **LOC (12) Cl.** **22-01**
- (52) **U.S. Cl.**
USPC **D22/108; D22/111**
- (58) **Field of Classification Search**
USPC D22/100, 103, 104, 105, 108, 109, 110,
D22/111, 199; D21/567, 573, 574, 575
CPC F41C 23/04; F41C 23/08; F41C 23/16;
F41G 1/02; F41G 1/027; F41G 1/06;
F41A 17/46; F41A 19/11
See application file for complete search history.

(56) **References Cited**

U.S. PATENT DOCUMENTS

D614,723 S *	4/2010	Bentley	D22/109
D645,110 S *	9/2011	Cook	D22/108
D648,412 S *	11/2011	Cook	D22/108
D701,281 S *	3/2014	Cottle	D22/108
8,782,942 B1 *	7/2014	Bentley	F41C 7/02 42/71.01
D710,478 S *	8/2014	Kauranen	D22/108
D722,672 S *	2/2015	Juarez	D22/108
D723,128 S *	2/2015	Hu	D22/103
D741,444 S *	10/2015	Cianci	D22/108
D763,396 S *	8/2016	Juarez	D22/108
D780,277 S *	2/2017	Barnett	D22/107
D792,936 S *	7/2017	Eitan	D22/108
D798,984 S *	10/2017	Roberts	D22/108
D828,476 S *	9/2018	Smith	D22/108

D847,137 S *	4/2019	Monti	D14/418
D847,913 S *	5/2019	Patel	D21/574
D855,138 S *	7/2019	Cheng	D22/108

OTHER PUBLICATIONS

“The VR80 12 gauge shotgun can rock a chicken at 50 yards!”
[online]. Legally Armed America. [Published on Dec. 18, 2018].
Retrieved from the Internet: <<https://www.youtube.com/watch?v=1LSbmlulL9w>>.*

* cited by examiner

Primary Examiner — Khawaja Anwar

Assistant Examiner — Mojtaba Tehrani

(74) *Attorney, Agent, or Firm* — Bennet K. Langlotz;
Langlotz Patent & Trademark Works, LLC

(57) **CLAIM**

The ornamental design for a stock for a firearm, as shown and described.

DESCRIPTION

FIG. 1 is a right, forward, upper perspective looking rearward view of a stock for a firearm showing my (our) new design;

FIG. 2 is a right, forward, lower perspective looking rearward view thereof;

FIG. 3 is a right, rear, upper perspective looking forward view thereof;

FIG. 4 is a right, rear, lower perspective looking forward view thereof;

FIG. 5 is a top view thereof;

FIG. 6 is a right elevation view thereof;

FIG. 7 is a bottom view thereof;

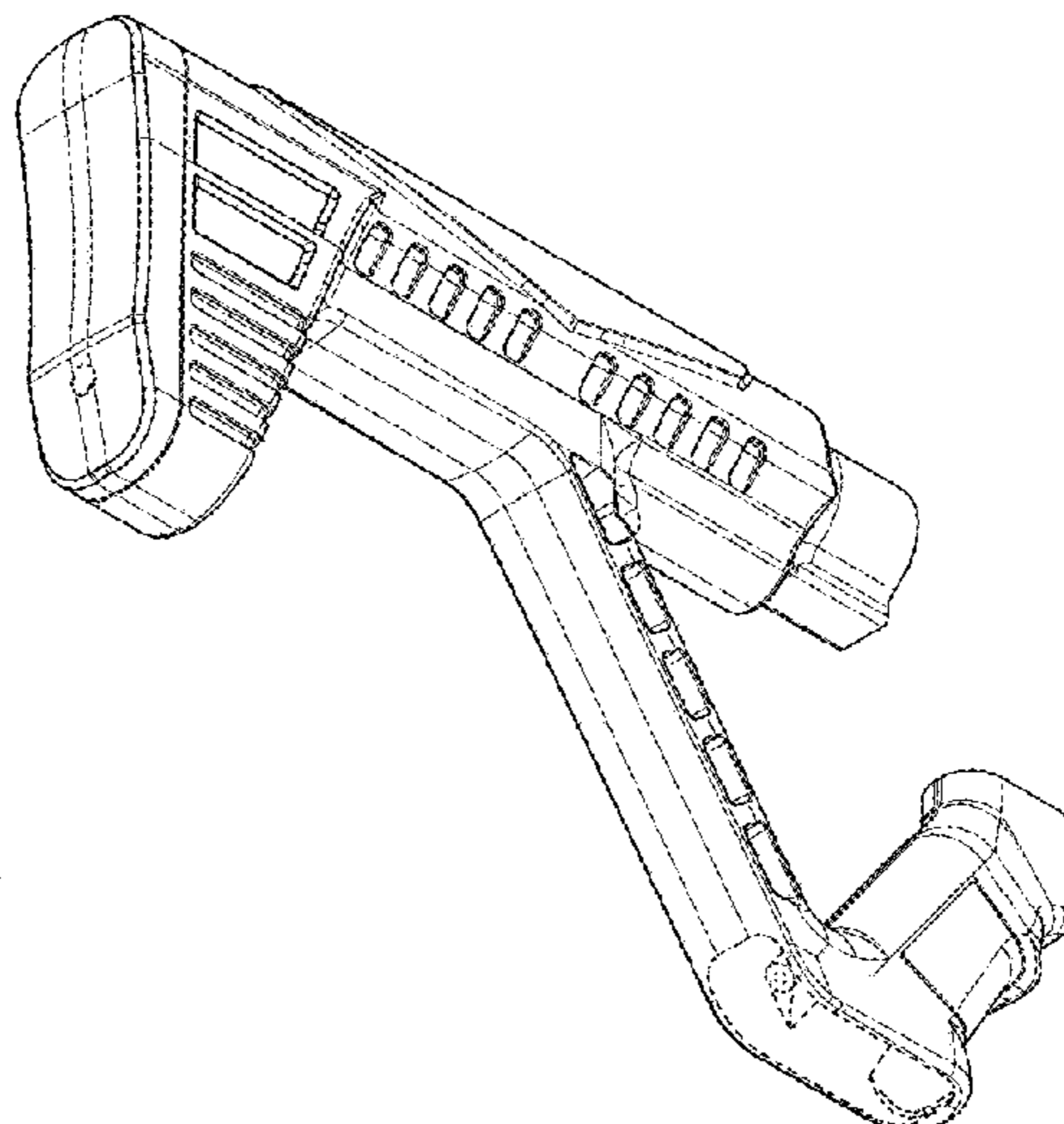
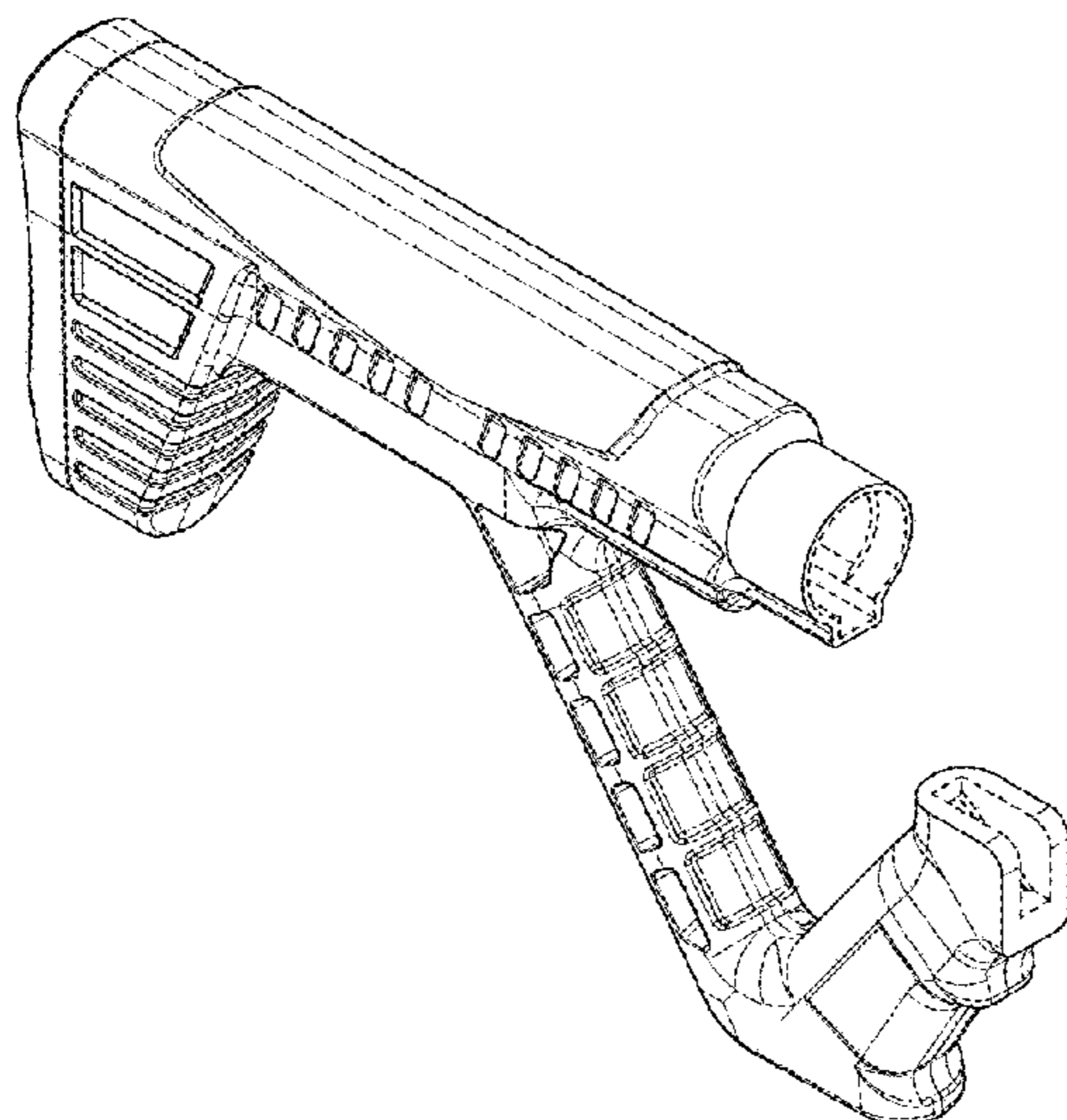
FIG. 8 is a left elevation view thereof;

FIG. 9 is a rear elevation view thereof; and,

FIG. 10 is a front elevation view thereof.

The broken lines in the drawings depict portions of the article that form no part of the claimed design.

1 Claim, 6 Drawing Sheets



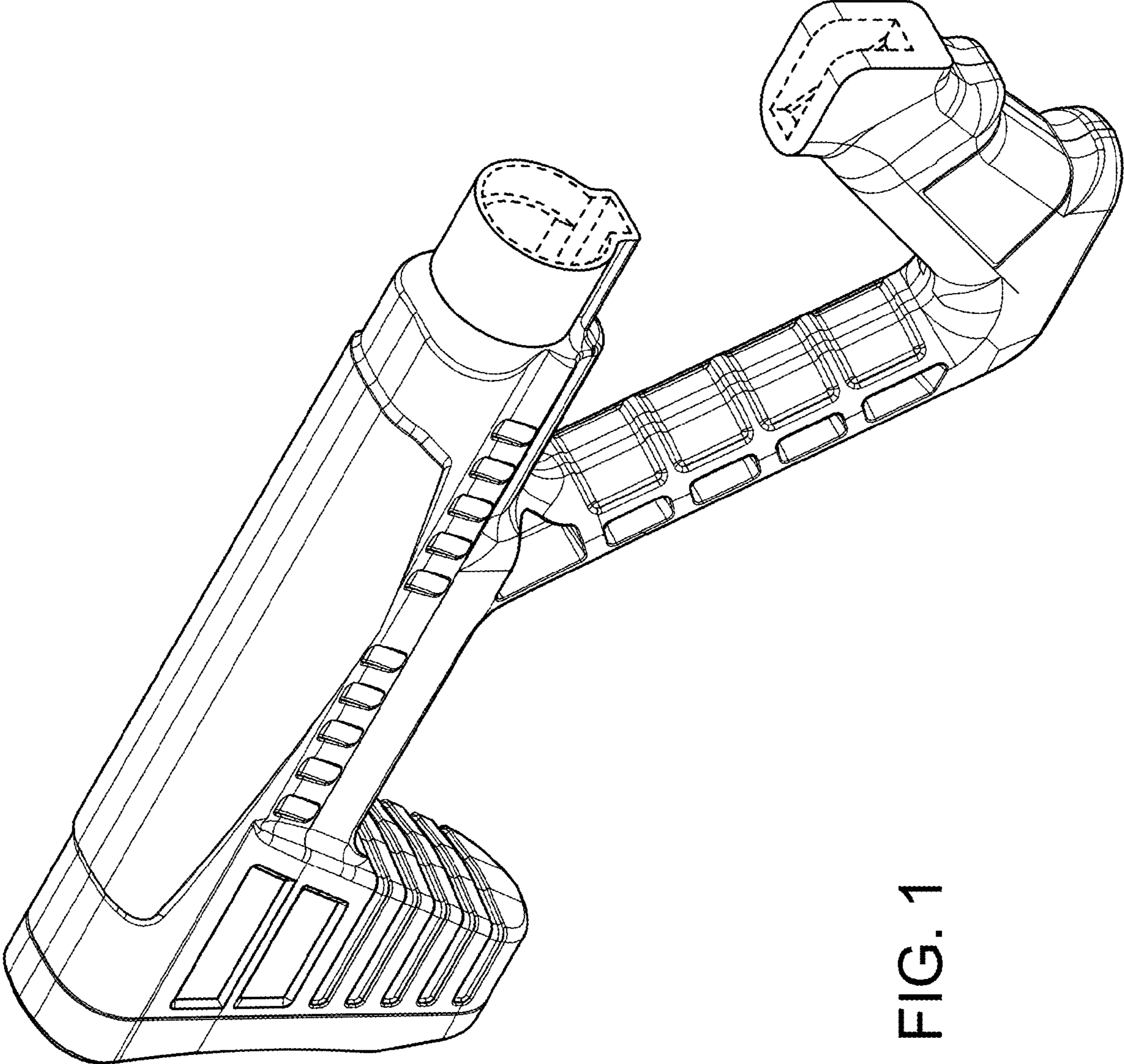


FIG. 1

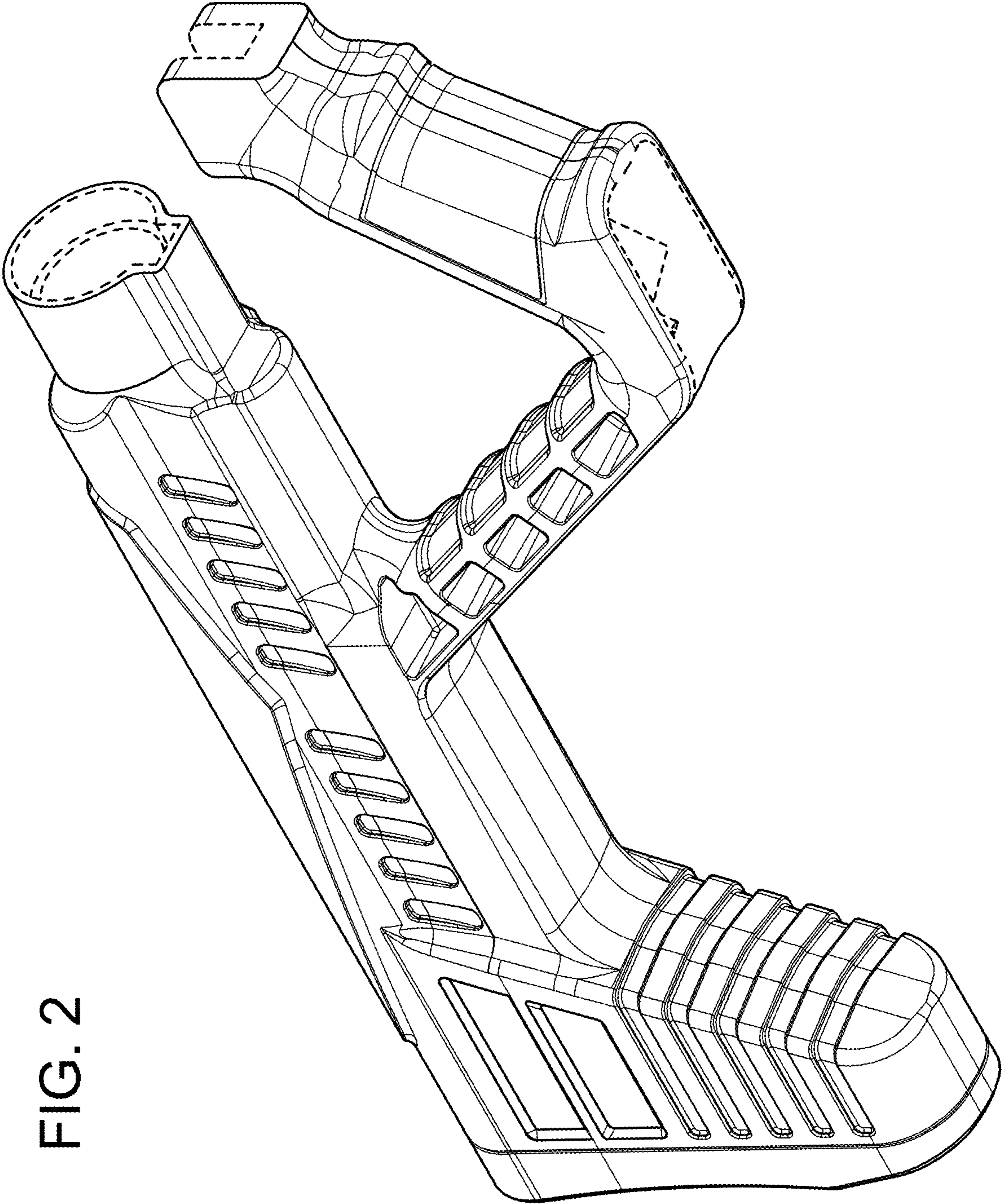


FIG. 2

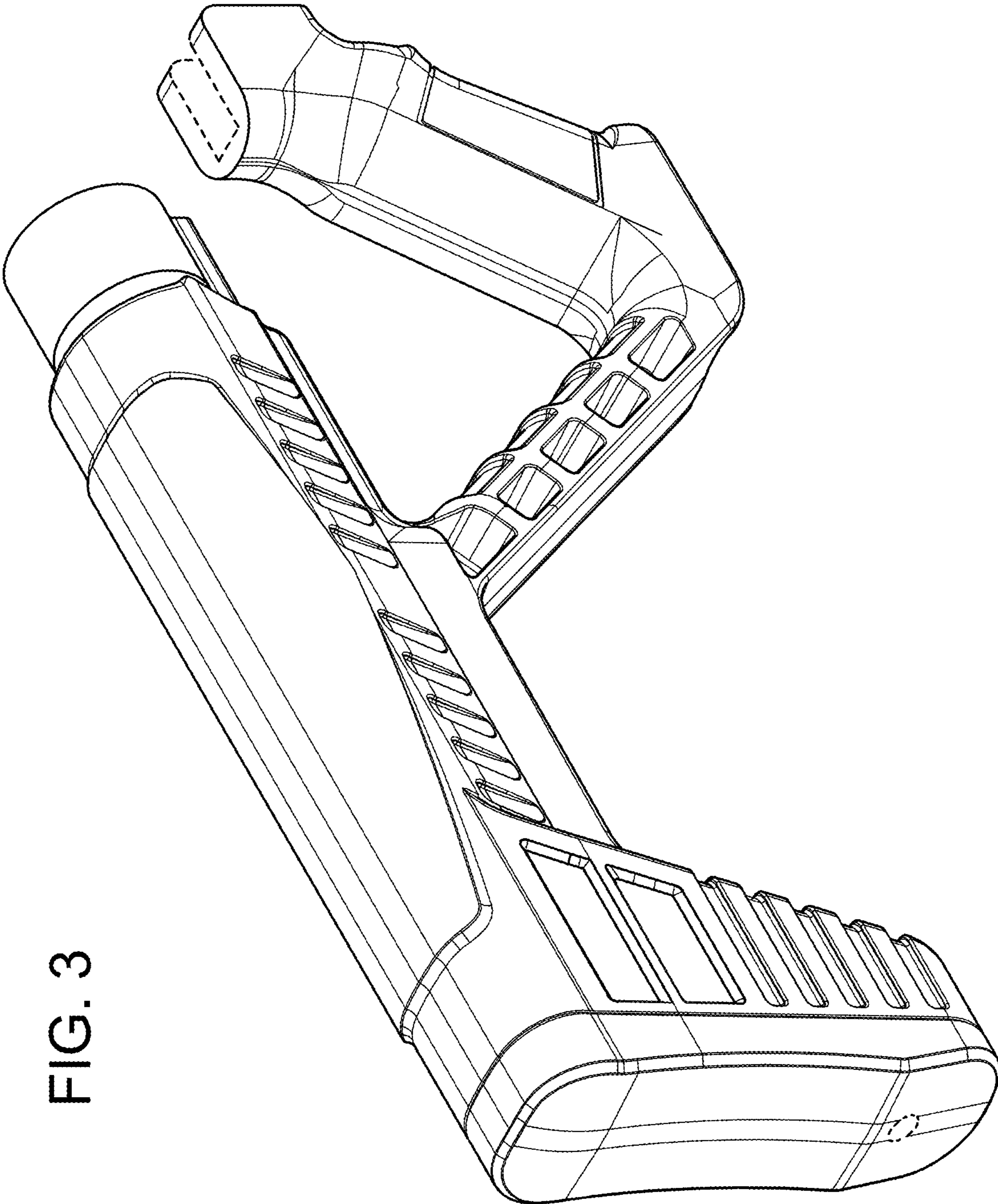


FIG. 3

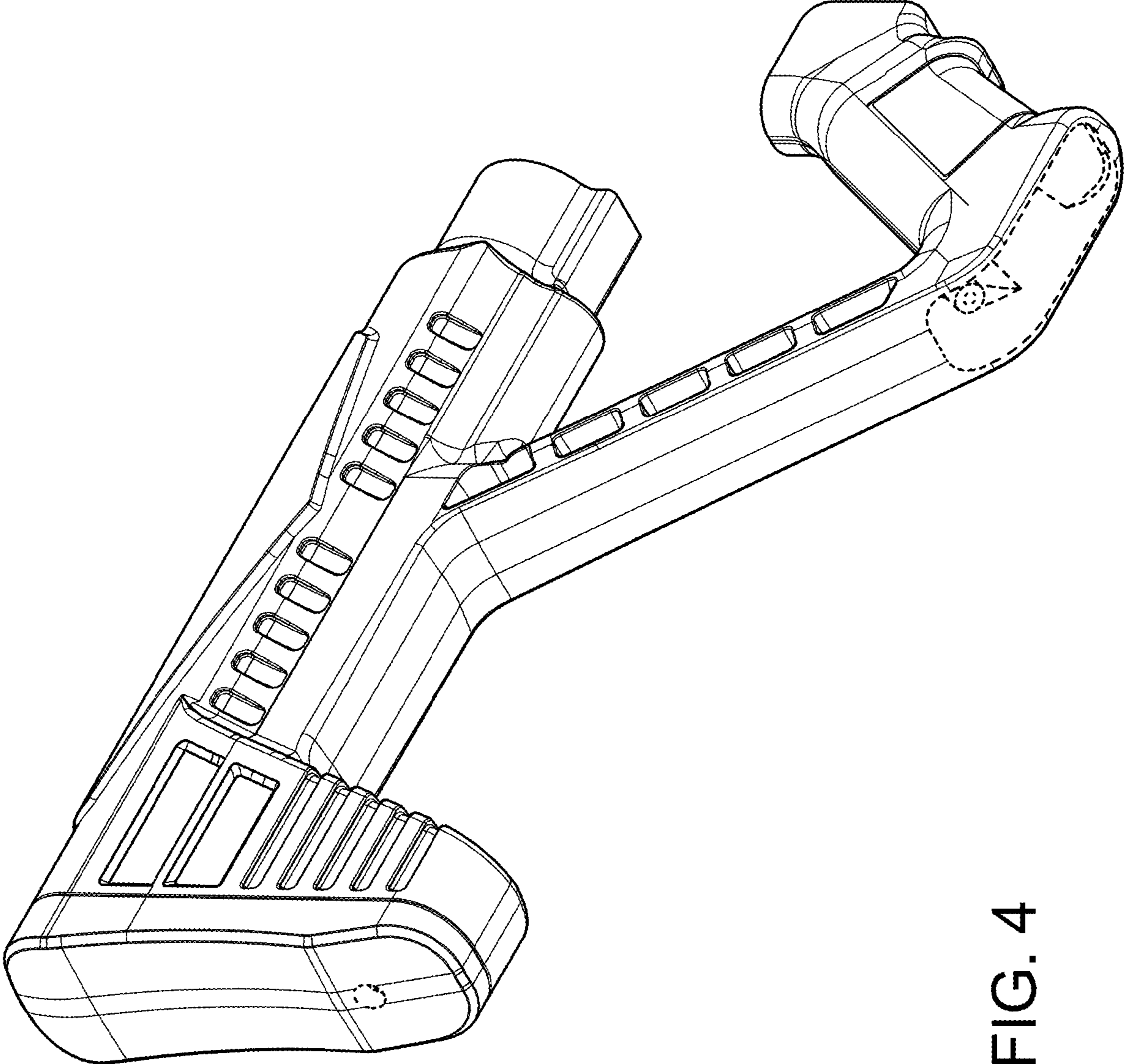


FIG. 4

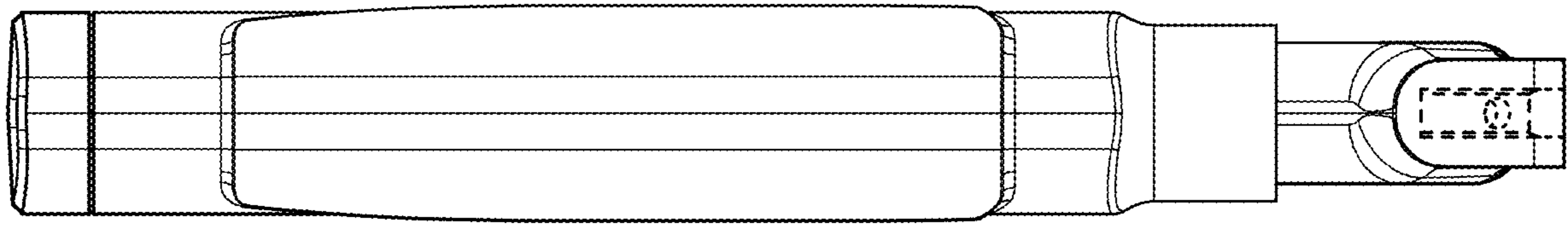


FIG. 5

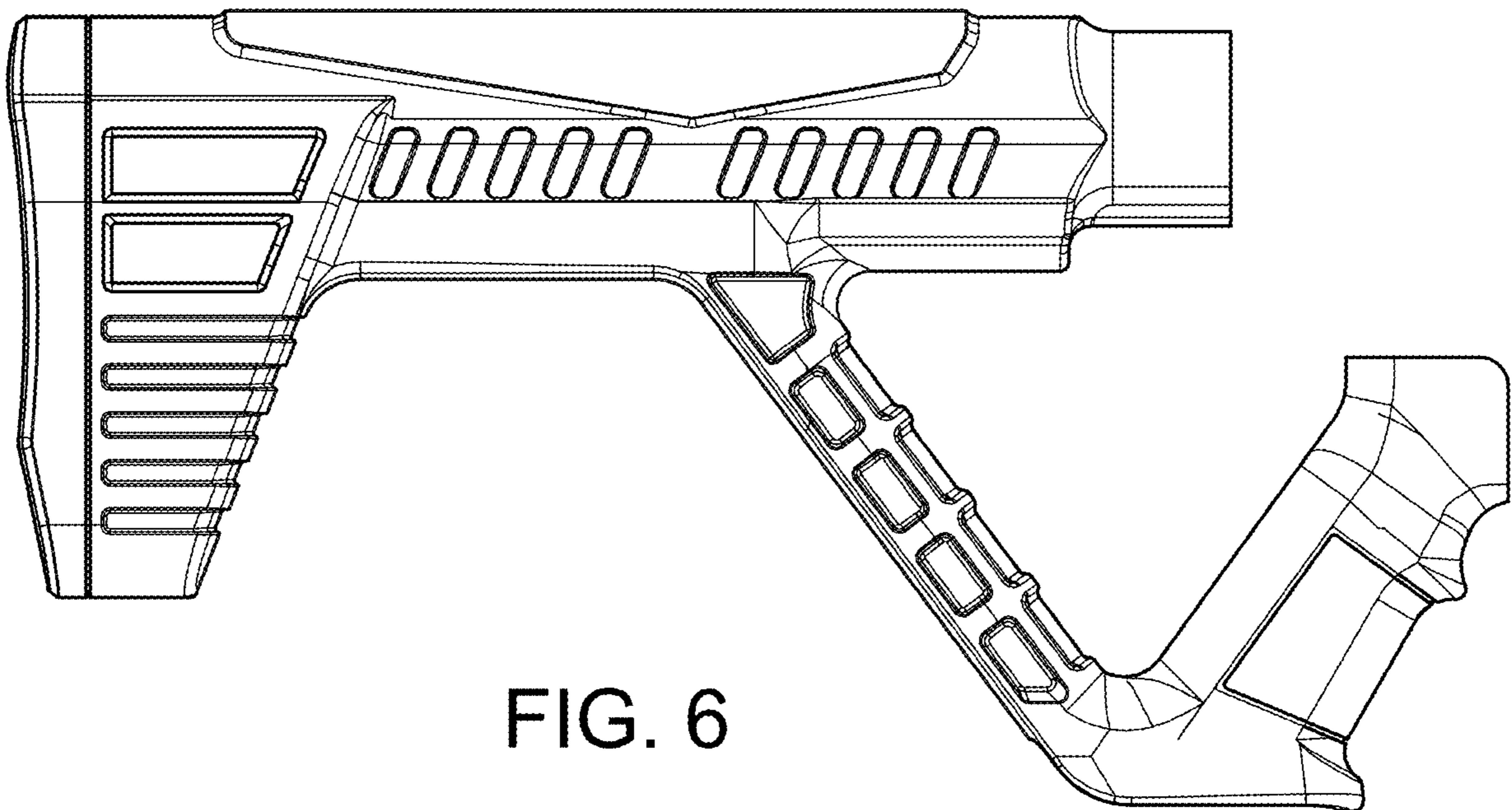


FIG. 6

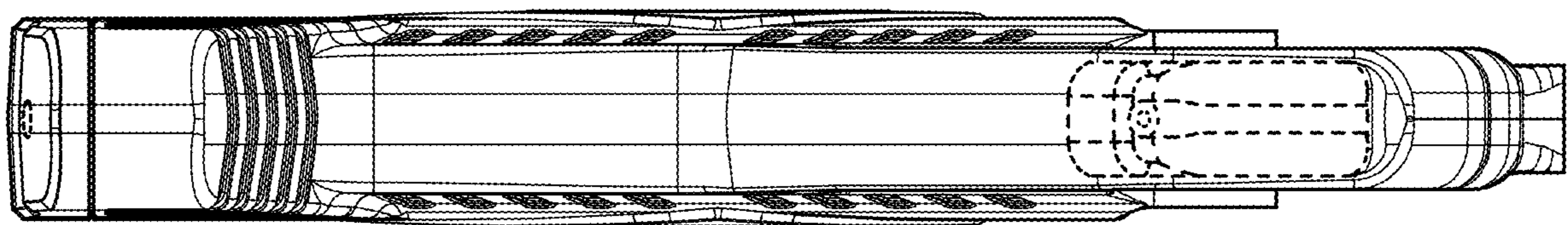


FIG. 7

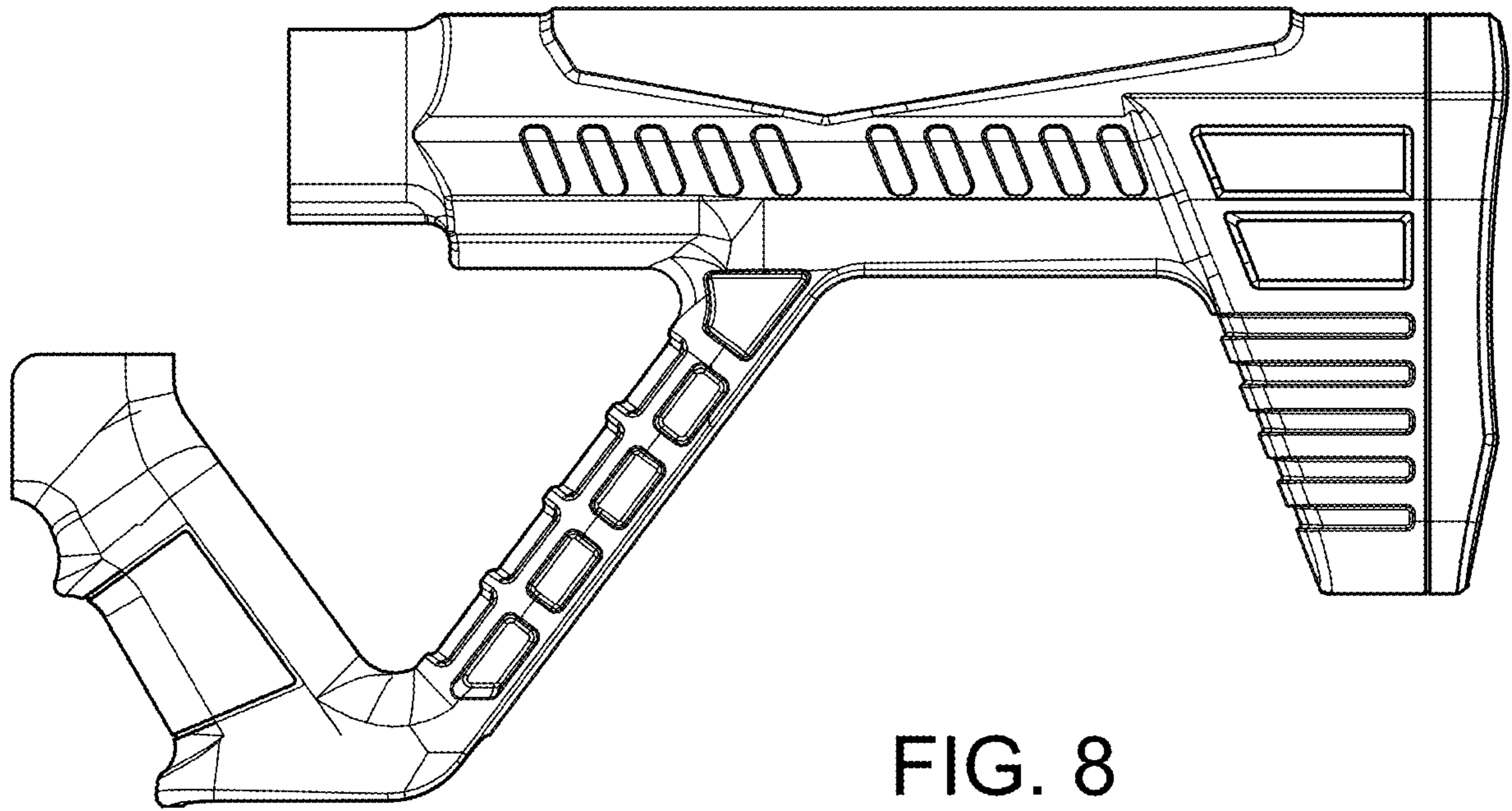


FIG. 8

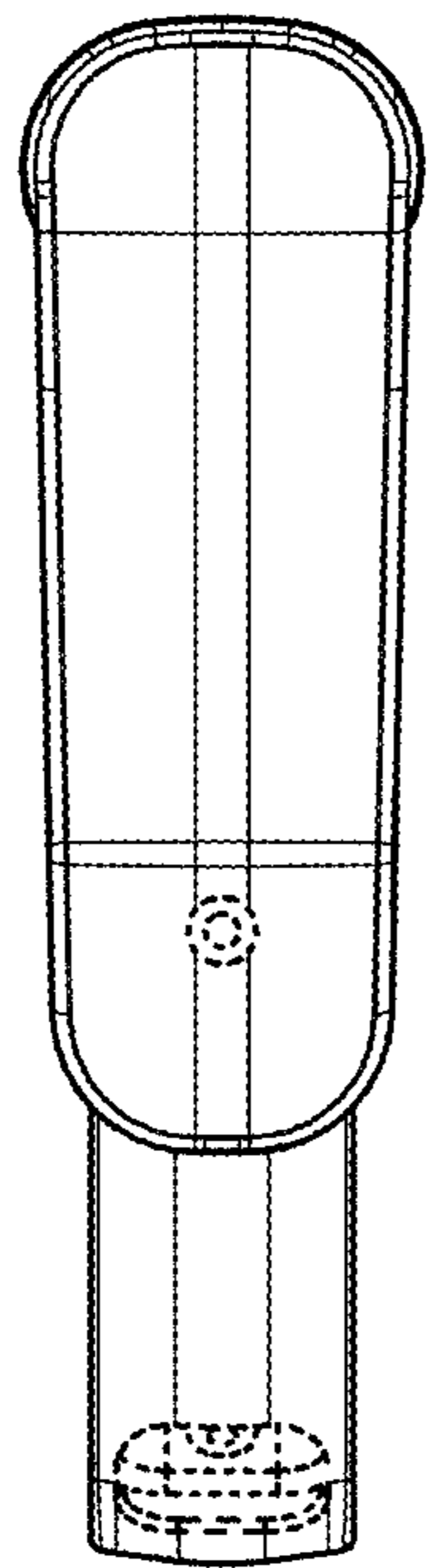


FIG. 9

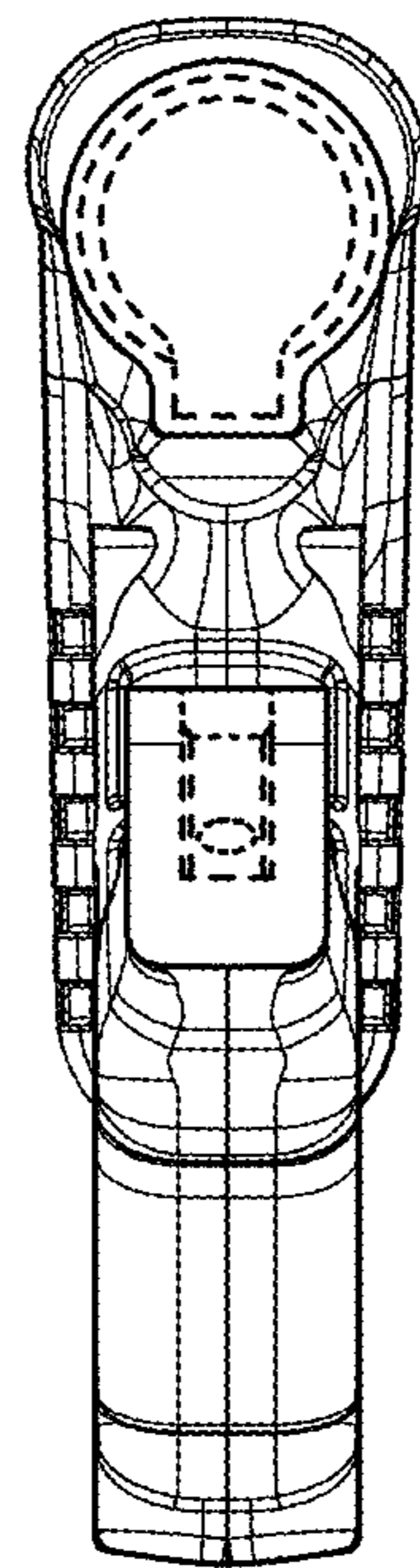


FIG. 10