



US00D877280S

(12) **United States Design Patent**
Eitan

(10) **Patent No.:** **US D877,280 S**
(45) **Date of Patent:** **** Mar. 3, 2020**

- (54) **FIREARM SLING SLIDER**
- (71) Applicant: **Magpul Industries Corp.**, Austin, TX (US)
- (72) Inventor: **Yehezkel Eitan**, Johnstown, CO (US)
- (73) Assignee: **Magpul Industries Corp.**, Austin, TX (US)

D624,149 S * 9/2010 Felts D22/199
 D632,752 S * 2/2011 Fitzpatrick D22/108
 D636,836 S * 4/2011 Fitzpatrick D22/108
 (Continued)

- (**) Term: **15 Years**
- (21) Appl. No.: **29/637,196**
- (22) Filed: **Feb. 14, 2018**
- (51) **LOC (12) Cl.** **22-01**
- (52) **U.S. Cl.**
USPC **D22/108**; D22/199
- (58) **Field of Classification Search**
USPC D22/103, 107-111, 199; D29/101.1, 108;
D3/214-216, 221-222, 262, 327-328;
D11/218
CPC F41C 33/00; F41C 33/001; F41C 33/002;
F41C 33/006; F41C 33/008; F41C 23/02;
Y10S 224/913; A45F 2003/142; Y10T
24/21; Y10T 24/2196; Y10T 24/2143;
Y10T 24/2145
See application file for complete search history.

FOREIGN PATENT DOCUMENTS

JP D1489996 S 2/2014
 JP D1516574 S 2/2015
 (Continued)

OTHER PUBLICATIONS

JP-D1426649, posted at Orbit.com, publication date Nov. 7, 2011.
 Site visited Sep. 18, 2019. Available from Internet. (Year: 2011).*
 (Continued)

Primary Examiner — Kevin K Rudzinski
Assistant Examiner — Kathleen L Jones
 (74) *Attorney, Agent, or Firm* — Neugeboren O'Dowd PC

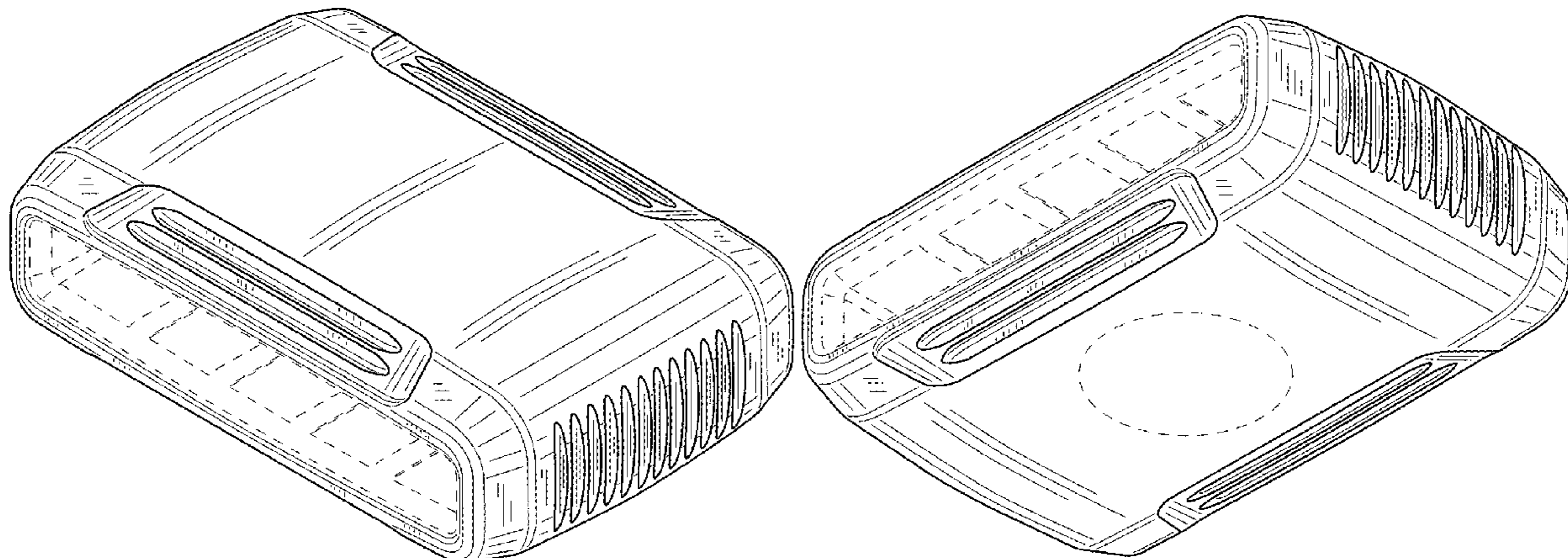
(57) **CLAIM**
 The ornamental design for a firearm sling slider, as shown and described.

DESCRIPTION

FIG. 1 is a front, right, top perspective view of the firearm sling slider showing my new design;
 FIG. 2 is a back left bottom perspective view thereof;
 FIG. 3 is a front elevation view thereof;
 FIG. 4 is a rear elevation view thereof;
 FIG. 5 is a right side plan view thereof;
 FIG. 6 is a left side plan view thereof;
 FIG. 7 is a top elevation view thereof; and,
 FIG. 8 is a bottom elevation view thereof.
 The shade lines in the Figures show contour and not surface ornamentation.
 The broken lines showing portions of the firearm sling slider are included for the purpose of illustrating environment and do not form part of the claimed design.

1 Claim, 5 Drawing Sheets

- (56) **References Cited**
 U.S. PATENT DOCUMENTS
 D232,828 S * 9/1974 Kwako D22/109
 D309,924 S * 8/1990 LeFebvre, Jr. D21/386
 D352,254 S * 11/1994 Prosser D11/200
 D365,044 S * 12/1995 Anscher D11/218
 D538,198 S * 3/2007 Wemmer D11/218
 D579,204 S * 10/2008 Chen D3/215
 D586,692 S * 2/2009 Nykoluk D11/218
 7,630,745 B2 * 12/2009 Chen A45F 5/02
 379/433.01
 D611,700 S * 3/2010 Nussberger D3/215



(56)

References Cited

OTHER PUBLICATIONS

U.S. PATENT DOCUMENTS

D651,679 S * 1/2012 Klug D22/108
 D682,155 S * 5/2013 Parsons D11/218
 D689,581 S * 9/2013 Fitzpatrick D22/108
 D702,311 S * 4/2014 Fitzpatrick D22/108
 D710,480 S * 8/2014 Fitzpatrick D22/108
 D745,630 S * 12/2015 Eitan D22/108
 D749,843 S * 2/2016 Faifer D3/262
 D772,368 S * 11/2016 Evans D22/108
 9,488,435 B1 * 11/2016 Roberts F41C 23/14
 D791,263 S * 7/2017 Barnes D22/108
 D799,371 S * 10/2017 Chan D11/216
 D805,427 S * 12/2017 Steinberger D11/218
 D834,308 S * 11/2018 Knudsen D3/221
 D838,412 S * 1/2019 Wang D29/101.1
 2010/0199541 A1 * 8/2010 Vest F41C 23/02
 2014/0215767 A1 * 8/2014 Ward F41C 33/002
 2016/0327362 A1 * 11/2016 Eitan F41C 23/02
 2016/0353863 A1 * 12/2016 Wendler A45F 3/02

FOREIGN PATENT DOCUMENTS

TW D174786 S 6/2014
 WO WO-2019018783 A1 * 1/2019 F41C 23/02

Camera Strap Keeper, posted at John Howard Co., posting date Aug. 7, 2017. Site visited Sep. 18, 2019. URL: <<https://www.johnhowardcompany.com/product/plastic-buckles/berry-compliant-hardware/loops-dividers/strap-keepers-adjusters-camera-strap-keeper/>> (Year: 2017).*

Magpul, Magpul—Rifleman Loop Sling, posted at YouTube, posting date May 3, 2018. Site visited Sep. 18, 2019. URL: <<https://www.youtube.com/watch?v=Na4bGoBREuk>> (Year: 2018).*

TIPO, “Notice of Allowance for Taiwanese Design Patent Application No. 107304514”, dated Jan. 8, 2019, p. 5, Published in: TW. All Island Webbing and Trim, “Black Plastic Keeper”, Retrieved from <http://www.allislandwebbing.com/proddetail.php?prod=PLKP580> on May 22, 2018, p. 3 Published in: US.

Turner Saddlery Inc., “Turner Slings”, Retrieved from http://www.turnersling.com/faq_how_attach.html on May 15, 2018, p. 3 Published in: US.

Magpul Industries Corp., “Magpul MS1 Sling”, Retrieved from <https://www.magpul.com/products/ms1-sling> on May 15, 2018, p. 9 Published in: US.

Strapworks.com, “Plastic Keepers”, Retrieved from http://www.strapworks.com/Plastic_Keepers_p/pk.htm on May 22, 2018, p. 5 Published in: US.

* cited by examiner

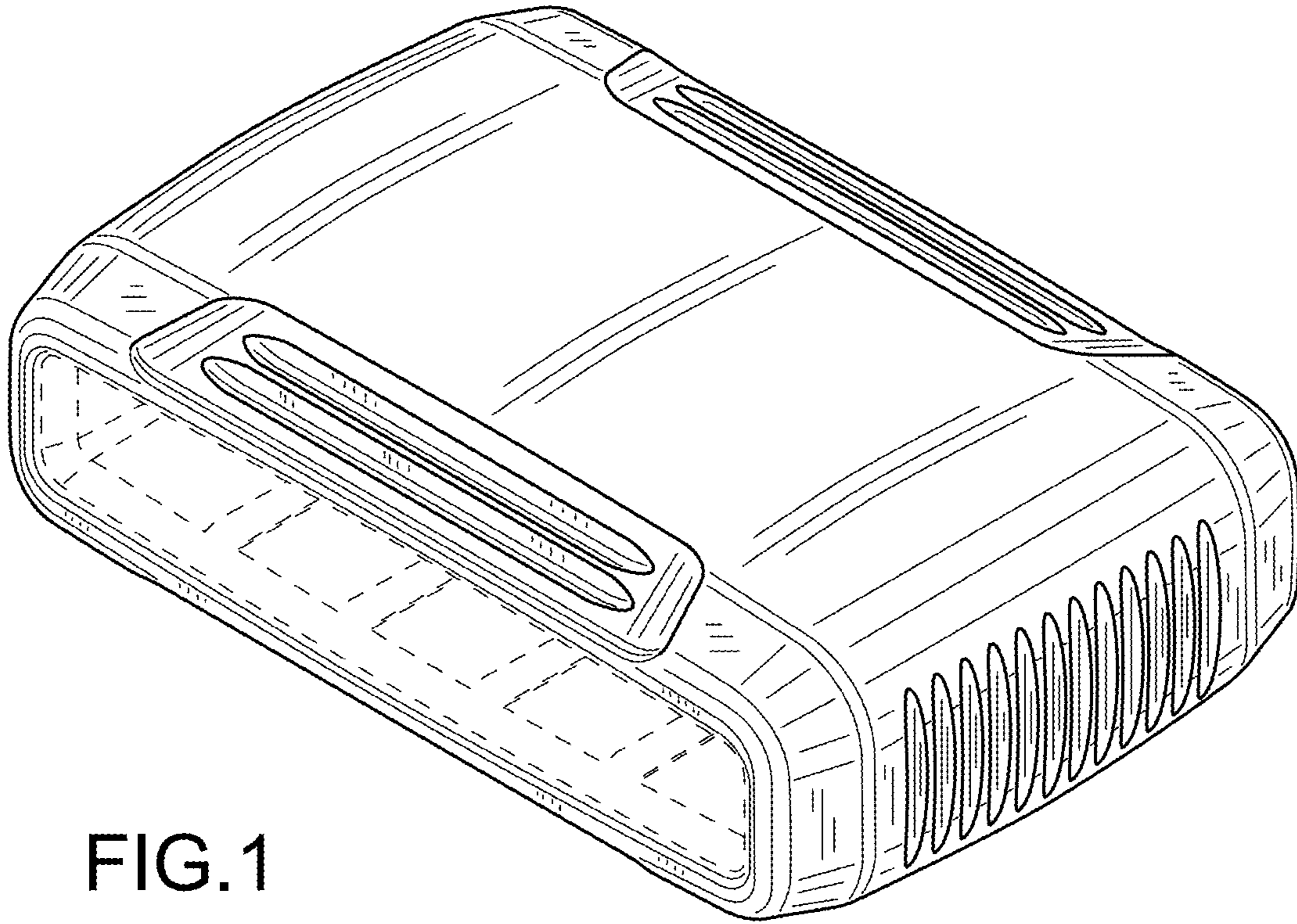


FIG.1

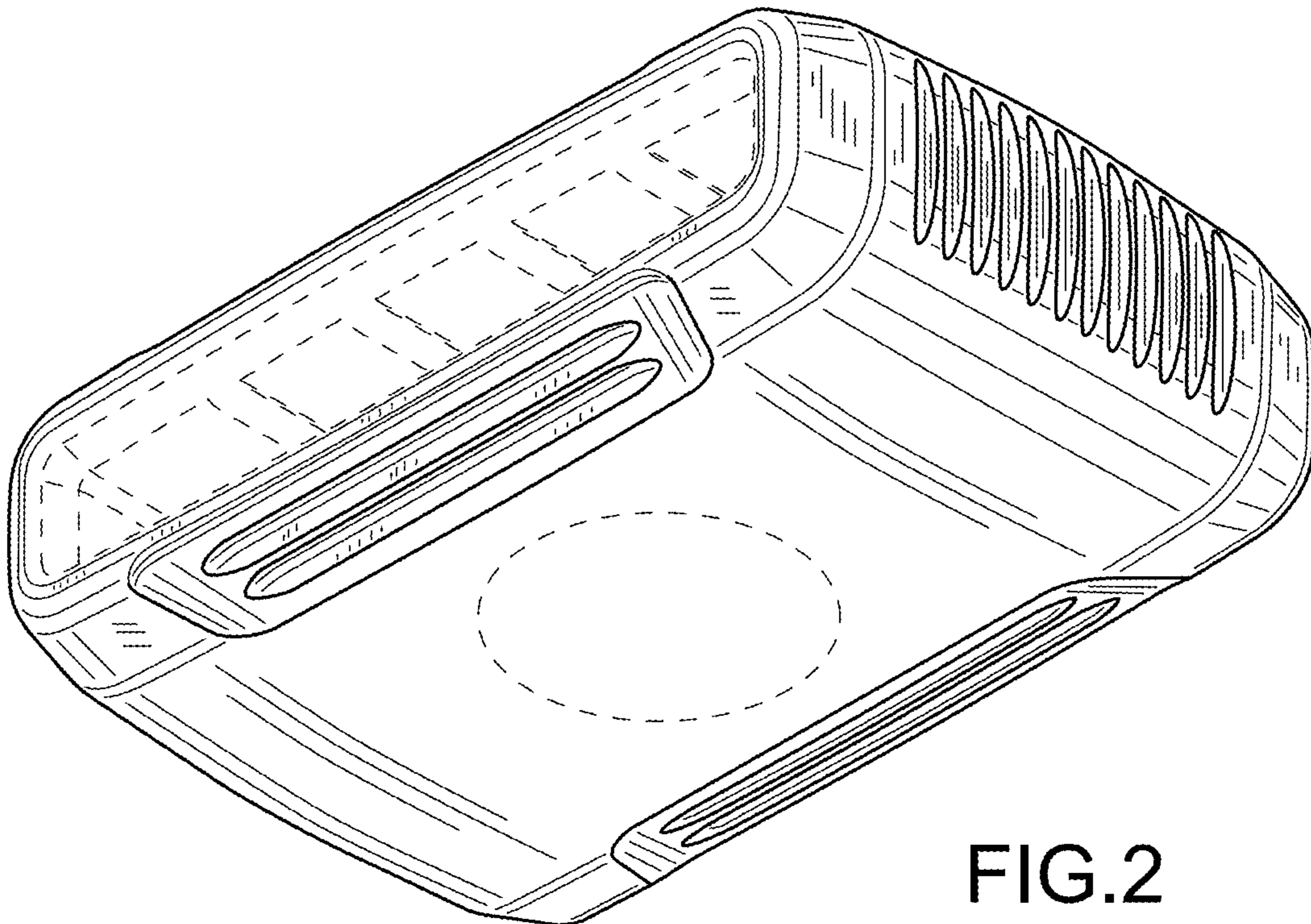


FIG.2

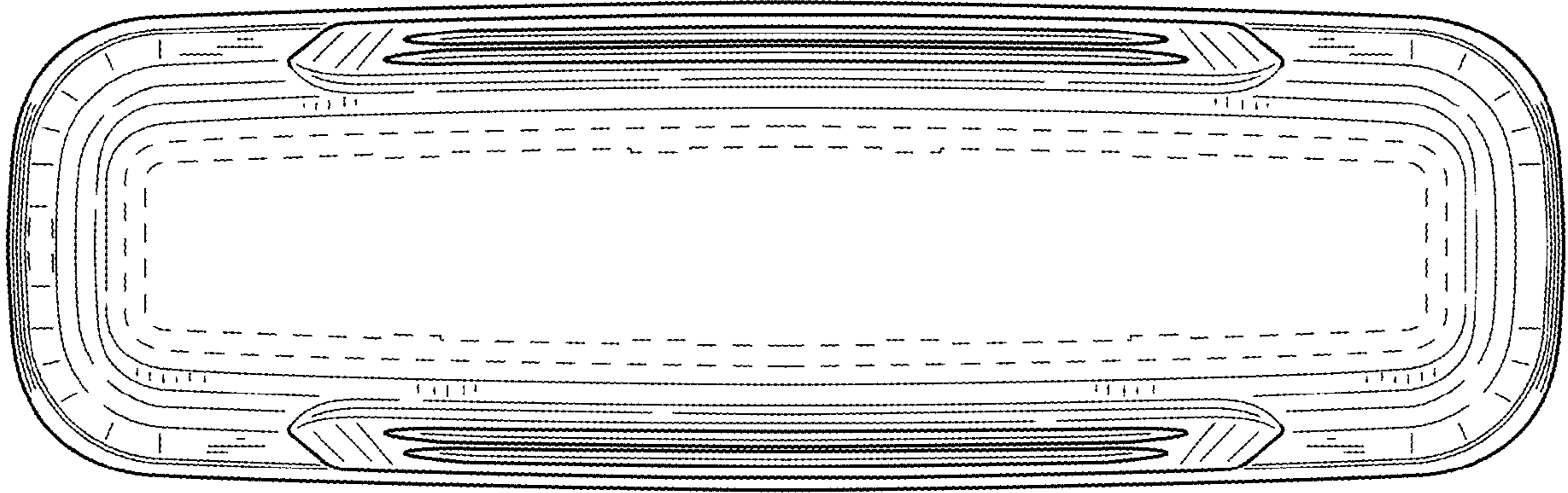


FIG.3

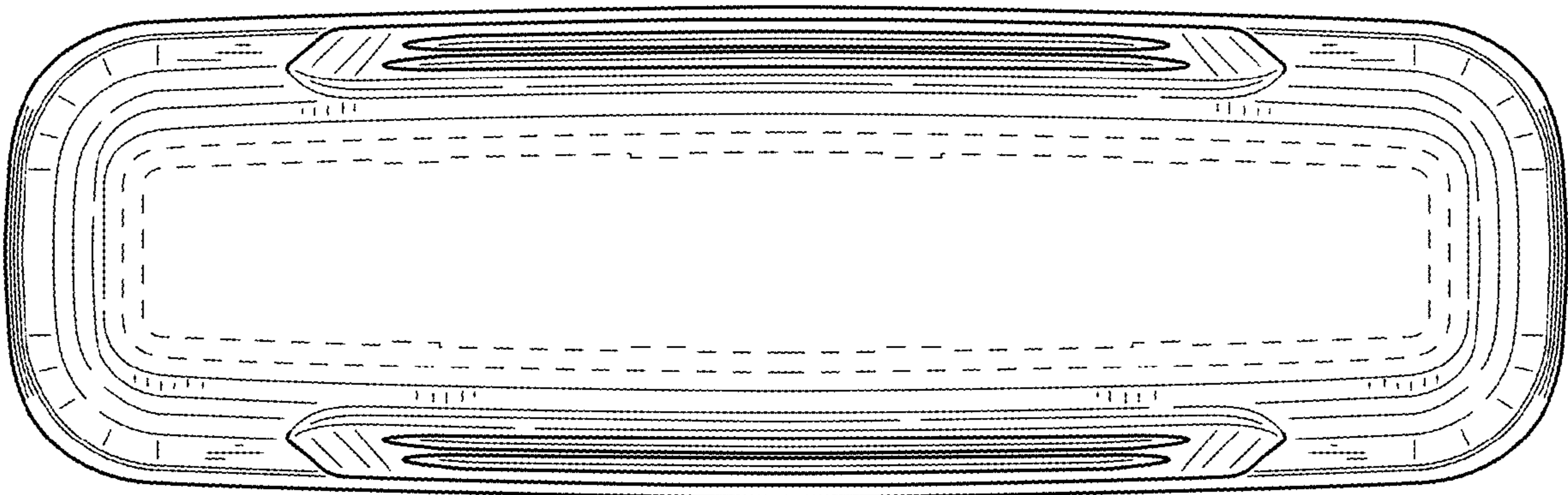


FIG.4

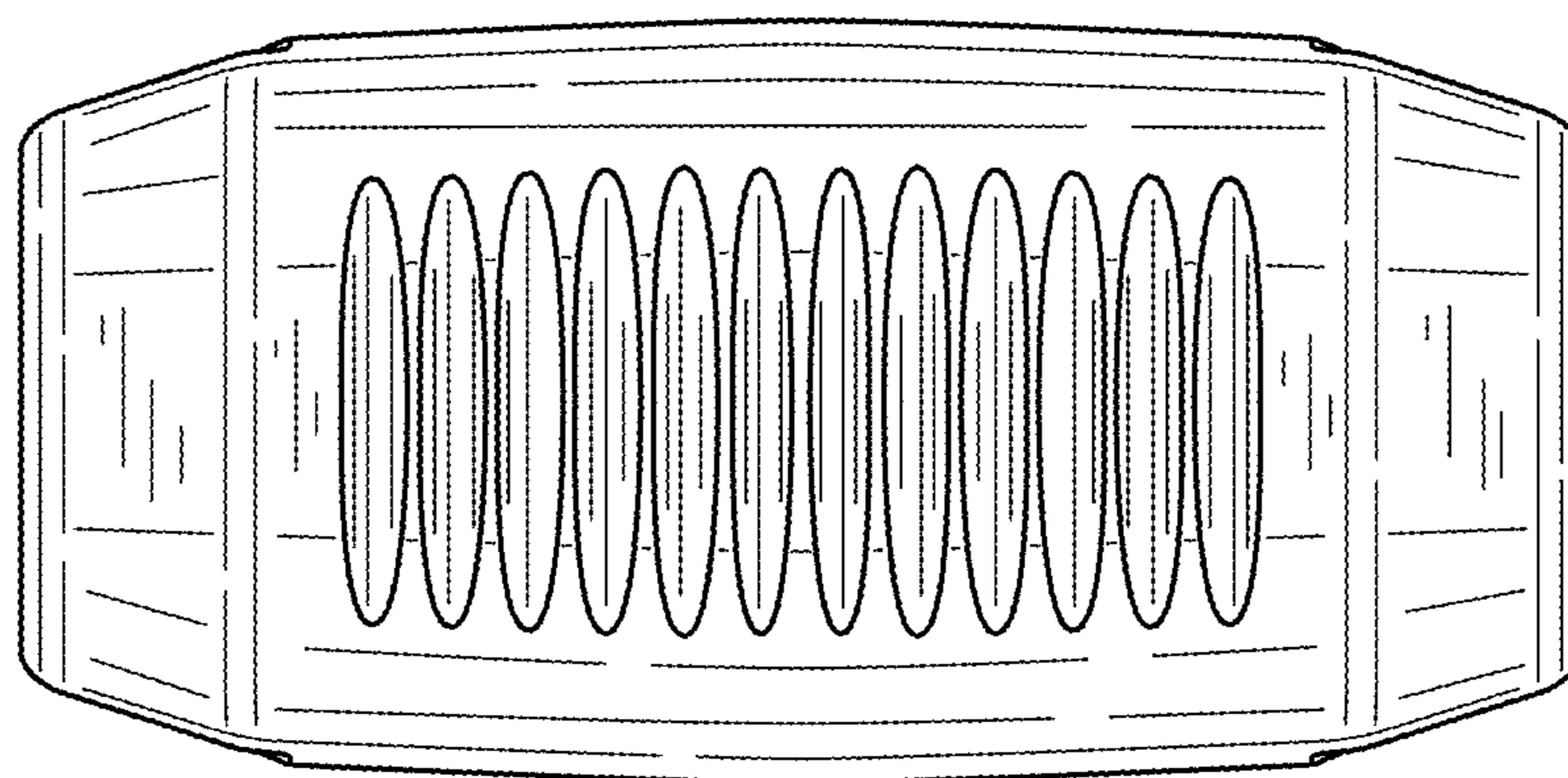


FIG. 5

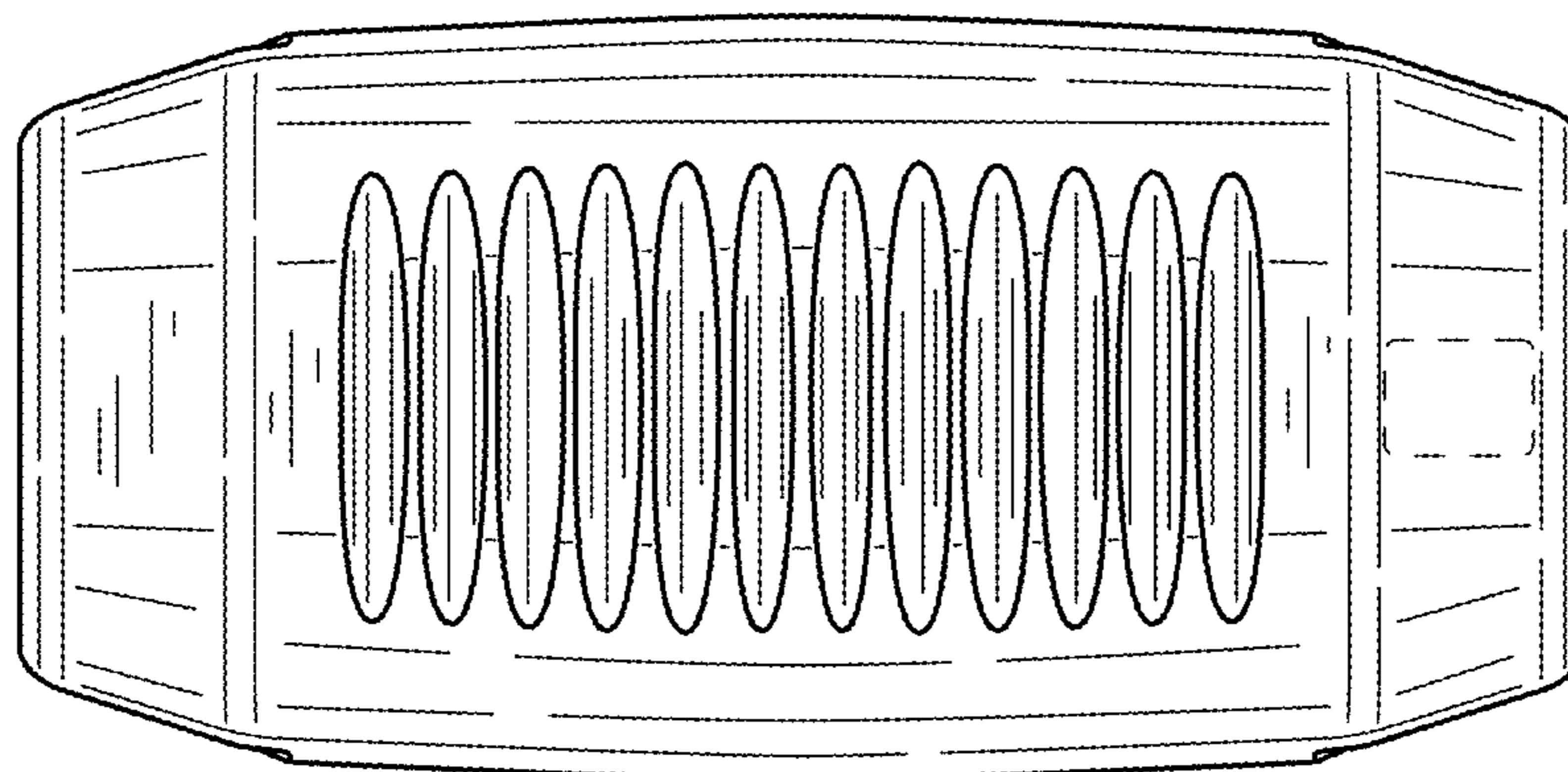


FIG. 6

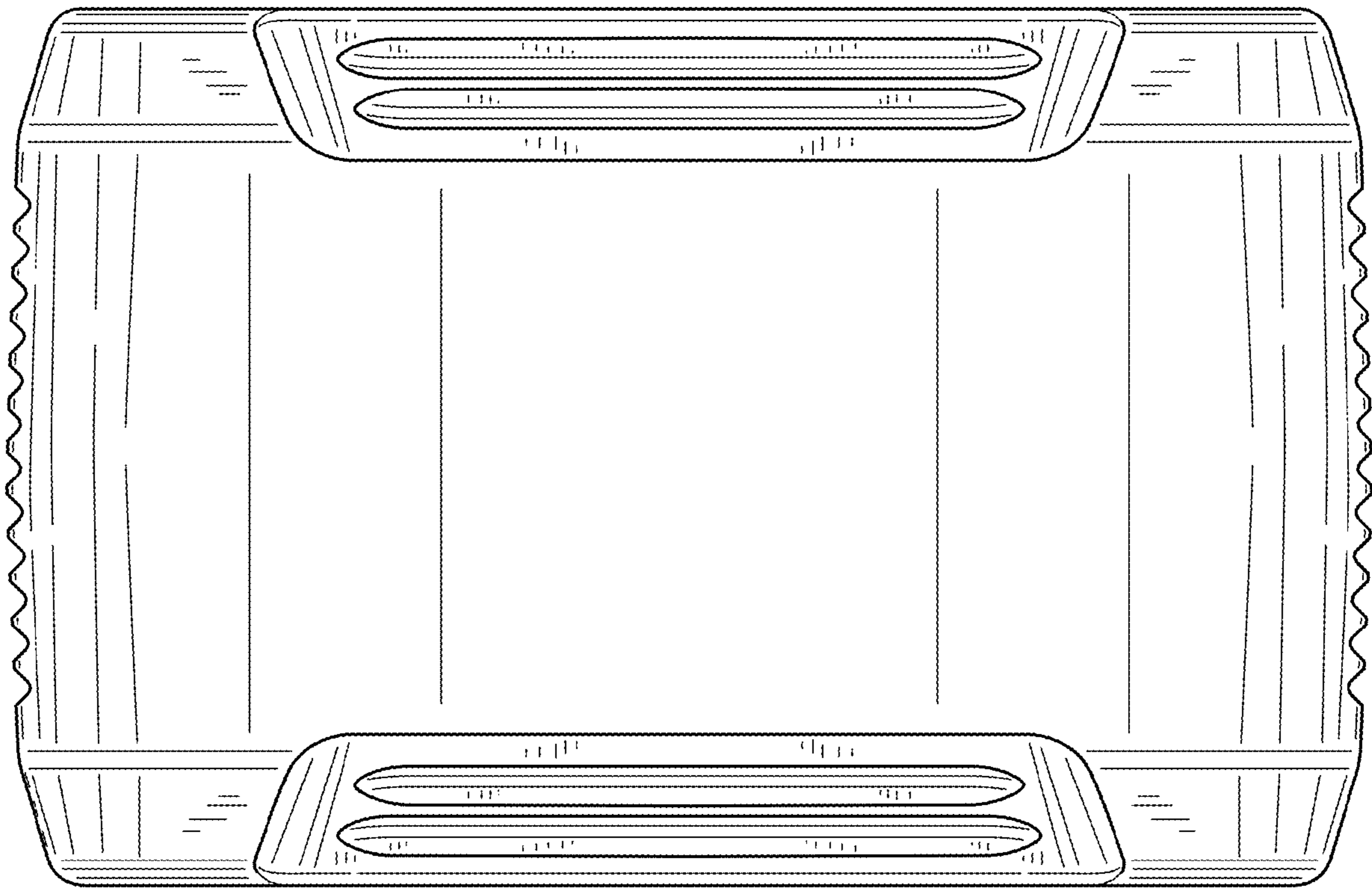


FIG.7

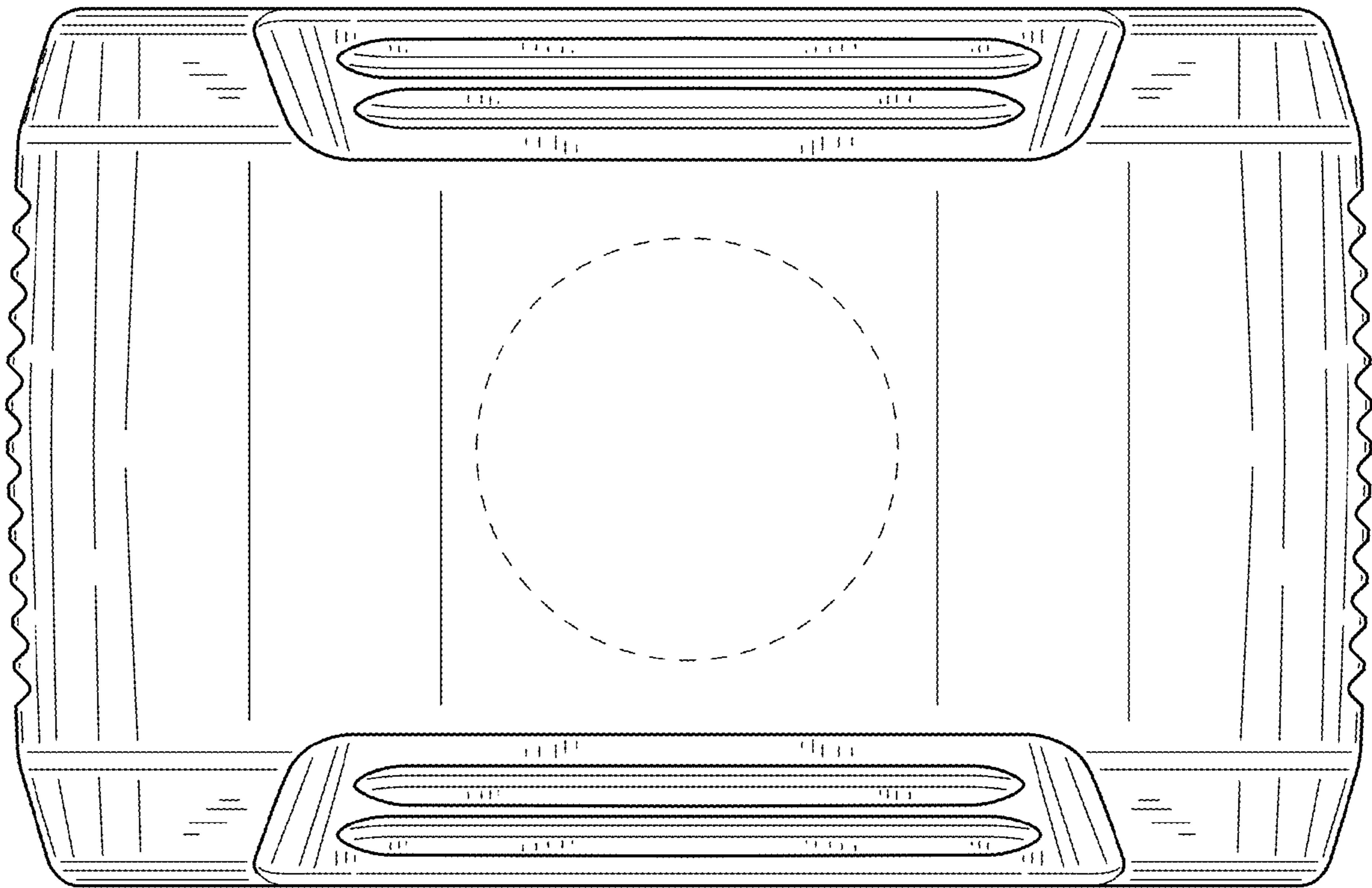


FIG.8