



US00D877279S

(12) **United States Design Patent**
Bofill

(10) **Patent No.:** **US D877,279 S**
(45) **Date of Patent:** **** Mar. 3, 2020**

(54) **FOREGRIP**

(71) Applicant: **masters outdoors, llc**, Miami, FL (US)

(72) Inventor: **Peter Bofill**, Hialeah, FL (US)

(**) Term: **15 Years**

(21) Appl. No.: **29/599,902**

(22) Filed: **Apr. 7, 2017**

(51) **LOC (12) Cl.** **22-01**

(52) **U.S. Cl.**
USPC **D22/108**

(58) **Field of Classification Search**
USPC D22/101, 107-111; D8/68
CPC F41C 23/10; F41C 23/14; F41C 23/16;
F41C 23/18

See application file for complete search history.

(56) **References Cited**

U.S. PATENT DOCUMENTS

D642,651	S *	8/2011	Faifer	D22/108
D660,934	S *	5/2012	Faifer	D22/108
D665,043	S *	8/2012	Fitzpatrick	D22/108
D693,424	S *	11/2013	Wristen	D22/108
D698,885	S *	2/2014	Faifer	D22/108
D716,398	S *	10/2014	Barnett	D22/107
D716,400	S *	10/2014	Barnett	D22/107
D726,278	S *	4/2015	Ding	D22/108
D745,623	S *	12/2015	Flores	D22/108
D745,624	S *	12/2015	Flores	D22/108
9,255,755	B1 *	2/2016	Barnett	F41B 5/12
D752,403	S *	3/2016	Kindig	D15/144
D775,302	S *	12/2016	Barnett	D22/107
D814,591	S *	4/2018	Kocgur	D22/103
10,443,973	B2 *	10/2019	Bofill	F41C 23/16
2011/0167707	A1 *	7/2011	Gross	F41C 23/16 42/114
2019/0257614	A1 *	8/2019	Bofill	F41C 23/16
2019/0390935	A1 *	12/2019	Purkiss	F41C 23/16

OTHER PUBLICATIONS

FAB Defense PTK Angled Foregrip, posted at Wise Tactical, posting date Mar. 17, 2017. [Site visited Sep. 25, 2018] URL: <<http://www.wisetactical.com/firearm-accessories/ar-15-parts/fab-defense-ptk-angled-foregrip-black-ergonomic-pointing-grip/>> (Year: 2017).*

* cited by examiner

Primary Examiner — Kevin K Rudzinski

Assistant Examiner — Kathleen L Jones

(74) *Attorney, Agent, or Firm* — Christopher J. Vandam, PA; Chris Van Dam

(57) **CLAIM**

The ornamental design for a foregrip, as shown and described.

DESCRIPTION

FIG. 1 shows a left elevation view of a foregrip shown within a broken line environment of use forming no part of the claimed design.

FIG. 2 shows a left elevation view of the foregrip.

FIG. 3 shows a right elevation view of the foregrip.

FIG. 4 shows a top plan view of the foregrip.

FIG. 5 shows a bottom plan view of the foregrip.

FIG. 6 shows a perspective view of the foregrip.

FIG. 7 shows a perspective view of the foregrip.

FIG. 8 shows a rear elevation view of the foregrip.

FIG. 9 shows a front elevation view of the foregrip; and,

FIG. 10 shows a partial perspective view of a detail identified by the callout in FIG. 2.

The smaller broken lines show boundaries of the claimed design and form no part thereof. The larger broken lines showing portions of the foregrip are included to illustrate portions of the article and form no part of the claimed design.

1 Claim, 10 Drawing Sheets

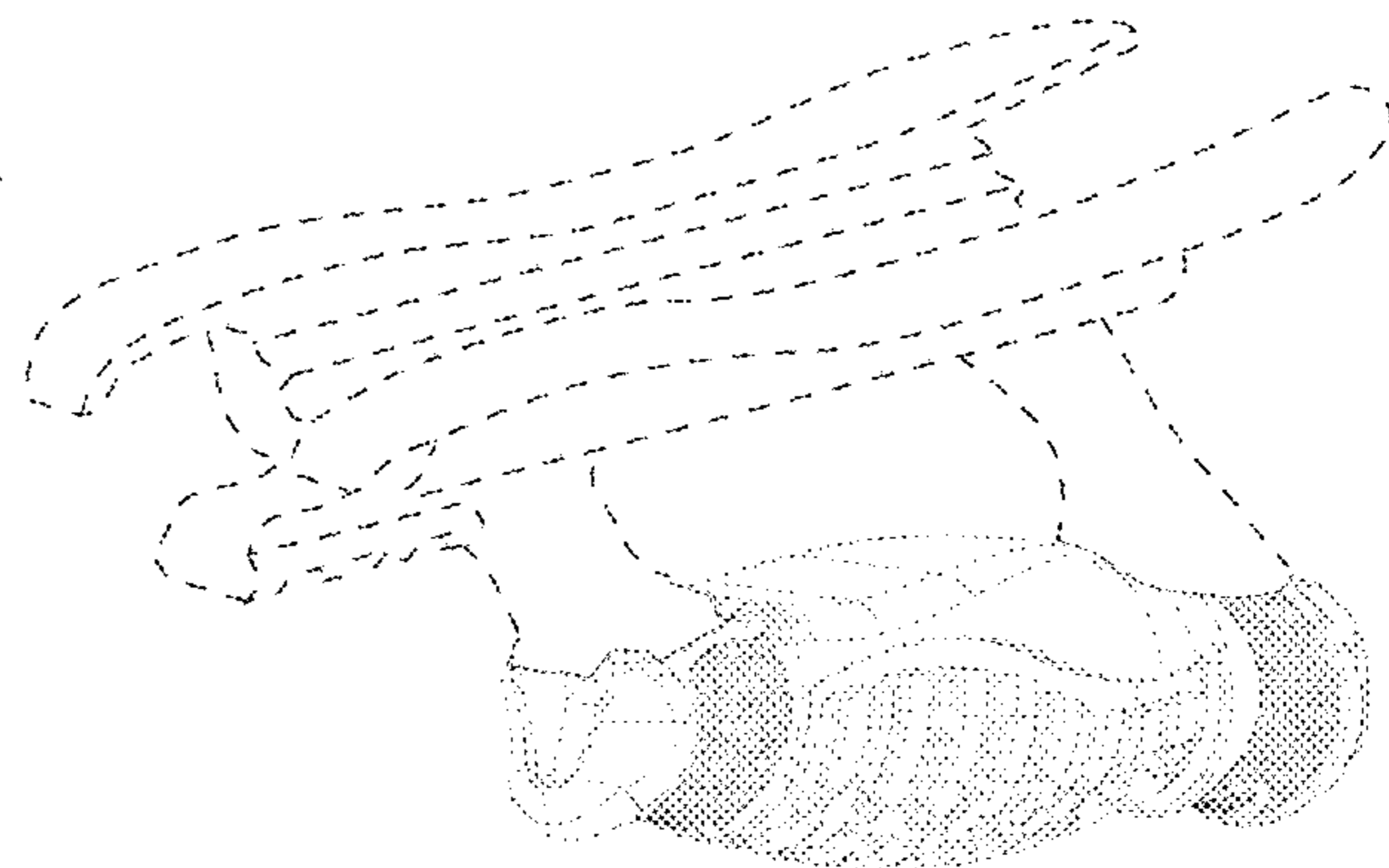
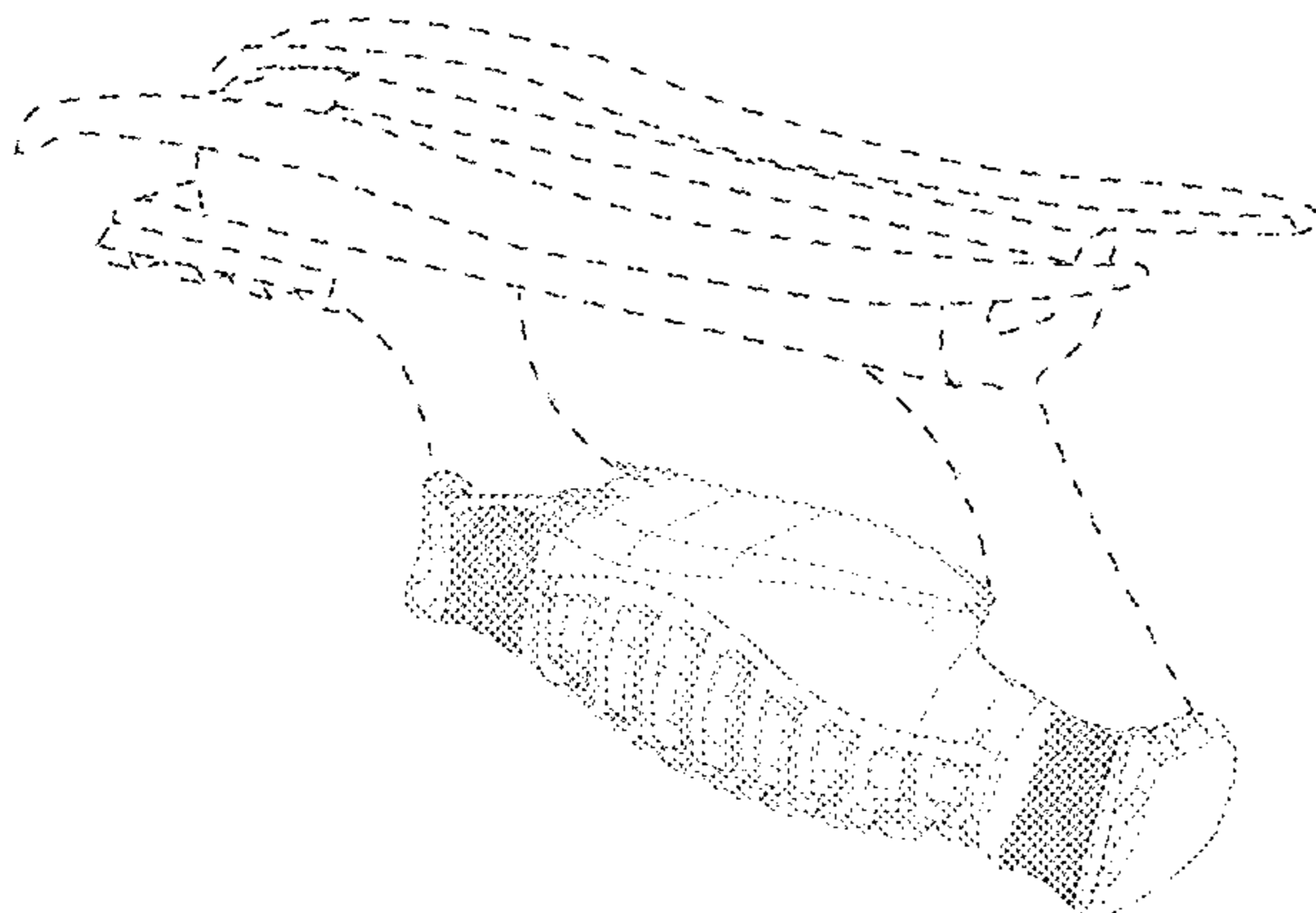




FIG 1

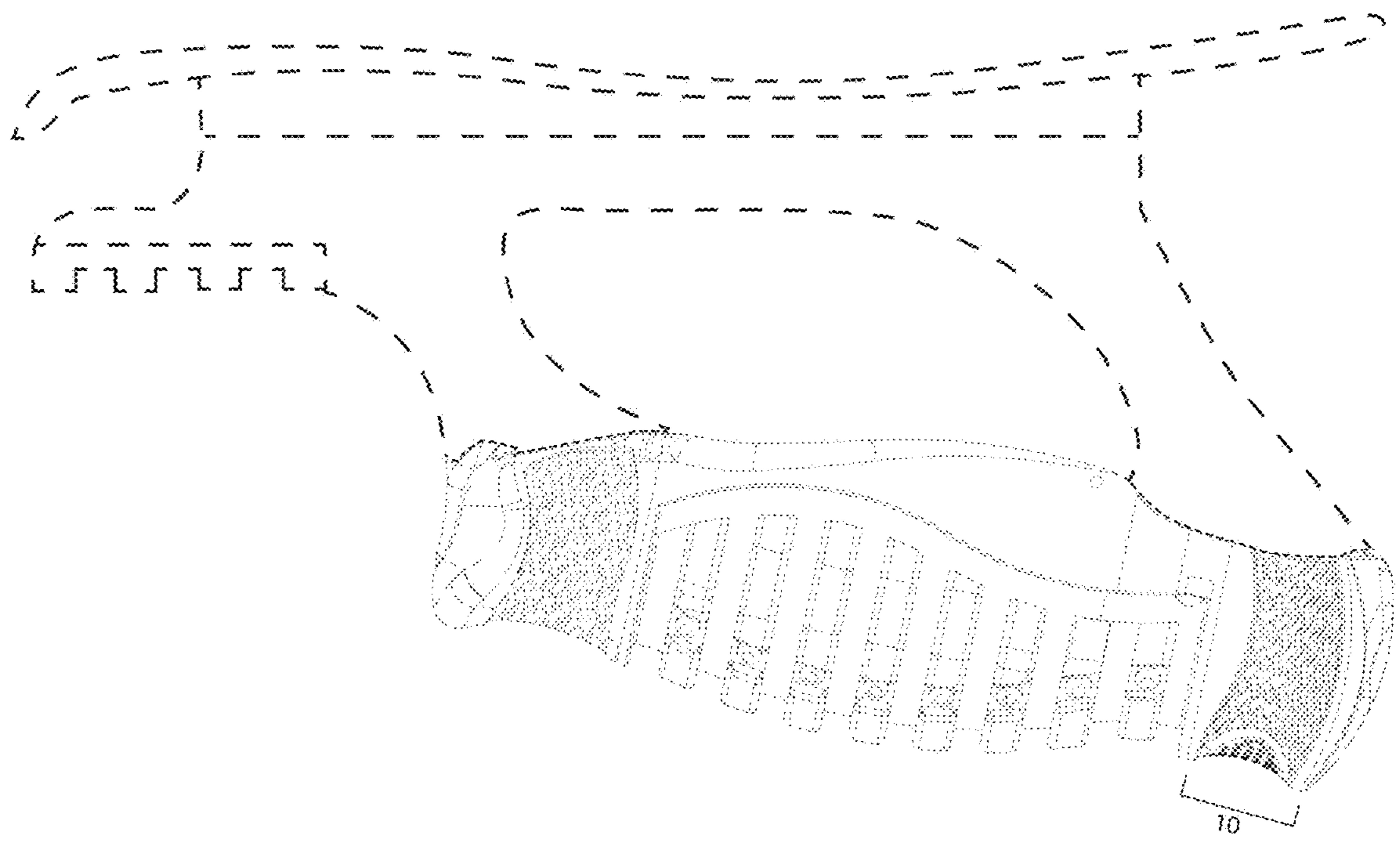


FIG 2

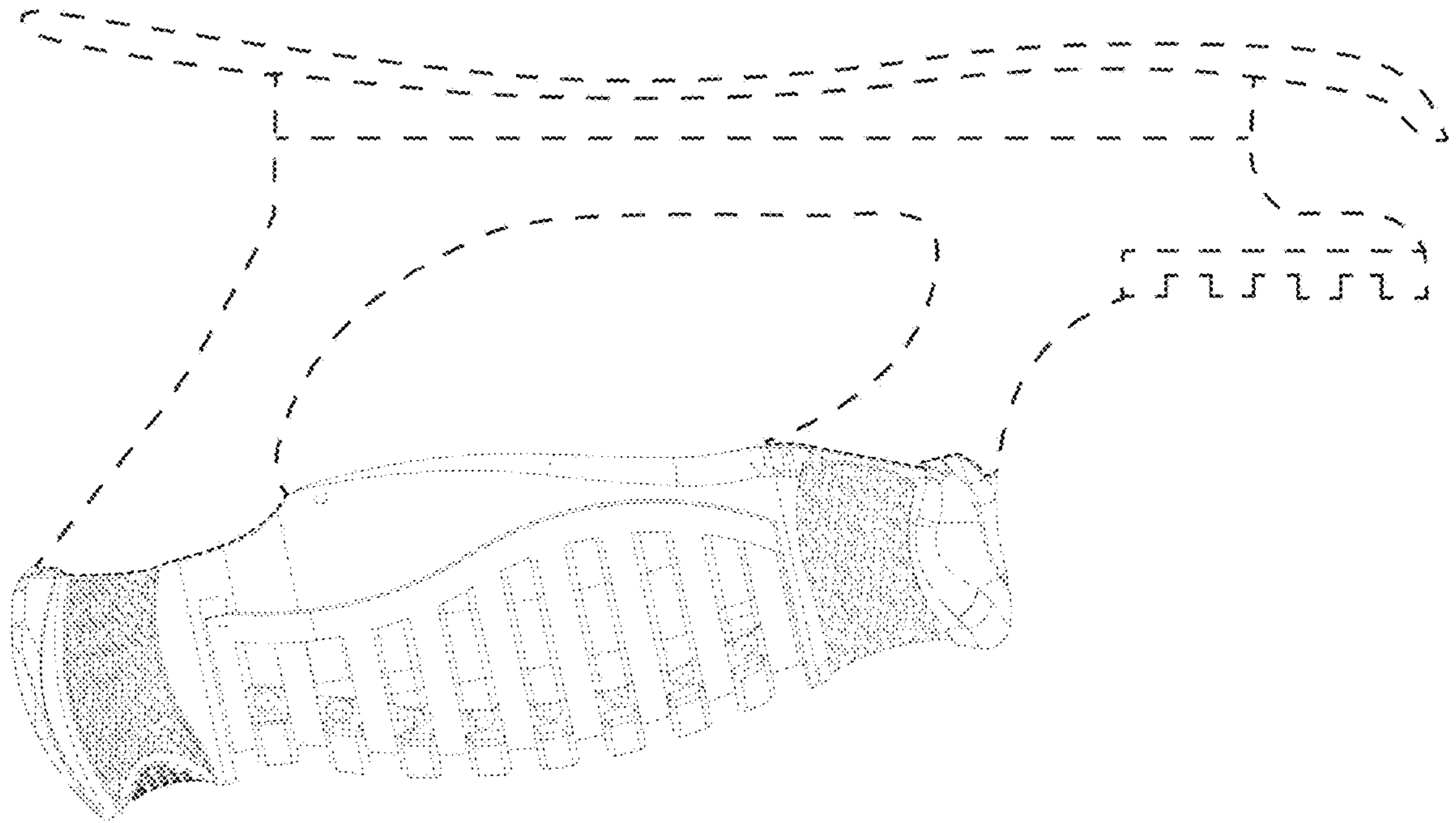


FIG 3

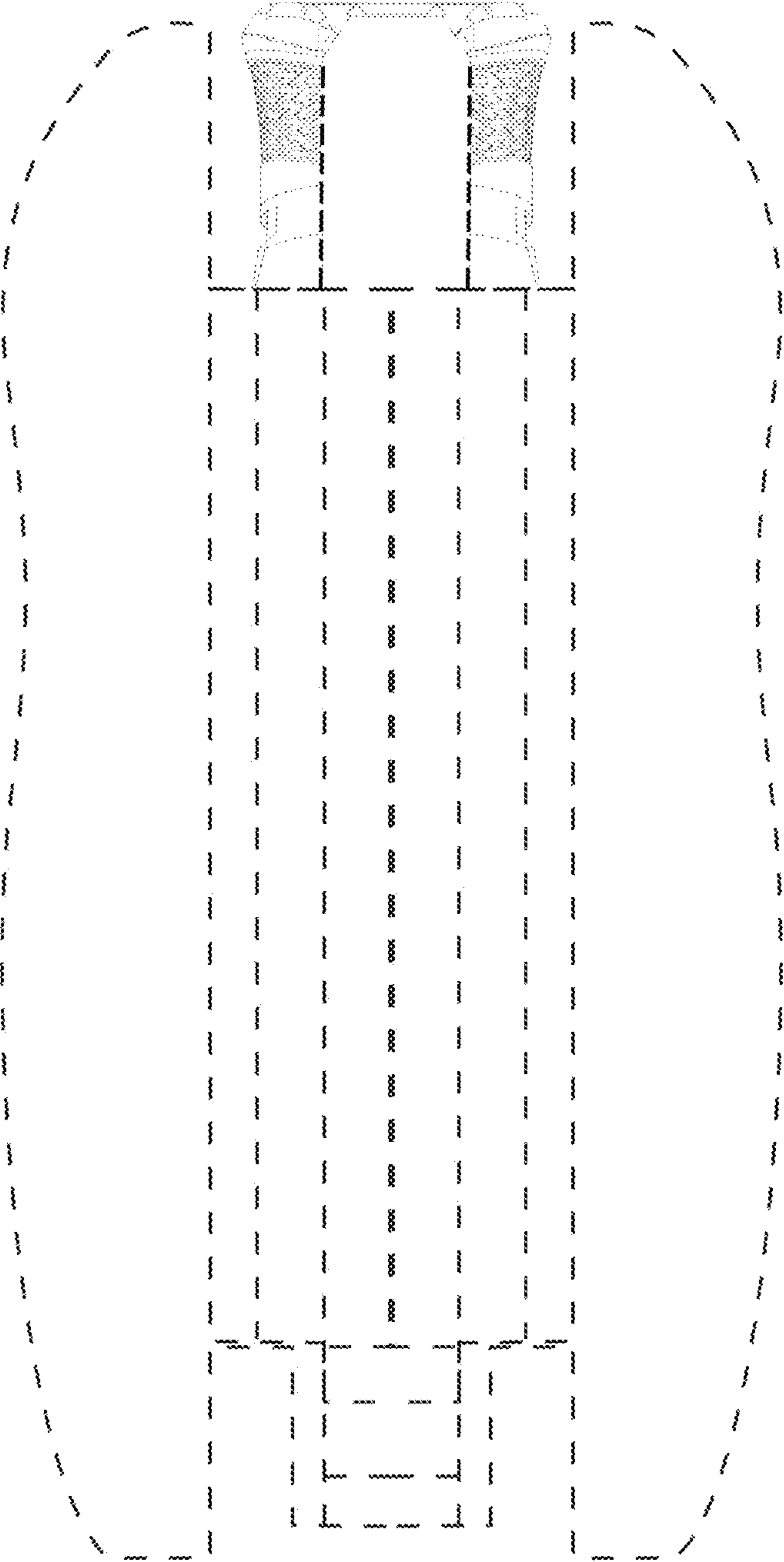


FIG 4

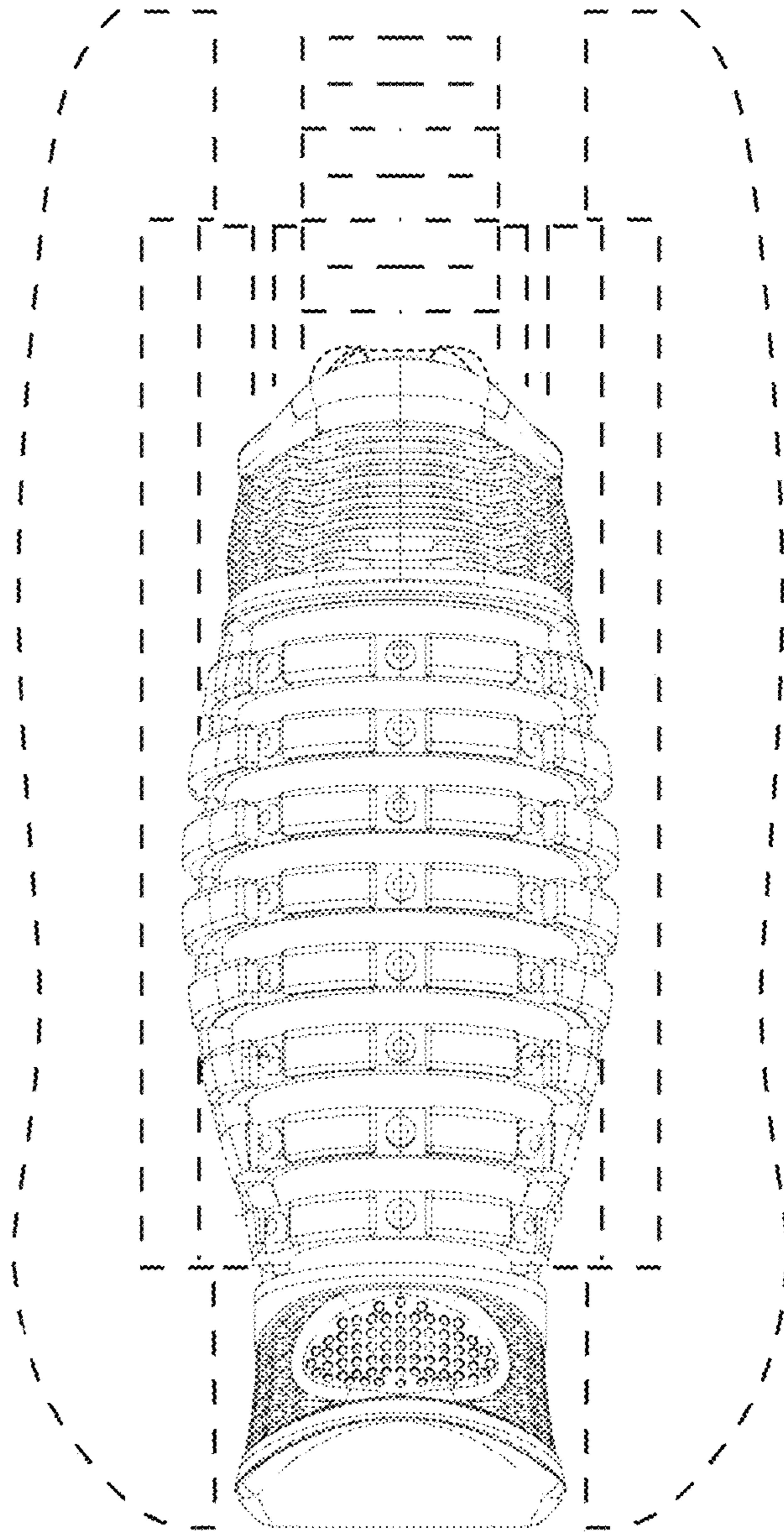


FIG 5

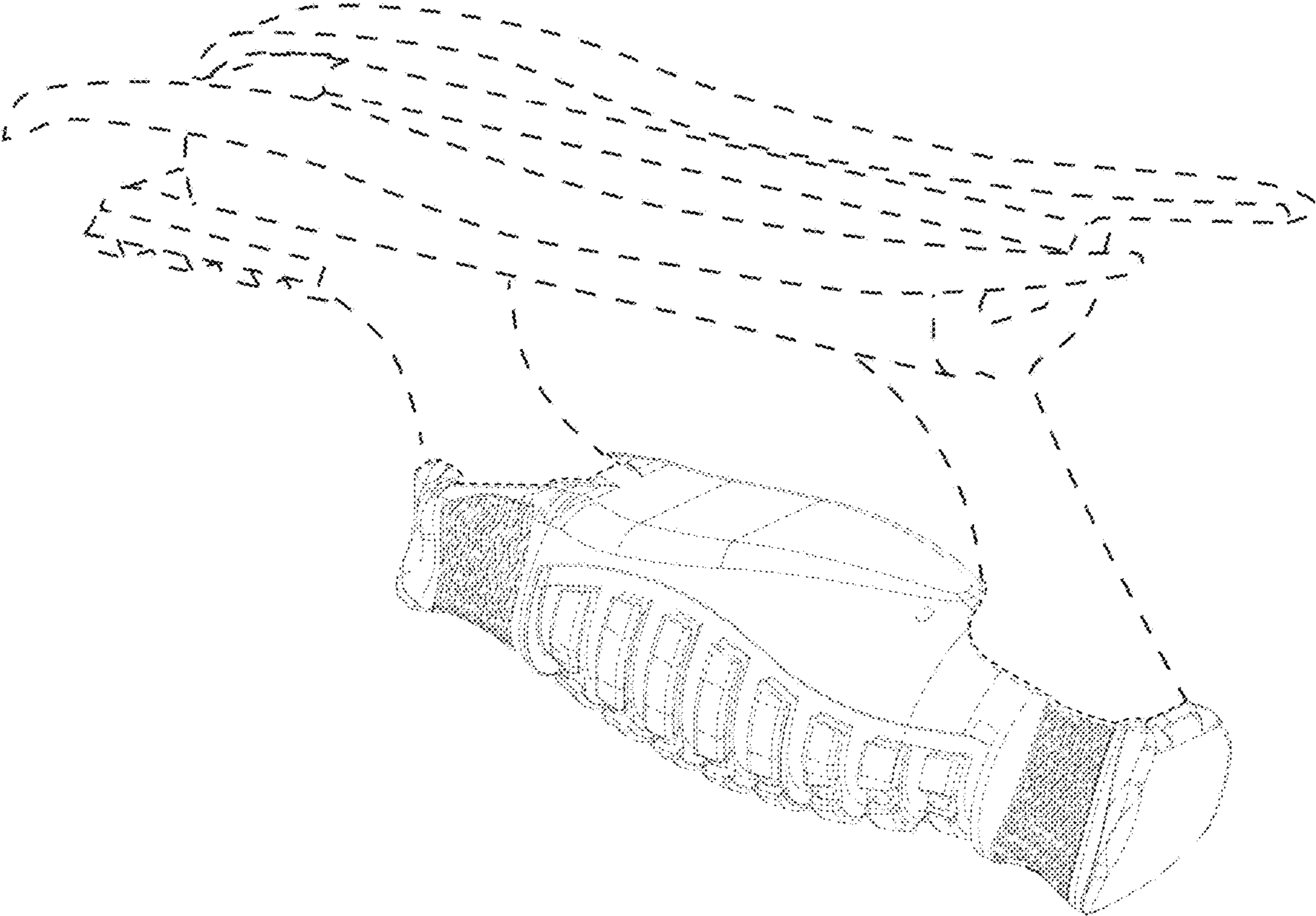


FIG 6

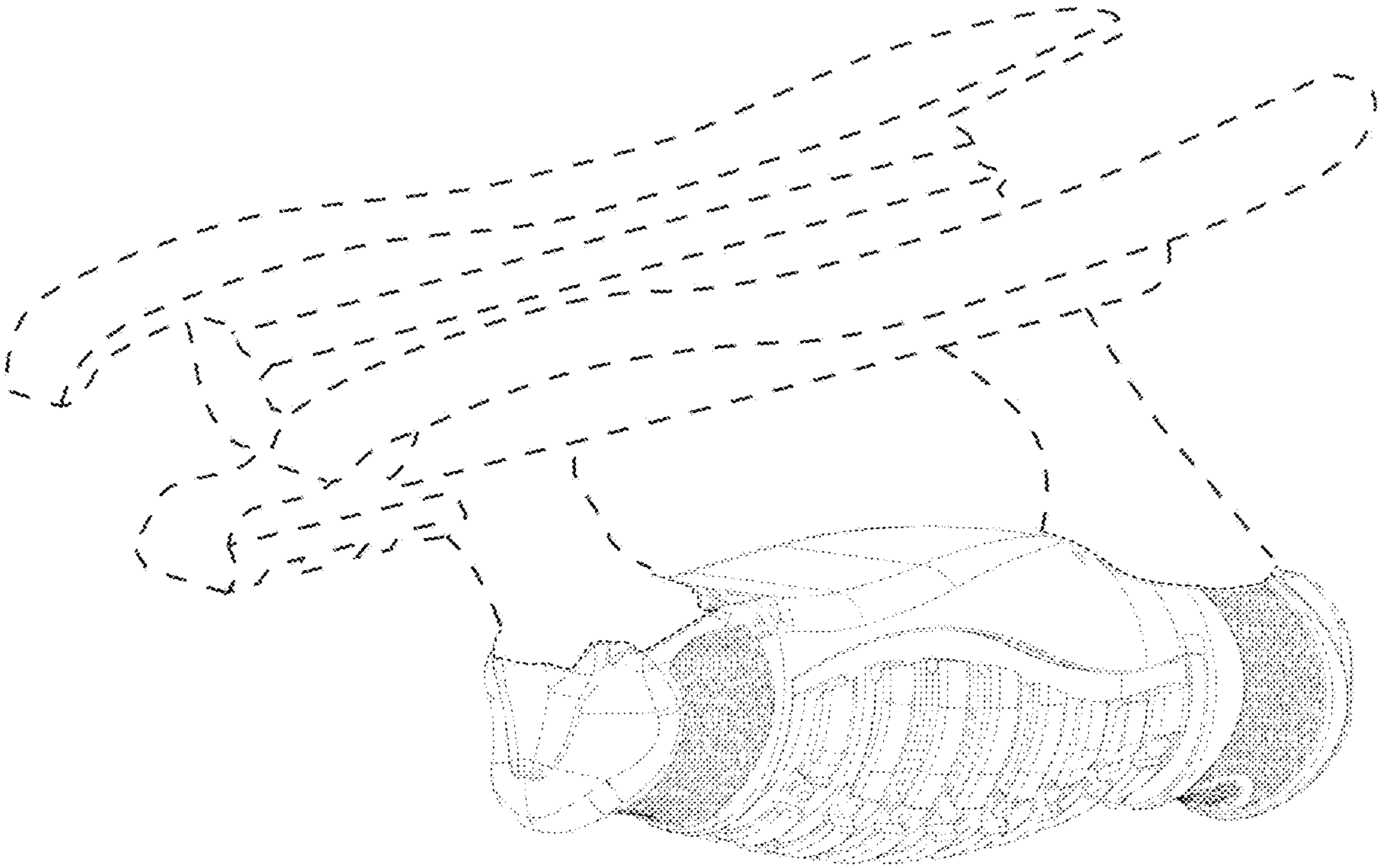


FIG 7

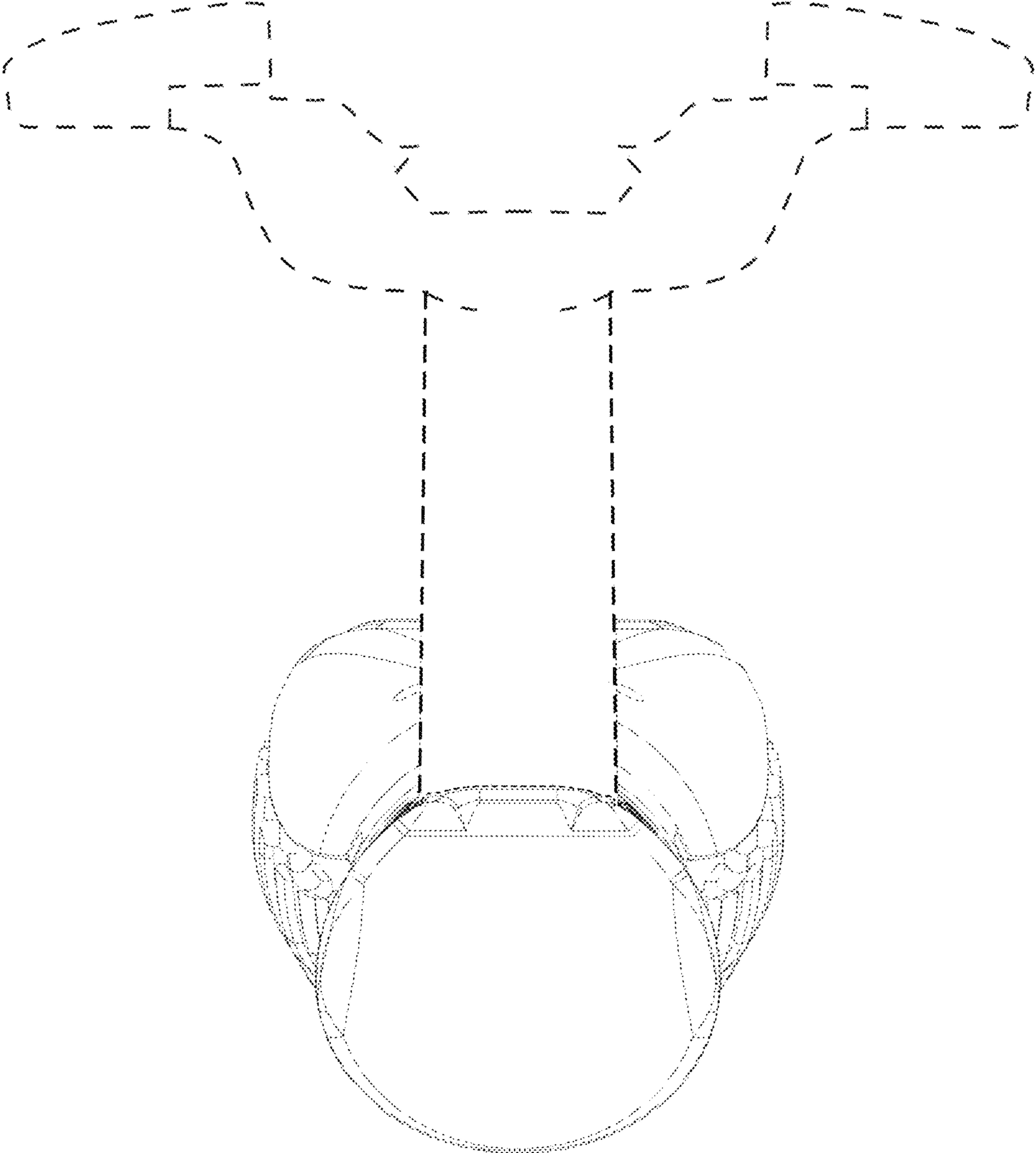


FIG 8

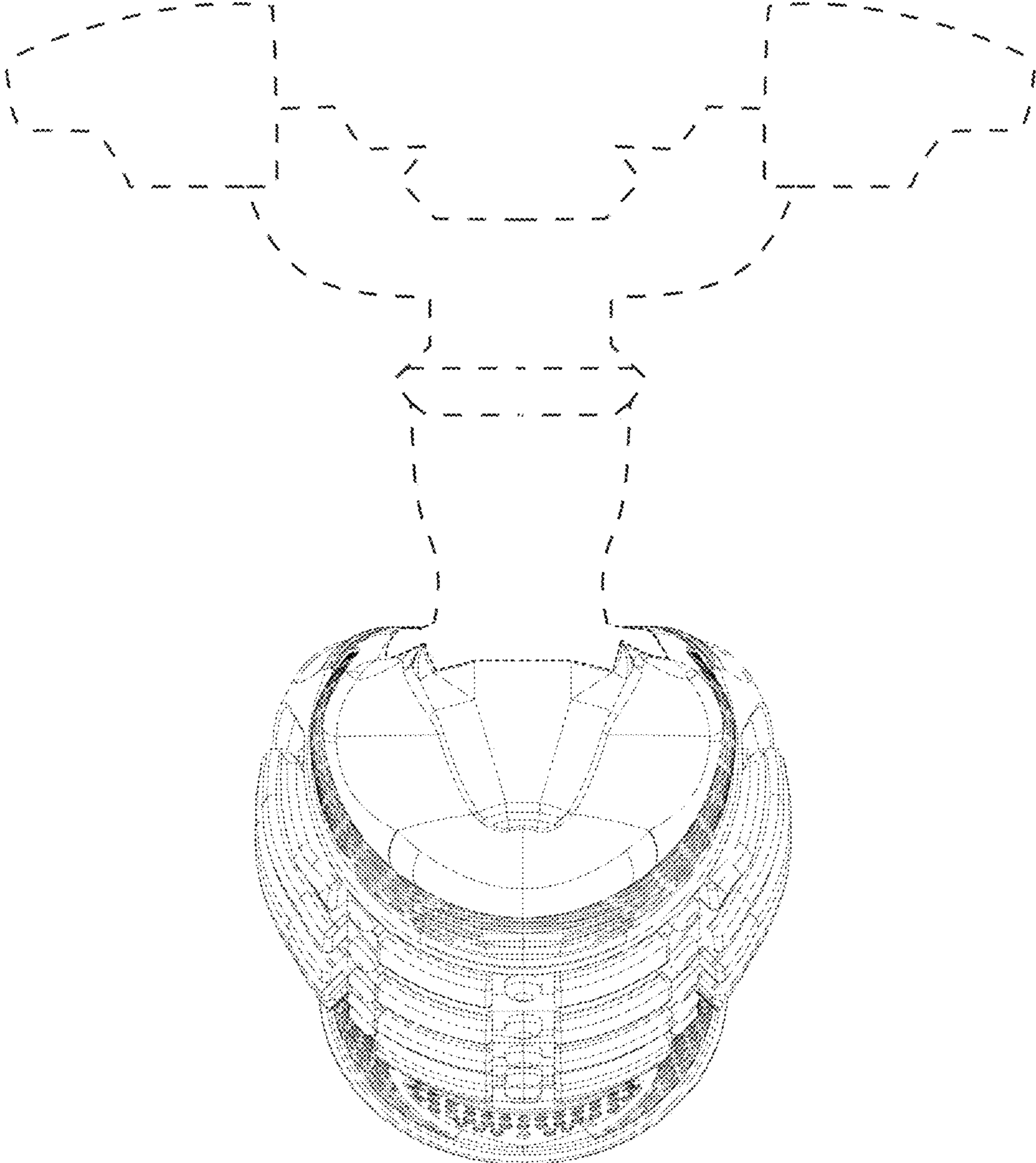


FIG 9

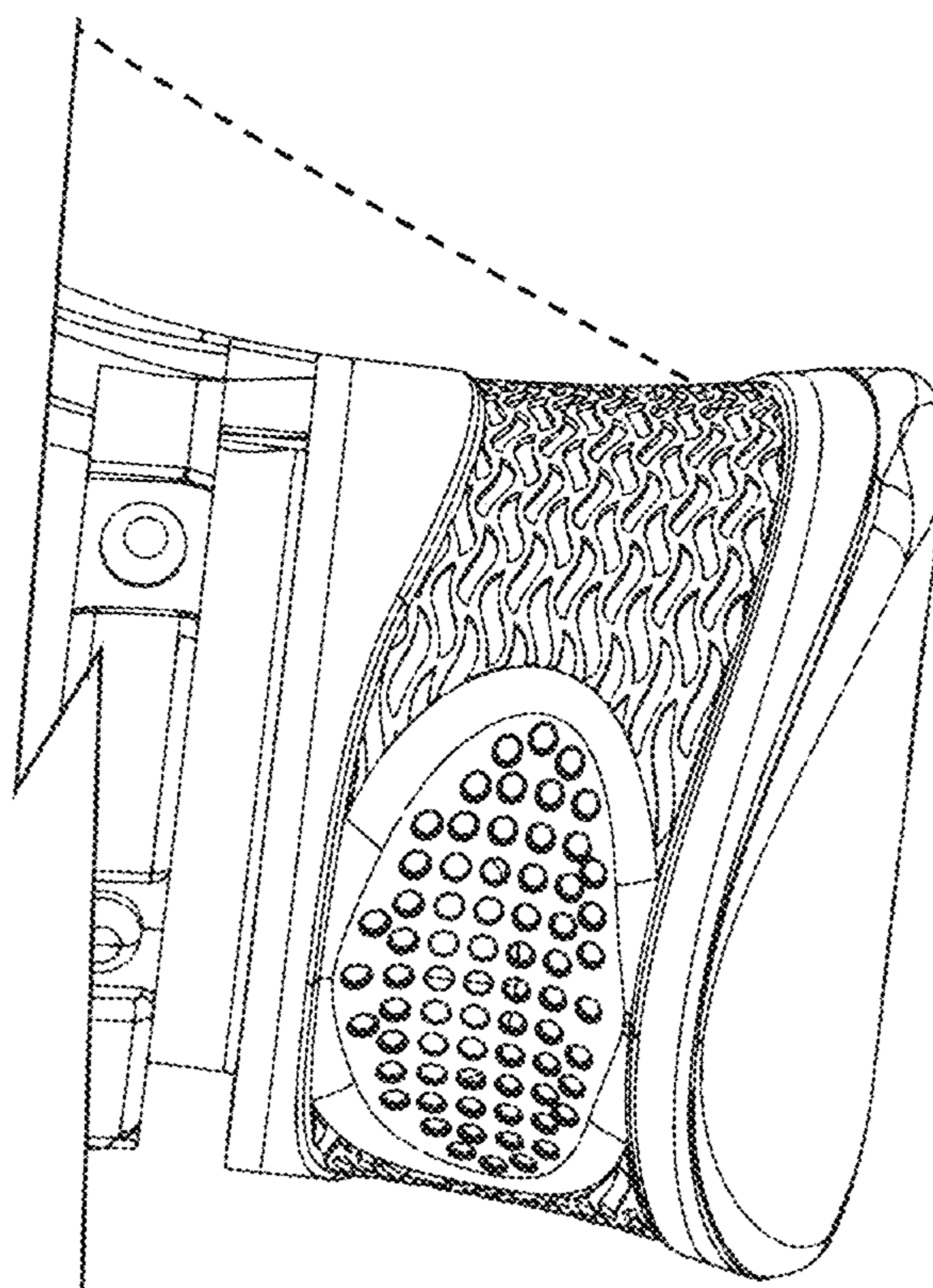


FIG 10