



US00D877277S

(12) **United States Design Patent**
Ribelin et al.

(10) **Patent No.:** **US D877,277 S**
(45) **Date of Patent:** **** Mar. 3, 2020**

- (54) **SUPPRESSED PISTOL**
- (71) Applicant: **SilencerCo, LLC**, West Valley City, UT (US)
- (72) Inventors: **Rex Ribelin**, Cottonwood Heights, UT (US); **Jacob Scott Turnblom**, Murray, UT (US)
- (73) Assignee: **SilencerCo, LLC**, West Valley City, UT (US)
- (**) Term: **15 Years**
- (21) Appl. No.: **29/664,220**
- (22) Filed: **Sep. 24, 2018**
Related U.S. Application Data
- (62) Division of application No. 29/583,211, filed on Nov. 3, 2016, now Pat. No. Des. 829,292.
- (51) **LOC (12) Cl.** **22-01**
- (52) **U.S. Cl.**
USPC **D22/104; D22/108**
- (58) **Field of Classification Search**
USPC D22/100, 104, 108, 109, 199;
D21/572-575, 145, 146, 147, 567;
D14/418; 124/16, 25.7, 27, 45, 82, 23.1,
124/35.2, 37, 79; 446/401, 403, 400,
446/473, 445, 182, 405, 407; 248/200;
D8/354, 373, 380, 499; 42/4, 41, 42.01,
42/42.02, 42.03, 43, 44, 45, 57, 69.01,
42/71.02, 72, 100; 89/40.06, 41.19,
89/37.04, 33.04, 191.01, 200-204;
362/110, 113
CPC F41C 3/005; F41C 3/02; F41C 3/04; F41C
3/06; F41C 3/14; F41C 3/16; F41C 9/02;
F41C 9/04; F41C 9/06; F41C 9/08
See application file for complete search history.

(56) **References Cited**
U.S. PATENT DOCUMENTS

D330,749 S *	11/1992	Aigner	D22/104
5,522,167 A *	6/1996	Teetzal	F41A 9/62
			250/208.4

D377,077 S *	12/1996	Predazzer	D22/100
D416,013 S *	11/1999	Muraki	D14/418
5,975,068 A *	11/1999	Halter	F41B 11/642
			124/37

(Continued)

OTHER PUBLICATIONS

SilencerCo Maxim 9 Overview, YouTube.com, Capitol Armory, Published on May 17, 2017, [online], [site visited Jul. 25, 2019]. <URL: https://www.youtube.com/watch?v=0ee_3esmxY> (Year: 2017).*

(Continued)

Primary Examiner — T Chase Nelson
Assistant Examiner — Jonathan J. Han

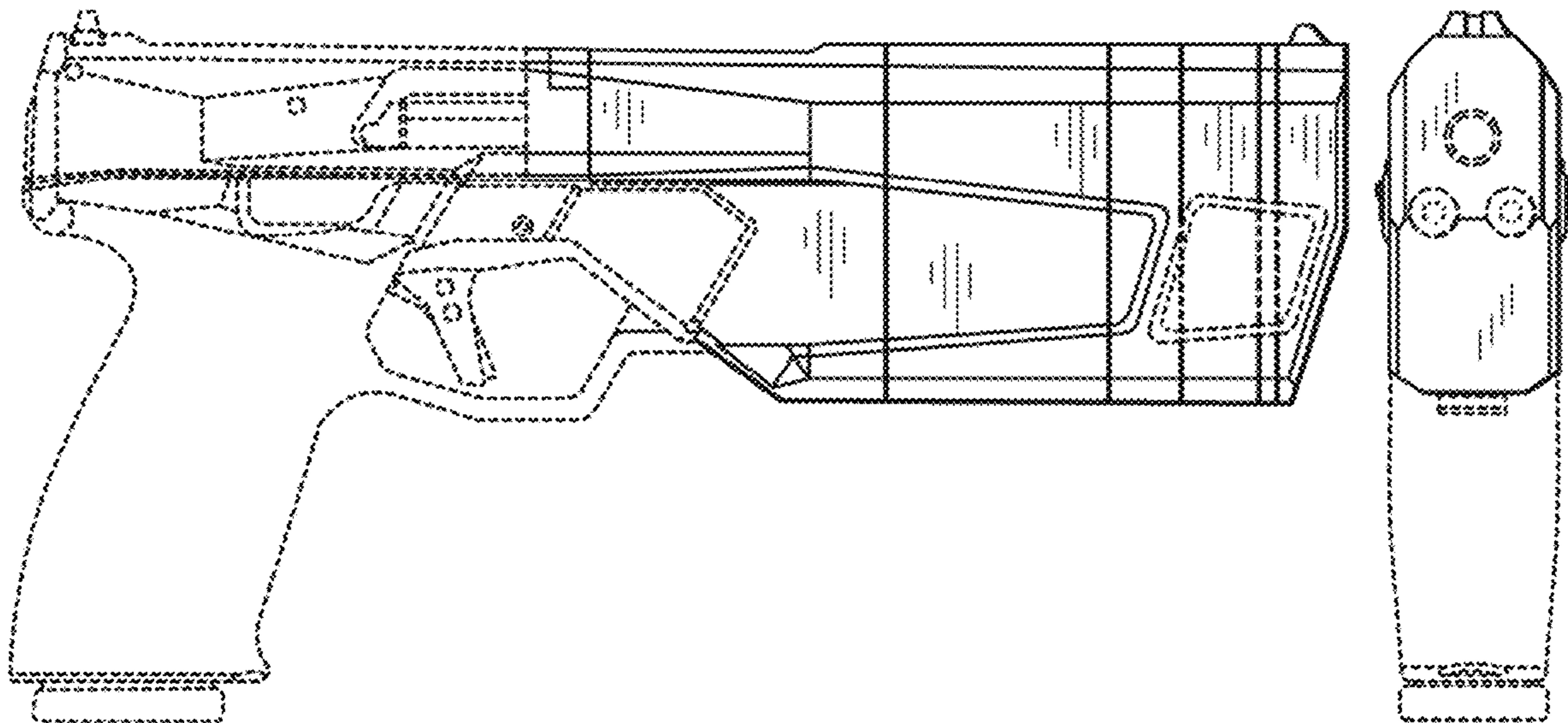
(57) **CLAIM**

We claim the ornamental design for a suppressed pistol, as shown and described.

DESCRIPTION

FIG. 1 is a right side view of our design of a suppressed pistol according to our invention;
 FIG. 2 is a left side view of the suppressed pistol shown in FIG. 1;
 FIG. 3 is a top view of the suppressed pistol shown in FIG. 1;
 FIG. 4 is a bottom view of the suppressed pistol shown in FIG. 1;
 FIG. 5 is a front view of the suppressed pistol shown in FIG. 1; and,
 FIG. 6 is a rear view of the suppressed pistol shown in FIG. 1.
 The broken lines depict portions of the suppressed pistol that form no part of the claimed design.

1 Claim, 2 Drawing Sheets



(56)

References Cited

U.S. PATENT DOCUMENTS

D454,166 S * 3/2002 Hornsby D21/574
 D458,652 S * 6/2002 Chan
 D508,277 S * 8/2005 Cerovic D21/574
 D521,568 S * 5/2006 Hussaini D14/418
 7,287,526 B1 * 10/2007 Bligh F41B 11/643
 124/63
 D630,290 S * 1/2011 Velasquez D22/104
 D651,275 S * 12/2011 Emde D22/104
 D654,118 S * 2/2012 Sogabe D14/218
 D660,920 S * 5/2012 Johnson D21/572
 D660,923 S * 5/2012 Johnson D21/573
 D660,925 S * 5/2012 Jablonski D21/573
 D664,609 S * 7/2012 Johnson D21/574
 8,312,658 B2 11/2012 Lippard
 D672,832 S * 12/2012 Gerwig D22/103
 D678,452 S * 3/2013 Baldwin D22/103
 D678,454 S * 3/2013 Emde D22/104
 8,448,365 B2 * 5/2013 Mead F41B 7/003
 42/54
 D687,117 S 7/2013 Yigit
 D687,505 S * 8/2013 Knorst D22/103
 D702,794 S * 4/2014 Chow D22/104
 8,720,426 B2 * 5/2014 Hadley F41B 11/51
 124/66
 D716,899 S 11/2014 Rothmann
 D734,826 S * 7/2015 Chow D22/104
 D742,989 S 11/2015 Holden
 D754,258 S * 4/2016 Sakai D14/418
 D754,796 S * 4/2016 Sakai D14/418
 D758,519 S 6/2016 Toner

D778,389 S 2/2017 Holden
 D829,292 S * 9/2018 Ribelin D22/104
 D842,393 S * 3/2019 Xiao D21/575
 D847,136 S * 4/2019 Tenbrink D14/418
 2006/0010746 A1 1/2006 Little
 2006/0187610 A1 * 8/2006 Su F41B 11/62
 361/232
 2009/0282718 A1 * 11/2009 Bartley F41C 23/12
 42/75.03
 2011/0072704 A1 * 3/2011 Teach, Jr. F41A 3/58
 42/8
 2012/0279105 A1 * 11/2012 Emde F41A 11/04
 42/1.08
 2017/0205173 A1 * 7/2017 Thomas F41A 3/40

OTHER PUBLICATIONS

Maxim 9 Product Overview, Silencerco.com, [online], [site visited Jul. 25, 2019]. <URL: <https://silencerco.com/maxim-9>> (Year: 2019).*
 Maxim 9 SilencerCo, integrally suppressed pistol, New-WeaponsAndMore.blogspot.com, Sep. 16, 2015, [online], [site visited Jul. 25, 2019]. <URL: <https://newweaponsandmore.blogspot.com/2015/09/maxim-9-silencerco-integrally.html#!/2015/09/maxim-9-silencerco-integrally.html>> (Year: 2015).*
 3D Sci-fi Handgun, Turbosquid.com, Published: Jun. 29, 2018, [online], [site visited Jul. 25, 2019]. <URL: <https://www.turbosquid.com/3d-models/3d-sci-fi-handgun-1301452>> (Year: 2018).*
 NFA Review Channel—YouTube, Silencerco Maxim 9, Sep. 17, 2015, [site visited Aug. 31, 2016], Available on the Internet YRL:<<https://www.youtube.com/watch?v=BhK7F7kt50g>>.

* cited by examiner

FIG. 1

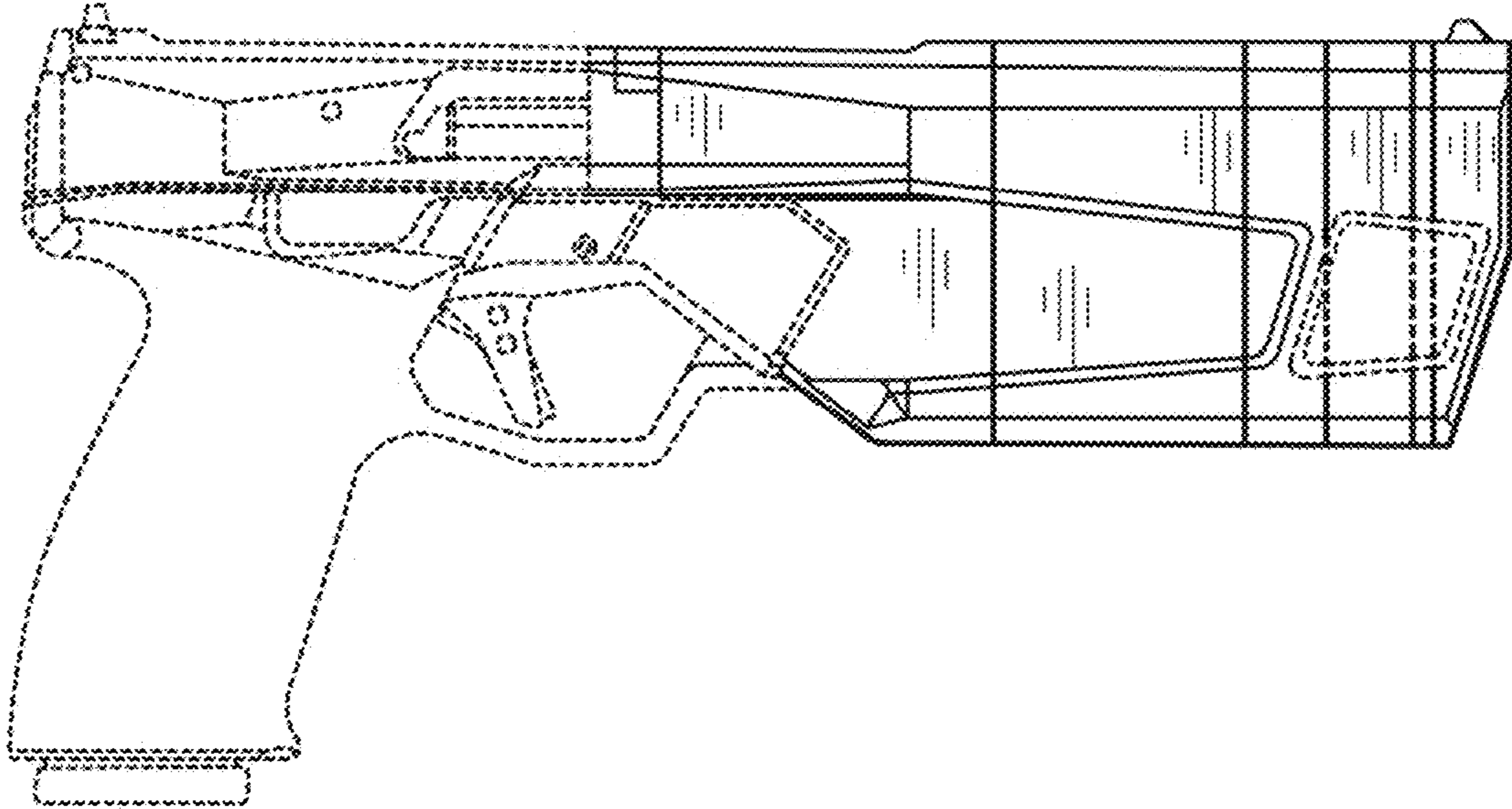


FIG. 2

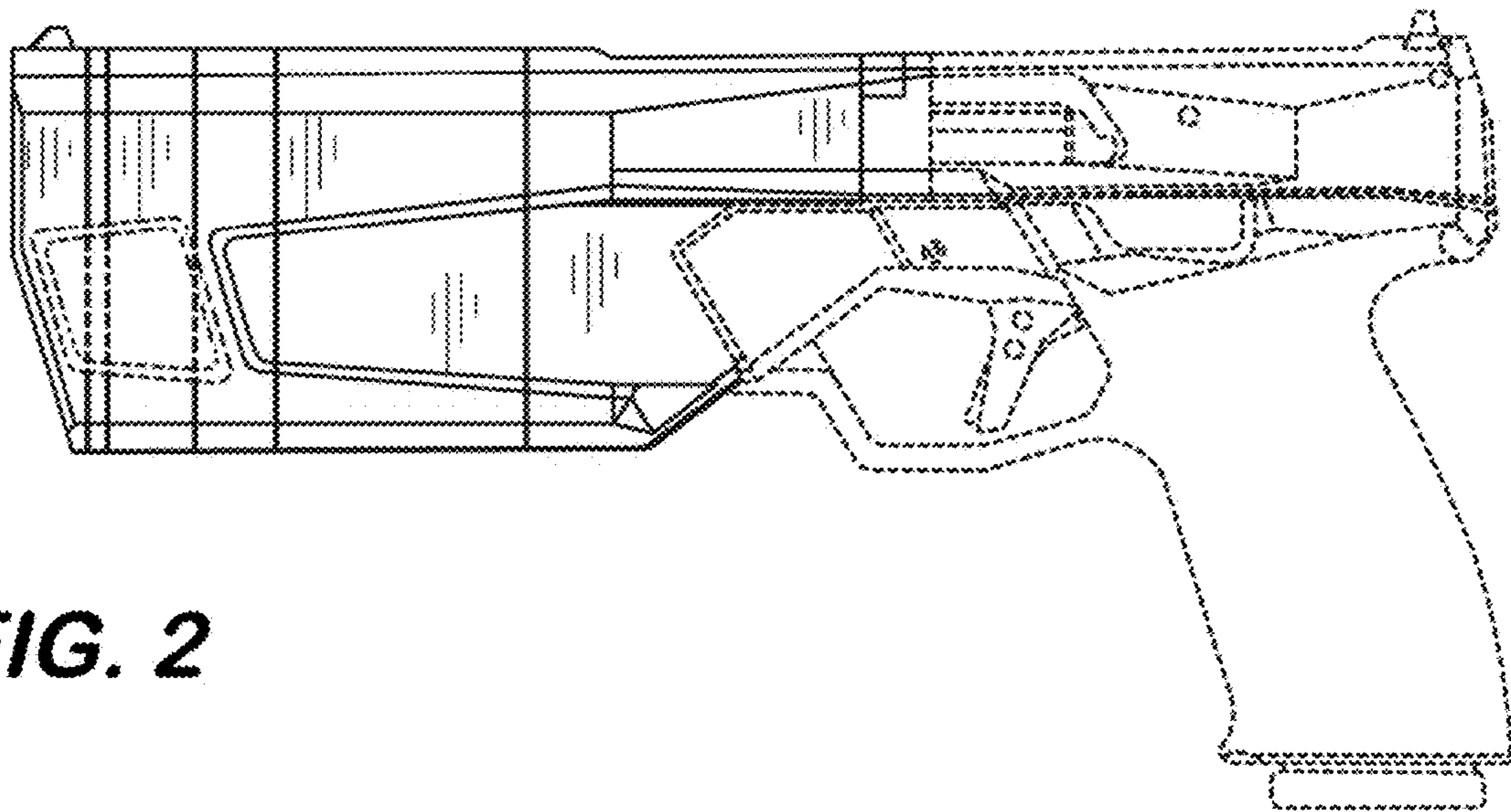


FIG. 3

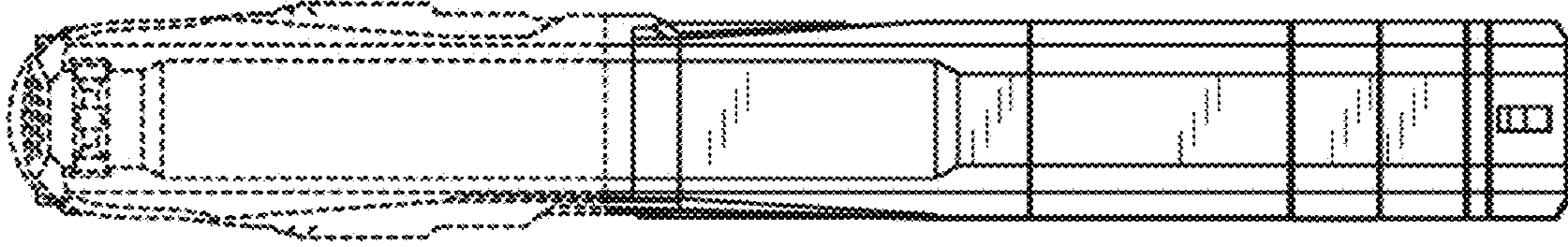


FIG. 4

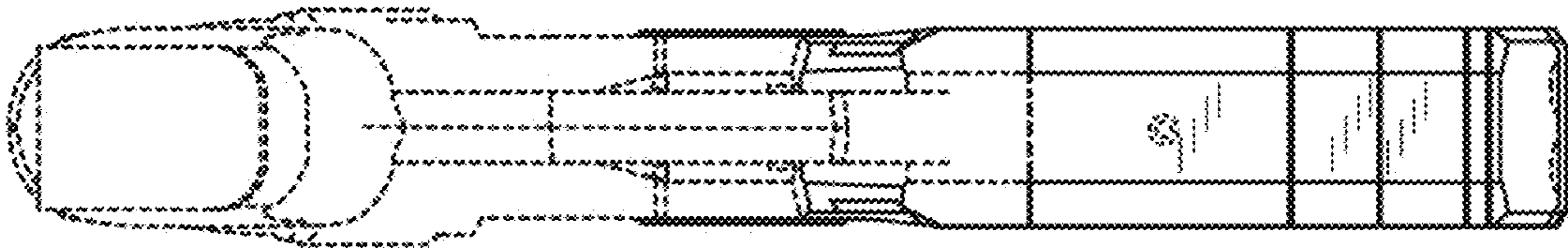


FIG. 5

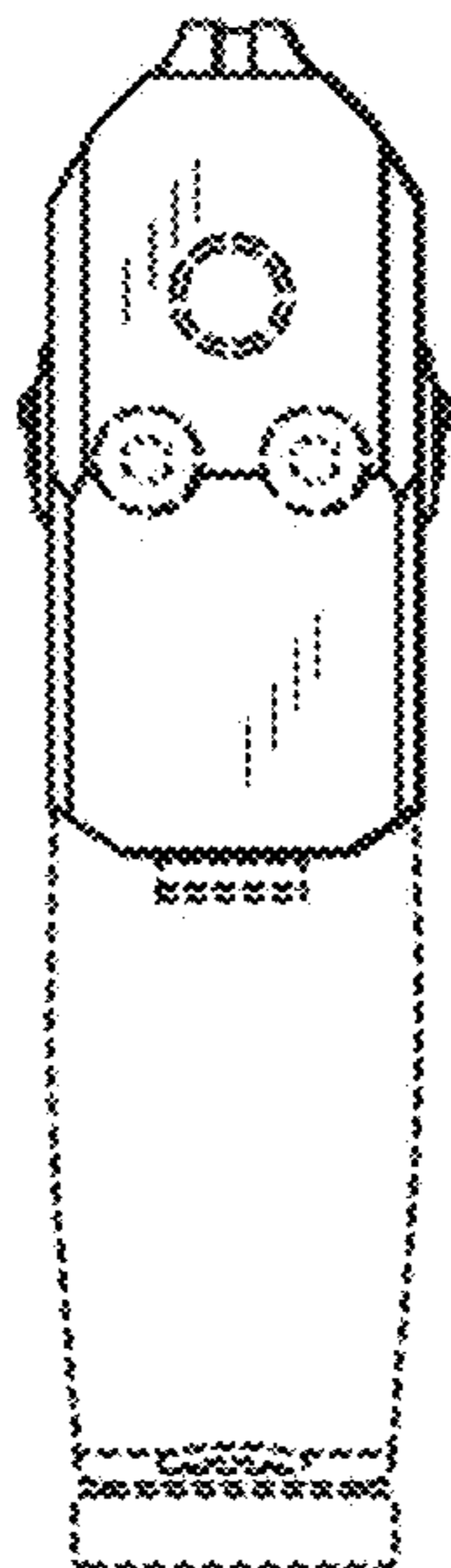


FIG. 6

